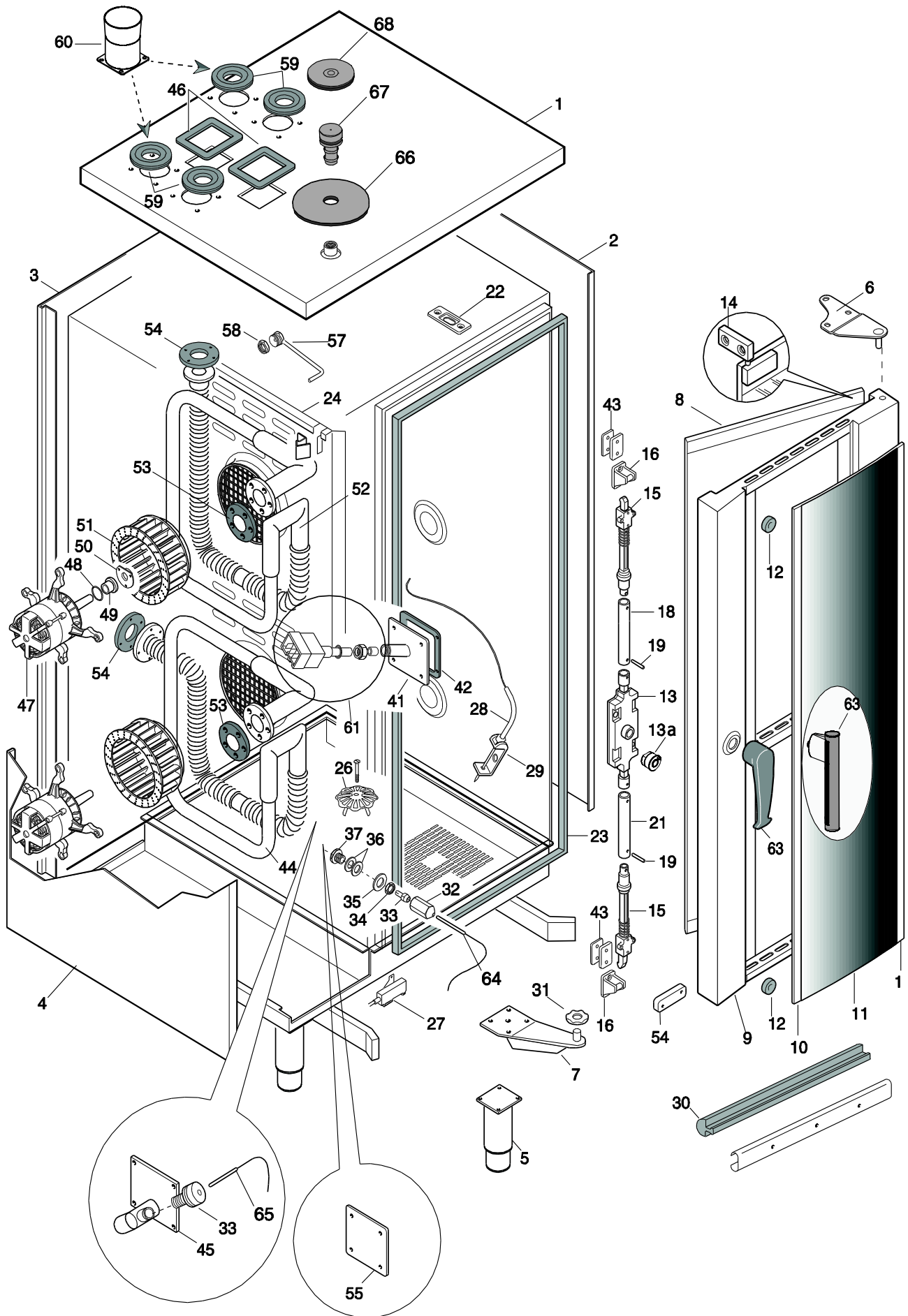
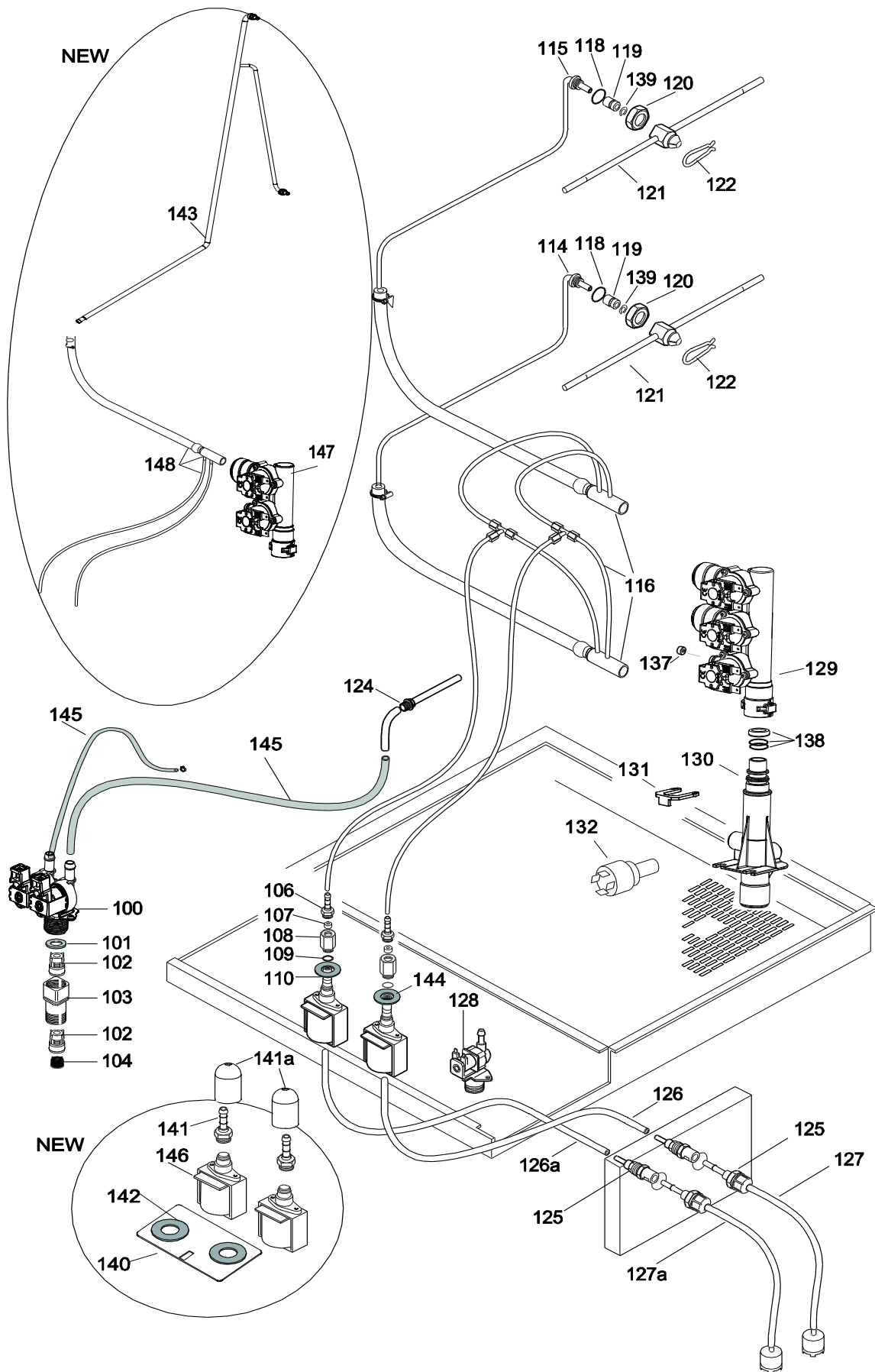


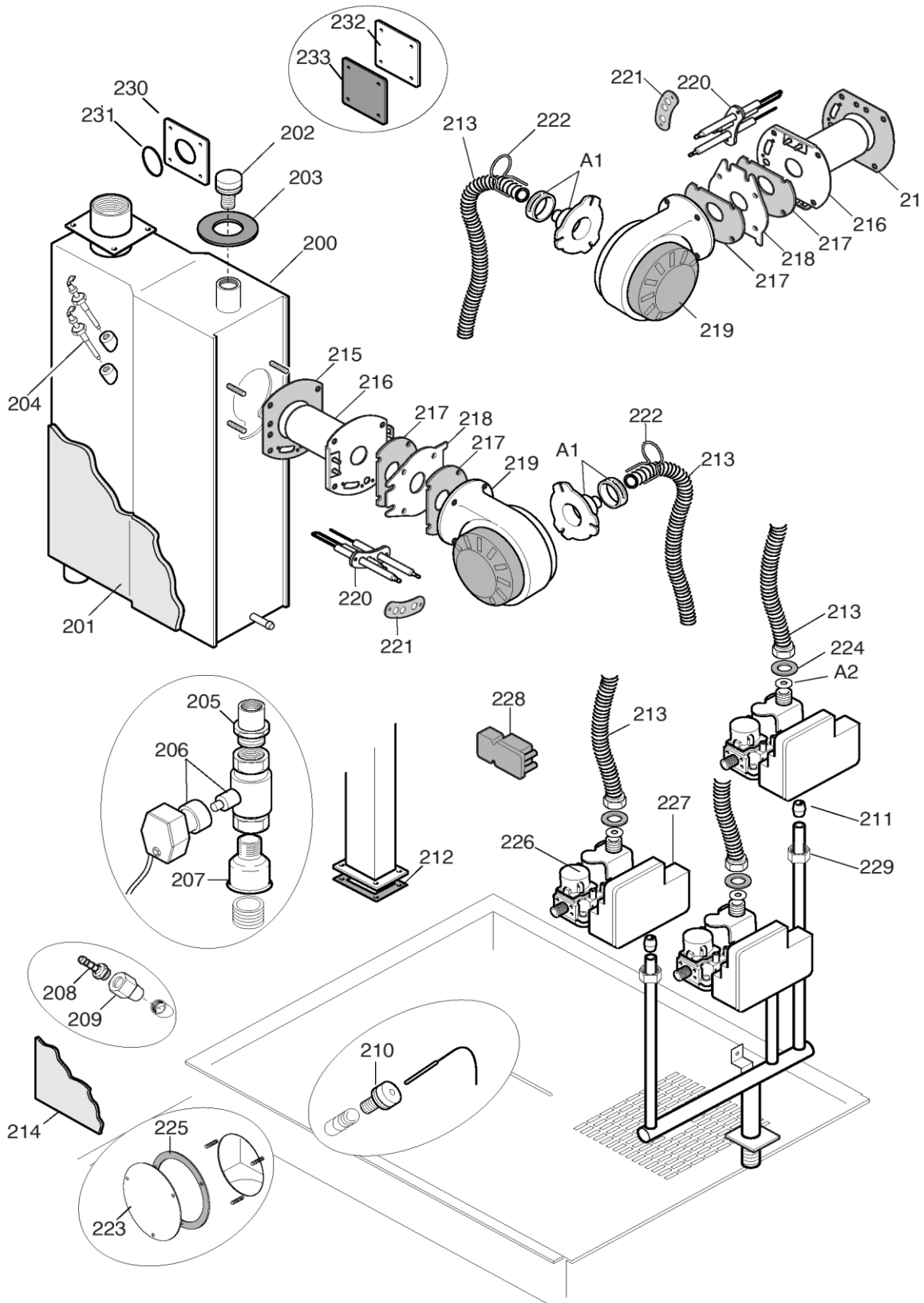
PNC	Model	Ref	Group	Level	Page	Notes
236704	FCZ201GKG1	v	FCZ	Level K	2...10	230V 50Hz STD
236714	FCZ201GKD1	z	FCZ	Level K	2...10	230V 50Hz LPG
236804	FCZ201GKZA	A1	FCZ	Level K	2...10	230V 50Hz AUS
237704	FCZ201GTG	a	FCZ	Touch	2...10	230V 50Hz STD
237714	FCZ201GTD	b	FCZ	Touch	2...10	230V 50Hz LPG
237804	FCZ201GKZA	B1	FCZ	Level K	2...10	230V 50Hz AUS
238704	FCZ201GBG2	c	FCZ	Level B	2...10	230V 50Hz STD
238714	FCZ201GBD2	d	FCZ	Level B	2...10	230V 50Hz LPG
238724	FCZ201GBL2	e	FCZ	Level B	2...10	100V 50/60Hz JAP LPG
238804	FCZ201GBZA	C1	FCZ	Level B	2...10	230V 50Hz AUS
239704	FCZ201GCG2	f	FCZ	Level C	2...10	230V 50Hz STD
239714	FCZ201GCD2	g	FCZ	Level C	2...10	230V 50Hz LPG
239804	FCZ201GCZA	D1	FCZ	Level C	2...10	230V 50Hz AUS
266704	AOS201GKG1	t	AOS	Level K	2...10	230V 50Hz STD
266714	AOS201GKD1	u	AOS	Level K	2...10	230V 50Hz LPG
266804	AOS201GCZA	E1	AOS	Level C	2...10	230V 50Hz AUS
267704	AOS201GTG1	h	AOS	Touch	2...10	230V 50Hz STD
267714	AOS201GTD1	i	AOS	Touch	2...10	230V 50Hz LPG
267754	AOS201GTP1	l	AOS	Touch	2...10	120V 60Hz USA
267784	AOS201GTW1	m	AOS	Touch	2...10	230V 50Hz UK
267804	AOS201GTZA	F1	AOS	Touch	2...10	230V 50Hz AUS
268704	AOS201GBG2	n	AOS	Level B	2...10	230V 50Hz STD
268714	AOS201GBD2	o	AOS	Level B	2...10	230V 50Hz LPG
268784	AOS201GBW2	p	AOS	Level B	2...10	230V 50Hz UK
268804	AOS201GBZA	G1	AOS	Level B	2...10	230V 50Hz AUS
269704	AOS201GCG2	q	AOS	Level C	2...10	230V 50Hz STD
269714	AOS201GCD2	r	AOS	Level C	2...10	230V 50Hz LPG
269784	AOS201GCW2	s	AOS	Level C	2...10	230V 50Hz UK
269804	AOS201GCZA	H1	AOS	Level C	2...10	230V 50Hz AUS

Pag	Index	Indice	Note
2	Oven cabinet and door.	Cella forno e porta	
3	Water system	Impianto idraulico	
4	Boiler	Boiler	
5	Electrical components	Componenti elettrici	
6	Accessories	Accessori	
7...10	Spare parts list	Lista ricambi	

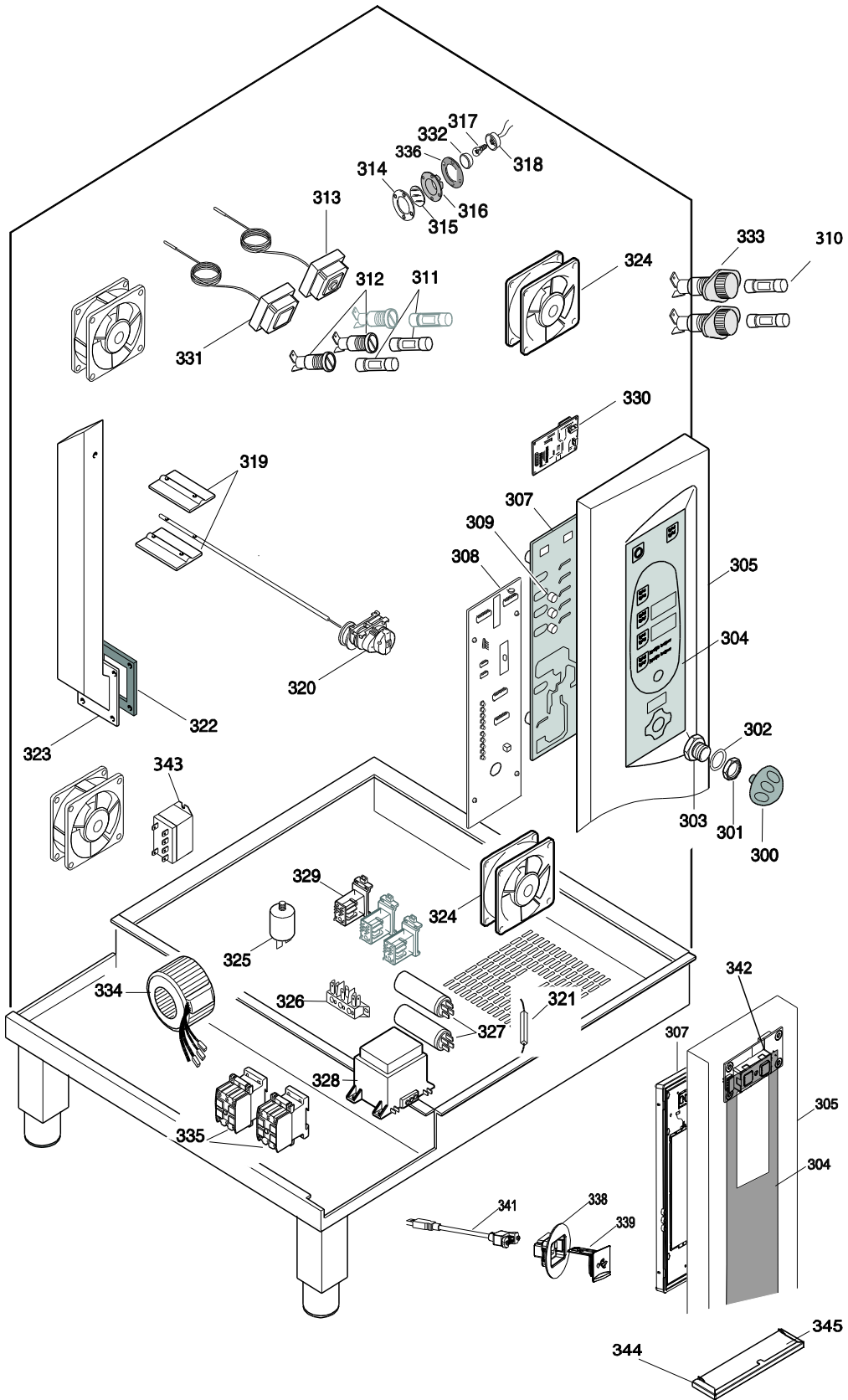
Brand/Marchio: All
Factory code: 9PDD

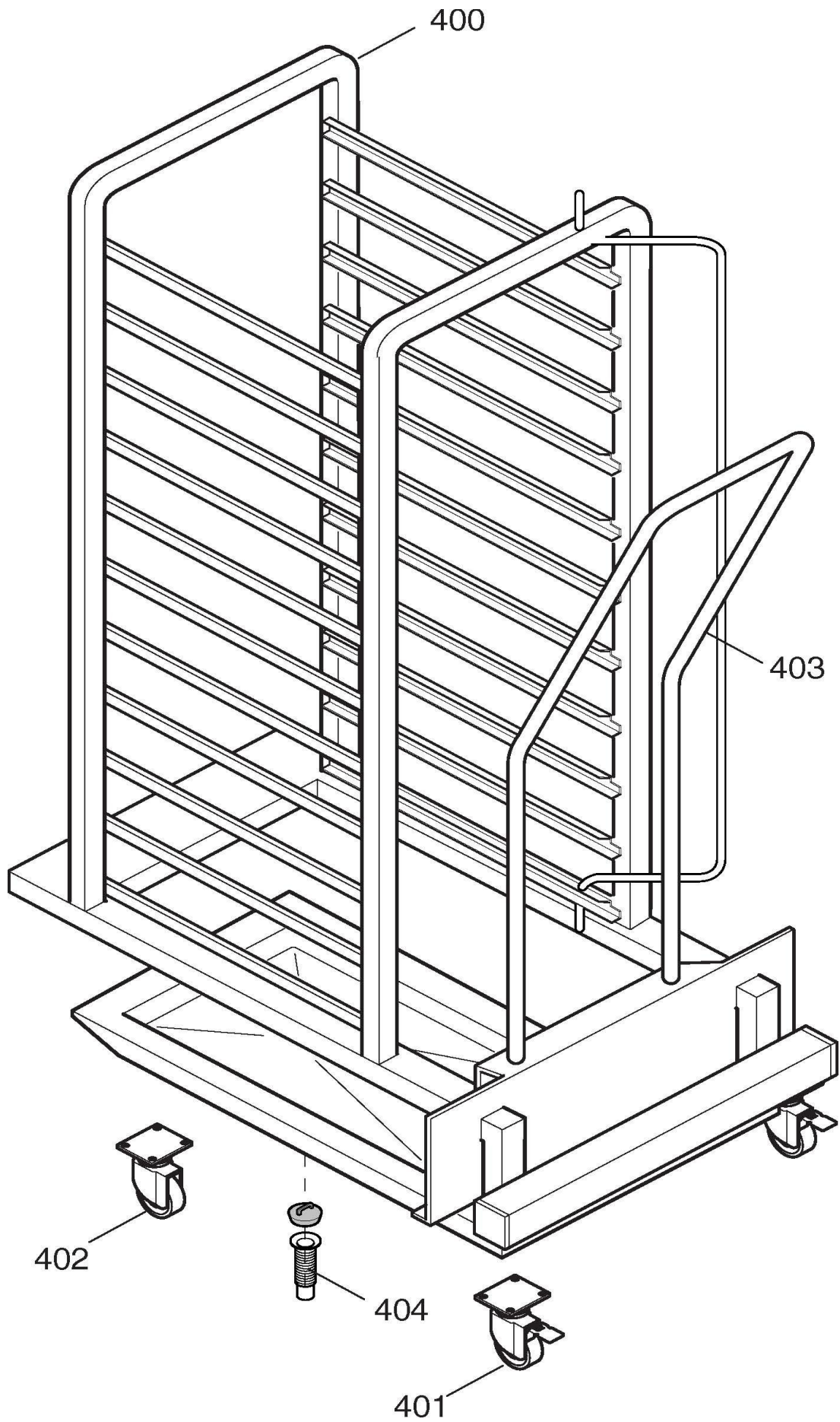






GAS	POS. A1 CELLA/CAVITY	POS. A1 BOILER	POS. A2 CELLA/CAVITY	POS. A2 BOILER	POS. 218 CELLA/CAVITY	POS. 218 BOILER
G20	OC1045 (ROSSA/RED)	OC4629 (VERDE/GREEN)	OC1139 (ø 7)	OC2444 (ø 7,5)	OC4110 (ø 18)	OC4125 (ø 21)
G25	OC1045 (ROSSA/RED)	OC4629 (VERDE/GREEN)	OC1141 (ø 8)	OC5236 (ø 9)	OC4110 (ø 18)	OC4125 (ø 21)
G30	OC1045 (ROSSA/RED)	OC4629 (VERDE/GREEN)	OC2442 (ø 5.5)	OC2446 (ø 5,8)	OC4110 (ø 18)	OC4110 (ø 18)
LPG	OC1045 (ROSSA/RED)	OC4629 (VERDE/GREEN)	OC1140 (ø 5.7)	OC1142 (ø 6,15)	OC4110 (ø 18)	OC4110 (ø 18)





20 GN 1/1 GAS CONVECTION / STEAMER OVEN
FORNO CONVEZIONE / VAPORE GAS 20 GN 1/1

<i>Pos</i>	<i>Factory Code</i>	<i>6DGT Code</i>	<i>Descrizione</i>	<i>Description</i>	<i>Ref./Note</i>
			Pagina 2	Page 2	
1	0530892100	0C6185	COPERCHIO	COVER	
1	0530892300	0C6187	COPERCHIO	COVER	For Lev. C,K
2	0538832001	0C6205	FIANCO DX	RIGHT SIDE PANEL	
3	0538834001	0C6207	SCHIENALE	BACK PANEL	
4	0538834501	0C6209	FIANCO SX	LEFT SIDE PANEL	
5	0806871700	0C4824	PIEDE	FOOT	
6	0512816004	007086	CERNIERA SUPERIORE	UPPER HINGE	
7	0806843301	0C2483	CERNIERA INFERIORE	LOWER HIGE	
8	0873870102	0C5083	ASS. VETRO INTERNO	ASS. INNER GLASS	
9	0879400802	0C6603	PORTA COMPLETA NO VETRO ESTERNO	COMPLETE DOOR NO EXTERNAL GLASS	
10	0530873600	0C4970	PROFILO FERMAVETRO DX	RIGHT TRIM	
10	0530873700	0C4971	PROFILO FERMAVETRO SX	LEFT TRIM	
11	0574815303	0C6561	VETRO ESTERNO	EXTERNAL GLASS	For AOS
11	0574818701	0C4945	VETRO ESTERNO	EXTERNAL GLASS	For FCZ
12	0543828001	006976	AMMORIZZATORE	DAMPER	
*	0856808701	0C4119	ASSIEME CHIUSURA	ASS LOCK MECHANISM	
13	0853821500	003824	CORPO CHIUSURA	CORE DOOR LOCK MECHANISM	
13a	0806873501	0C8627	BOCCOLA	BUSH	
14	0806822000	007007	CERNIERA VETRO INTERNO	HINGE, INNER GLASS	
15	0853821600	003822	MECCANISMO DI ESTREMITA'	HOOK	
16	0538804900	0C3802	NASELLO CHIUSURA PORTA	CATCH DOOR CLOSING	
18	0513800501	0C4309	ASTA SUPERIORE	SUP. LEVER DOOR LOCK MEC.	
19	0214593100	0H6043	SPINA ELASTICA	SPRING COTTER	
20					
21	0513801100	0C4310	ASTA INFERIORE	INF. LEVER DOOR LOCK MEC.	
22	0543839700	0C4088	GUARNIZIONE FLANGIA SPILLONE	GASKET	
23	0543833700	0C1473	GUARNIZIONE CELLA	CAVITY GASKET	
24	0831849103	0C4798	PARETE DI ASPIRAZIONE	SUCTION WALL	
26	0518808600	0C1740	FILTRO FONDO	FILTER	
27	0654600000	049621	INTERRUTTORE MAGNETICO	MAGNETIC SWITCH	
28	0830400B01	0C6574	SONDA SPILLONE MULTIPOINT	MEAT PROBE MULTIPOINT	For Level Touch
28	0830400A01	0C6573	SONDA SPILLONE SINGOLO	MEAT PROBE SINGLE POINT	For Level B, C,K
29	0527865200	0C1505	SUPPORTO SPILLONE	MEAT PROBE SUPPORT	
30	0543839501	0C4121	GUARNIZIONE	GASKET	
31	0510815700	002653	POSIZIONATORE	POSITIONER	
32	0516855300	006991	DADO SONDA CELLA	NUT, CAVITY PROBE	
33	0543842600	0C4872	TAPPO PER SENSORE	STOPPER FOR SENSOR	
34	0214105101	020997	CONTRODADO	LOCK NUT	
35	0508838701	002700	RONDELLA	WASHER	
36	0543816300	002624	TENUTA	GASKET	
37	0516809400	002623	RACCORDO SONDA CELLA	CONNECTION, CAVITY PROBE	
41	0806857201	0C4244	CONDOTTO SONDA LAMBDA	DUCT, LAMBDA PROBE	For Level Touch
42	0543838300	0C4093	GUARNIZIONE	GASKET	
43	0538807400	0C4122	DISTANZIALE 20/10	SPACER 20/10	
44	0831829601	0C4986	ASS.SCAMBIATORE INFERIORE	LOWER HEAT HEXCHANGER	
45	0806856300	0C4311	CONDOTTO BY-PASS	BY-PASS DUCT	For Level B
46	0543832100	0C1194	GUARNIZIONE CONDOTTO ARIA	GASKET AIR DUCT	
47	0611806001	006998	MOTORE	MOTOR	For Level Touch, B
47	0611809000	0C5287	MOTORE	MOTOR	For Level C,K
47	0611806901	0C1882	MOTORE	MOTOR	For 100V,120V 60Hz
48	0543816700	002873	O RING	O RING	
49	0516808902	002699	CUSCINETTO	BEARING	
50	0538815401	0C4138	FLANGIA	FLANGE	
51	0835400800	0C6463	VENTOLA	FAN	For Level Touch B
52	0831828701	0C4318	ASS.SCAMBIATORE SUP	UPPER HEAT HEXCHANGER	

20 GN 1/1 GAS CONVECTION / STEAMER OVEN
FORNO CONVEZIONE / VAPORE GAS 20 GN 1/1

<i>Pos</i>	<i>Factory Code</i>	<i>6DGT Code</i>	<i>Descrizione</i>	<i>Description</i>	<i>Ref./Note</i>
53	0543830700	0C1036	GUARNIZIONE FLANGIA SCAMB	GASKET	
54	0543831301	0C1132	GUARNIZIONE TUBO SCAMBIAT	GASKET	
55	0527898900	0C4857	PIASTRA CHIUSURA	FLANGE	For Level C,K
56	0699603700	049627	MAGNETE	MAGNET	
57	0856828400	0C4975	CONDOTTO UMIDIFICATORE	HUMIDIFIER PIPNG	For Level C,K
58	0516887101	0C6228	DADO CONDOTTO	NUT HUMIDIFIER	For Level C,K
59	0543844600	0C6200	GUARNIZIONE CAMINO	GASKET	
60	856810703	0C4868	ADATTATORE CAMINO	ADAPTER FOR CHIMNEY	For Australia models
61	-	0C6465	KIT SONDA LAMBDA	LAMBDA KIT	for level TOUCH
63	0806873601	0C8719	MANIGLIA COMPLETA	COMPLETE DOOR HANDLE	for FCZ Group
63	0830400200	0C6568	MANIGLIA COMPLETA	COMPLETE DOOR HANDLE	for AOS Group
64	0830898902	0C6538	SENSORE TEMPERATURA	TEMP. PROBE	
65	0830899101	0C6539	SENSORE TEMPERATURA	TEMP. PROBE	
66	0543400900	0C7016	GUARNIZIONE PER TUBO	PIPE GASKET	
67	0543816601	002692	TAPPO CARICO DISINCROST.	RECHARGE CAP FOR SCALER	
68	0543843201	0C4965	GOMMINO CHIUSURA ING.DISIN	GASKET	
			Pagina 3	Page 3	
100	0696808400	0C5517	ELETTROVALVOLA 2 VIE	WATER VALVE 2 WAYS	for Level Touch,B
101	0543840600	0C4096	GUARNIZIONE FILTRO REFLEX	GASKET	for Level Touch,B
102	0549801800	0C2312	VALVOLA NON RITORNO	NOT RE-FLOW VALVE	for Level Touch,B
103	0516879400	0C2313	RACCORDO ENTRATA ACQUA	PIPE FITTING	for Level Touch,B
104	0543840600	0C4096	ASSIEME FILTRO	FILTER	for Level Touch,B
106	0516896102	0C4198	PORTAGOMMA	CONNECTION	for Level Touch,B
107	0544809000	0C1117	VALVOLA NON RITORNO OF10D	VALVE	for Level Touch,B
108	0516871900	0C1116	RACCORDO PER POMPA	PUMP CONNECTION	for Level Touch,B
109	0543832300	0C1935	O. RING	OR	for Level Touch,B
110	0680801201	0C2341	POMPA	PUMP	For 50 Hz
	-	0C5371	KIT POMPA	PUMP KIT	For 50 Hz
110	0680801301	0C2342	0C2341+0C1116+0C1935 POMPA	0C2341+0C1116+0C1935 PUMP	For 60 Hz
111					
112					
113					
114	0806871100	0C6031	ASS CONDOTTO BASSO	WASHING PIPING DOWN	
115	0806870900	0C6047	ASS.CONDOTTO ALTO	WASHING PIPING UP	
116	-	0C6024	ASS. COLLETORE + TUBI	COLLECTOR+PIPING	
117					
118	0543841400	0C4201	ANELLO DI TENUTA	OR	
119	0516898301	0C4467	ATTACCO PER GETTO	CONNECTION FOR WASH ARM	
120	0516892301	0C4202	DADO	NUT	
121	0806873900	0C5503	ASSIEME GETTO ROTANTE	ROTATING WASHING JET	
122	0518807100	007026	MOLLA AGGANCIO GETTO ROTA	SPRING	
123					
124	0H22982800	007075	TUBO UMIDIFICATORE 57X2/5	PIPING	for Level Touch,B
124	0856828600	0C4977	TUBO UMIDIFICATORE	PIPING	for Level C,K
125	0831811702	0C1127	GRUPPO COLLEGAMENTO EXT.	EXTERNAL PIPING	
126	-	0C9799	TUBO FLESSIBILE 6X8mm rosso	FLEX PIPE 6x8mm red	
126a	-	0C9800	TUBO FLESSIBILE 6x8mm blu	FLEX PIPE 6x8mm blu	
127	-	0C9797	TUBO FLESSIBILE 4x6mm rosso	FLEX PIPE 4x6mm rosso	
127a	-	0C9798	TUBO FLESSIBILE 4x6mm blu	FLEX PIPE 4x6mm blu	
128	0696808200	0C5515	ELETTROVALVOLA	WATER VALVE	for Level C,K
128	0696808801	0C6170	ELETTROVALVOLA	WATER VALVE	for Level B
129	0696400400	0C6407	GRUPPO VALVOLE CLEANYNG	VALVE GROUP C.S.	for Level C,K
129	0696400200	0C6371	GRUPPO VALVOLE CLEANYNG	VALVE GROUP C.S.	For 60Hz
129	0696808700	0C6372	GRUPPO VALVOLE CLEANYNG	VALVE GROUP C.S.	For level TOUCH,B
130	0831857200	0C6370	ASSIEME COLLETORE LAVAGGIO	CONNECTION,C.S.	

20 GN 1/1 GAS CONVECTION / STEAMER OVEN
FORNO CONVEZIONE / VAPORE GAS 20 GN 1/1

<i>Pos</i>	<i>Factory Code</i>	<i>6DGT Code</i>	<i>Descrizione</i>	<i>Description</i>	<i>Ref./Note</i>
131	0546825100	0C6222	FORCELLA SICUREZZA	CLIP	
132	0646817200	0C6217	PRESSOSTATO ATTACCO RAPID	CONNECTION FOR WASH	
137	-	0C6375	KIT RIDUTTORI	FLOW REDUCER KIT	
138	-	061303	KIT O-RING +BUSSOLA	O-RING +BUSH KIT	
139	0219035015	0C6421	ANELLO ELASTICO	ELASTIC RING	
140	0505401R00	0C7924	PIASTRINA FISSAGGIO POMPE	FIXING PLAQUE	
141	0544400C01	0C8348	VITE TTL	TTL SCREW	Up to 5151... From 5161...
141	0544400C02	0CA348	VITE TTL	TTL SCREW	
141a	0546400J00	0C9538	CAPPUCCIO DI PROT.	PROTECTION CAP	
142	0543400R00	0C7925	PASSACAVO	WIRING BUSH	
143	0805402400	0C8328	TUBO EXT	EXT. PIPE	
144	0246530100	005382	GOMMINO	GASKET	
145	0544819400	0C5829	TUBO EPDM BLU	EPDM PIPE	
146	0686400100	0C8347	POMPA DEFOND PHOENIX	PHOENIX DEFOND PUMP	Up to 4441...
146	0686400201	0CA112	POMPA CEME	CEME PUMP	From 4451...
147	0835400L00	0C8683	GRUPPO ENTRATA ACQUA	GROUP WATER INLET	
147	0835400M00	0C8684	GRUPPO ENTRATA ACQUA	GROUP WATER INLET	For level C,K
148	0805400402	0C8458	ASS. COLLETORE + TUBI	COLLECTOR+PIPING	
			Pagina 4	Page 4	
200	0878401C00	0C9668	KIT ASSIEME BOILER	BOILER ASS.Y KIT	for Level Touch, B for Level Touch, B for Level Touch, B for Level Touch, B for Level Touch, B
201	0560852501	0C4123	KIT ISOLAMENTO	KIT ISOLATION	
202	0543816601	002692	TAPPO	STOPPER	
203	0543817500	002634	GUARNIZIONE	GASKET	
204	0830890500	007033	SONDA DI LIVELLO	LEVEL PROBE	
205	0516809501	007117	RACCORDO PER VALVOLA	CONNECTION	
206	0696804201	0C0882	VALV.SFERA MOTORIZZATA	DRAIN VALVE	
206	0696808500	0C5518	VALV.SFERA MOTORIZZATA	DRAIN VALVE	
207	0511817600	007040	MANICOTTO RIDOTTO	CONNECTION	
208	0510828000	0C5564	RESCA D12 FILETT 1/4' GAS	PIPE CONNECTION	
209	0516879600	0C4099	UGELLO 'ELPIS'1/4'FD3.5-3/8'M	NOZZLE	
210	0543842600	0C4872	TAPPO PER SENSORE	STOPPER FOR SENSOR	
211	0515801715	052671	BICONO X TUBO DA 16	SEAL	
212	0543832400	0C4133	GUARNIZIONE AIR BREAK	AIR BREAK GASKET	
213	0517877001	0C1084	CONDUTTURA L= 330MM	PIPING, GAS L=330MM	
213	0517874801	0C1052	CONDUTTURA L= 508 MM	PIPING, GAS L= 508 MM	
214	0560840803		KIT ISOLAMENTO AIR BREAK	KIT ISOLATION	
215	0543838200	0C4101	GUARNIZIONE BRUCIATORE LWZ	GASKET	
216	0831827502	0C4289	BRUCIATORE	BURNER	
217	0543838100	0C4102	GUARNIZIONE PER VENTILATORE	FAN GASKET	
218	0538819002	0C4110	FLANGIA VENTILATORE	FAN FLANGE	
219	0611808300	0C4103	VENTILATORE	FAN	
220	0831846502	0C4462	CANDELINA DI ACC. E RIL.	IGNITION ROD	
221	0543841100	0C4104	GUARNIZIONE CANDELINA	ROD GASKET	
222	0518807600	0C1044	MOLLA	SPRING	
223	0J89061403	0C3443	PORTELLO ISPEZIONE	INSPECTION COVER	
224	0543840600	0C4096	GUARNIZIONE	GASKET	
225	0543400000	0C7033	GUARNIZIONE PORTELLO	GASKET	for level TOUCH
226	0835859601	0C1057	VALVOLA GAS	GAS VALVE	for 120V 60 Hz Models
226	0835867200	0C1879	VALVOLA GAS	GAS VALVE	
227	0624810800	0C4260	CENTRALINA	IGNITION BOARD	
228	0624810600	0C4105	ACCENDITORE BRAHMA	IGNITION BOARD	
229	0516847000	0C1058	DADO	NUT	
230	0527878700	0C6449	FLANGIA TENUTA BOILER	FLANGE, BOILER	
231	0543839200	0C6450	OR TENUTA BOILER	OR BOILER	
232	0527898700	0C4856	FLANGIA CHIUSURA FORO BOILER	FLANGE	For Lev. C,K
233	0543842800	0C4963	GUARN. CHIUSURA FORO BOILER	GASKET	For Lev. C,K

20 GN 1/1 GAS CONVECTION / STEAMER OVEN FORNO CONVEZIONE / VAPORE GAS 20 GN 1/1					
<i>Pos</i>	<i>Factory Code</i>	<i>6DGT Code</i>	<i>Descrizione</i>	<i>Description</i>	<i>Ref./Note</i>
			Pagina 5	Page 5	
300	0806874001	0C5600	MANOPOLA	HANDLE	
301	0214114900	051263	CONTRODADO	LOCK NUT	
302	0508836400	002727	RONDELLA	DISK	
303	0516807301	002662	BOCCOLA	BUSH	
304	0548400600	0C6550	MEMBRANA LIV.TOUCH	LAYER LEV. TOUCH	AOS Ver.
304	0548400B00	0C6551	MEMBRANA LIV.TOUCH	LAYER LEV. TOUCH	FCZ Ver.
304	0548400G00	0C6554	MEMBRANA LIV.B	LAYER LEV. B	for Level B AOS Ver.
304	0675855001	0C4948	MEMBRANA LIV.B	LAYER LEV. B	for Level B FCZ Ver.
304	0548400K00	0C6557	MEMBRANA LIV.C	LAYER LEV. C	for Level C AOS Ver.
304	0675855102	0C4949	MEMBRANA LIV.C	LAYER LEV. C	for Level C FCZ Ver.
304	0548401H00	0C8707	MEMBRANA LIV.TOUCH "K"	LAYER LEV, TOUCH "K"	For level touch "K" AOS ver.
305	0875401B01	0C7031	CRUSCOTTO + MEMBRANA TOUCH	CONTROL PANEL + LAYER TOUCH	for TOUCH AOS Group
305	0870400902	0C6586	CRUSC. LIV.TOUCH (NO MEMBR.)	CONT.PANEL TOUCH (NO LAYER)	AOS Ver.
305	0870400A00	0C6587	CRUSCOTTO LIV. B (NO MEMBR.)	CONT.PANEL LEV. B (NO LAYER)	for Level B AOS Ver.
305	0873896602	0C4908	CRUSCOTTO LIV. B (NO MEMBR.)	CONT.PANEL LEV. B (NO LAYER)	for Level B FCZ Ver.
305	0870400P00	0C6597	CRUSCOTTO LIV. C (NO MEMBR.)	CONT.PANEL LEV. C (NO LAYER)	for Level C AOS Ver.
305	0873896702	0C4909	CRUSCOTTO LIV. C (NO MEMBR.)	CONT.PANEL LEV. C (NO LAYER)	for Level C FCZ Ver.
305	0548401H00	0C8709	CRUSCOTTO LIV.TOUCH "K"CON MEMBRANA	CON.PANEL TOUCH "K" WITH LAYER	For level touch "K" AOS ver.
307	675400A00	0C6571	SCHEDA USER INTERFACE LIV.TOUCH	USER INTERF. BOARD, LEV. TOUCH	for Level TOUCH,K up to 2441...
307	675400P01	0C8805	SCHEDA USER INTERFACE LIV.TOUCH	USER INTERF. BOARD, LEV. TOUCH	for Level TOUCH,K from 2451...
307	675400P03	0CA070	SCHEDA USER INTERFACE LIV.TOUCH	USER INTERF. BOARD, LEV. TOUCH	for Level TOUCH,K from 4491...
307	0675838802	0C0041	SCHEDA USER INTERFACE LIV. B	USER INTERF. BOARD, LEV. B	for Level B
307	0675854600	0C4891	SCHEDA USER INTERFACE LIV. C	USER INTERF. BOARD, LEV. C	for Level C
307	0675854602	0C7350	SCHEDA USER INTERFACE LIC.C(1/2 VEL)	USER INT. BOARD LEV.C(1/2 SPEED)	For level C(start s/n120...)
308	0675400801	0C6570	SCHEDA POWER	MAIN POWER	for Level TOUCH,K for Level B,C
308	0675400200	0C0042	SCHEDA POWER	MAIN POWER	
309	0546824600	0C5833	PROLUNGA PULSANTE	PROLONG	
310	0652804600	0C2954	FUSIBILE F 20A 10x38	FUSE F 20A 10x38	for 120V models
311	0652800901	058871	FUSIBILE RAPIDO 10 A F	FUSE FAST 10 A F	
311	0652803900	0C2301	FUSIBILE OMEGA 800MA	FUSE OMEGA 800MA	
311	0652805300	0C2237	FUSIBILE 6.3A FAST 5X20	FUSE 6.3A FAST 5X20	for 120V models
311	0652803300	0C1480	FUSIBILE RAPIDO 6.30 A	FUSE FAST 6.3 A	for 120V models
311	0652803200	0C2953	FUSIBILE 5X20 2,5A T	FUSEOMEGA 5X20 2,5A T	for 120V models
311	0652805200	0C2236	FUSIBILE 5X20 1,6A F	FUSEOMEGA 5X20 1,6A F	for 100V models
311	0652802200	005136	FUSIBILE 5X20 16A	FUSEOMEGA 5X20 16A	for 100V models
311	0652806100	-	FUSIBILE 5X20 3,15 A T	FUSEOMEGA 5X20 3,15 A T	for 100V models
312	0652802100	0F0031	PORTAFUSIBILE	FUSE HOLDER	
313	0646812200	007042	LIMITATORE, CELLA	LIMITER, CAVITY	
313	0646810802	006314	LIMITATORE, CELLA	LIMITER, CAVITY	for 120V models
314	0508840801	002628	FLANGIA	FLANGE	
315	0574804900	002627	VETRO	GLASS	
316	0543842000	002626	GUARNIZIONE	GASKET	
317	0660808300	0C4396	LAMPADA ALOGENA	HALOGEN LAMP	Up to 4361...
317	0660400100	0C9877	LAMPADA ALOGENA	HALOGEN LAMP	From 4371...
318	0660806800	007105	PORTALAMPADA	LAMP HOLDER	
319	0538804000	0C1169	FARFALLA	CLOSER	
320	0680802300	0C5501	MOTORIDUTTORE	MOTOREDCER	
320	0680802400	0C5502	MOTORIDUTTORE	MOTOREDCER	for 120V models
322	0543832200	0C1168	GUARNIZIONE	GASKET	
323	0831806402	0C1219	CONDOTTO ARIA	DUCT, AIR	

20 GN 1/1 GAS CONVECTION / STEAMER OVEN FORNO CONVEZIONE / VAPORE GAS 20 GN 1/1					
Pos	Factory Code	6DGT Code	Descrizione	Description	Ref./Note
324	0624811000	0C4106	VENTILATORE	FAN	
325	0694805900	0C4950	FILTRO ANTIDISTURBO	FILTER	
326	0639804900	046357	MORSETTIERA	TERMINAL BOARD	
327	0694604400	047541	CONDENSATORE 12.5 MF	CAPACITOR 12.5 MF	for Level A e B not for USA models
327	0694804601	0C4812	CONDENSATORE 60 MF	CAPACITOR 60 MF	For 100, 120V models
327	0694806000	0C5526	CONDENSATORE DA 8 MF	CAPACITOR 8 MF	for Level C,K
328	0624400100	0C6400	TRASFORMATORE	TRANSFORMER	
328	0624807100	007046	TRASFORMATORE	TRANSFORMER	for 120, 100V models
329	0648803001	058857	RELE	RELE	for Level A e B
329	0648723800	088086	RELE	RELE	for 120V 60Hz models
329	0648802601	056466	RELE	RELE	for 120V 60Hz models
329	0648808000	0C1883	RELE	RELE	for 120V,100V 60Hz
330	0624807002	007047	ALIMENTATORE SWITCHING	SWITCHING FEEDER	for Level A
331	0646812900	0C1147	LIMITATORE, BOILER	LIMITER, BOILER	
331	0646810902	006433	LIMITATORE, BOILER	LIMITER, BOILER	for 120V models
332	0509803900	0C4459	RIFLETTORE	REFLECTOR	
333	0652801900	004010	PORTAFUSIBILE	FUSE HOLDER	for 120V models
334	0624400000	0C6945	TRASFORMATORE	TRANSFORMER	for 120V models
338	0546400200	0C6547	VASCHETTA USB	USB PLUG	for TOUCH level
339	0541400A00	0C6546	COPERTURA USB	USB COVER	for TOUCH level
336	0543843500	0C5451	GUARNIZIONE	GASKET	
-	0633847400	0C6564	CABLAGGIO USER - POWER	MAIN TO USER CABLE	for TOUCH level
341	0638400Y00	0C6566	CAVO PROLUNGA USB	USB CABLE	for TOUCH level
-	0638400P00	0C6565	CAVO ALIMENTAZIONE USER	POWER SUPPLY CABLE USER	for TOUCH level
342	0675858601	0C8033	Tasto on-off (inter. Principale)	On-off (main switch)	For TOUCH level
343	0648722900	088267	RELE' SICUREZZA	SECURITY RELE	
344	0831851101	0C4935	ASSIEME FILTRO CRUSCOTTO	ASS. FILTER CONTROL PANEL	
345	0549400F00	0C9991	FILTRO CRUSCOTTO	FILTER CONTROL PANEL	
			Pagina 6	Page 6	
400	0853854208	007106	CARRELLO PORTA TEGLIE (P63)	TROLLEY (P63)	For P 60 Version
401	0835865000	0C1631	RUOTA CON FRENO	WHEEL WITH BRAKE	
402	0835865100	0C1632	RUOTA	WHEEL	
403	0517868200	007108	MANIGLIA	HANDLE	
404	0H21503300	006309	PILETTA DI SCARICO	DRAIN	
			SONDE DI TEMPERATURA	TEMPERATURE PROBES	
	0830898902	0C6538	SONDA CELLA (L 500)	CAVITY PROBE (L 500)	
	0830899000	0C0325	SONDA BOILER (L 800)	BOILER PROBE (L 800)	
	0830899100	0C0326	SONDA BYPASS (L 1200)	BYPASS PROBE (L 1200)	