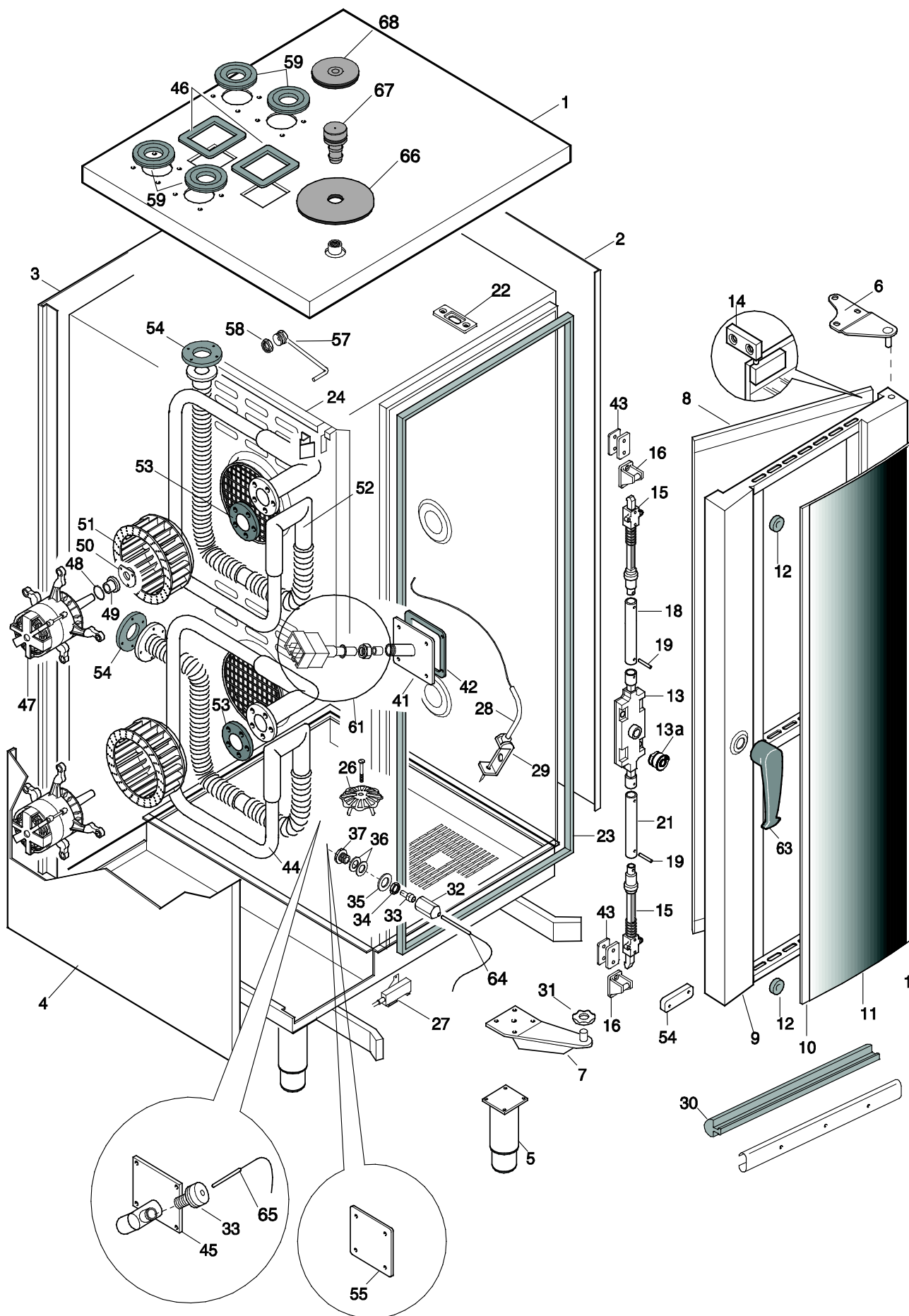
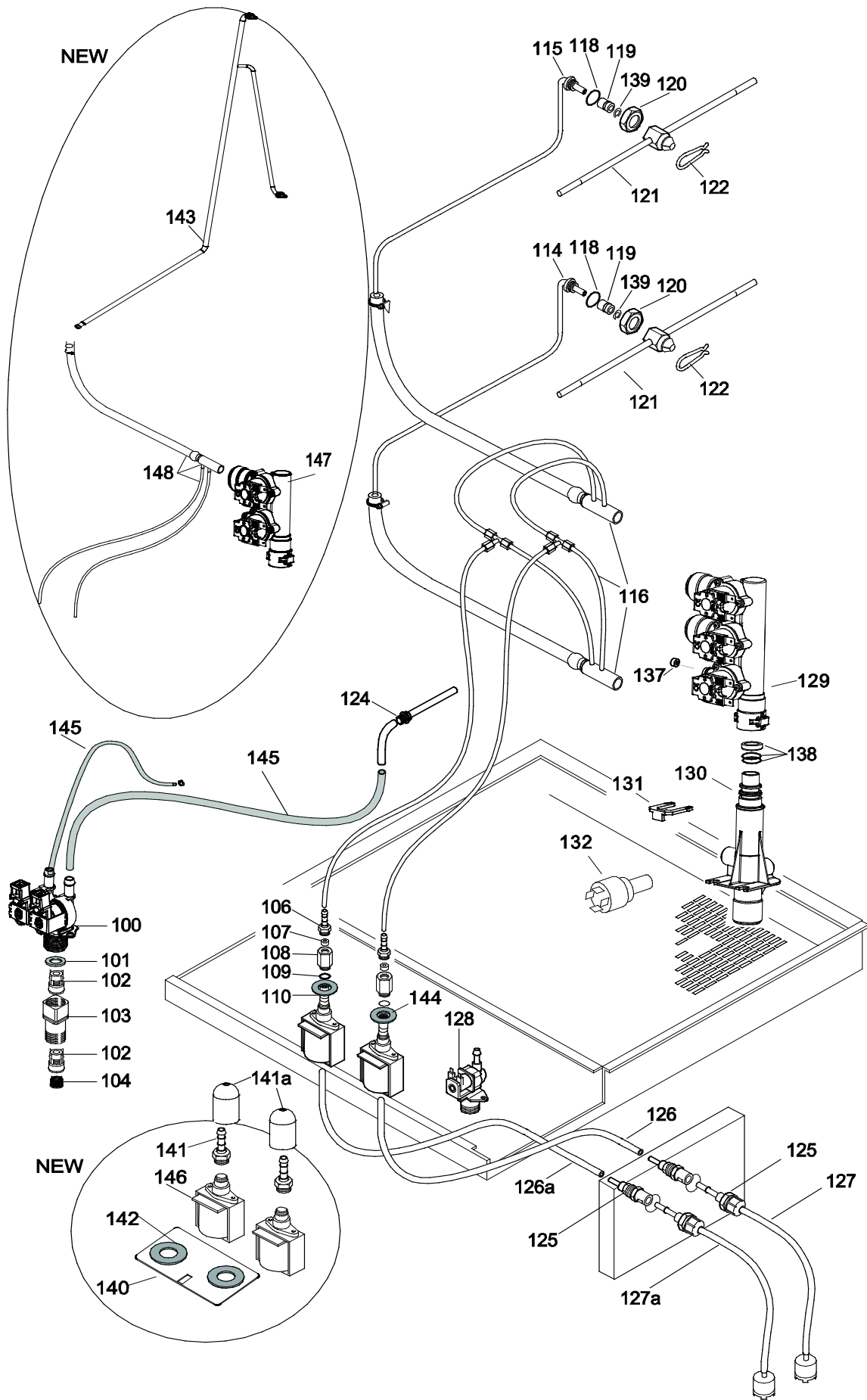


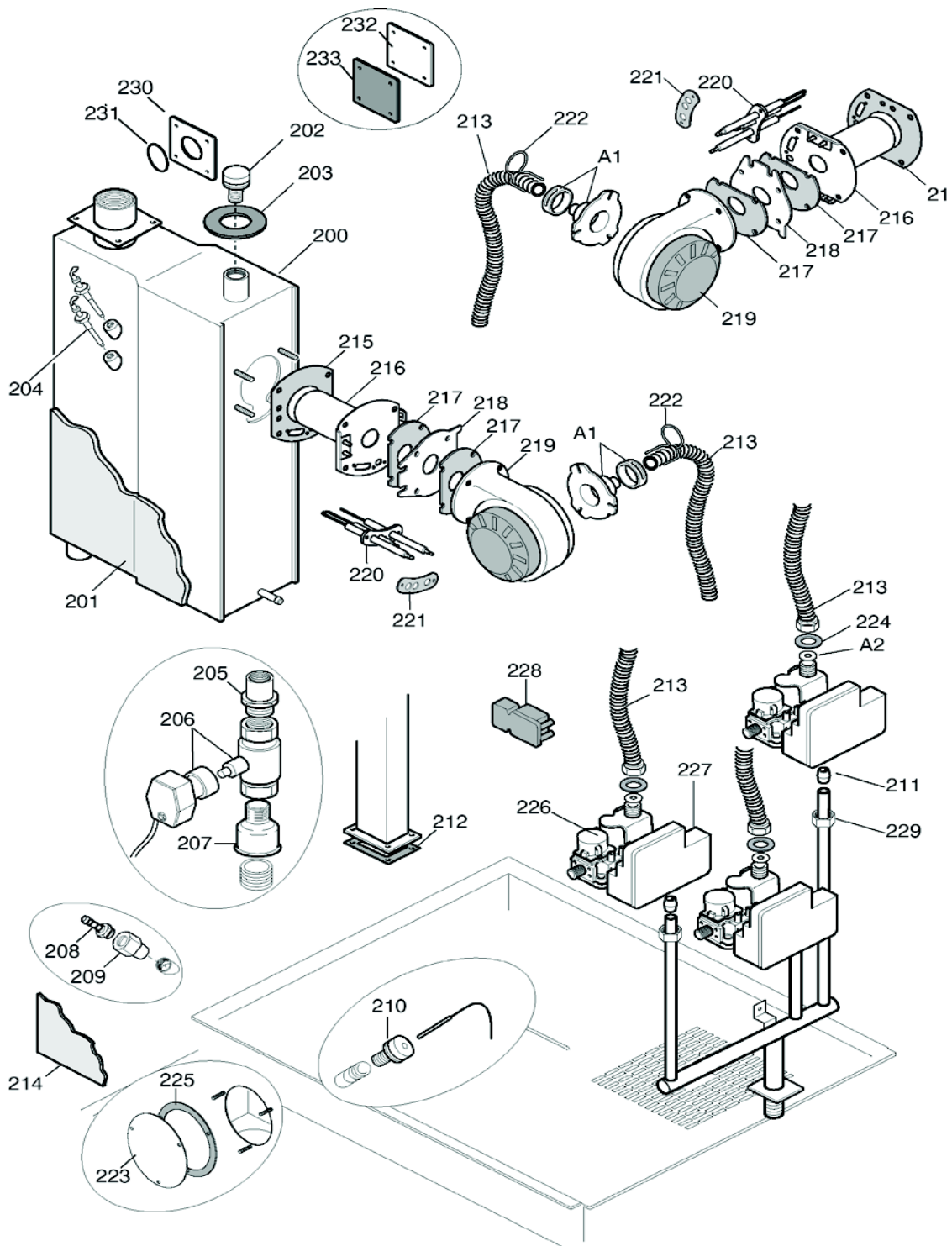
PNC	Model	Ref	Group	Level	Page	Notes
647504	EJN201GAG	a	EJN	Level A	2...10	230V 50Hz STD
647514	EJN201GAD	b	EJN	Level A	2...10	230V 50Hz LPG
647544	RDR201GAG	c	RDR	Level A	2...10	230V 50Hz STD
647574	HOR201GAG	l	HOR	Level A	2...11	230V 50Hz STD
648504	EJN201GBG	d	EJN	Level B	2...10	230V 50Hz STD
648514	EJN201GBD	e	EJN	Level B	2...10	230V 50Hz LPG
648544	RDR201GBG	f	RDR	Level B	2...10	230V 50Hz STD
<b>648714</b>	<b>FCZ201GBGE</b>	<b>n</b>	<b>EMP</b>	<b>Level B</b>	<b>2...10</b>	<b>230V 50Hz EMPERO</b>
649504	EJN201GCG	g	EJN	Level C	2...10	230V 50Hz STD
649514	EJN201GCD	h	EJN	Level C	2...10	230V 50Hz LPG
649544	RDR201GCG	i	RDR	Level C	2...10	230V 50Hz STD
649574	HOR201GCG	m	HOR	Level C	2...11	230V 50Hz STD

Pag	Index	Indice	Note
2	Oven cabinet and door.	Cella forno e porta	
3	Water system	Impianto idraulico	
4	Boiler	Boiler	
5	Electrical components	Componenti elettrici	
6	Accessories	Accessori	
7...10	Spare parts list	Lista ricambi	

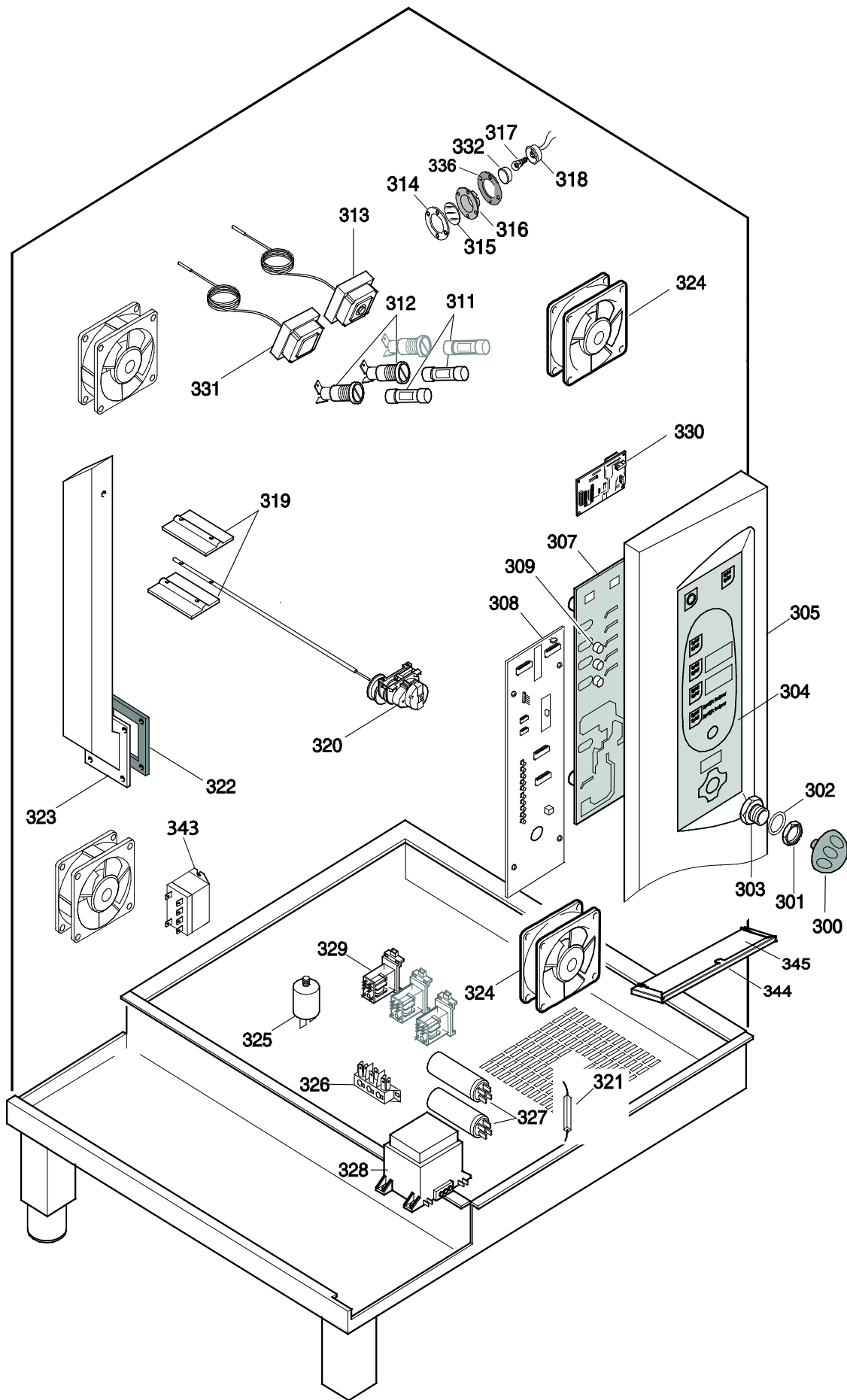
Brand/Marchio: All  
 Factory code: 9PDD

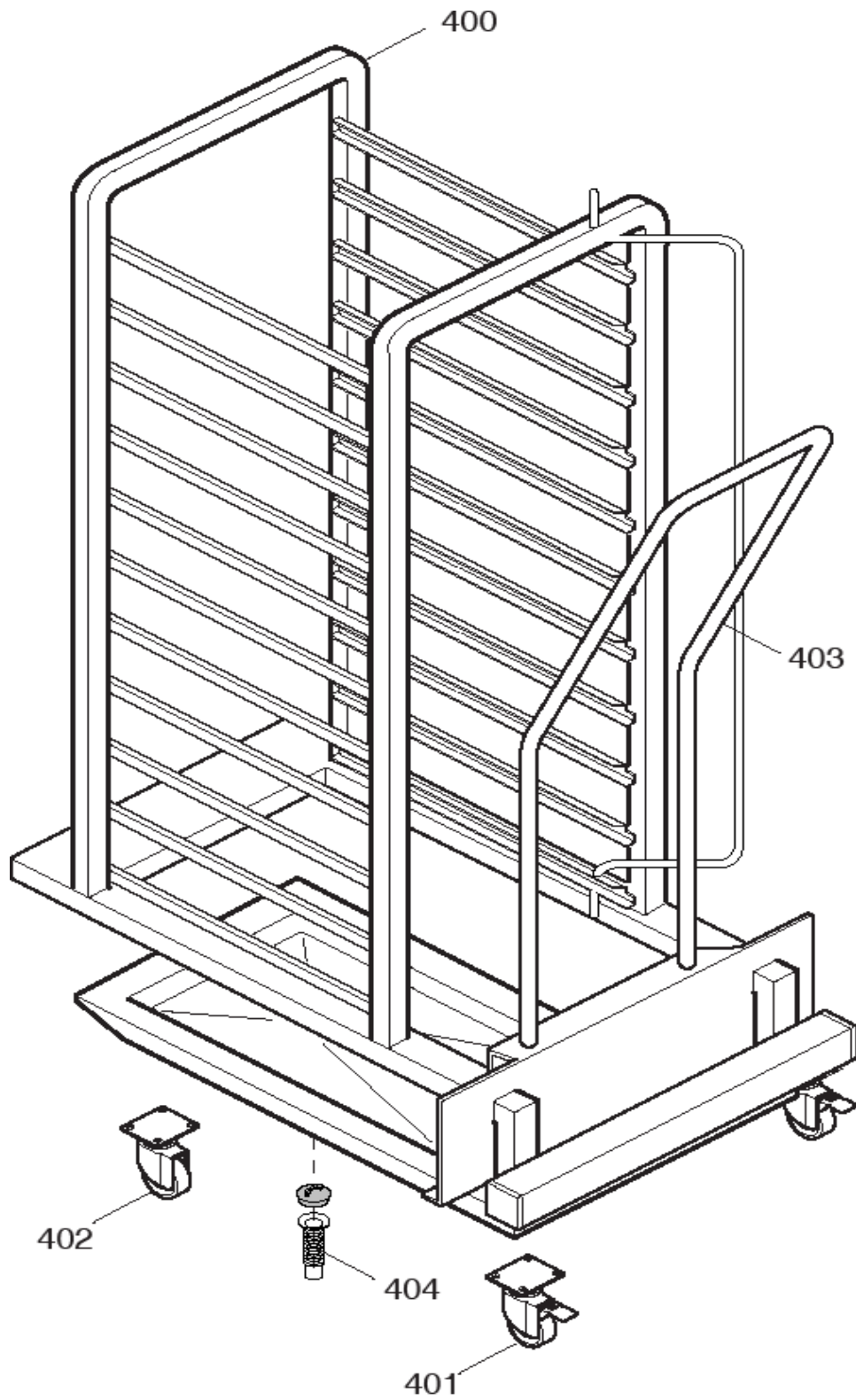






GAS	POS. A1 CELLA/CAVITY	POS. A1 BOILER	POS. A2 CELLA/CAVITY	POS. A2 BOILER	POS. 218 CELLA/CAVITY	POS. 218 BOILER
G20	OC1045 (ROSSA/RED)	OC4629 (VERDE/GREEN)	OC1139 (ø 7)	OC2444 (ø 7,5)	OC4110 (ø 18)	OC4125 (ø 21)
G25	OC1045 (ROSSA/RED)	OC4629 (VERDE/GREEN)	OC1141 (ø 8)	OC5236 (ø 9)	OC4110 (ø 18)	OC4125 (ø 21)
G30	OC1045 (ROSSA/RED)	OC4629 (VERDE/GREEN)	OC2442 (ø 5.5)	OC2446 (ø 5,8)	OC4110 (ø 18)	OC4110 (ø 18)
LPG	OC1045 (ROSSA/RED)	OC4629 (VERDE/GREEN)	OC1140 (ø 5.7)	OC1142 (ø 6,15)	OC4110 (ø 18)	OC4110 (ø 18)





20 GN 1/1 GAS CONVECTION / STEAMER OVEN FORNO CONVEZIONE / VAPORE GAS 20 GN 1/1					
Pos	Factory Code	6DGT Code	Descrizione	Description	Ref./Note
			<b>Pagina 2</b>	<b>Page 2</b>	
1	0530892100	0C6185	COPERCHIO	COVER	
1	0530892300	0C6187	COPERCHIO	COVER	For Lev. C
2	0538832001	0C6205	FIANCO DX	RIGHT SIDE PANEL	
3	0538834001	0C6207	SCHIENALE	BACK PANEL	
4	0538834501	0C6209	FIANCO SX	LEFT SIDE PANEL	
5	0806871700	0C4824	PIEDE	FOOT	
6	0512816004	007086	CERNIERA SUPERIORE	UPPER HINGE	
7	0806843301	0C2483	CERNIERA INFERIORE	LOWER HIGE	
8	0873870102	0C5083	ASS. VETRO INTERNO	ASS. INNER GLASS	
9	<b>0873875911</b>	<b>0C5069</b>	<b>PORTA COMPLETA</b>	<b>COMPLETE DOOR</b>	<b>Up to 014</b>
9	<b>0879400802</b>	<b>0C6603</b>	<b>PORTA COMPLETA</b>	<b>COMPLETE DOOR</b>	<b>From 015 to 4481</b>
9	<b>0879400803</b>	<b>0CA145</b>	<b>PORTA COMPLETA</b>	<b>COMPLETE DOOR</b>	<b>Up to 4491</b>
10	0530873600	0C4970	PROFILO FERMAVETRO DX	RIGHT TRIM	
10	0530873700	0C4971	PROFILO FERMAVETRO SX	LEFT TRIM	
11	0574819301	0C4955	VETRO ESTERNO	EXTERNAL GLASS	For EJN Version
11	0574819701	0C5009	VETRO ESTERNO	EXTERNAL GLASS	For RDR Version
11	<b>0574818701</b>	<b>0C4945</b>	<b>VETRO ESTERNO</b>	<b>EXTERNAL GLASS</b>	<b>For EMPERO</b>
12	0543828001	006976	AMMORIZZATORE	DAMPER	
*	0856808701	0C4119	ASSIEME CHIUSURA	ASS LOCK MECHANISM	
13	0853821500	003824	CORPO CHIUSURA	CORE DOOR LOCK MECHANISM	
13a	0806873501	0C8627	BOCCOLA	BUSH	
14	0806822000	007007	CERNIERA VETRO INTERNO	HINGE, INNER GLASS	
15	0853821600	003822	MECCANISMO DI ESTREMITA'	HOOK	
16	0538804900	0C3802	NASELLO CHIUSURA PORTA	CATCH DOOR CLOSING	
18	0513800501	0C4309	ASTA SUPERIORE	SUP. LEVER DOOR LOCK MEC.	
19	0214593100	0H6043	SPINA ELASTICA	SPRING COTTER	
21	0513801100	0C4310	ASTA INFERIORE	INF. LEVER DOOR LOCK MEC.	
22	0543839700	0C4088	GUARNIZIONE FLANGIA SPILLONE	GASKET	
23	0543833700	0C1473	GUARNIZIONE CELLA	CAVITY GASKET	
24	0831849103	0C4798	PARETE DI ASPIRAZIONE	SUCTION WALL	
25	0518807301	0C3423	MOLLA AGGANCIO PARETE	SPRING	
26	0518808600	0C1740	FILTRO FONDO	FILTER	
27	0654600000	049621	INTERRUTTORE MAGNETICO	MAGNETIC SWITCH	
28	0831816200	0C1404	SONDA SPILLONE 6 PUNTI	MEAT PROBE (6 POINTS)	For Level A
28	0831816100	0C1383	SONDA SPILLONE SINGOLO	MEAT PROBE (SINGLE POINT)	For Level B, C
28	<b>0830400A01</b>	<b>0C6573</b>	<b>SONDA SPILLONE SINGOLO</b>	<b>MEAT PROBE SINGLE POINT</b>	<b>For EMPERO</b>
29	0527865200	0C1505	SUPPORTO SPILLONE	MEAT PROBE SUPPORT	
30	0543839501	0C4121	GUARNIZIONE	GASKET	
31	0510815700	002653	POSIZIONATORE	POSITIONER	
32	0516855300	006991	DADO SONDA CELLA	NUT, CAVITY PROBE	
33	0543842600	0C4872	TAPPO PER SENSORE	STOPPER FOR SENSOR	
34	0214105101	020997	CONTRODADO	LOCK NUT	
35	0508838701	002700	RONDELLA	WASHER	
36	0543816300	002624	TENUTA	GASKET	
37	0516809400	002623	RACCORDO SONDA CELLA	CONNECTION, CAVITY PROBE	
38	0830891200	006995	SONDA LAMBDA	LAMBDA PROBE	For Level A
39	0214111412	050670	DADO M 20 X1,5	NUT	For Level A
40	0215170716	050682	OGIVA DA 12	OGIVA	For Level A
41	0806857201	0C4244	CONDOTTO SONDA LAMBDA	DUCT, LAMBDA PROBE	For Level A
42	0543838300	0C4093	GUARNIZIONE	GASKET	
43	0538807400	0C4122	DISTANZIALE 20/10	SPACER 20/10	
44	0831829601	0C4986	ASS.SCAMBIATORE INFERIORE	LOWER HEAT HEXCHANGER	
45	0806856300	0C4311	CONDOTTO BY-PASS	BY-PASS DUCT	For Level B
46	0543832100	0C1194	GUARNIZIONE CONDOTTO ARIA	GASKET AIR DUCT	
47	0611806001	006998	MOTORE	MOTOR	For Level A, B
47	0611809000	0C5287	MOTORE	MOTOR	For Level C
48	0543816700	002873	O RING	O RING	

**20 GN 1/1 GAS CONVECTION / STEAMER OVEN**  
**FORNO CONVEZIONE / VAPORE GAS 20 GN 1/1**

<i>Pos</i>	<i>Factory Code</i>	<i>6DGT Code</i>	<i>Descrizione</i>	<i>Description</i>	<i>Ref./Note</i>
49	0516808902	002699	CUSCINETTO	BEARING	
50	0538815401	0C4138	FLANGIA	FLANGE	
51	0835400800	0C6463	VENTOLA	FAN	For Level A, B
51	0831808400	0C1129	VENTOLA	FAN	For Level C
52	0831828701	0C4318	ASS.SCAMBIATORE SUP	UPPER HEAT HEXCHANGER	
53	0543830700	0C1036	GUARNIZIONE FLANGIA SCAMB	GASKET	
54	0543831301	0C1132	GUARNIZIONE TUBO SCAMBIAT	GASKET	
55	0527898900	0C4857	PIASTRA CHIUSURA	FLANGE	For Level C
56	0699603700	049627	MAGNETE	MAGNET	
57	0856828400	0C4975	CONDOTTO UMIDIFICATORE	HUMIDIFIER PIPNG	For Level C
58	0516887101	0C6228	DADO CONDOTTO	NUT HUMIDIFIER	For Level C
59	0543844600	0C6200	GUARNIZIONE CAMINO	GASKET	
61	-	0C6465	KIT SONDA LAMBDA	LAMBDA KIT	For Level A
63	0806873601	0C8719	MANIGLIA COMPLETA	COMPLETE DOOR HANDLE	
64	0830898902	0C6538	SENSORE TEMPERATURA	TEMP. PROBE	
65	0830899101	0C6539	SENSORE TEMPERATURA	TEMP. PROBE	
66	0543400900	0C7016	GUARNIZIONE PER TUBO	PIPE GASKET	
67	0543816601	002692	TAPPO CARICO DISINCROST.	RECHARGE CAP FOR SCALER	
68	0543843201	0C4965	GOMMINO CHIUSURA ING.DISIN	GASKET	
			<b>Pagina 3</b>	<b>Page 3</b>	
100	0696808400	0C5517	ELETTROVALVOLA 2 VIE	WATER VALVE 2 WAYS	for Level A,B
101	0543840600	0C4096	GUARNIZIONE FILTRO REFLEX	GASKET	for Level A,B
102	0549801800	0C2312	VALVOLA NON RITORNO	NOT RE-FLOW VALVE	for Level A,B
103	0516879400	0C2313	RACCORDO ENTRATA ACQUA	PIPE FITTING	for Level A,B
104	0543840600	0C4096	ASSIEME FILTRO	FILTER	for Level A,C
106	0516896102	0C4198	PORTAGOMMA	CONNECTION	for Level A,C
107	0544809000	0C1117	VALVOLA NON RITORNO OF10D	VALVE	for Level A,C
108	0516871900	0C1116	RACCORDO PER POMPA	PUMP CONNECTION	for Level A,C
109	0543832300	0C1935	O. RING	OR	for Level A,C
110	0680801201	0C2341	POMPA	PUMP	for Level A, C
111					
112					
113					
114	0806871100	0C6031	ASS CONDOTTO BASSO	WASHING PIPING DOWN	for Level A,C
115	0806870900	0C6047	ASS.CONDOTTO ALTO	WASHING PIPING UP	for Level A,C
116	-	0C6024	ASS. COLLETORE + TUBI	COLLECTOR+PIPING	for Level A,C
117					
118	0543841400	0C4201	ANELLO DI TENUTA	OR	for Level A,C
119	0516898301	0C4467	ATTACCO PER GETTO	CONNECTION FOR WASH ARM	for Level A,C
120	0516892301	0C4202	DADO	NUT	for Level A,C
121	0806873900	0C5503	ASSIEME GETTO ROTANTE	ROTATING WASHING JET	for Level A,C
122	0518807100	007026	MOLLA AGGANCIO GETTO ROTA	SPRING	for Level A,C
123					
124	0H22982800	007075	TUBO UMIDIFICATORE 57X2/5	PIPING	for Level A,B
124	0856828600	0C4977	TUBO UMIDIFICATORE	PIPING	for Level C
125	0831811702	0C1127	GRUPPO COLLEGAMENTO EXT.	EXTERNAL PIPING	for Level A,C
126	-	0C9799	TUBO FLESSIBILE 6X8mm rosso	FLEX PIPE 6x8mm red	
126a	-	0C9800	TUBO FLESSIBILE 6x8mm blu	FLEX PIPE 6x8mm blu	
127	-	0C9797	TUBO FLESSIBILE 4x6mm rosso	FLEX PIPE 4x6mm red	
127a	-	0C9798	TUBO FLESSIBILE 4x6mm blu	FLEX PIPE 4x6mm blue	
128	0696808200	0C5515	ELETTROVALVOLA	WATER VALVE	for Level C
128	0696808801	0C6170	ELETTROVALVOLA	WATER VALVE	for Level B
129	0696808700	0C6372	GRUPPO VALVOLE CLEANYNG	VALVE GROUP C.S.	for Level A,C
130	0831857200	0C6370	ASSIEME COLLETORE LAVAGGIO	CONNECTION,C.S.	for Level A
130	0696400400	0C6407	ASSIEME COLLETORE LAVAGGIO	CONNECTION,C.S.	for Level C
131	0546825100	0C6222	FORCELLA SICUREZZA	CLIP	for Level A,C
132	0646817200	0C6217	PRESSOSTATO ATTACCO RAPID	CONNECTION FOR WASH	for Level A,C
137	-	0C6375	KIT RIDUTTORI	FLOW REDUCER KIT	for Level A,C

<b>20 GN 1/1 GAS CONVECTION / STEAMER OVEN</b> <b>FORNO CONVEZIONE / VAPORE GAS 20 GN 1/1</b>					
<i>Pos</i>	<i>Factory Code</i>	<i>6DGT Code</i>	<i>Descrizione</i>	<i>Description</i>	<i>Ref./Note</i>
138	-	061303	KIT O-RING +BUSSOLA	O-RING +BUSH KIT	for Level A,C
139	0219035015	0C6421	ANELLO ELASTICO	ELASTIC RING	for Level A,C
140	0505401R00	0C7924	PIASTRINA FISSAGGIO POMPE	FIXING PLAQUE	
141	0544400C01	0C8348	VITE TTL	TTL SCREW	Up to 5151...
141	0544400C02	0CA348	VITE TTL	TTL SCREW	From 5161...
141a	0546400J00	0C9538	CAPPUCCIO DI PROT.	PROTECTION CAP	
142	0543400R00	0C7925	PASSACAVO	WIRING BUSH	
143	0805402400	0C8328	TUBO EXT	EXT. PIPE	
144	0246530100	005382	GOMMINO	GASKET	
145	0544819400	0C5829	TUBO EPDM BLU	EPDM PIPE	
146	0686400100	0C8347	POMPA DEFOND PHOENIX	PHOENIX DEFOND PUMP	Up to 4441...
146	0686400201	0CA112	POMPA CEME	CEME PUMP	From 4451...
147	0835400L00	0C8683	GRUPPO ENTRATA ACQUA	GROUP WATER INLET	
147	0835400M00	0C8684	GRUPPO ENTRATA ACQUA	GROUP WATER INLET	For level C
148	0805400402	0C8458	ASS. COLLETORE + TUBI	COLLECTOR+PIPING	
			<b>Pagina 4</b>	<b>Page 4</b>	
200	0831852900	0C5520	ASSIEME BOILER	BOILER ASS.Y	for Level A e B up to 5141..
<b>200</b>	<b>0831852905</b>	<b>0CA295</b>	<b>ASSIEME BOILER</b>	<b>BOILER ASS.Y</b>	<b>for Level A e B from 5151..</b>
201	0560852501	0C4123	KIT ISOLAMENTO	KIT ISOLATION	for Level A e B
202	0543816601	002692	TAPPO	STOPPER	for Level A e B
203	0543817500	002634	GUARNIZIONE	GASKET	for Level A e B
204	0830890500	007033	SONDA DI LIVELLO	LEVEL PROBE	for Level A e B
205	0516809501	007117	RACCORDO PER VALVOLA	CONNECTION	
206	0696804201	0C0882	VALV.SFERA MOTORIZZATA	DRAIN VALVE	
206	0696808500	0C5518	VALV.SFERA MOTORIZZATA	DRAIN VALVE	
207	0511817600	007040	MANICOTTO RIDOTTO	CONNECTION	
208	0510828000	0C5564	RESCA D12 FILETT 1/4' GAS	PIPE CONNECTION	
209	0516879600	0C4099	UGELLO 'ELPIS'1/4'FD3.5-3/8'M	NOZZLE	
210	0543842600	0C4872	TAPPO PER SENSORE	STOPPER FOR SENSOR	
211	0515801715	052671	BICONO X TUBO DA 16	SEAL	
212	0543832400	0C4133	GUARNIZIONE AIR BREAK	AIR BREAK GASKET	
213	0517877001	0C1084	CONDUTTURA L= 330MM	PIPING, GAS L=330MM	
213	0517874801	0C1052	CONDUTTURA L= 508 MM	PIPING, GAS L= 508 MM	
214	0560840803		KIT ISOLAMENTO AIR BREAK	KIT ISOLATION	
215	0543838200	0C4101	GUARNIZIONE BRUCIATORE LWZ	GASKET	
216	0831827502	0C4289	BRUCIATORE	BURNER	
217	0543838100	0C4102	GUARNIZIONE PER VENTILATORE	FAN GASKET	
218	0538819002	0C4110	FLANGIA VENTILATORE	FAN FLANGE	
219	0611808300	0C4103	VENTILATORE	FAN	
220	0831846502	0C4462	CANDELINA DI ACC. E RIL.	IGNITION ROD	
221	0543841100	0C4104	GUARNIZIONE CANDELINA	ROD GASKET	
222	0518807600	0C1044	MOLLA	SPRING	
223	0J89061403	0C3443	PORTELLO ISPEZIONE	INSPECTION COVER	
224	0543840600	0C4096	GUARNIZIONE	GASKET	
225	0543839600	0C3442	GUARNIZIONE PORTELLO	GASKET	
226	0835859601	0C1057	VALVOLA GAS	GAS VALVE	
227	0624810800	0C4260	CENTRALINA	IGNITION BOARD	
228	0624810600	0C4105	ACCENDITORE BRAHMA	IGNITION BOARD	
229	0516847000	0C1058	DADO	NUT	
230	0527878700	0C6449	FLANGIA TENUTA BOILER	FLANGE, BOILER	
231	0543839200	0C6450	OR TENUTA BOILER	OR BOILER	
232	0527898700	0C4856	FLANGIA CHIUSURA FORO BOILER	FLANGE	For Lev. C
233	0543842800	0C4963	GUARN. CHIUSURA FORO BOILER	GASKET	For Lev. C
			<b>Pagina 5</b>	<b>Page 5</b>	
300	0806874001	0C5600	MANOPOLA	HANDLE	

20 GN 1/1 GAS CONVECTION / STEAMER OVEN FORNO CONVEZIONE / VAPORE GAS 20 GN 1/1					
Pos	Factory Code	6DGT Code	Descrizione	Description	Ref./Note
301	0214114900	051263	CONTRODADO	LOCK NUT	
302	0508836400	002727	RONDELLA	DISK	
303	0516807301	002662	BOCCOLA	BUSH	
304	0675855200	0C4957	MEMBRANA LIV.A	LAYER LEV. A	For lev. A EJM Version
304	0675856300	0C5010	MEMBRANA LIV.A	LAYER LEV. A	For lev. A RDR Version
304	0548400800	0C6426	MEMBRANA LIV.A	LAYER LEV. A	For lev. A HOR Version
304	0675855301	0C4958	MEMBRANA LIV.B	LAYER LEV. B	For lev. B EJM Version
304	0675856401	0C5011	MEMBRANA LIV.B	LAYER LEV. B	For lev. B RDR Version
<b>304</b>	<b>0675401300</b>	<b>0CA536</b>	<b>MEMBRANA EMPERO LIV. B</b>	<b>LAYER EMPERO LEV. B</b>	<b>for level B EMPERO</b>
304	0675855402	0C4959	MEMBRANA LIV.C	LAYER LEV. C	For lev. C EJM Version
304	0675856501	0C5062	MEMBRANA LIV.C	LAYER LEV. C	For lev. C RDR Version
304	0548400A00	0C6425	MEMBRANA LIV.C	LAYER LEV. C	For lev. C HOR Version
305	0873896502	0C4907	CRUSCOTTO LIV. A (NO MEMBR.)	CONT.PANEL LEV. A (NO LAYER)	for Level A
305	0873896602	0C4908	CRUSCOTTO LIV. B (NO MEMBR.)	CONT.PANEL LEV. B (NO LAYER)	for Level B
305	0873896702	0C4909	CRUSCOTTO LIV. C (NO MEMBR.)	CONT.PANEL LEV. C (NO LAYER)	for Level C
307	0675837902	0C0043	SCHEDA USER INTERFACE LIV. A	USER INTERF. BOARD, LEV. A	for Level A
307	0675838802	0C0041	SCHEDA USER INTERFACE LIV. B	USER INTERF. BOARD, LEV. B	for Level B
307	0675854600	0C4891	SCHEDA USER INTERFACE LIV. C	USER INTERF. BOARD, LEV. C	for Level C
308	0675837808	0C0042	SCHEDA POWER	MAIN POWER	for Level A, B
308	0675854501	0C4890	SCHEDA POWER	MAIN POWER	for Level C
<b>308</b>	<b>0675400206</b>	*	<b>SCHEDA POWER</b>	<b>MAIN POWER</b>	<b>for Level B EMPERO</b>
309	0546824600	0C5833	PROLUNGA PULSANTE	PROLONG	
311	0652800901	058871	FUSIBILE RAPIDO 10 A F	FUSE FAST 10 A F	
311	0652803900	0C2301	FUSIBILE OMEGA 800MA	FUSE OMEGA 800MA	
312	0652802100	0F0031	PORTAFUSIBILE	FUSE HOLDER	
313	0646812200	007042	LIMITATORE, CELLA	LIMITER, CAVITY	
314	0508840801	002628	FLANGIA	FLANGE	
315	0574804900	002627	VETRO	GLASS	
316	0543842000	002626	GUARNIZIONE	GASKET	
317	0660808300	0C4396	LAMPADA ALOGENA	HALOGEN LAMP	Up to 4361...
317	0660400100	0C9877	LAMPADA ALOGENA	HALOGEN LAMP	From 4371...
318	0660806800	007105	PORTALAMPADA	LAMP HOLDER	
319	0538804000	0C1169	FARFALLA	CLOSER	
320	0680802300	0C5501	MOTORIDUTTORE	MOTOREDCER	
321					
322	0543832200	0C1168	GUARNIZIONE	GASKET	
323	0831806402	0C1219	CONDOTTO ARIA	DUCT, AIR	
324	0624811000	0C4106	VENTILATORE	FAN	
325	0694805900	0C4950	FILTRO ANTIDISTURBO	FILTER	
326	0639804900	046357	MORSETTIERA	TERMINAL BOARD	
327	0694604400	047541	CONDENSATORE 12.5 Mf	CAPACITOR 12.5 MF	for Level A e B
327	0694806000	0C5526	CONDENSATORE DA 8 Mf	CAPACITOR 8 MF	for Level C
<b>328</b>	<b>0624400100</b>	<b>0C6895</b>	<b>TRASFORMATORE</b>	<b>TRANSFORMER</b>	<b>up to 3291</b>
<b>328</b>	<b>0624400900</b>	<b>0C9557</b>	<b>TRASFORMATORE</b>	<b>TRANSFORMER</b>	<b>from 3301</b>
329	0648803001	058857	RELE	RELE	
330	0624807002	007047	ALIMENTATORE SWITCHING	SWITCHING FEEDER	for Level A
331	0646812900	0C1147	LIMITATORE, BOILER	LIMITER, BOILER	
332	0509803900	0C4459	RIFLETTORE	REFLECTOR	
336	0543843500	0C5451	GUARNIZIONE	GASKET	
343	0648722900	088267	RELE' SICUREZZA	SECURITY RELAY	
344	0831851101	0C4935	ASSIEME FILTRO CRUSCOTTO	ASS. FILTER CONTROL PANEL	
345	0549400F00	0C9991	FILTRO CRUSCOTTO	FILTER CONTROL PANEL	
			<b>Pagina 6</b>	<b>Page 6</b>	
400	0853854208	007106	CARRELLO PORTA TEGLIE (P63)	TROLLEY (P63)	
401	0835865000	0C1631	RUOTA CON FRENO	WHEEL WITH BRAKE	
402	0835865100	0C1632	RUOTA	WHEEL	
403	0517868200	007108	MANIGLIA	HANDLE	
404	0H21503300	006309	PILETTA DI SCARICO	DRAIN	

20 GN 1/1 GAS CONVECTION / STEAMER OVEN FORNO CONVEZIONE / VAPORE GAS 20 GN 1/1					
<i>Pos</i>	<i>Factory Code</i>	<i>6DGT Code</i>	<i>Descrizione</i>	<i>Description</i>	<i>Ref./Note</i>
	0830898900	0C0324	SONDE DI TEMPERATURA	TEMPERATURE PROBES	
	0830898901	0C7028	SONDA CELLA 500mm ROSSA	CAVITY PROBE 500mm RED	
	0830898902	0C6538	SONDA CELLA 500mm ROSSA	CAVITY PROBE 500mm RED	
	0830899002	0C0325	SONDA BOILER 800mm	BOILER PROBE 800mm BLUE	for Level A e B
	0830899100	0C0326	AZZURRA		
	0830899100	0C0326	SONDA BYPASS 1100 BIANCO	BYPASS PROBE 1100mm	for Level A e B
	0830899101	0C6539	SONDA BYPASS 1100 BIANCO	WHITE	
				BYPASS PROBE 1100mm	for Level A e B
				WHITE	