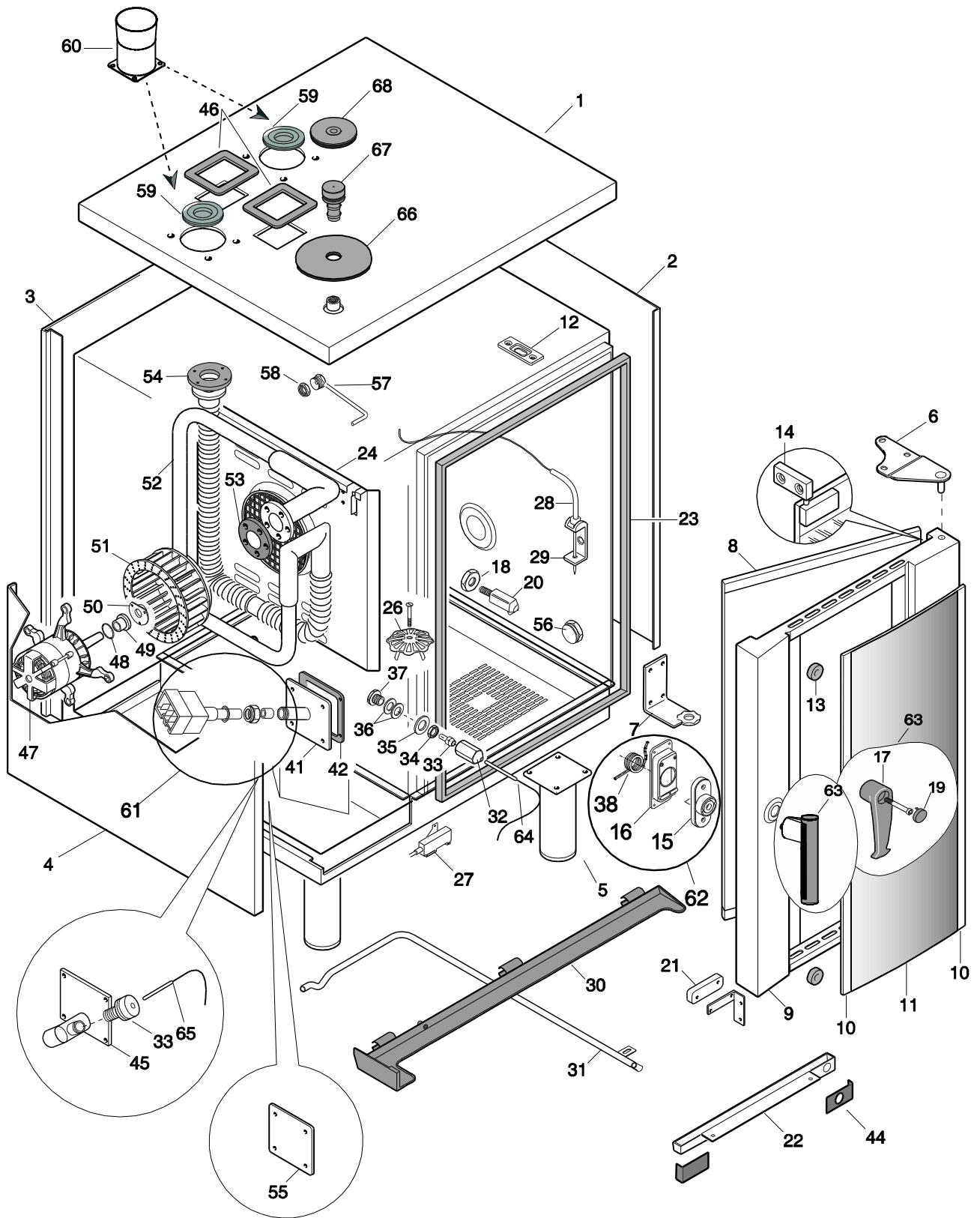


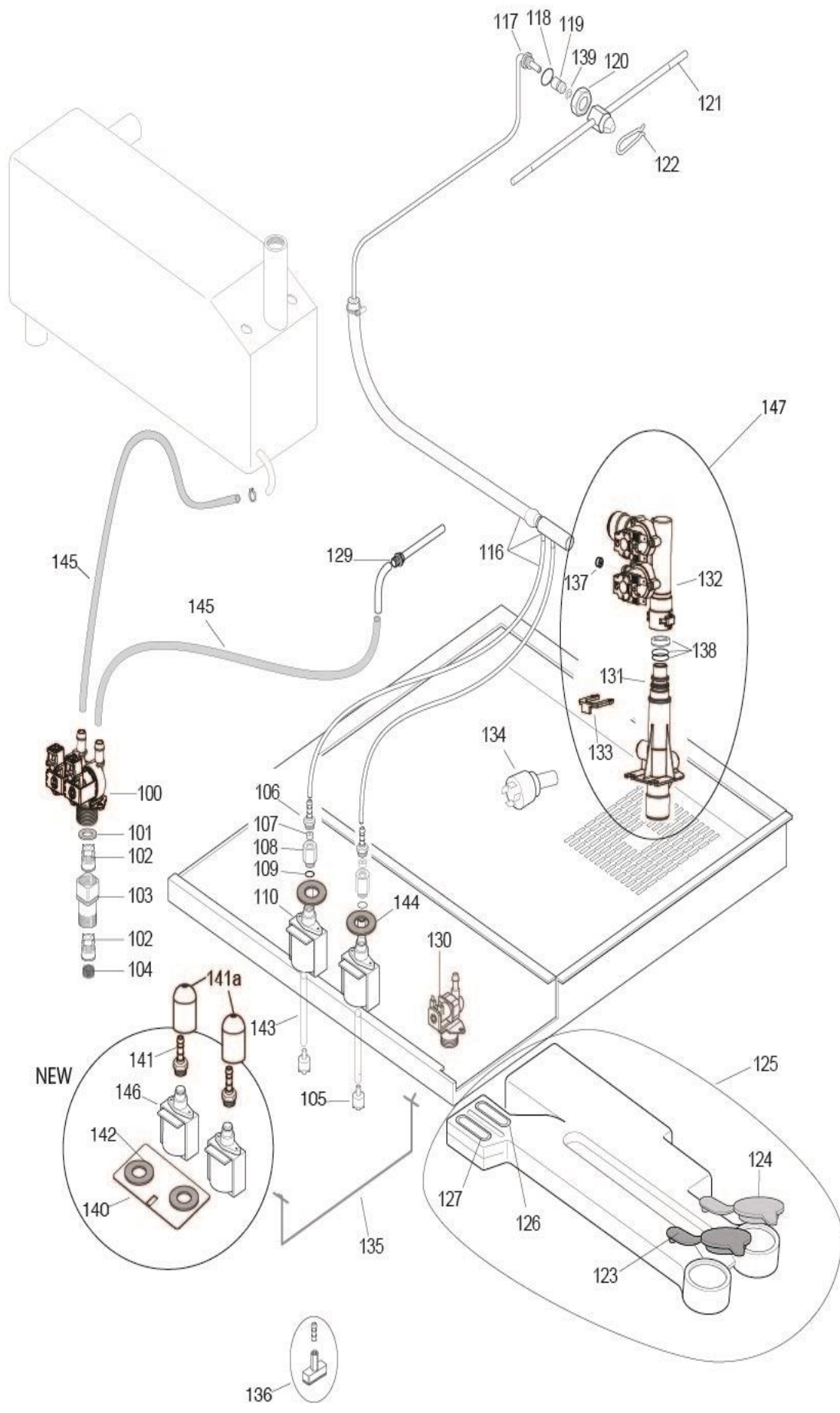
10 GN 1/1 GAS CONVECTION / STEAM OVEN
FORNO CONVEZIONE / VAPORE GAS 10 GN 1/1

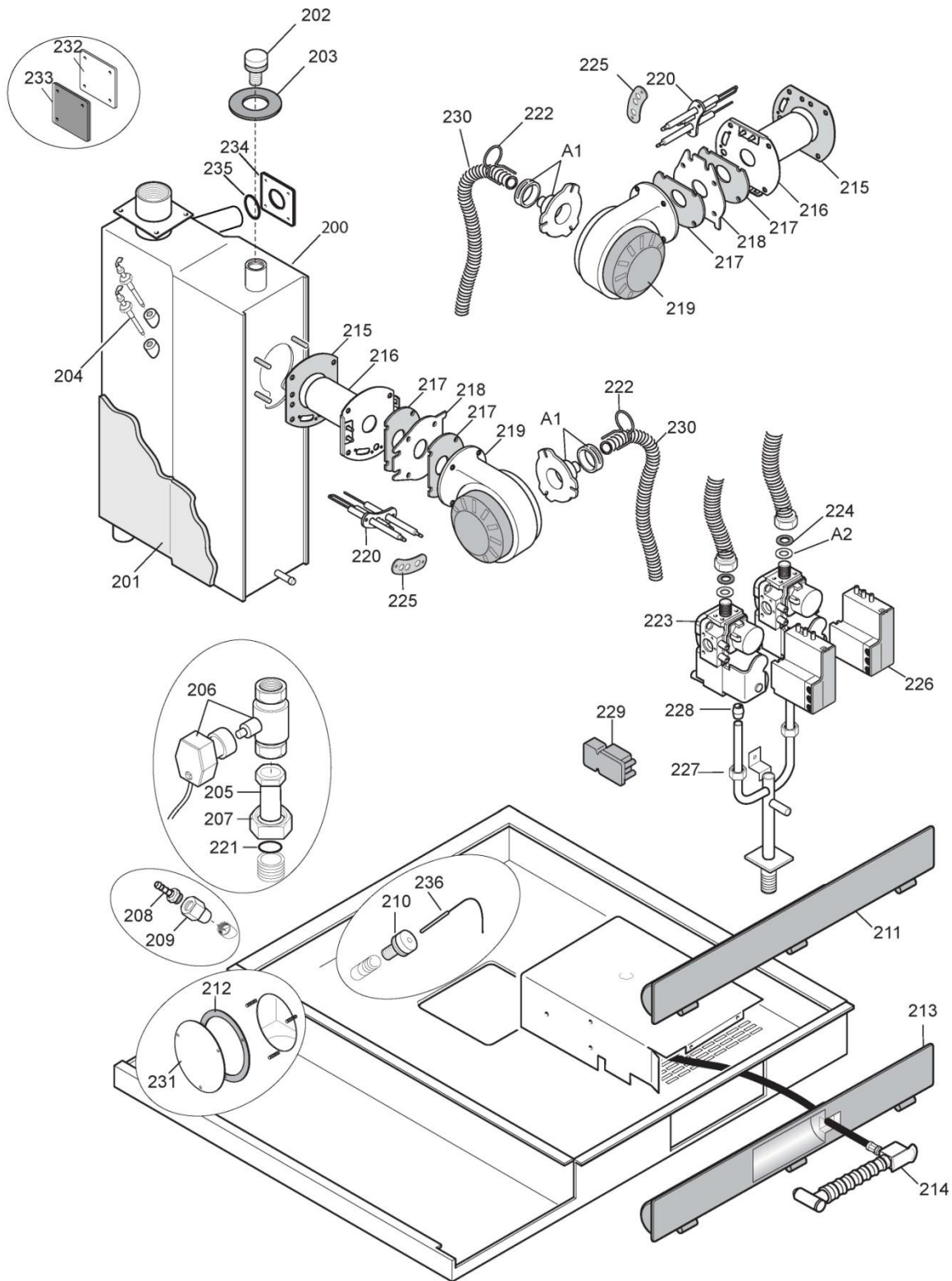
PNC	Model	Ref	Group	Level	Page	Notes
236702	FCZ101GKG	L	FZC	Level K	2...11	230V 50Hz STD
236712	FCZ101GKD	M	FCZ	Level K	2...11	230V 50Hz LPG
236802	FCZ101GKZ	N	FCZ	Level K	2...11	230V 50Hz STD
237702	FCZ101GTG	a	FCZ	Touch	2...11	230V 50Hz STD
237712	FCZ101GTD	b	FCZ	Touch	2...11	230V 50Hz LPG
237782	FCZ101GTW	P	FCZ	Touch	2...11	230V 50Hz UK
237802	FCZ101GTZ	C	FZC	Level T	2...11	230V 50Hz STD
238702	FCZ101GBG2	c	FCZ	Level B	2...11	230V 50Hz STD
238712	FCZ101GBD2	d	FCZ	Level B	2...11	230V 50Hz LPG
238722	FCZ101GBL2	e	FCZ	Level B	2...11	100V 50/60Hz JAP LPG
238802	FCZ101GBZ2	D	FCZ	Level B	2...11	230V 50Hz STD
239702	FCZ101GCG2	f	FCZ	Level C	2...11	230V 50Hz STD
239712	FCZ101GCD2	g	FCZ	Level C	2...11	230V 50Hz LPG
239802	FCZ101GCZ2	E	FCZ	Level C	2...11	230V 50Hz STD
266702	AOS101GKG1	v	AOS	Level K	2...11	230V 50Hz STD
266712	AOS101GKD1	z	AOS	Level K	2...11	230V 50Hz LPG
266752	AOS101GKP1	A	AOS	Level K	2...11	120V 60Hz USA
266762	AOS101GKP1	O	AOS	Level K	2...11	120V 60Hz USA
266802	AOS101GKZ1	F	AOS	Level K	2...11	230V 50Hz STD
267542	AOS101GAQ1	u	AOS	Level A	2...11	230V 50Hz Nando's
267702	AOS101GTG1	h	AOS	Touch	2...11	230V 50Hz STD
267712	AOS101GTD1	i	AOS	Touch	2...11	230V 50Hz LPG
267752	AOS101GTP1	l	AOS	Touch	2...11	120V 60Hz USA
267782	AOS101GTW1	m	AOS	Touch	2...11	230V 50Hz UK
267802	AOS101GTZ1	G	AOS	Level T	2...11	230V 50Hz STD
268702	AOS101GBG2	n	AOS	Level B	2...11	230V 50Hz STD
268712	AOS101GBD2	o	AOS	Level B	2...11	230V 50Hz LPG
268782	AOS101GBW2	p	AOS	Level B	2...11	230V 50Hz UK
268802	AOS101GBZ2	H	AOS	Level B	2...11	230V 50Hz STD
269702	AOS101GCG2	q	AOS	Level C	2...11	230V 50Hz STD
269712	AOS101GCD2	r	AOS	Level C	2...11	230V 50Hz LPG
269752	AOS101GCP1	B	AOS	Level C	2...11	120V 60Hz USA
269782	AOS101GCW2	t	AOS	Level C	2...11	230V 50Hz UK
269792	AOS101GKY2	s	AOS	Level C	2...11	230V 50Hz Bakery
269802	AOS101GCZ2	l	AOS	Level C	2...11	230V 50Hz STD

Pag	Index	Indice	Note
2	Oven cabinet and door.	Cella forno e porta	
3	Water system	Impianto idraulico	
4	Boiler	Boiler	
5	Electrical components	Componenti elettrici	
6	Accessories	Accessori	
7...11	Spare parts list	Lista ricambi	

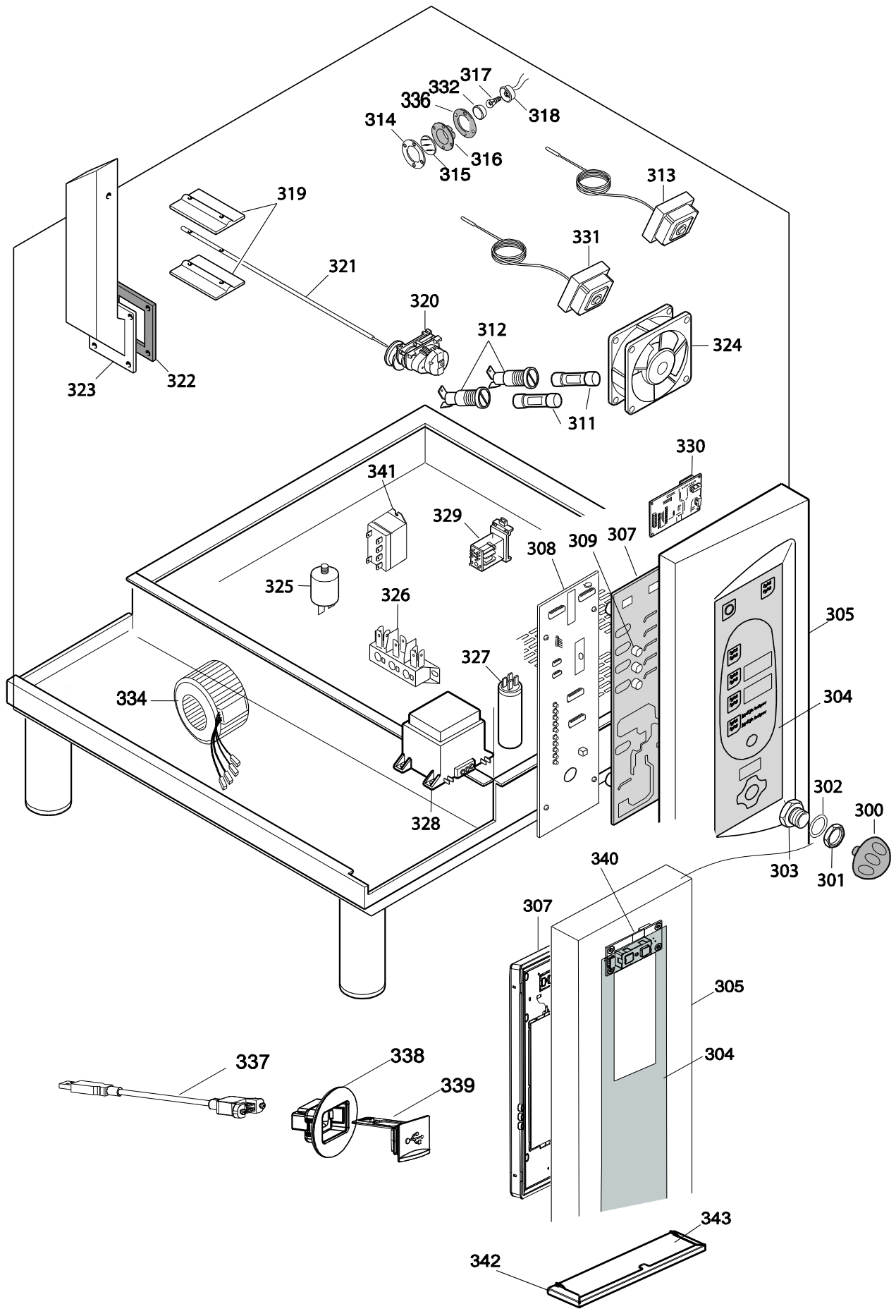
 Brand/Marchio: All
 Factory code: 9PDD

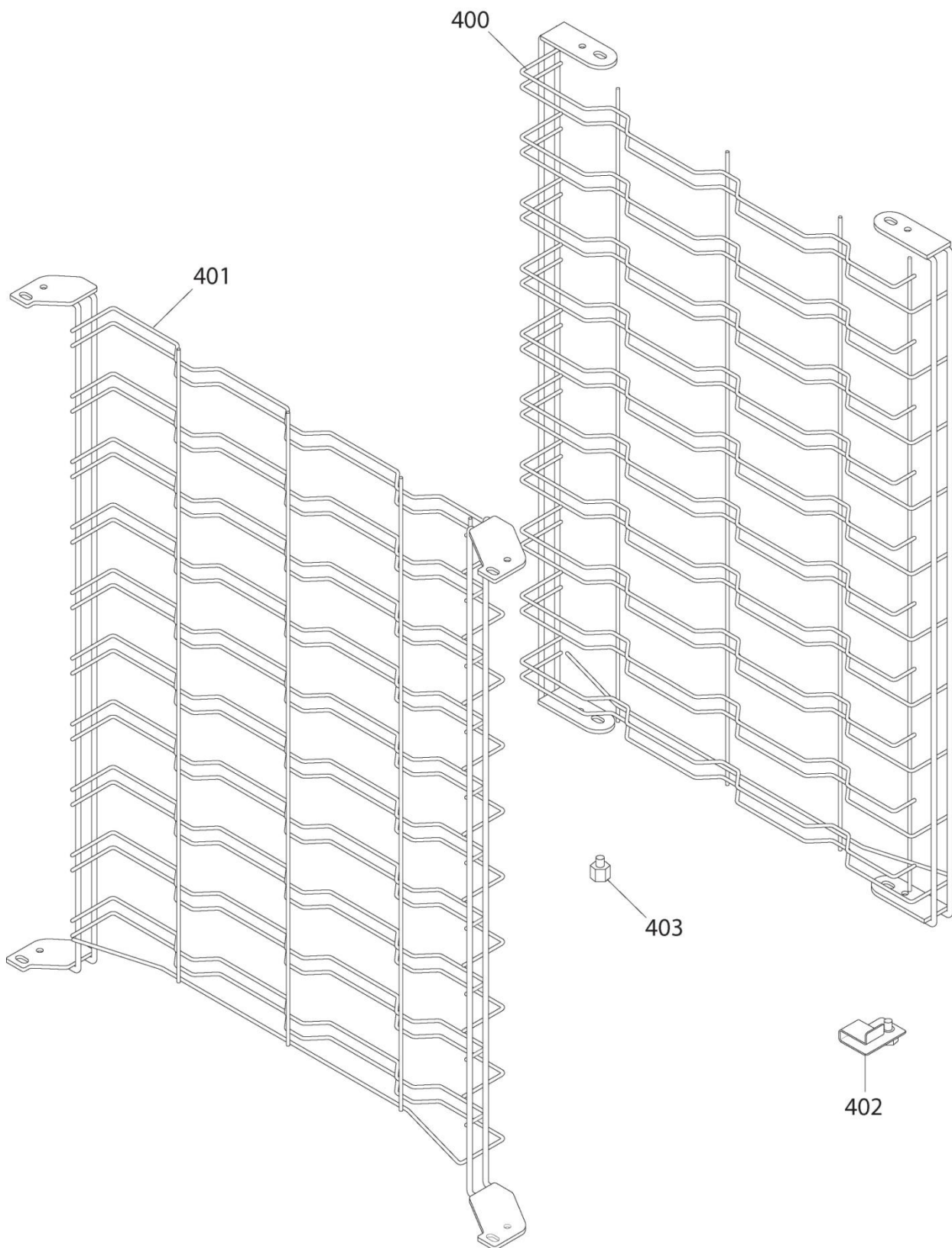






GAS	AERATORE/AERATOR		DIAFRAMMA/DIAPHRAGM		DIAFRAMMA/DIAPHRAGM	
	POS. A1 CELLA/CAVITY	POS. A1 BOILER	POS. A2 CELLA/CAVITY	POS. A2 BOILER	POS. 218 CELLA/CAVITY	POS. 218 BOILER
G20	OC1045 (ROSSA/RED)	0806826600 (VERDE/GREEN)	OC1139 (ø 7)	OC2444 (ø 7,5)	OC4110 (ø 18)	OC4125 (ø 21)
G25	OC1045 (ROSSA/RED)	0806826600 (VERDE/GREEN)	OC1141 (ø 8)	OC1143 (ø 8,5)	OC4110 (ø 18)	OC4125 (ø 21)
G30	OC1045 (ROSSA/RED)	0806826600 (VERDE/GREEN)	OC2442 (ø 5.5)	OC2446 (ø 5,8)	OC4110 (ø 18)	OC4110 (ø 18)
LPG	OC1045 (ROSSA/RED)	0806826600 (VERDE/GREEN)	OC1140 (ø 5.7)	OC1142 (ø 6,15)	OC4110 (ø 18)	OC4110 (ø 18)





10 GN 1/1 GAS CONVECTION / STEAMER OVEN
FORNO CONVEZIONE / VAPORE GAS 10 GN 1/1

<i>Pos</i>	<i>Factory Code</i>	<i>6DGT Code</i>	<i>Descrizione</i>	<i>Description</i>	<i>Ref./Note</i>
			Pagina 2	Page 2	
1	0530891500	0C6179	COPERCHIO	COVER	
1	0530891700	0C6181	COPERCHIO	COVER	For Level C ,K
2	0530890900	0C6174	FIANCO DX	RIGHT SIDE PANEL	
3	0530892700	0C6190	SCHIENALE	BACK PANEL	
4	0530893300	0C6196	FIANCO SX	LEFT SIDE PANEL	
5	0831850900	0C4892	PIEDINO	FOOT	From 2008/01 up to 2012/18 Up to 2007/52 from 2012/19
5	0831842202	0C4233	PIEDINO	FOOT	
6	0806847803	0C4234	CERNIERA SUPERIORE	UPPER HINGE	
7	0806861600	0C4235	CERNIERA INFERIORE	LOWER HINGE	
8	0873869902	0C4470	VETRO INTERNO	INNER GLASS	
9	0873858407	0C4960	PORTA COMPLETA	COMPLETE DOOR	
-	0518806205	0C6051	MOLLA FERMAVETRO INTERNO	SPRING FOR INTERNAL GLASS	
10	0806859302	0C4476	PROFILO DX-SX	RIGHT AND LEFT TRIM	
11	0574817103	0C4471	VETRO ESTERNO	EXTERNAL GLASS	for Group AOS
11	0574818501	0C4943	VETRO ESTERNO	EXTERNAL GLASS	for Group FCZ
11	0574400P00	0C7972	VETRO ESTERNO	EXTERNAL GLASS	for Nando's model
12	0543839700	0C4088	GUARNIZIONE FLANGIA SPILLONE	GASKET	
13	0543828001	006976	AMMORTIZZATORE	DAMPER	
14	0806822000	007007	CERNIERA VETRO INTERNO	HINGE, INNER GLASS	
15	0835871801	0C4089	GR.CHIUSURA A SCATTO 'HRS'	CLOSING MECHANISM	
16	0510824200	0C4237	SUPPORTO GR.CHIUSURA	SUPPORTO	
17	0548871501	0C4090	MANIGLIA CHIUSURA A SCATTO	DOOR HANDLE	
18	0516896401	0C4238	DADO FISSAGGIO	NUT FOR DOOR CATCHER	
19	0546822600	0C4091	TAPPO PER MANIGLIA 'HRS'	DOOR COVER HANDLE	
20	0806859900	0C4092	NASELLO SINGOLO SCATTO	DOOR CATCHER	
21	0699603700	049627	MAGNETE	MAGNET	
22	0528869501	0C4239	VASCHETTA RACC.CONDENSE	DOOR DRAIN TRAY	
23	0831846901	0C1477	GUARNIZIONE CELLA-PORTA	GASKET	
-	0147098067	003926	SIGILLANTE (RED)	RED SEALANT	
24	0831847003	0C4615	PARETE DI ASPIRAZIONE	SUCTION WALL	
25	0518807301	0C3423	MOLLA AGGANCIO PARETE	SPRING	
26	0518808600	0C1740	FILTRO FONDO	FILTER	
27	0654600000	049621	INTERRUTTORE MAGNETICO	MAGNETIC SWITCH	
28	0831831000	0C4240	SPILLONE CURVO MULTIPOINT	MEAT PROBE MULTI POINT	for Level Touch, O
28	0831830700	0C4241	SPILL. CURVO SINGOLO PUNTO	MEAT PROBE SINGLE POINT	for Level B e C,K
29	0527865201	0C1505	SUPPORTO SPILLONE	MEAT PROBE SUPPORT	
30	0856814000	0C4242	BACINELLA SNODABILE	DRAIN TRAY	
31	0806858800	0C4243	TUBO PER CONDENSE 1/1	DRAIN TUBE	
32	0516855300	006991	DADO SONDA CELLA	NUT, CAVITY PROBE	
33	0543842600	0C4872	TAPPO PER SENSORE	STOPPER FOR SENSOR	for Level Touch, B
34	0214105101	020997	CONTRODADO PORTAUGELLO	LOCK NUT	
35	0508838701	002700	RONDELLA SONDA CELLA	WASHER	
36	0543816300	002624	GUARN. PER TENUTA SONDA	GASKET	
37	0516809400	002623	RACCORDO SONDA CELLA	CONNECTION, CAVITY PROBE	
38	0518818000	0C8561	MOLLA PER CHIUSURA	SPRING	
41	0806857201	0C4244	COND. SONDA LAMBDA	FLANGE TUBE	for level A
42	0543838300	0C4093	GUARNIZIONE BYPASS/LAMBDA	GASKET	
44	0543841300	0C4094	GUARN. VASC. CONDENSE	GASKET	
45	0806873000	0C6351	CONDOTTO FLANGIATO BY-PASS	DUCT, BYPASS PROBE	for Level B
46	0543828901	007005	GUARN. CONDOTTO ARIA-COP.	GASKET, DUCT	
47	0611809000	0C5287	MOTORE	MOTOR	for Level C,K
47	0611806001	006998	MOTORE	MOTOR	for Level A e B
47	0611806901	0C1882	MOTORE	MOTOR	for 100V, 120V models
48	0543816700	002873	O RING	O RING	
49	0516808902	002699	CUSCINETTO	BEARING	
50	0538815400	0C4138	FLANGIA FISS.TENUTA MOTORE	FLANGE	

10 GN 1/1 GAS CONVECTION / STEAMER OVEN
FORNO CONVEZIONE / VAPORE GAS 10 GN 1/1

<i>Pos</i>	<i>Factory Code</i>	<i>6DGT Code</i>	<i>Descrizione</i>	<i>Description</i>	<i>Ref./Note</i>
51	0835400800	0C6463	VENTOLA	FAN	
51	0831808400	0C1129	VENTOLA	FAN	for Level C,K
52	0831828701	0C4318	SCAMBIATORE	HEAT EXCHANGER	
53	0543830700	0C1036	GUARNIZIONE	GASKET	
54	0543831301	0C1132	GUARNIZIONE	GASKET	
55	0527898900	0C4857	PIASTRA CHIUSURA	FLANGE	for Level C,K
56	0516892000	0C6296	PERNO SPILLONE	PROBE PIN	
57	0856828400	0C4975	CONDOTTO UMIDIFICATORE	HUMIDIFIER PIPNG	for Level C ,K
58	0516887101	0C6228	DADO CONDOTTO	NUT HUMIDIFIER	for Level C,K
59	0543844600	0C6200	GUARNIZIONE CAMINO	GASKET	
61	-	0C6465	KIT SONDA LAMBDA	LAMBDA KIT	for level TOUCH
62	0835872002	0C4477	ASSIEME CHIUSURA PORTA	COMPLETE CLOSING MECH.	Up to 6081...
62	0835402M00	*	ASSIEME CHIUSURA PORTA	COMPLETE CLOSING MECH.	From 6091...
63	0830400600	0C6572	MANIGLIA COMPLETA	COMPLETE DOOR HANDLE	for FCZ Group
63	0830400500	0C6569	MANIGLIA COMPLETA	COMPLETE DOOR HANDLE	for AOS Group
64	0830898902	0C6538	SENSORE TEMPERATURA CELLA	CAVITY TEMP. PROBE	
65	0830899101	0C6539	SENSORE TEMP. BY-PASS	BY-PASS TEMP. PROBE	For TOUCH,B
66	0543400900	0C7016	GUARNIZIONE PER TUBO	PIPE GASKET	
67	0543816601	002692	TAPPO CARICO DISINCROST.	RECHARGE CAP FOR SCALER	
68	0543843201	0C4965	GOMMINO CHIUSURA ING.DISIN	GASKET	
			Page 3	Page 3	
100	0696808400	0C5517	ELETTROVALVOLA	WATER VALVE	for Level Touch,B
-	0544819400	0C5829	TUBO EPDM BLU	BLU PIPE EPDM	
-	0835872300	0C5385	FASCETTA NORMACLAMP	NORMACLAMP	
101	0543840600	0C4096	GUARNIZIONE FILTRO	GASKET	
102	0549801800	0C2312	VALVOLA NON RITORNO	NOT RE-FLOW VALVE	
103	0516879400	0C2313	RACCORDO ENTRATA ACQUA	PIPE FITTING	for Level Touch,B
104	0543840600	0C4096	FILTRO INGRESSO ACQUA	INLET WATER FILTER	
105	0831811400	0C1155	ASSIEME FILTRO	FILTER	
106	0516896101	0C4198	RACCORDO PORTAGOMMA	PIPE FITTING	
107	0544809000	0C1117	VALVOLA NON RITORNO	NOT RE-FLOW VALVE	
108	0516871900	0C1116	RACCORDO PER POMPA	CONNECTION, PUPM	
109	0543832300	0C1935	O-RING	O-RING	
110	0680801201	0C2341	POMPA	PUMP	
110	0680801301	0C2342	POMPA	PUMP	for 60Hz models
116	0805400200	0C6202	ASS. COLLETTORE LAVAGGIO	CONNECTION	
117	0806871100	0C6031	ASS. SUPP. GETTO LAVAGGIO	SUPPORT	
118	0543841400	0C4201	GUARNIZIONE IN RAME	GASKET	
119	0516898301	0C4467	CUSCINETTO GETTO ROTANTE	BEARING	
120	0516896000	0C4202	DADO	NUT	
121	0806873900	0C5503	GETTO ROTANTE	ROTATING WASHING JET	
122	0518807100	007026	MOLLA	SPRING	
123	0544808100	0C1151	TAPPO PER SERBATOIO BLU	BLUE CUP	
124	0544808200	0C1152	TAPPO PER SERBATOIO ROSSO	RED CUP	
125	0873857102	0C4426	SERBATOIO DETERGENTE-BRIL	TANK	
126	0544808900	0C1154	PARATIA PER SERBATOIO ROSSO	RED BULKHEAD	
127	0544808400	0C1153	PARATIA PER SERBATOIO BLU	BLUE BULKHEAD	
129	0H22982800	007075	TUBO UMIDIFICATORE	HUMIDIFIER PIPE	for Level Touch, B
129	0856828600	0C4977	TUBO UMIDIFICATORE	HUMIDIFIER PIPE	for Level C,K
130	0696808800	0C6170	ELETTROVALVOLA	WATER VALVE	for Level B
130	0696808200	0C5515	ELETTROVALVOLA	WATER VALVE	for Level C,K
131	0831857200	0C6370	ASS. COLLET. ENTRATA ACQUA	CONNECTION,C.S.	
132	0696808600	0C6374	GRUPPO VALVOLE CLEANING	VALVE GROUP C.S.	For level Touch,B
132	0696400100	0C6373	GRUPPO VALVOLE CLEANING	VALVE GROUP C.S.	for Level Touch USA
132	0696400300	0C6406	GRUPPO VALVOLE CLEANING	VALVE GROUP C.S.	for Level C,K
132	0696400500	0C6408	GRUPPO VALVOLE CLEANING	VALVE GROUP C.S.	for Level C USA
133	0546825100	0C6222	FORCELLA SICUREZZA	CLIP	
134	0646817200	0C6217	PRESSOSTATO ATTACCO RAPIDO	CONNECTION FOR WASH ARM	
135	0513805000	0C5426	STAFFA SUPPORTO SERBATOIO	SUPPORT PLATE	

10 GN 1/1 GAS CONVECTION / STEAMER OVEN
FORNO CONVEZIONE / VAPORE GAS 10 GN 1/1

<i>Pos</i>	<i>Factory Code</i>	<i>6DGT Code</i>	<i>Descrizione</i>	<i>Description</i>	<i>Ref./Note</i>
136	-	0C6467	KIT GANCIO SERBATOIO	KIT TANK HOOK	
137	-	0C6375	KIT PARZIALIZZATORI DI FLUSSO	FLOW REDUCER KIT	
138	-	061303	KIT O-RING +BUSSOLA	O-RING +BUSH KIT	
139	0219035015	0C6421	ANELLO ELASTICO	ELASTIC RING	
140	0505401R00	0C7924	PIASTRINA FISSAGGIO POMPE	FIXING PLAQUE	
141	0544400C01	0C8348	VITE TTL	TTL SCREW	Up to 5151...
141	0544400C02	0CA348	VITE TTL	TTL SCREW	From 5161...
141a	0546400J00	0C9538	CAPPUCCIO DI PROTEZIONE	PROTECTION CAP	
142	0543400R00	0C7925	PASSACAVO	WIRING BUSH	
143	0546814600	0C2309	TUBO EXT	EXT. PIPE	
144	0246530100	005382	GOMMINO	GASKET	
145	0544819400	0C5829	TUBO EPDM BLU	EPDM PIPE	
146	0686400100	0C8347	POMPA DEFOND PHOENIX	PHOENIX DEFOND PUMP	Up to 4441...
146	0686400201	0CA112	POMPA CEME	CEME PUMP	From 4451...
147	0835400L00	0C8683	GRUPPO ENTRATA ACQUA	GROUP WATER INLET	
147	0835400M00	0C8684	GRUPPO ENTRATA ACQUA	GROUP WATER INLET	For level C,K
-	0831854100	0C5562	TUBO ACQUA WRAS	WATER INLET PIPE WRAS	
-	0835870400	0C3464	RIDUTTORE DI PRESSIONE	WATER PRESSURE REDUCER	
			Pagina 4	Page 4	
200	0878401C00	0C9668	KIT ASSIEME BOILER	BOILER ASS.Y KIT	for Level Touch, B
200	0878401800	-	KIT ASSIEME BOILER	BOILER ASS.Y KIT	P
201	0560852501	0C4123	KIT ISOLAMENTO	KIT ISOLATION	for Level Touch e B
202	0543816601	002692	TAPPO	STOPPER	for Level Touch, B
203	0543817500	002634	GUARNIZIONE	GASKET	for Level Touch, B
204	0831831901	0C4098	SONDA DI LIVELLO	LEVEL PROBE	for Level Touch, B
205	0516868600	0C1063	RACCORDO	CONNECTION	for Level Touch, B
206	0696804201	0C0882	VALVOLA DI SCARICO 230V	DRAIN VALVE 230V	for Level Touch, B
206	0696808500	0C5518	VALVOLA DI SCARICO 240V	DRAIN VALVE 240V	for Level Touch 60Hz
207	0516868500	0C1062	MANICOTTO 1"-3/4"	CONNECTION 1"-3/4"	for Level Touch, B
208	0510828000	0C5564	RESCA D12 FILETT 1/4' GAS	PIPE CONNECTION	
209	0516879600	0C4099	UGELLO 'ELPIS'1/4'FD3.5-3/8'M	NOZZLE	for Level Touch, B
210	0543842600	0C4872	TAPPO PER SENSORE	STOPPER FOR SENSOR	for Level Touch, B
211	0546821401	-	PANNELLO FRONTALE INFERIORE	PANEL	Level C e B,K
212	0543400000	0C7033	GUARNIZIONE PORTELLO	GASKET	for level TOUCH
213	0546815103	0C4532	PANNELLO FRONTALE INFERIORE	PANEL	for Level Touch
214	0873881200	0C4248	DOCCETTA	SHOWER	for Level Touch up to 5201...
214	0875402G00	0CA407	DOCCETTA	SHOWER	for P and m from 5211...
215	0543838200	0C4101	GUARNIZIONE BRUCIATORE LWZ	GASKET	
216	0831827502	0C4289	BRUCIATORE	BURNER	
217	0543838100	0C4102	GUARNIZIONE PER VENTILATORE	FAN GASKET	
218	0538819000	0C4110	FLANGIA VENTILATORE	FAN FLANGE	
219	0611808300	0C4103	VENTILATORE	FAN	
220	0831846502	0C4462	CANDELINA DI ACC. E RIL.	IGNITION ROD	
221	0543816800	002874	ANELLO DI TENUTA OR	O-RING	for Level Touch, B
222	0518807600	0C1044	MOLLA	SPRING	for Level Touch, B
223	0835859601	0C1057	VALVOLA GAS	GAS VALVE	
223	0835867200	0C1879	VALVOLA GAS	GAS VALVE	USA Version
224	0543840600	0C4096	GUARNIZIONE	GASKET	
225	0543841100	0CA104	GUARNIZIONE CANDELINA	ROD GASKET	
226	0624810800	0C4260	CENTRALINA	IGNITION BOARD	
227	0516847000	0C1058	DADO	NUT	
228	0515801715	052671	BICONO X TUBO DA 16	SEAL	
229	0624810600	0C4105	ACCENDITORE BRAHMA	IGNITION BOARD	
230	0517877101	0C1054	CONDUTTURA L= 398MM	PIPE L= 398MM	for Level Touch,B
230	0517877001	0C1084	CONDUTTURA L= 330MM	PIPE L= 330MM	for Level Touch, B
231	0J89061403	0C3443	PORTELLO ISPEZIONE	INSPECTION COVER	for Level Touch
232	0527898700	0C4856	FLANGIA CHIUS. FORO BOILER	FLANGE	For Level C,K

10 GN 1/1 GAS CONVECTION / STEAMER OVEN
FORNO CONVEZIONE / VAPORE GAS 10 GN 1/1

<i>Pos</i>	<i>Factory Code</i>	<i>6DGT Code</i>	<i>Descrizione</i>	<i>Description</i>	<i>Ref./Note</i>
233	0543842800	0C4963	GUARN. CHIUSURA FORO BOILER	GASKET	For Level C,K
234	0527878700	0C6449	FLANGIA CHIUS. FORO BOILER	FLANGE	For level TOUCH,B
235	0543839200	0C6450	GUARN.CHIUS.FORO BOILER	GASKET	For level TOUCH,B
236	0830899100	0C0326	SONDA BYPASS (L 1200)	BYPASS PROBE (L 1200)	for Level TOUCH, B
			Pagina 5	Page 5	
300	0806874001	0C5600	MANOPOLA	HANDLE	
301	0214114900	051263	CONTRODADO	LOCK NUT	
302	0508836400	002727	RONDELLA	DISK	
303	0516807301	002662	BOCCOLA	BUSH	
304	0548400502	0C6549	MEMBRANA TOUCH AOS MODELS	LAYER TOUCH AOS MODELS	for TOUCH AOS Group
304	0548400B00	0C6551	MEMBRANA TOUCH FCZ MODELS	LAYER TOUCH FCZ MODELS	for TOUCH FCZ Group
304	0548400F01	0C6553	MEMBRANA LIV.B AOS MODELS	LAYER LEV. B AOS MODELS	for Level B AOS Group
304	0675855001	0C4948	MEMBRANA LIV.B FCZ MODELS	LAYER LEV. B FCZ MODELS	for Level B FCZ Group
304	0548400J01	0C6556	MEMBRANA LIV.C AOS MODELS	LAYER LEV. C AOS MODELS	for Level C AOS Group
304	0675855102	0C4949	MEMBRANA LIV.C FCZ MODELS	LAYER LEV. C FCZ MODELS	for Level C FCZ Group
304	0548401900	0C8084	MEMBRANA LIC.C BAKERY MOD	LAYER LEV.C BAKERY MODELS	for Level C Bakery
304	0675847601	0C7961	MEMBRANA NANDO'S MODEL	LAYER NANDO'S MODEL	for Nando's model
304	0548401G00	0C8706	MEMBRANA LIV. TOUCH "K"	LAYER TOUCH "K" AOS MODELS	For Level Touch "K" AOS Group
305	0875401801	0C7030	CRUSCOTTO LIV.TOUCH + MEMBRANA	CONT.PANEL LEV. TOUCH + LAYER	for Level TOUCH AOS
305	0870400J00	0C6592	CRUSCOTTO LIV. TOUCH (NO MEMBR.)	CONT.PANEL LEV.TOUCH (NO LAYER)	for Level TOUCH FCZ Ver.
305	0870400601	0C6583	CRUSCOTTO LIV. B (NO MEMBR.)	CONT.PANEL LEV. B (NO LAYER)	for Level B AOS Ver.
305	0873896002	0C4902	CRUSCOTTO LIV. B (NO MEMBR.)	CONT.PANEL LEV. B (NO LAYER)	for Level B FCZ Ver.
305	0870400K01	0C6593	CRUSCOTTO LIV. C (NO MEMBR.)	CONT.PANEL LEV. C (NO LAYER)	for Level C AOS Ver.
305	0873896102	0C4903	CRUSCOTTO LIV. C (NO MEMBR.)	CONT.PANEL LEV. C (NO LAYER)	for Level C FCZ Ver.
305	0873895902	0C4901	CRUSCOTTO NANDO'S	CONT.PANEL NANDO'S	For Nando's model
305	0875401U00	0C8711	CRUSCOTTO LIV.TOUCH "K" CON MEMBRANA	CONTROL PANEL TOUCH "K" WITH LAYER	For Level Touch "K" AOS Group
-	0831844900	0C4930	FILTRO ARIA CRUSCOTTO	AIR FILTER CONTROL PANEL	
307	675400A00	0C6571	SCHEDA USER INTERFACE LIV.TOUCH	USER INTERF. BOARD, LEV. TOUCH	for Level TOUCH,K up to 2441...
307	675400P01	0C8805	SCHEDA USER INTERFACE LIV.TOUCH	USER INTERF. BOARD, LEV. TOUCH	for Level TOUCH,K from 2451... up to 4481...
307	675400P03	0CA070	SCHEDA USER INTERFACE LIV.TOUCH	USER INTERF. BOARD, LEV. TOUCH	for Level TOUCH,K from 4491...
307	0675838802	0C0041	SCHEDA USER INTERFACE LIV. B	USER INTERF. BOARD, LEV. B	for Level B
307	0675854600	0C4891	SCHEDA USER INTERFACE LIV. C	USER INTERF. BOARD, LEV. C	for Level C
307	0675854602	0C7350	SCHEDA USER INT.LIV.C (1/2VEL)	USER INTERF.BOARD LEV.C(1/2SPEED)	for level C(start s/n 120...)
307	0675837904	0C0043	SCHEDA USER INT. NANDO'S	USER INTERF. BOARD NANDO'S	for Nando's model
308	0675400802	0C6570	SCHEDA POWER	MAIN POWER	for Level TOUCH,K
308	0675837808	0C0042	SCHEDA POWER	MAIN POWER	for Level B,C
-	0546814001	0C3750	DISTANZIALE ARCHETTO NYLON	SPACER NYLON	
309	0546824600	0C5833	PROLUNGA PULSANTE	PROLONG	
311	0652800901	058871	FUSIBILE RAPIDO 6.30 A	FUSE FAST 6.3 A	
311	0652803900	0C2301	FUSIBILE OMEGA 800MA	FUSE OMEGA 800MA	
311	0652805300	0C2237	FUSIBILE 6.3A FAST 5X20	FUSE 6.3A FAST 5X20	for 120V models
311	0652804500	0C1884	FUSIBILE OMEGA T 2.5A	FUSE OMEGA T 2.5A	for 120V models
311	0652803300	0C1480	FUSIBILE RAPIDO 6.30 A	FUSE FAST 6.3 A	for 120V models
311	0652803200	0C2953	FUSIBILE 5X20 2,5A T	FUSE OMEGA 5X20 2,5A T	for 100V,120V models
311	0652805200	0C2236	FUSIBILE 5X20 1,6A F	FUSE OMEGA 5X20 1,6A F	for 100V models
311	0652800701	058869	FUSIBILE 5X20 1,6A F	FUSE OMEGA 5X20 1,6A F	for 100V models
312	0652802100	0F0031	PORTAFUSIBILE	FUSE HOLDER	
313	0646812200	007042	LIMITATORE, CELLA	LIMITER, CAVITY	
313	0646810802	006314	LIMITATORE, CELLA	LIMITER, CAVITY	for 120V models
314	0508840801	002628	FLANGIA	FLANGE	
315	0574804900	002627	VETRO	GLASS	
316	0543842000	002626	GUARNIZIONE	GASKET	

10 GN 1/1 GAS CONVECTION / STEAMER OVEN FORNO CONVEZIONE / VAPORE GAS 10 GN 1/1					
<i>Pos</i>	<i>Factory Code</i>	<i>6DGT Code</i>	<i>Descrizione</i>	<i>Description</i>	<i>Ref./Note</i>
317	0660808300	0C4396	LAMPADA ALOGENA	HALOGEN LAMP	Up to 4361...
317	0660400100	0C9877	LAMPADA ALOGENA	HALOGEN LAMP	From 4371...
318	0660806401	007055	PORTALAMPADA	LAMP HOLDER	
319	0508896801	007081	FARFALLA	CLOSER	
320	0680802300	0C5501	MOTORIDUTTORE	MOTOREDUCER	
320	0680802400	0C5502	MOTORIDUTTORE	MOTOREDUCER	for 120V models
321					
322	0543828600	007053	GUARNIZIONE	GASKET	
323	0831828500	0C4285	CONDOTTO ARIA	DUCT, AIR	
324	0624811000	0C4106	VENTILATORE	FAN	
325	0694805900	0C4950	FILTRO ANTIDISTURBO	FILTER	
326	0639804900	046357	MORSETTIERA	TERMINAL BOARD	
327	0694604400	047541	CONDENSATORE 12.5 Mf	CAPACITOR 12.5 MF	for Level A e B not for USA models
327	0694604400	047541	CONDENSATORE 60 Mf	CAPACITOR 60 MF	For 100V models
327	0694804601	0C4812	CONDENSATORE 60 Mf	CAPACITOR 60 MF	For 120V models
327	0694806000	0C5526	CONDENSATORE DA 8 MF	CAPACITOR 8 MF	for Level C,K
328	0624400100	0C6895	TRASFORMATORE	TRANSFORMER	
328	0624807100	007046	TRASFORMATORE	TRANSFORMER	for 100V models
329	0648803001	058857	RELE	RELE	for Level A e B
329	0648808000	0C1883	RELE	RELE	for 120V,100V models
329	0648723800	088086	RELE	RELE	for 120V models
330	0624807002	007047	ALIMENTATORE SWITCHING	SWITCHING FEEDER	for Level A
331	0646812900	0C1147	LIMITATORE, BOILER	LIMITER, BOILER	
331	0646810902	006433	LIMITATORE, BOILER	LIMITER, BOILER	for 120V models
332	0509803900	0C4459	RIFLETTORE	REFLECTOR	
333	0652801900	004010	PORTAFUSIBILE	FUSE HOLDER	for 120V models
334	0624400002	0C6945	TRASFORMATORE	TRANSFORMER	for 120V models
336	0543843500	0C5451	GUARNIZIONE	GASKET	
337	0638400Y00	0C6566	CAVETTO PROLUNGA USB	USB CABLE	For Level TOUCH
338	0546400200	0C6547	VASCHETTA USB	USB PLUG	for TOUCH level
339	0541400A00	0C6546	COPERTURA USB	USB COVER	for TOUCH level
340	0675858601	0C8033	TASTO ON-OFF (INTER.PRINCIPALE)	ON-OFF (MAIN SWITCH)	For TOUCH level
341	0648722900	088267	RELE' SICUREZZA	SAFETY RELE'	
342	0831851002	0C4934	ASSIEME FILTRO CRUSCOTTO	ASS. FILTER CONTROL PANEL	
343	0549400F00	0C9991	FILTRO CRUSCOTTO	FILTER CONTROL PANEL	
			Pagina 6	Page 6	
400	0831849200	0C4862	PORTATEGLIE DX P60	TRAY SUPPORT DX P60	
401	0831848900	0C4861	PORTATEGLIE SX P60	TRAY SUPPORT SX P60	
402	0806872800	0C4961	SUPPORTO CON S.G.	SUPPORT S.G.	
403	0511828100	0C5620	SUPPORTO	SUPPORT	
			SONDE DI TEMPERATURA	TEMPERATURE PROBES	
	0830898902	0C6538	SONDA CELLA (L 500)	CAVITY PROBE (L 500)	
	0830899000	0C0325	SONDA BOILER (L 800)	BOILER PROBE (L 800)	for Level A e B
	0830899100	0C0326	SONDA BYPASS (L 1200)	BYPASS PROBE (L 1200)	for Level A e B