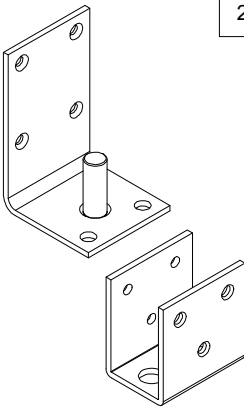


1



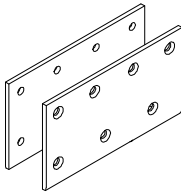
UPPER HINGE & BEARING PLATE ASSEMBLY KIT
 ZINC KIT#: K0197
 140-442 Bagged Fasteners
 150-118 Top Pin Assembly
 170-74-8 Top Pin 2.25" Wiper
 170-74-9 Top Pin 2.5" Wiper
 100-50 Bearing Plate
 170-58 Axle
 170-60 Roller (2)
 170-28 Klipring
 QTY: _____

2



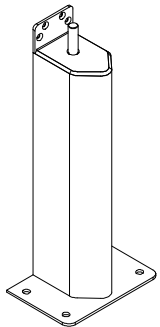
LOWER HINGE ASSEMBLY
 ZINC KIT#: K0175
 150-47 Bottom Pin Assembly
 100-607 Bottom Leaf
 140-444 Bagged Fasteners
 170-02053 Lock Nut (3)
 170-02219 Screw (3)
 QTY: _____

2



HEAVY DUTY BOTTOM LEAF
 RH KIT#: K0213
 100-626 RH Zinc Bottom Leaf
 170-02053 Lock Nut (7)
 170-02219 Screw (7)
 LH KIT#: K0214
 100-627 LH Zinc Bottom Leaf
 170-02053 Lock Nut (7)
 170-02219 Screw (7)
 QTY: _____

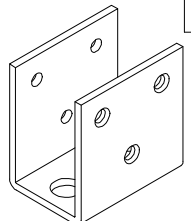
2



3" X 9" JAMB GUARD W/ 5/8" PIN
 ZINC KIT#: K0200
 150-76 Jamb Guard
 170-02992 Anchor Bolts (2)
 140-443 Bagged Fasteners
 QTY: _____

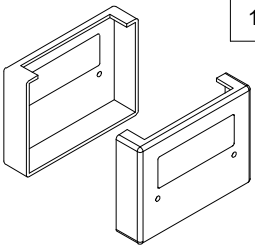
5" X 18" JAMB GUARD W/ 5/8" PIN
 ZINC KIT#: K0201
 150-79 Jamb Guard
 170-02992 Anchor Bolts (4)
 140-443 Bagged Fasteners
 QTY: _____

2



BOTTOM LEAF KIT
 KIT# : K0237
 100-607 Bottom Leaf
 170-02053 Lock Nut (3)
 170-02219 Screw (3)
 QTY: _____

1



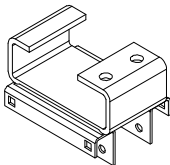
REPLACEMENT HINGE COVER KIT
 ABS KIT#: K0154
 170-18208-3 Cover (2)
 140-439 Bagged Cover Screws
 QTY: _____

1



HINGE ROLLER REPLACEMENT ASSEMBLY KIT
 KIT#: K0136
 170-58 Axle
 170-60 Roller (2)
 170-28 Klipring
 QTY : _____


1



TOP POD ASSEMBLY
 ZINC KIT#: K0233
 150-111 Pod Assembly
 170-02053 Lock Nut (3)
 170-02109 Screw (3)
 QTY: _____

3

REPLACEMENT GASKET KIT
 HCG KIT#: K0217
 a 170-43 Alcryn Gasket (10')
 b 170-40 Alcryn Gasket (4'x10')
 c 170-43 Alcryn Gasket (4')
 HCG KIT#: K0255
 a 170-43 Alcryn Gasket (10')
 b 170-39 Alcryn Gasket (4'x8')
 c 170-43 Alcryn Gasket (4')
 QTY: _____

HCP, HCG, SCG8 KIT REPLACEMENTS ZINC HARDWARE					
SCALE: N/A	MATERIAL: N/A			ITEM NUMBER: N/A	
REV #: 3	DWG BY: RTM	DATE: 10/16/19	ECN: N/A		