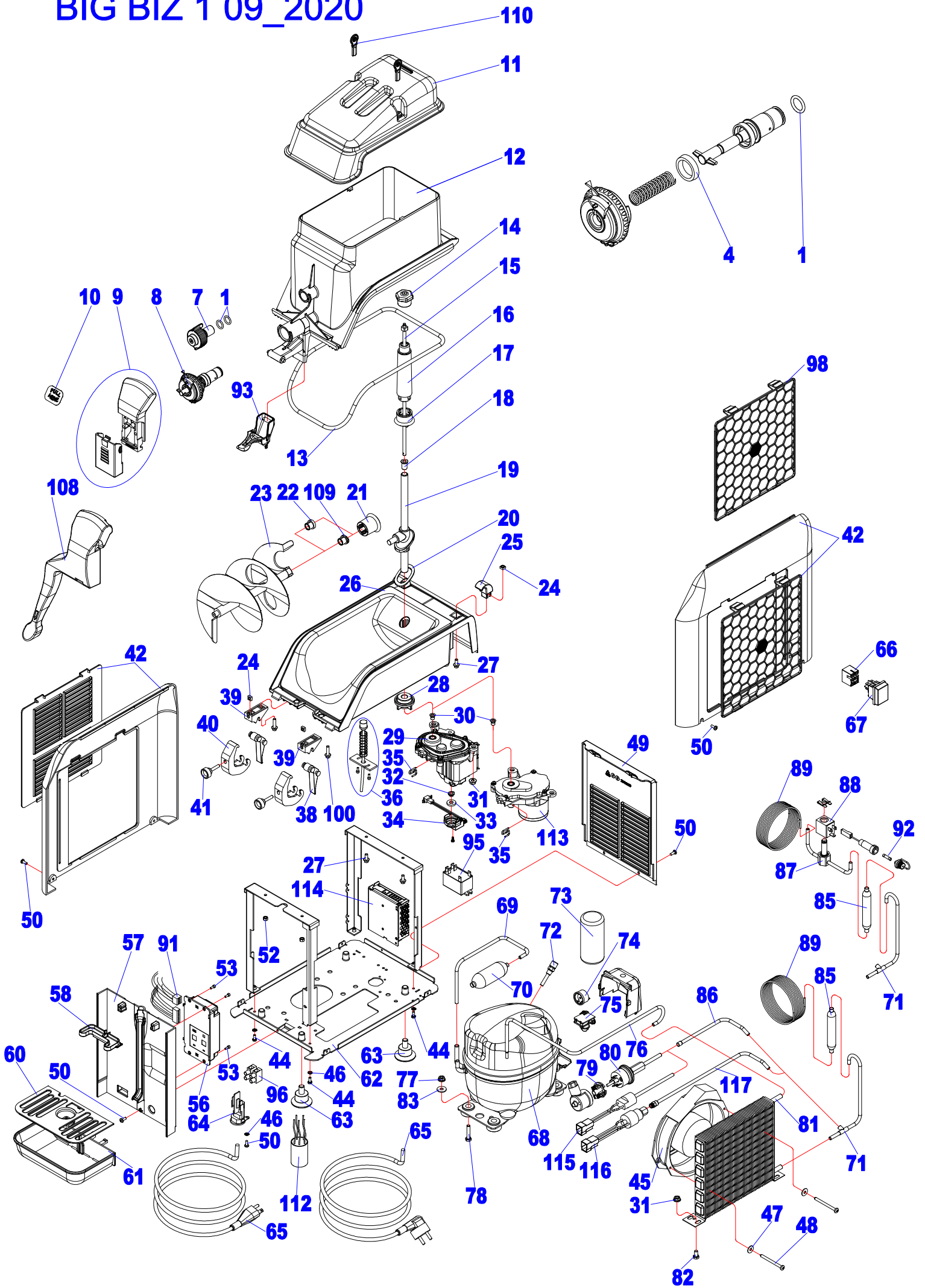
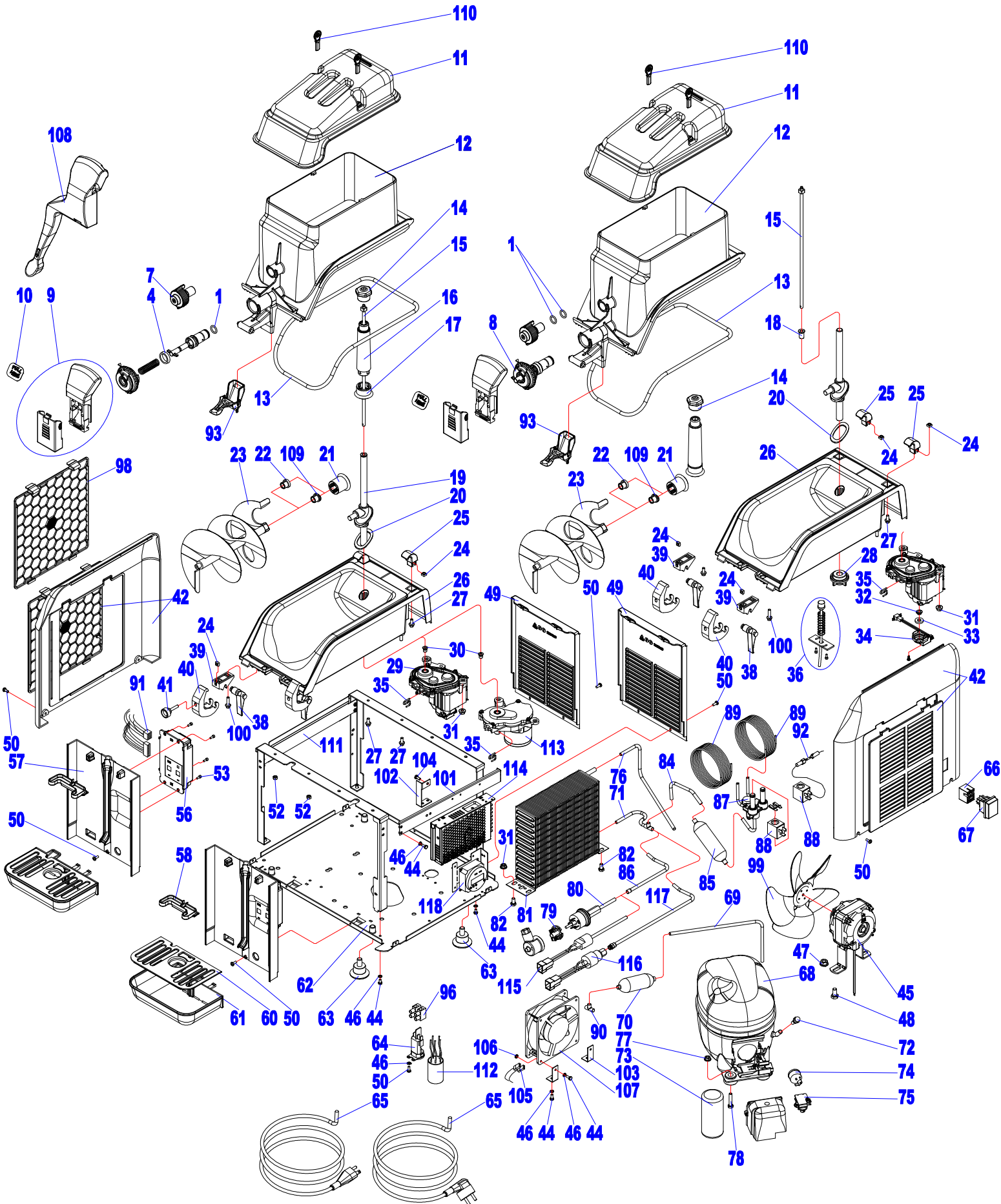


BIG BIZ 1 09_2020



BIG BIZ 2 09_2020



ADDITIONAL 10\$ FEE FOR ORDERS UNDER \$100 WILL BE APPLIED

PART#	Exploded View	DESCRIPTION	VERS.	model BB1	model BB2	115/60	2022 List Prices
OR13000117	1	O-RING 117	ALL	*	*	*	\$ 0.84
M0003117-001	4	OUTLET BACK GASKET	ALL	*	*	*	\$ 4.19
M0004109-002	7	RING NUT HORIZONTAL AUGER 2012 VERSION	ALL	*	*	*	\$ 58.01
M0003126-005	8	RING NUT LEVER COVER PISTON 2ORING(GLASS FIBER)	ALL	*	*	*	\$ 77.35
M0003139-001	9	BLACK HANDLE AND COVER 2012 VERSION	ALL	*	*	*	\$ 81.21
A0006111-001	10	"PULL HERE" STICKER	ALL	*	*	*	\$ 1.79
L0006104-005	11	TRANSPARENT TOP LIGHT W/LID LOCK	ALL	*	*	*	\$ 144.47
L0000115-003	12	TRANSPARENT TANK 2017 VERSION w/lid lock	ALL	*	*	*	\$ 120.37
L0000106-001	13	GASKET TRANSPARENT TANK	ALL	*	*	*	\$ 16.55
M0000107-001	14	RING NUT VERTICAL PROPELLER	ALL	*	*	*	\$ 19.36
L0000104-001	15	TRANSMISSION SHAFT WITH NUT	ALL	*	*	*	\$ 45.16
L0004104-001	16	VERTICAL AUGER COMPLETE OF BUSHING	ALL	*	*	*	\$ 45.16
M0004104-001	17	PINION VERTICAL AUGER UNTIL S/N 140703180	ALL	*	*	*	\$ 11.78
M0004104-002	17	PINION VERTICAL AUGER FROM S/N 140703181	ALL	*	*	*	\$ 11.78
M0000104-001	18	BUSHING TRANSMISSION SHAFT	ALL	*	*	*	\$ 5.80
L0000116-002	19	TRANSMISSION SHAFT WITH SLEEVE+ORING 2014 VERSION	ALL	*	*	*	\$ 127.72
M0000114-001	20	TRANSMISSION SHAFT GASKET	ALL	*	*	*	\$ 9.66
A0000114-001	20	TRANSMISSION SHAFT ORING 2012 VERSION	ALL	*	*	*	\$ 9.66
M0004105-002	21	HORIZONTAL AUGER GEAR	ALL	*	*	*	\$ 11.78
M0004102-002	22	HORIZONTAL AUGER BUSHING 2012 VERS.	ALL	*	*	*	\$ 5.06
L0004103-002	23	HORIZONTAL AUGER COMPLETE OF BUSHING 2012 VERS.	ALL	*	*	*	\$ 270.85
M0000120-001	24	M5 SQUARE NUT	ALL	*	*	*	\$ 3.09
M0006103-003	25	BLACK REAR HINGE	ALL	*	*	*	\$ 11.78
L0002113-004	26	BIG BIZ COMPLETE BLACK TANK NEW EVAPORATOR	ALL	*	*	*	\$ 543.09
M0001101-001	27	SCREW TE 5X12MM	ALL	*	*	*	\$ 2.02
M0000105-001	28	RING NUT SHAFT FASTENING	ALL	*	*	*	\$ 5.80
M0005139-002	29	COMPLETE GEAR MOTOR WITH HALL SENSOR ELCO	R404A	*	*	*	\$ 579.92
M0005139-003	29	COMPLETE GEAR MOTOR WITH HALL SENSOR KENTA	R404A	*	*	*	\$ 579.92
A0000117-001	30	GEAR MOTOR BUSHING	R404A	*	*	*	\$ 2.55
DADOD.6ZFL	31	M6 NUT	ALL	*	*	*	\$ 0.94
B1071234	32	MAGNET SLEEVE	R404A	*	*	*	\$ 58.75
M1551004	33	PERMANENT MAGNET	R404A	*	*	*	\$ 25.54
A0000123-002	34	KIT COMPLETE PLASTIC COVER WITH HALL CELL ELCO	R404A	*	*	*	\$ 144.47
C025006	34	HALL CELL KENTA	R404A	*	*	*	\$ 62.00
A0001104-001	35	GEAR MOTOR/TRANSMISSION SHAFT PIN	ALL	*	*	*	\$ 9.63
M0000157-002	36	FC-BB ELECTRONIC THERMOSTAT PROBE COMPLETE 2015 VERS.	ALL	*	*	*	\$ 43.85
M0006115-003	38	BLACK FRONT HINGE	ALL	*	*	*	\$ 16.81
M0006116-003	39	BLACK BASE	ALL	*	*	*	\$ 11.78
M0006102-003	40	BLACK HINGE HOOK	ALL	*	*	*	\$ 16.81
M0006119-001	41	LOCKING BOLT	ALL	*	*	*	\$ 17.42
L0006131-001	42	KIT PLASTIC PANEL RIGHT+LEFT+AIR FILTER+LOUVER BLACK	ALL	*	*	*	\$ 195.42
L0006131-003	42	KIT PLASTIC PANEL RIGHT+LEFT+AIR FILTER+LOUVER YELLOW	ALL	*	*	*	\$ 195.42
L0006131-004	42	KIT PLASTIC PANEL RIGHT+LEFT+AIR FILTER+LOUVER BLUE	ALL	*	*	*	\$ 195.42
L0006131-005	42	KIT PLASTIC PANEL RIGHT+LEFT+AIR FILTER+LOUVER WHITE	ALL	*	*	*	\$ 195.42
VTTE4X10Z	44	SCREW TE 4X10MM	ALL	*	*	*	\$ 0.95
LA105101-001	45	FAN MOTOR 17W 115V/50-60HZ	ALL	*	*	*	\$ 105.35
A5005101-001	45	FAN MOTOR 82UL-2009/32 115V/60HZ	ALL	*	*	*	\$ 92.45
ROND.D.4.3EDENT	46	INDENTED WASHER D.4,3	ALL	*	*	*	\$ 0.92
M0000123-001	47	FLAT WASHER 5X15MM	ALL	*	*	*	\$ 0.54
DADOD.8ZFL	47	M8 NUT	ALL	*	*	*	\$ 0.94
VTTTC4,8X60Z	48	SCREW TC 4.8X50MM	ALL	*	*	*	\$ 0.94
VTTE8X16Z	48	SCREW TE 8X16MM	ALL	*	*	*	\$ 0.94

ADDITIONAL 10\$ FEE FOR ORDERS UNDER \$100 WILL BE APPLIED

PART#	Exploded View	DESCRIPTION	VERS.	model BB1	model BB2	115/60	2022 List Prices
L0106101-001	49	BACK PANEL BLACK PLASTIC WITH LOUVERS	ALL	*	*	*	\$ 120.37
M0006124-001	50	SCREW TC 3.9X9.5MM	ALL	*	*	*	\$ 0.84
DADOD.5Z	52	M5 NUT	ALL	*	*	*	\$ 0.95
M0000156-001	53	SCREW TCEI 3X8MM	ALL	*	*	*	\$ 0.94
L0005102-001	56	ELECTRONIC BOARD 100-115V REV. 01	R404A	*	*	*	\$ 300.95
L0005105-010	56	ELECTRONIC BOARD 24VDC GREEN 2/5/8	GREEN G404	*	*	*	\$ 363.59
L0106102-002	57	FRONT PANEL BLACK PLASTIC ABS 2012 VERSION	ALL	*	*	*	\$ 300.95
A0006115-001	58	CONDENSATE DRIP TRAY	ALL	*	*	*	\$ 25.54
M0006117-001	60	BLACK PLASTIC DRIP TRAY ABSV0	ALL	*	*	*	\$ 31.27
M0006117-002	60	SILVER STEEL DRIP TRAY	ALL	*	*	*	\$ 33.87
M0006110-004	61	BLACK DRIP TRAY	ALL	*	*	*	\$ 38.65
L0101109-001	62	BIG BIZ 1 STRUCTURE	ALL	*	*	*	\$ 208.45
L0201108-001	62	BIG BIZ 2 STRUCTURE	ALL	*	*	*	\$ 234.50
PAR114-ELGR	63	RUBBER FEET	ALL	*	*	*	\$ 7.56
M0005112-001	64	CONNECTION FOR SUPPLYING WIRING	ALL	*	*	*	\$ 21.84
CAVOAL.U15ALAV	65	POWER CORD 115 V U.L. FOR USA	ALL	*	*	*	\$ 43.73
AF005101-001	65	POWER CORD 100V PSE JAPAN	ALL	*	*	*	\$ 76.63
A0005106-001	66	MOLEX CONNECTOR FOR MAIN SWITCH	ALL	*	*	*	\$ 0.82
I82L2206165	67	MAIN SWITCH	ALL	*	*	*	\$ 23.53
L5102103-001	68	NEK2117GK 115V/60HZ-100V/50HZ COMPRESSOR	R404A G404	*	*	*	\$ 536.44
A5402101-001	68	NEK2125GK 115V/60HZ-100V/50HZ COMPRESSOR	R404A G404	*	*	*	\$ 592.64
A5402104-001	68	NEK2134U 115/60 862AG71M9AJ COMPRESSOR	GREEN	*	*	*	\$ 481.57
L0102106-001	69	BB1 ACCUMULATOR-COMPRESSOR D.6 PLATE PIPE	ALL	*	*	*	\$ 15.07
L0202102-001	69	BB2 ACCUMULATOR-COMPRESSOR D.6 PLATE PIPE	ALL	*	*	*	\$ 15.07
M0102112-001	70	ACCUMULATOR	ALL	*	*	*	\$ 5.42
L0102113-001	71	KIT COPPER PIPE D.6MM CONDENSER-CUPPER TEE-CUPPER TEE-FILTER BB1	ALL	*	*	*	\$ 19.41
L0202106-001	71	KIT COPPER PIPE D.6MM CONDENSER-CUPPER TEE BB2	ALL	*	*	*	\$ 20.84
A0002110-001	72	CHARGE VALVE+ COPPER PIPE D.6MM 4CM BB1/2	ALL	*	*	*	\$ 9.71
L5105106-001	73	START CAPACITOR NEK2117GK 115V/60HZ-100V/50HZ	R404A G404	*	*	*	\$ 69.58
L5105103-001	73	START CAPACITOR NB2117GK 115V/60HZ-100V/50HZ	R404A G404	*	*	*	\$ 69.58
A5405103-001	73	START CAPACITOR NEK2125GK 115V/60HZ-100V/50HZ	R404A G404	*	*	*	\$ 69.58
COND2252096	73	START CAPACITOR NE2125GK 115V/60HZ-100V/50HZ	R404A G404	*	*	*	\$ 96.64
A5405106-001	73	START CAPACITOR NEK2134U115V R290 2252324	GREEN	*	*	*	\$ 96.31
L5105104-001	74	THERMAL PROTECTOR NEK2117GK 115V/60HZ-100V/50HZ	R404A G404	*	*	*	\$ 27.10
L5105101-001	74	THERMAL PROTECTOR NB2117GK 115V/60HZ-100V/50HZ	R404A G404	*	*	*	\$ 27.10
A5405101-001	74	THERMAL PROTECTOR NEK2125GK 115V/60HZ-100V/50HZ	R404A G404	*	*	*	\$ 27.10
TER2321004	74	THERMAL PROTECTOR NE2125GK 115V/60HZ-100V/50HZ	R404A G404	*	*	*	\$ 58.01
A5405104-001	74	OLP THERMAL PROTECTOR NEK2134U 115V R290 2324063	GREEN	*	*	*	\$ 43.34
L5105105-001	75	RELAY NEK2117GK 115V/60HZ-100V/50HZ	R404A G404	*	*	*	\$ 38.32
L5105102-001	75	RELAY NB2117GK 115V/60HZ-100V/50HZ	R404A G404	*	*	*	\$ 38.32
A5405102-001	75	RELAY NEK2125GK 115V/60HZ-100V/50HZ	R404A G404	*	*	*	\$ 38.32
CLI2283001	75	RELAY NE2125GK 115V/60HZ-100V/50HZ	R404A G404	*	*	*	\$ 72.02

ADDITIONAL 10\$ FEE FOR ORDERS UNDER \$100 WILL BE APPLIED

PART#	Exploded View	DESCRIPTION	VERS.	model BB1	model BB2	115/60	2022 List Prices
A5405105-001	75	RELAY NEK2134U 115V R290 2271155	GREEN		*	*	\$ 34.91
L0102101-001	76	BB1 CONDENSER COPPER PIPE D.6MM-COMPRESSOR	ALL	*		*	\$ 15.07
L0202103-001	76	BB2 CONDENSER COPPER PIPE D.6MM-COMPRESSOR	ALL		*	*	\$ 15.07
DADOD.8ZFLAUT	77	M8 NUT	ALL	*		*	\$ 0.95
DADOD.8ZFLAUT	77	M8 NUT	ALL		*	*	\$ 0.95
VTTE8X35Z	78	SCREW M8X35MM	ALL	*		*	\$ 0.95
VTTE8X35Z	78	SCREW M8X35MM	ALL		*	*	\$ 0.95
A0005110-001	79	PRESSURE SWITCH CONNECTION WIRES	R404A G404	*	*	*	\$ 3.12
A0002101-001	80	R404A PRESSURE SWITCH	R404A G404	*	*	*	\$ 131.10
P0202101-001	81	BB1 IRON AIR CONDENSER STFT12118	ALL	*		*	\$ 100.91
L0002103-001	81	BB2 IRON AIR CONDENSER STFT12218	ALL		*	*	\$ 210.67
VTTE6X12Z	82	SCREW TE 6X12MM	ALL	*	*	*	\$ 0.95
L0202108-001	84	KIT COPPER PIPE D.6MM CUPPER TEE-CUPPER TEE-FILTER BB2	ALL		*	*	\$ 19.41
L0102108-001	85	BB1 DRYER	ALL	*		*	\$ 56.51
A0002113-001	85	BB2 DRYER	ALL		*	*	\$ 65.55
L0102103-001	86	COPPER PIPE D.6MM TEE-PRESSURE SWITCH A0002101-001 or A0002122-002	ALL	*		*	\$ 15.07
L0102103-001	86	COPPER PIPE D.6MM TEE-PRESSURE SWITCH A0002101-001 or A0002122-002	ALL		*	*	\$ 15.07
A0102103-002	87	OLAB 1 WAY BODY VALVE NC DN2 K09214-B	ALL	*		*	\$ 71.54
A0302101-002	87	OLAB 3 WAY BODY VALVE NC DN1,2 K09122-A	ALL		*	*	\$ 187.81
AA605101-001	88	CEME COIL 5C R04/RP1 100-120/50-60HZ UR	ALL		*	*	\$ 52.11
AA005102-001	88	OLAB COIL 120/50-60 UL 11000BH/G6IU-2 OLAB	ALL	*	*	*	\$ 52.11
P0002110-001	89	BB1 0,91MMX3700MM CAPILLARY	R404A G404	*		*	\$ 5.61
A0002109-001	89	BB2 0,91MMX5000MM CAPILLARY	ALL		*	*	\$ 16.82
TEEDIRAMED6	90	D.6 CUPPER TEE	ALL		*	*	\$ 1.56
L0105101-001	91	BIG BIZ 1 ELECTRIC INSTALLATION	R404A	*		*	\$ 66.21
L0105104-001	91	BIG BIZ 1 GREEN ELECTRIC INSTALLATION	GREEN G404	*		*	\$ 108.35
L0205101-001	91	BIG BIZ 2 ELECTRIC INSTALLATION	R404A		*	*	\$ 90.28
L0205101-003	91	BIG BIZ 2 /BLARGE 2 GREEN ELECTRIC INSTALLATION +TIMER	GREEN G404		*	*	\$ 132.43
A0005103-001	92	FAST FUSE 315MA 5X20	ALL	*	*	*	\$ 2.07
L0003101-002	93	ADAPTER FOR COLD DRINK 07_2014	ALL	*	*	*	\$ 12.77
AA005101-001	95	POWER RELAY 120V 668281100300	ALL	*		*	\$ 36.48
M0005151-001	96	POWER CORD SCREW TERMINAL BOARD	ALL	*	*	*	\$ 7.69
A0006113-001	98	BLACK PLASTIC AIR FILTER	ALL	*	*	*	\$ 51.09
A0006113-003	98	YELLOW PLASTIC AIR FILTER	ALL	*	*	*	\$ 51.09
A0006113-004	98	BLUE PLASTIC AIR FILTER	ALL	*	*	*	\$ 51.09
A0006113-005	98	WHITE PLASTIC AIR FILTER	ALL	*	*	*	\$ 51.09
V4012201M3WBM	99	ALUMINUM FAN BLADE 200/34°	ALL		*	*	\$ 5.93
A0000115-001	100	SCREW TE M5X20MM	ALL	*	*	*	\$ 0.95
M0003138-001	108	HANDLE FOR DISABLE PEOPLE	ALL	*	*	*	\$ 76.63
M0004102-001	109	HORIZONTAL AUGER BUSHING untill S/N 130602000	ALL	*	*	*	\$ 5.06
B0006113-001	110	COVER UNLOCK KEY	ALL	*	*	*	\$ 15.34
A0005122-002	113	BRUSHLESS GEAR MOTOR	GREEN G404	*	*	*	\$ 618.82
A0105101-001	114	POWER SWITCHING 100-240/24 LRS 50-24	GREEN G404	*	*	*	\$ 231.15
A0002122-002	115	R290 PRESSURE SWITCH NSDHA11B13101	GREEN	*		*	\$ 131.23
A0002122-002	115	R290 PRESSURE SWITCH NSDHA11B13101	GREEN		*	*	\$ 131.23
A0002123-002	116	R404A PRESSURE SWITCH NSDHM00D12100	R404A	*		*	\$ 132.43
A0002123-002	116	R404A PRESSURE SWITCH NSDHM00D12100	R404A		*	*	\$ 132.43
L0002115-001	117	COPPER TUBE D.6 TEE-PRES. SWI. A0002123-002 BB/BL	R404A	*	*	*	\$ 25.28