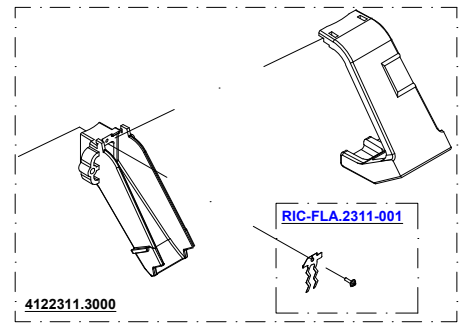
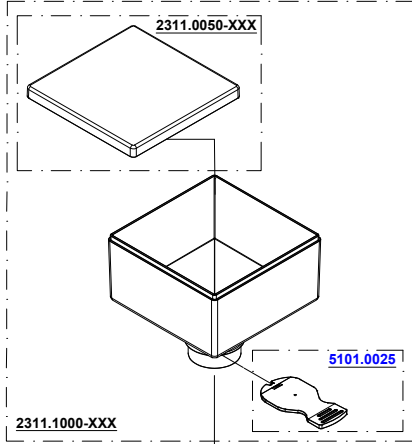




MIGNON DESIGN

12/07/2023

110V/60Hz
 220V/60Hz
 220-230V/50Hz
 230-240V/50Hz



2311.0003GKIT
 2311.0003-951KIT

2311.0035A0R03-XXG

RIC-PMS.2320-001

MAC55ITAv1802 CP

2311.0026KIT

6040.0023

E16

2311.0004KIT

2311.0029

2312.0012v1904EU

2312.0114

2312.0020-951KE130
 2313.0020G-KITE130

2312.0020GKIT
 2312.0020-951KIT

2311.0100

2311.1800

1013.0008-WM (8uF)(220V)
 1013.0020-WM (20uF)(110V)

2313.0002KIT220-DSG (220V)
 2313.0002KIT110-DSG (110V)

6040.0063KIT

1005.0240F5A G.B. - U.K.
 1005.0225 SCHUKO 1.2 mt
 1005.0110 USA
 1005.4220 SVIZZERA - SWITZERLAND
 1005.1250 COREA - KOREA

N.B. : DOVE INDICATO CON "XXX" SI RICHIEDE DI SPECIFICARE IL COLORE
 PLEASE NOTE : WHERE "XXX" IS INDICATED YOU HAVE TO SPECIFY THE COLOUR



**YOUR COFFEE
EXPERIENCE**

Listino ricambi/ Spare Parts Price List MIGNON DESIGN

ARTICOLO ITEM N°	DESCRIZIONE DESCRIPTION
1005.0110	CABLAGGIO UL/CSA V110 USA/CANADA PLUG V110
1005.0225	CABLAGGIO MONOFASE mt.1,20 spina schuko SCHUKO PLUG 1.2 mt V220
1005.1250	CABLAGGIO VOLT. 220 per Korea KOREA PLUG V220
1005.4220	CABLAGGIO MONOFASE per Svizzera SWITZERLAND PLUG V220-230
2311.0023	TASSELLO PORTAFILTRO MIGNON ME/MP FILTER HOLDER
2311.0029	GUARNIZIONE POMELLO MIGNON v. 1708 MIGNON KNOB SEAL
2311.0100	KIT MICRO ME 1000.0009+CAV73+6062.0018-0 MICRO ACTIVATION SWITCH
2311.1800	KIT FORCELLA REGOLABILE MIGNON ME/MP ADJUSTABLE FORK
2312.0114	CAVO COLLEGAMENTO ALIM/DPY x MGv1708 DISPLAY CABLE FOR MIGNON
5101.0025	LINGUETTA CAMPANA ME / RRF HOPPER CLOSING TAB
6040.0023	FERMACAVO DA PANNELLO MM. 13 CABLE CLAMP MM. 13
4122311.3000	GRUPPO SCIVOLO CAFFE' x MIGNON NUOVO COFFEE EXIT SLIDE GROUP
1005.0240F5A	CABLAGGIO VOLT. 240 per GB + fus. 5A U.K. PLUG V230-240
1013.0008-WM	CONDENSATORE 8MF 425-475-500Vac 50/60Hz CAPACITOR 8 μ F 425-475-500Vac 50/60Hz
1013.0020-WM	COND. 20MF 400-450Vac 50/60Hz (UL) CAPACITOR 20MF 400-450Vac 50/60Hz
2311.0003-951KIT	KIT COPERCHIO CROMO MIGNON ME TOP COVER KIT (CHROME)
2311.0003GKIT	KIT COPERCHIO NERO MIGNON ME TOP COVER KIT (BLACK)



**YOUR COFFEE
EXPERIENCE**

Listino ricambi/ Spare Parts Price List **MIGNON DESIGN**

2311.0004KIT	KIT POMELLO NERO MIGNON SILENT BLACK KNOB KIT
2311.0026KIT	KIT SCUDETTO EUREKA MIGNON SILENT EUREKA 1920 LOGO KIT w/ SCREW
2311.0035A0R03-XXG	GUARNIZIONE CAMPANA MIGNON BEAN HOPPER SEAL
2311.0050-751	COPERCHIO CAMPANA ME -riv.ROVERE "WENGE" HOPPER LID (WENGE OAK)
2311.0050-752	COPERCHIO CAMPANA ME -riv. ROVERE "NOCE" HOPPER LID (WALNUT OAK)
2311.0050-753	COPERCHIO CAMPANA ME ROVERE SBIANCATO HOPPER LID (WHITENED OAK)
2311.0050-754	COPERCHIO CAMPANA ME ROVERE NATURALE HOPPER LID (NATURAL OAK)
2311.0050-775	COPERCHIO CAMPANA ME -riv. PELLE MARRONE HOPPER LID (BROWN LEATHER)
2311.0050-776	COPERCHIO CAMPANA ME -riv. PELLE ROSSA HOPPER LID (RED LEATHER)
2311.1000-751	CAMPANA MIGNON ME 300gr. WENGE' BEAN HOPPER w/ WENGE OAK LID
2311.1000-752	CAMPANA MIGNON ME 300gr. NOCE BEAN HOPPER w/ WALNUT OAK LID
2311.1000-753	CAMPANA MIGNON ME 300gr.ROVERE SBIANCATO BEAN HOPPER w/ WHITENED OAK LID
2311.1000-754	CAMPANA MIGNON ME 300gr. ROVERE NAT. BEAN HOPPER w/ NATURAL OAK LID
2311.1000-775	CAMPANA MIGNON ME 300gr. PELLE MARRONE BEAN HOPPER w/ BROWN LEATHER LID
2311.1000-776	CAMPANA MIGNON ME 300gr. PELLE ROSSA BEAN HOPPER w/ RED LEATHER LID
2312.0012v1904EU	SK DPY TOUCH MIGNON ME/MP EUREKA v.19/04 TOUCHSCREEN DISPLAY UNIT
2312.0020-951KE130	KIT PANNELLO DISPLAY ME CROMO + E130 FRONT COVER KIT (CHROME)
2312.0020-951KIT	KIT PANNELLO DISPLAY ME CROMO DISPLAY PANEL KIT (CHROME)
2312.0020GKIT	KIT PANNELLO DISPLAY ME NERO DISPLAY PANEL KIT (BLACK)



YOUR COFFEE
EXPERIENCE

Listino ricambi/ Spare Parts Price List MIGNON DESIGN

2313.0002KIT110-DSG	KIT BASE DESIGN NO DPY 110V BASE GROUP V110
2313.0002KIT220-DSG	KIT BASE DESIGN NO DPY 220V BASE GROUP V220
2313.0020G-KITE130	KIT PANNELLO DISPLAY ME GOFFR. + E130 FRONT COVER KIT (BLACK)
6040.0063KIT	KIT PIEDINI BASE PLASTIC FEET KIT
6060.5000-DPY	KIT VITERIE x MIGNON con display MOUNTING SCREW KIT MIGNON
E16	ETICHETTA FINE GROSSO FAMIGLIA MIGNON KNOB'S LABEL
MAC55ITAv1802 CP	COPPIA MACINA PIANA mm.55 DE/GC FLAT BURRS SET 55mm
RIC-FLA.2311-001	RIC. FLAP_FILTERO SILENT_STD FLAP KIT
RIC-PMS.2320-001	RIC. PORTAMACSUP_55mm_STD UPPER BURR HOLDER 55mm STD

- Gli articoli evidenziati sono i ricambi delle parti soggette a maggiore usura, e quindi il loro approvvigionamento è particolarmente consigliato
- Tutti i prezzi si intendono IVA esclusa
- La merce viene venduta franco fabbrica a Sesto Fiorentino (FI) e viaggia a rischio del committente.

- The items highlighted are the spare parts of the pieces subject to greater wear, and therefore their supply is particularly recommended
- All prices are intended VAT excluded
- Goods are sold ex works from Sesto Fiorentino (FI), Italy and travel at the risk of the Customer