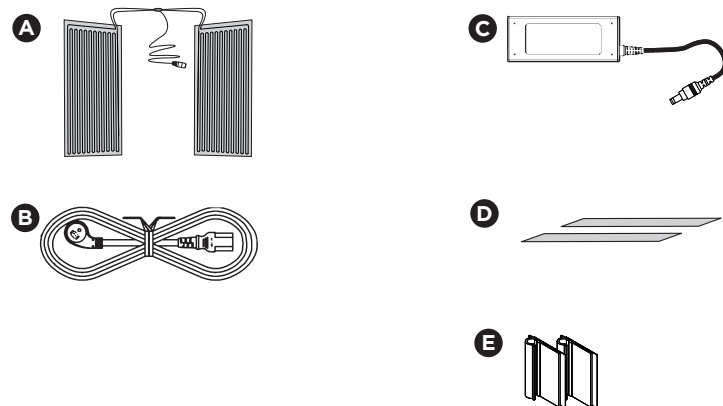


# Installation Instructions for Single-Door Freezer and Refrigerator Pairing Kit

We recommend an authorized service technician install the pairing kit.

## Components



## Contains:

Part	Part number	Qty.
<b>A Heater Assembly:</b> 12V 10W 14.4Ω, Aluminum foil sandwich, PVC wire insulation, Acrylic adhesive, 5.5 mm x 2.5 mm barrel connector spliced in heater assembly	A21442902	1
<b>B AC Power Cable:</b> Ultra low profile 6ft NEMA 5-15P to C13 Angled Power Cord, 3 pin plug	A21545701	1
<b>C Power Supply:</b> 12V 60W AC/DC Adapter, 5.5mm x 2.5mm x 10.5 mm plug connector	A21545401	1
<b>D Double-sided Tape</b>	316237303	2
<b>E Clips</b>	218990901	6

**Recommended Tool:** Gloves

## IMPORTANT

Make sure there are two separate dedicated grounding-type duplex wall outlets for the freezer and the refrigerator as specified in **IMPORTANT SAFETY INFORMATION** in the Use & Care Manual.

## Installation

Before cleaning your appliance, turn off power to your appliance by unplugging the power cord from the electrical outlet. Wipe down both sides of the refrigerator and the freezer.

## NOTE

Never use CHLORIDE to clean stainless steel. Clean stainless-steel front and handles with non-abrasive soapy water and a dishcloth. Rinse with clean water and a soft cloth. Wipe stubborn spots with an ammonia-soaked paper towel, and rinse. Use a non-abrasive stainless-steel cleaner, such as **Frigidaire ReadyClean™ Stainless Steel Cleaner** found on Frigidaire.com. Always follow the manufacturer's instruction

## NOTE

Always, clean, wipe and dry with the grain to prevent scratching. Wash the rest of the cabinet with warm water and mild liquid detergent. Rinse well and wipe dry with a clean soft cloth.

## CAUTION

The cabinet is heavy. We recommend two people to lift or move the cabinet.

- If you use the dual installation trim kit, install the levelers on the units before installing the heater (Fig. 1).

**NOTE:** Please refer to **Single-Door All Refrigerator and All Freezer Trim Kit Installation** Instruction.

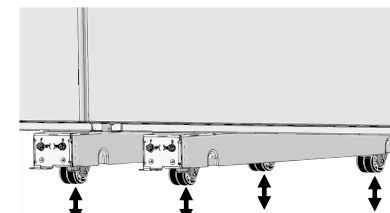


Fig. 1

## CAUTION

Use gloves for the next step.

- Peel off the paper backing from the first heater.
- Adhere the first heater to the upper right side of the left-side unit (0.5in from the top and 0.5" from the back wall) so the harnesses come out at the bottom.

**NOTE:** Make sure you adhere the heater completely with no air pockets (Fig. 2A).

- Peel off the paper backing from the second heater.
- Adhere the second heater to the lower left side of the right-side unit (0.5" from the bottom and 0.5" from the back wall) so the harnesses come out at the top.

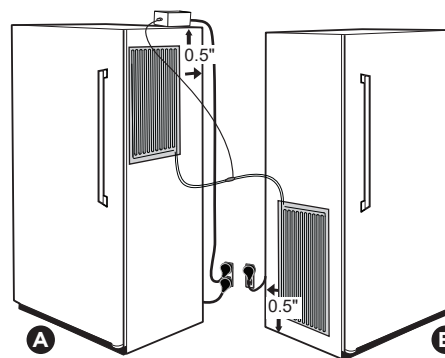
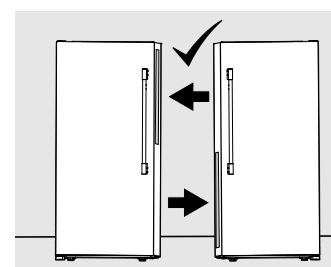


Fig. 2

**NOTE:** Make sure you adhere the heater completely with no air pockets (Fig. 2B).

## Avoid:

- Both heaters on the Freezer
- Both heaters on the Refrigerator
- Both heaters on the top
- Both heaters on the bottom
- Both heaters in the center



- Plug in the connector of the two Heaters A into the Power Supply C (Fig. 3).

**NOTE:** Confirm the power supply fits into the cutout when placed on top of the unit.

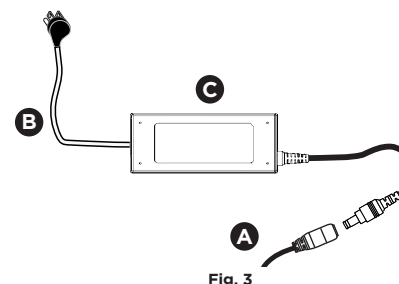


Fig. 3

Also confirm the power supply reaches the power outlet when placed on top of the unit (Fig. 4A).

- Apply the 2 strips of double-sided tape to the power supply and adhere the power supply on top of the unit (Fig. 4B).
- If the power supply cannot be placed

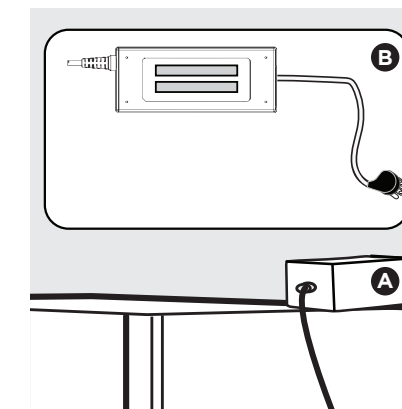


Fig. 4

on top of the unit, adhere it vertically on the back wall of the unit and make sure the connection of the 3-prong connector to the power supply is facing down (Fig. 5).

**NOTE:** You cannot feel the heater temperature.

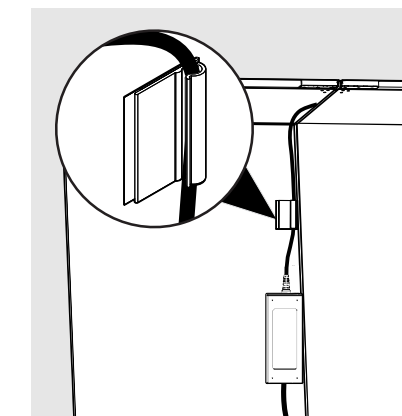


Fig. 5

- Push the two units together.
- Use the clips provided to hold the excess power cords to the back of the units such that all wires are away from the floor (Fig. 6).

**NOTE:** Make sure the harnesses and cables are cleared off the floor before the units are pushed back in place. This will prevent any damage to the wires.

**NOTE:** The location of clips shown is an example.

- Plug the power supply into the main outlet before pushing the units into the final position.
- Units can now be installed.

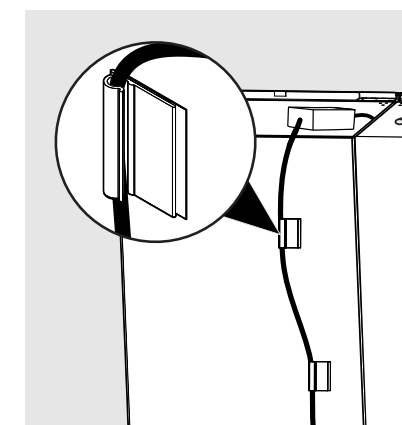


Fig. 6

## Final Checklist

- Wipe down units
- Heater 1 on top right side of the freezer
- Heater 2 on bottom left side of the refrigerator
- Heater plugged into power supply
- Power supply adhered to desired position
- Power cables held away from the floor with the help of clips
- Power supply plugged into the outlet and green LED on