

S11 TAMPER PROOF PRODUCT INSTRUCTIONS

Cleaning Instructions

1. Place can opener in base and lift handle to vertical (up) position.
2. **To clean the knife holder-** Remove screw Edlund part #S557 (SEE DRAWING) and take out knife holder.
3. **To clean the knife-** Loosen screw Edlund part #S560 and slide knife down. (Be careful not to lose lock washer W020 which helps secure the S560)
4. **To clean the drive gear-** Lower handle to horizontal (down) position, wedge the gear to prevent rotation while turning the handle counter clockwise. This will unthread the handle from the gear and main assembly. Unscrew the gear and remove parts for cleaning.
5. **To clean as unit-** Remove S558 to remove can opener from base and (3x) S559 to remove base from table.
6. **All parts are dishwasher safe-** Parts should be inspected for wear and replaced when worn before reassembly.

***IMPORTANT-** A WORN KNIFE CAN CAUSE METAL SLIVERS. NEVER SHARPEN A CAN OPENER BLADE. BLADE IS REVERSIBLE AND SHOULD BE REPLACE EVERY 2500 CANS.

Operating instructions



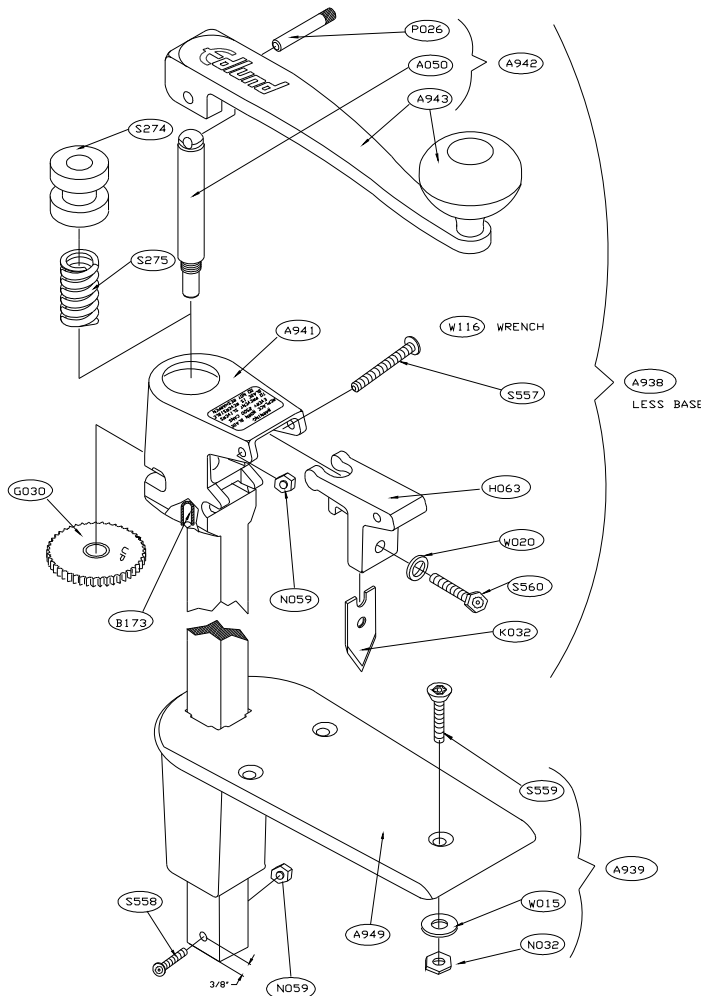
1. With handle in upright position, place can on base under cutting knife. Hold handle and punch down to puncture top of can.



2. Lower handle and turn clockwise. This rotates can until lid is cut out. Lid will drop into can and should be removed with tongs or gloves to protect hand from sharp edges of lid.



3. Raise handle to upright position and lift to remove open can.



Parts List

| PART # | U/M | DESCRIPTION |
|--------|------|---|
| A050 | EA. | ARBOR, S-11 |
| A938 | EA. | ASSEMBLY, S-11 TAMPERPROOF MAIN |
| A939 | EA. | ASSEMBLY, TAMPERPROOF HRWR PKG. |
| A941 | EA. | WELDMT & ASSEMBLY, S-11 HEAD TUBE |
| A942 | EA. | ASSEMBLY, S-11 HANDLE/ARBOR |
| A943 | EA. | WELDMT, S-11 HANDLE/KNOB |
| A949SP | EA. | WELDMT, S-11 BASE |
| B173 | EA. | BEARING, S-11 .50DX.313IDX.56 |
| G030M | BOX | GEARS, S-11/U-12 BOX OF 24 |
| G030SP | PKG. | GEAR, S-11/U-12 SINGLE PACK |
| H063 | EA. | HOLDER, S-11 KNIFE, FINISHED |
| I066 | EA. | INSERT, U-12/G-2/S-11 SLIDE BAR, PAIR (N/S) |
| K032M | BOX | KNIVES, S-11/U-12 BOX OF 24 |
| K032SP | PKG. | KNIFE, S-11/U-12 SINGLE PACK |
| N032 | EA. | NUT, 1/4-20 S/S NYLOCK |
| N059 | EA. | NUT, 10-32 S/S NYLOCK |
| P026 | EA. | PIN, S-11/U-12 KNURL |
| S274 | EA. | SPOOL, S-11 |
| S275 | EA. | SPRING, S-11 |
| S559 | EA. | SCREW, 1/4-20 X 1 S/S FL. HD. PIN IN HD |
| S557 | EA. | SCREW, 10-32 X 2 S/S PIN IN HEX BUTN HD |
| S558 | EA. | SCREW, 10-32 X 1.1/4 S/S PIN HEX BTN HD |
| S560 | EA. | SCREW, 1/4-20 X 5/8 S/S PIN HEX BUTN H |
| W015 | EA. | WASHER, 1/4 S/S FLAT |
| W020 | EA. | WASHER, 1/4 S/S LOCK |
| W116 | EA. | WRENCH, 5/32 PIN IN HEX TAMPER PROOF L |