



SAFETY & OPERATING INSTRUCTIONS



CROWN PUNCH CAN OPENER, Model 625A
With Alligator Lid Remover

⚠ WARNING

**READ AND UNDERSTAND THIS MANUAL AND ALL INSTRUCTIONS
BEFORE OPERATING THIS OPENER.**

Table of Contents

Conventions used in this manual	1
Specifications for the Edlund CROWN PUNCH CAN OPENER, Model 625A	2
CHAPTER 2 - GENERAL SAFETY RULES	3
Labels	3
Operating the Opener Safely	4
Safety with the Crown Punch Machine	5
Additional Information and Potential Changes.....	5
CHAPTER 3 - OPERATING YOUR EDLUND CROWN PUNCH CAN OPENER 625A	6
Using the EDLUND CROWN CAN OPENER 625A	6
EDLUND CROWN PUNCH CAN OPENER 625A Controls and Features	7
CHAPTER 4 - MAINTAINING THE EDLUND CROWN PUNCH CAN OPENER 625A	8
Adjusting the Head	8
Changing and Cleaning the Crown Punch	9
Alligator Adjustments	11
CHAPTER 5 - TROUBLESHOOTING	13
Troubleshooting Table	13
CHAPTER 6 - PARTS LISTS, DIAGRAMS AND WARRANTY	15
Parts List - Alligator Assembly, Model 625A	15
Alligator Assembly, Model 625A.....	16
Parts List - Head Assembly, Model 625A	17
Head Assembly, Model 625A.....	19
Parts List - Main Assembly, Model 625A	20
Main Assembly, Model 625A	21
Parts List - Control Box, 625A	22
Control Box, 625A	24
Warranty	26

This manual will help you set up and safely operate your new Edlund CROWN PUNCH CAN OPENER. Careful adherence to the safety and operating instructions in this manual will ensure many years of productive use. Please let us know of any questions you may have. To expedite your call, please have your serial number and/or order number handy. For technical assistance, please call Toll-Free 1-800-772-2126 and one of our Technical Support Representatives will be happy to help you.

Conventions used in this manual

WARNING (ORANGE)

THIS INDICATES A POTENTIALLY HAZARDOUS SITUATION, WHICH, IF NOT AVOIDED, COULD RESULT IN DEATH OR SERIOUS INJURY.

CAUTION (YELLOW)

THIS INDICATES A POTENTIALLY HAZARDOUS SITUATION, WHICH, IF NOT AVOIDED, MAY RESULT IN MINOR OR MODERATE INJURY.

NOTICE!

THIS INFORMATION IS IMPORTANT IN THE PROPER USE OF YOUR OPENER. FAILURE TO FOLLOW THIS INSTRUCTION COULD RESULT IN DAMAGE TO YOUR OPENER.

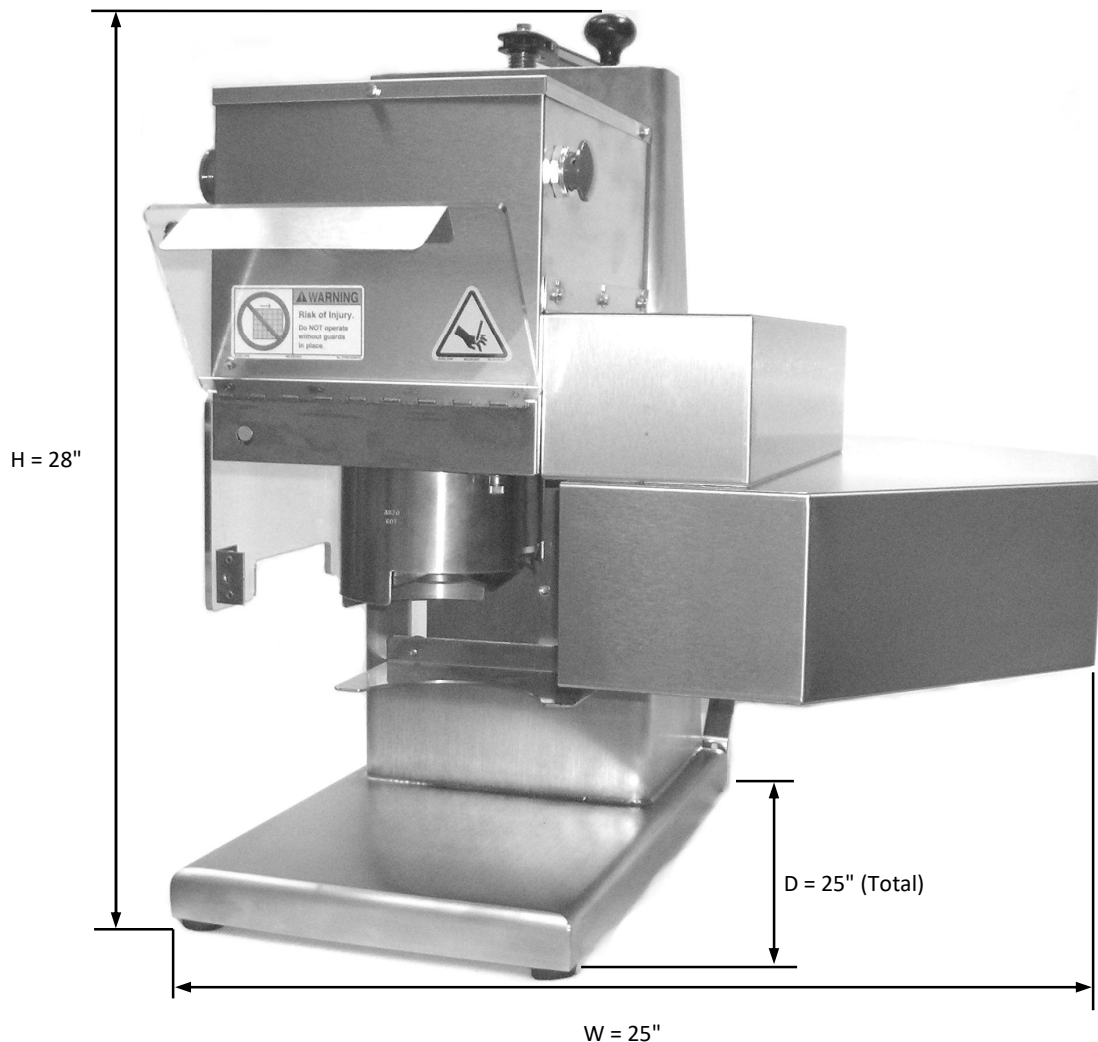
Tip: This is a helpful hint to guide you in getting the most out of your Edlund CROWN PUNCH CAN OPENER.

Tools Needed: This indicates you will need a specific tool to perform a maintenance function on your Edlund CROWN PUNCH CAN OPENER.

NOTE: This information may be helpful to you.

Specifications for the Edlund CROWN PUNCH CAN OPENER, Model 625A

PRODUCT CODE	62700 or 62799 (International)
CASE CUBE - Ft. ³ /M ³	24/.7
MASTER CASE	1
CASE WEIGHT - LBS./KGS.	260/117
AIR LINE REQUIRED	85 P.S.I. at 2 C.F.M.
LIDS REMOVED	Up to 2,500 per day
MACHINE DIMENSIONS	W x L x H
AIR CONNECTION	¼ NPT or Quick Disconnect



CHAPTER 2 - GENERAL SAFETY RULES

WARNING

READ THIS SAFETY AND OPERATING MANUAL BEFORE YOU USE THE EDLUND CROWN PUNCH CAN OPENER. BECOME FAMILIAR WITH THE SERVICE RECOMMENDATIONS TO ENSURE THE BEST PERFORMANCE FROM YOUR OPENER.

Labels

Your Edlund CROWN PUNCH CAN OPENER carries prominent labels as reminders for its proper and safe use. Shown below are copies of all the labels that appear on the equipment. Take a moment to study them and make a note of their location on your Edlund CROWN PUNCH CAN OPENER as you assemble and *before* you operate the opener. Replace damaged or missing safety and information labels immediately.

MODEL 625A
AIR LOGIC CAN OPENER
PRESSURE=2CFM @85 PSIG MIN. (5.27 l/min)
EDLUND CO. INC. PH# 80

#L222A

PROCEDURE TO CLEAN AFTER EACH USE

- 1) Disconnect air, and remove the splash guard.
- 2) Wear hand protection when handling the crown punch and can lids.
- 3) Remove guard ring, clip and crown punch. To prevent damage, support the crown punch with one hand while removing the retaining clip. Check crown punch for damage, this may cause slivers. If damage is found send the crown punch to the factory for re-conditioning.
- 4) Wash food contact area and outer surfaces with mild soap and water to clean and protect the machine. The crown punch can be sanitized in a dishwasher.
- 5) Replace the crown punch, clip, guard ring and splash guard before the air is reconnected. The can opener can now be tested for operation.

L213

#L213



#L316



Cut Hazard #L211



Hearing Protection Required #L411

Operating the Opener Safely

WARNING

THIS IS A POWERFUL MACHINE. YOU MUST OPERATE THE OPENER SAFELY. UNSAFE OPERATION MAY RESULT IN A NUMBER OF HAZARDOUS CONDITIONS. THIS MACHINE CAN CUT, AND SEVER PARTS OF YOUR BODY IF THEY BECOME CAUGHT BETWEEN THE KNIFE/MAGNET ASSEMBLY AND THE CAN BEING OPENED. ALWAYS TAKE THE FOLLOWING PRECAUTIONS WHEN USING THIS OPENER:

- NEVER ALLOW PEOPLE WHO ARE UNFAMILIAR WITH THESE INSTRUCTIONS TO USE THE CROWN PUNCH CAN OPENER.
 - NEVER ALLOW CHILDREN TO OPERATE THE OPENER.
 - NEVER TEAM UP WITH ANOTHER PERSON TO OPERATE THE OPENER CONTROLS – THIS IS A ONE PERSON JOB.
 - DO NOT ALLOW ANY PERSON NEAR CROWN PUNCH OR LID REMOVER WHILE YOU ARE OPERATING THE MACHINE. THE FAST, HIGH FORCES OF THE AIR CYLINDERS THAT OPERATE THE CROWN PUNCH AND LID REMOVER CAN CAUSE SERIOUS INJURIES. THE TWO HAND CONTROLS AND GUARDS KEEP THE OPERATOR AWAY FROM THESE SHARP, MOVING PARTS.
 - DO NOT ATTEMPT TO OPEN A CAN OF A DIFFERENT SIZE OTHER THAN THE ONE RECOMMENDED FOR THE CROWN PUNCH INSTALLED IN THE OPENER.
 - ALWAYS OPERATE THE OPENER FROM DIRECTLY IN FRONT OF THE MACHINE.
 - ALWAYS DISCONNECT THE AIR SUPPLY BEFORE ADJUSTING OR SERVICING THE MACHINE.
 - DO NOT MOVE OR REPOSITION THE OPENER WITH THE CROWN PUNCH/MAGNET IN MOTION.
 - DO NOT, UNDER ANY CONDITIONS, REMOVE, BEND, CUT, FIT, WELD, OR OTHERWISE ALTER STANDARD PARTS ON THE EDLUND CROWN PUNCH CAN OPENER. MODIFICATIONS TO YOUR MACHINE COULD CAUSE PERSONAL INJURIES AND WILL VOID YOUR WARRANTY.
 - CHECK THE CROWN PUNCH FOR WEAR, CRACKS, DENTS, SHARP EDGES OR BENT TEETH THAT COULD CAUSE METAL SLIVERS AND TRAPPED FOOD THAT COULD LEAD TO SICKNESS OR INTERNAL INJURIES IF THE CAN CONTENTS BECOME CONTAMINATED.
 - DO NOT OPERATE THE MACHINE WHEN UNDER THE INFLUENCE OF ALCOHOL, DRUGS, OR MEDICATION.
 - INSPECT THE MACHINE BEFORE AND AFTER OPERATING EACH DAY OR SHIFT AND AFTER ANY CHANGE OR ADJUSTMENT FOR:
 - ⇒ LOOSE SCREWS,
 - ⇒ ALL COVERS AND GUARDS ARE IN PLACE,
 - ⇒ THE ALIGNMENT OF MOVING PARTS,
 - ⇒ DAMAGED OR WORN PARTS,
 - ⇒ NO BROKEN WELDS
 - ⇒ THE OPENER HAS BEEN CLEANED THOROUGHLY.
-

Safety with the Crown Punch Machine

CAUTION

THIS IS A POWERFUL MACHINE. THE OPENER MUST BE OPERATED SAFELY TO PREVENT OR MINIMIZE THE RISK OF MINOR OR MODERATE INJURY. UNSAFE OPERATION MAY RESULT IN A NUMBER OF HAZARDOUS CONDITIONS. ALWAYS TAKE THE FOLLOWING PRECAUTIONS WHEN OPERATING THIS MACHINE:

- WE RECOMMEND WEARING PROTECTIVE GOGGLES OR SAFETY GLASSES WITH SIDE SHIELDS WHILE OPENING CANS TO PROTECT YOUR EYES FROM POSSIBLE SPLASHING OF LIQUID FROM THE CAN.
 - WE RECOMMEND WEARING SAFETY SHOES WHEN USING YOUR EDLUND CROWN PUNCH CAN OPENER TO PREVENT INJURY IN CASE YOU DROP A CAN.
 - AVOID WEARING LOOSE CLOTHING OR JEWELRY, WHICH CAN CATCH ON THE OPENER'S MOVING PARTS.
-

Tip: Reference page 13 for troubleshooting tips.

No list of Warnings and Cautions can be all-inclusive. If situations occur that are not covered by this manual, the operator must apply common sense and operate this Opener in a safe manner.

Additional Information and Potential Changes

The Edlund Company, Inc. reserves the right to discontinue, change, and improve its products at any time without notice or obligation to the purchaser. The descriptions and specifications contained in this manual were in effect at printing. Equipment described within this manual may be optional. Some illustrations may not be applicable to your machine.

CHAPTER 3 - OPERATING YOUR EDLUND CROWN PUNCH CAN OPENER 625A

This chapter covers the procedures for operating your new EDLUND CROWN PUNCH CAN OPENER 625A and discusses basic operation features. The EDLUND CROWN PUNCH CAN OPENER 625A is a pneumatic can opener and uses 2 CFM of air at a recommended pressure of 85 PSIG and comes with an air filter/regulator installed in the input air line immediately preceding the unit. Lubrication is not necessary but clean, dry air will prolong the life of the unit. You may connect the opener to the airline using the quick disconnect coupling furnished and a length of air hose. You may find it helpful to review the Controls and Features on page 8.

Using the EDLUND CROWN CAN OPENER 625A

1. Connect a 1/2" diameter air hose and set inlet pressure to 85 PSIG min.
2. Place the can you are opening on the Base against the Can Locator and Knife Guard Tab (Figure 1). This will align the can with the Knife Guard at the top of the Opener (Figure 1).
3. Press both of the green Actuator Buttons (Figure 1) on sides of the Opener head at the same time. Hold the Buttons in until the can opens and the Lid Remover grabs the lid, and then release both Buttons. The Crown Punch will retract to its starting position and the Lid will be dropped at the rear of the opener.
4. Remove the can and repeat steps 3 and 4 as required.

NOTICE!

THE MODEL 625A OPENER IS FACTORY ADJUSTED TO OPEN A STANDARD #10 CAN OR THE PARTICULAR SIZE CAN ORDERED. THE CROWN PUNCH SHOULD PENETRATE THE CAN JUST FAR ENOUGH TO REMOVE THE LID BUT NOT SO FAR AS TO CAUSE EXCESSIVE SPLASHING OF LIQUID IN THE CAN. IF A HEIGHT ADJUSTMENT IS REQUIRED, SEE "ADJUSTING THE HEAD" IN CHAPTER 4.

EDLUND CROWN PUNCH CAN OPENER 625A Controls and Features

NOTE: The model shown in Figure 1 may look slightly different from your machine.

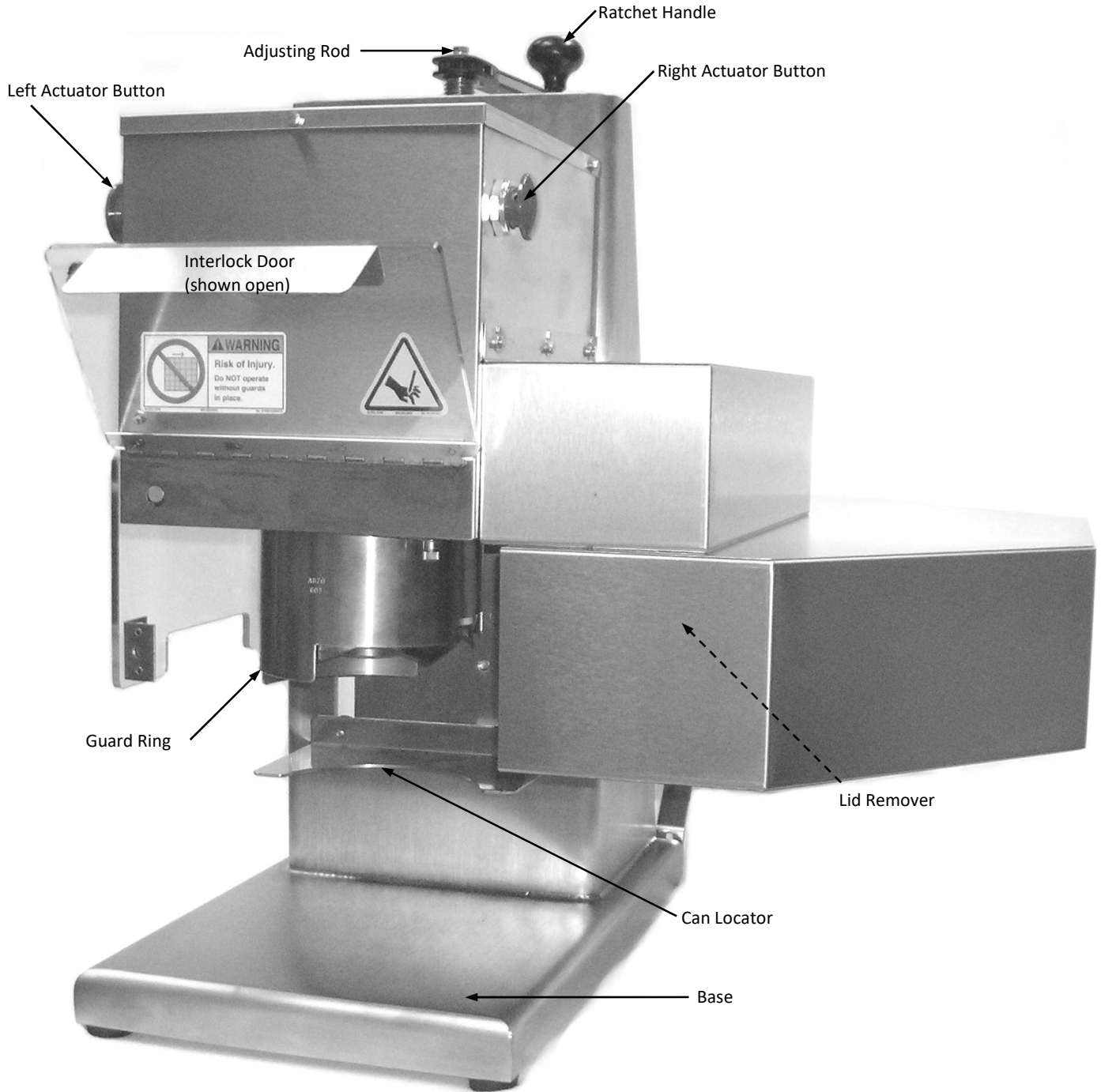


Figure 1

CHAPTER 4 - MAINTAINING THE EDLUND CROWN PUNCH CAN OPENER 625A

This chapter covers regular maintenance procedures that will ensure the best performance and long life of your opener.

Adjusting the Head

WARNING

BEFORE PERFORMING ANY MAINTENANCE, YOU MUST DISCONNECT THE AIR SUPPLY.

Tools Needed:

- 5/8" Sq. Ratchet Handle (supplied)
- 1/8" (3,2mm) to 3/16" (4,8mm) shim (material optional)

1. Place the can that you want to open under Guard Ring.
2. Open the Interlock Door (Figure 1 on page 7).
3. Loosen the four (4) Tee Handles at the rear of the vertical (Figure 2) and raise or lower the Head as needed using the Ratchet Handle on the Adjusting Rod (Figure 2), keeping the can and Guard Ring aligned and level.

Tip: Placing the shim between the can and Guard Ring will help in the set up.

4. Tighten the four (4) Tee Handles or Hex Bolts and close the Interlock Door.

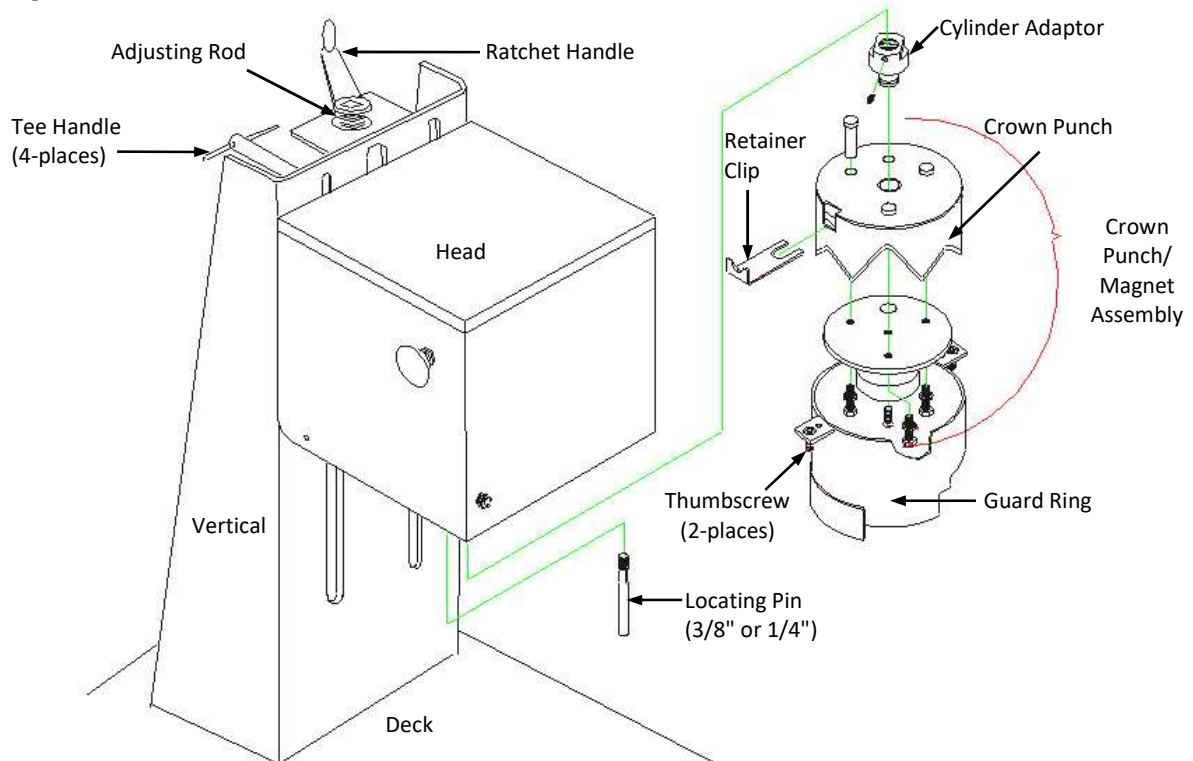


Figure 2

Changing and Cleaning the Crown Punch

To open a different size can, you must use the following procedure to change the Crown Punch.

WARNING

BEFORE PERFORMING ANY MAINTENANCE, YOU MUST DISCONNECT THE AIR SUPPLY.

Tool Needed:

- Flat Head Screwdriver (optional)
1. With one hand, hold up on the Guard Ring (Figure 2 on page 8). With the other hand, unscrew the two (2) Thumbscrews (Figure 2).

Tip: You may need a flat head screwdriver to loosen the screws.

CAUTION

USE CAUTION HANDLING THE KNIFE IN THE NEXT STEP.

2. Take the Guard Ring down and set it aside. Now hold up on the Crown Punch with one hand (being careful of the pointed edges of the Crown Punch), and with the other hand, pull the Retainer Clip out (Figure 2).

Tip: You may have to work the Crown Punch to loosen the Retainer Clip.

3. Set the Crown Punch and Retainer Clip down with Guard Ring.

NOTE: Do not let the Crown punch fall on the Deck.

4. Install the desired Crown Punch, Retainer Clip and Guard Ring in the reverse order.
5. If the Can Locating Pin do not align with the holes in the Crown Punch Knife, rotate it or remove the Pin and use the alternate hole locations (can size 400 or smaller).
6. Place the can that you are opening under the Guard Ring and adjust the Head height described in “Adjusting the Head” on page 8.
7. Operate according to “Using the EDLUND CROWN PUNCH CAN OPENER [625A](#) on page 6.

THIS PAGE INTENTIONUALLY LEFT BLANK

Alligator Adjustments

⚠ WARNING

BEFORE PERFORMING ANY MAINTENANCE, YOU MUST UNPLUG THE OPENER FROM THE POWER SOURCE AND DISCONNECT THE AIR SUPPLY.

Tools Needed:

- 5/16" Wrench
 - 1/2" Wrench
 - 11/16" Wrench
1. Using a 5/16" Wrench, remove the five (5) 10-32 x 3/4" Hex Head Screws and remove the Alligator Cover (Figure 3).
 2. Remove the Guard Ring and Crown Punch Assembly. See steps 1 and 2 on the previous page.
 3. Check the Cylinder Adaptor (Figure 2 on page 8) for chips and try to move it sideways to check the Cylinder for shaft wear or loose mounting screws.
 4. Inspect the Crown Punch Assembly for damage or looseness of parts and repair or replace as necessary.
 5. Check the Locating Pin (Figure 2 on page 8) for tightness and check the Retaining Clip for wear.
 6. Reassemble the Crown Punch Assembly and the Guard Ring.

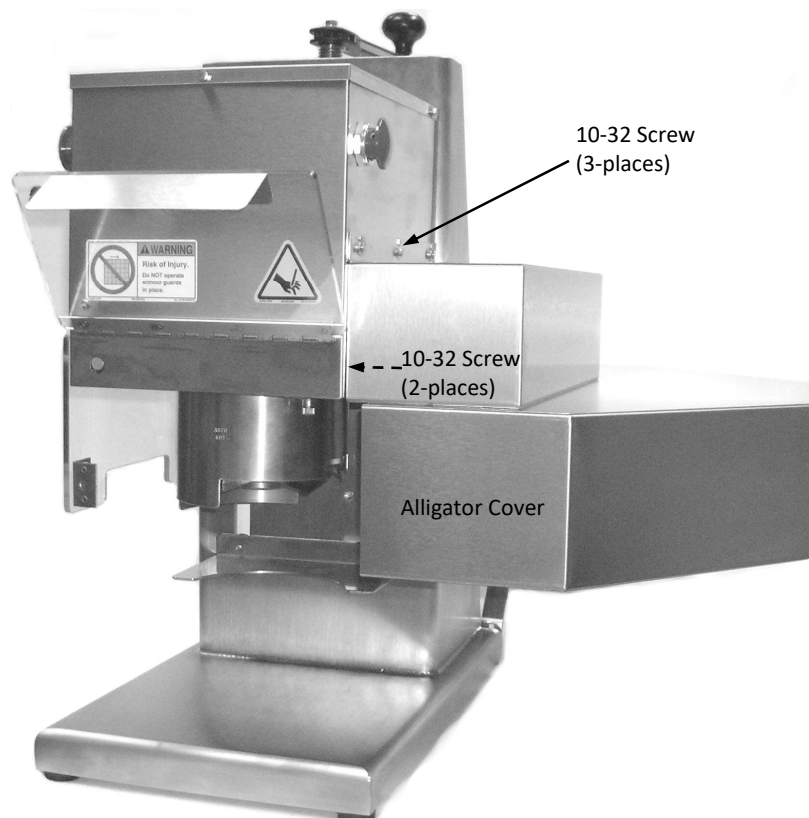


Figure 3

NOTE: Reference the Alligator Assembly on page 19 for steps 8 through 11.

8. Be sure the Alligator Mount (A806) is located in the right position and tight to the Arm (A809). In addition, check the Arm mounting to the Gear Shaft Assembly (A808) to be sure the Pin (P035) is not sheared. Too much play in the Rack and Gear can cause damage to the Crown Punch or Alligator Jaws when grabbing the lid.
9. Make any mechanical adjustments to the Alligator first. Rotate the Alligator into the Crown Punch.
10. If necessary adjust the Upper Jaw Teeth J001 so it just clears the Crown Punch (about 1/16" to 1/8" as it goes between the Crown Punch points in the open position).
11. Using an 11/16" Wrench, loosen the Locknut (N024) on the Rod of the Cylinder (C153M) and adjust the Rod Adaptor (A073) so the Alligator Jaw next to the Clevis (C082) is as close to the Crown Punch as possible (about 1/8") at the end of the Cylinder's stroke. Tighten the Locknuts on the Cylinders C156 (Jaw) and C153M and check the Jaw clearance in the Tooth Valley when the Crown Punch is all the way up. Then make sure when the Jaw is closed and all the way under the Crown Punch, at the end of C153M's stroke, that the Jaw does not hit the Crown Punch.
12. Place a lid on the Magnet as if you just opened a can and then rotate the Alligator in to position. The Lower Jaw should be about 1/8" to 1/4" under the lid and at least 1/8" above the can height. If the Jaw is not bent or the locating pins sheared, the only height adjustment is to loosen the four (4) Mounting Bolts (S055) using a 1/2" Wrench and rotate the assembly, which will raise or lower the Jaw slightly.

 **WARNING**

ONLY QUALIFIED TECHNICIANS SHOULD MAKE THE FOLLOWING ADJUSTMENTS WHEN THE AIR SUPPLY IS CONNECTED.

13. Temporarily replace the Guard Ring and connect the air supply.
14. Open a can and watch the Lid Remover. Slow down the Cylinder with the Flow Controls. The Rod End Control (V043, reference the Alligator Assembly on page 17) controls the speed of approach. Retraction can be slightly faster, but there should be no metal banging.
15. Re-adjust the Cylinder mechanical location if necessary.

CHAPTER 5 - TROUBLESHOOTING

Consult the Troubleshooting Table below for common problems and their solutions. If you continue to experience problems, call our Technical Support Representatives at 1-800-772-2126.

Troubleshooting Table

⚠ WARNING

BEFORE PERFORMING ANY MAINTENANCE, YOU MUST DISCONNECT THE OPENER FROM THE AIR SUPPLY.

SYMPTOM	POSSIBLE CAUSE
Crown Punch will not come down when buttons are pushed.	⇒ Check the air supply (85 psi). ⇒ Disconnect the air supply and remove covers to check adjustment, faulty switches or loose connections.
Air leaks out around cylinder shaft near Crown Punch.	⇒ You must remove the Head Cover (C138N) to pinpoint leaks. Reference the Main Assembly on page 21. Worn seals can cause cylinder end leaks. The cylinder must be removed to repair (with proper seal kit) or the cylinder may need to be replaced.
Air leaks out the 5-way valve (V015S) exhaust.	⇒ The valve (V015S) probably needs replacing. Loosen cylinder top hose to check if only the valve is faulty. If cylinder piston seals are bad, air will come out of the top cylinder port.
Air leaks around one of the V043U valves.	⇒ Check to be sure all connections are tight and the hoses are pushed all the way in. If the flow control valves are stuck or worn out, they can leak around the actuating stem. Replace the valve.
Crown Punch goes down, but will not return.	⇒ A010 Actuator or V002 Valve is faulty.

⚠ WARNING

BEFORE PERFORMING ANY MAINTENANCE, YOU MUST DISCONNECT THE OPENER FROM THE AIR SUPPLY.

SYMPTOM	POSSIBLE CAUSE
Crown Punch fails to open can completely.	<ul style="list-style-type: none">⇒ Inspect Crown Punch for damage – replace or return to the factory for reconditioning.⇒ To check Cylinder stroke, lower S475 – the Crown Punch should come down at least 1-1/2" to the points from the Guard Ring or 5/8" to the valley. The Cylinder may be loose, binding or filled with water or oil and hydraulically locked, repair or replace as necessary.⇒ Adjust the Head Height and Guard Ring to about 1/8-3/16" above the can by loosening Bolts in back and turning the Adjusting Rod. See page 8.⇒ If the lid is still attached near the front or back, check the Head for parallelism to the base. Flexing during operation can be caused by a bent frame or broken welds. Return to factory for repairs if frame is damaged.⇒ If the problem persists, call 1-800-772-2126 for assistance.
Lid does not fall down from Crown Punch.	<ul style="list-style-type: none">⇒ Head needs adjustment for height and level.⇒ Bent or broken magnet pin or magnet. Repair or replace.⇒ Damaged Crown Punch is holding the lid. Repair or replace.

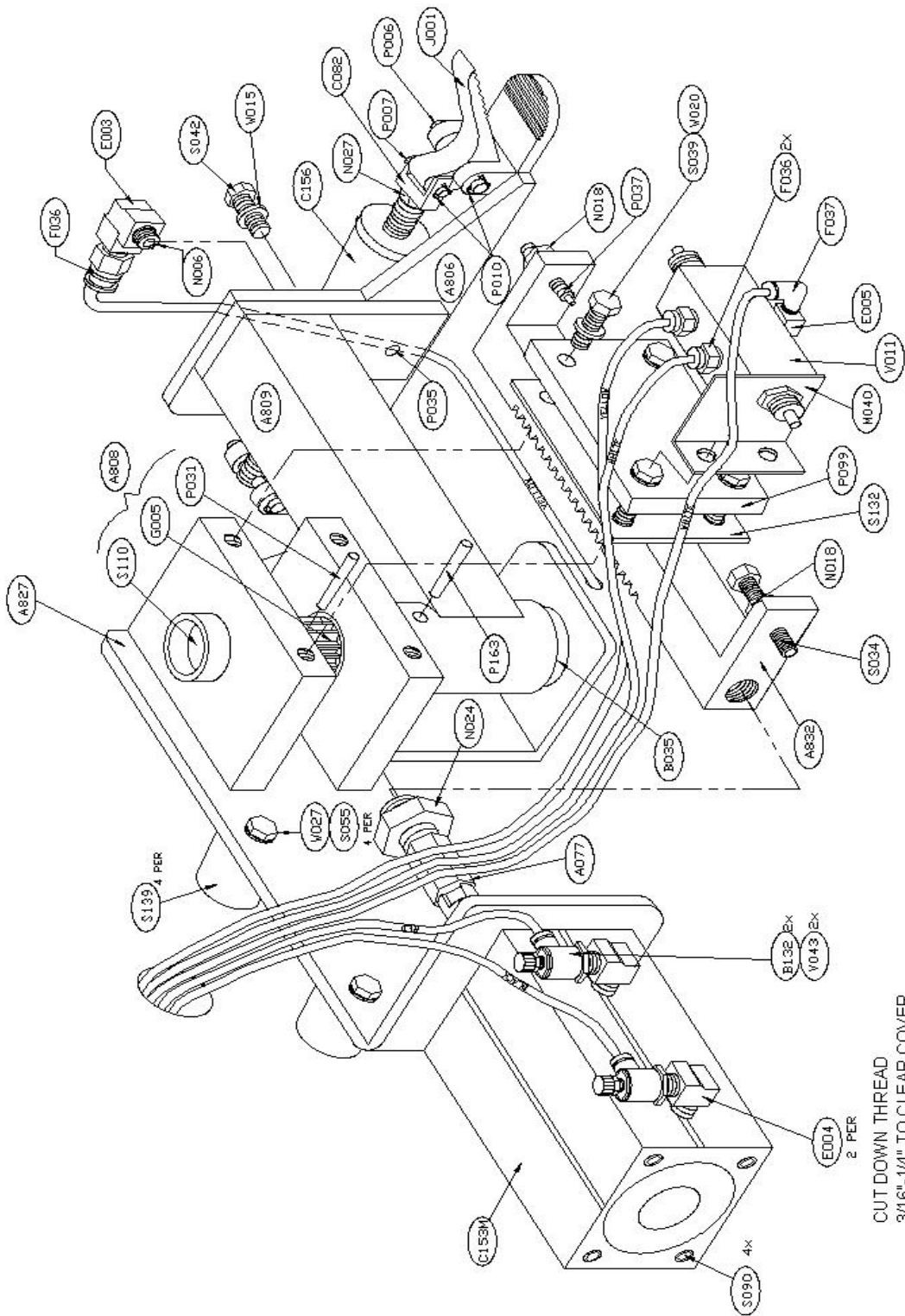
CHAPTER 6 - PARTS LISTS, DIAGRAMS AND WARRANTY

Parts List - Alligator Assembly, Model 625A

NOTE: Part numbers listed are available through the Edlund Company, Inc. or authorized parts supplier.

Part#	Description	Part#	Description
A073	Adaptor, Alg. SMC, Cyl. Reed Switch	S055	Screw, Hex Head, 5/16"-18 x 1-1/2" SS
A806	Alligator Mount	S090	Screw, Socket, Cap, 5/16"-18 x 4" S/S
A808	Alligator Gear Shaft Assembly	S110	Shaft, Alligator, Heavy Duty
A809	Alligator Arm	S132	Slide, Rack
A827	Alligator Lid Removal Mount	S139	Spacer, Alligator
B035	Bearing, ALG/700, Flange	S473	Switch, SMC Reed C153m wo/BKTSP
B132	Bushing, Reduction, 1/4" to 1/8" NPT	V043	Valve, Flow Control, SMC, 1/8"
B364	Bracket Kit, Bq-2, SMC Reed, Sw. A73I	W015	Washer, Flat, 1/4" S/S
C082	Clevis, Alligator, Heavy Duty	W020	Washer, Lock, 1/4" S/S
C153M	Cylinder, 2.5 B x 2" w/Mag. Only	W027	Washer, Lock, 5/16" S/S
C156	Cylinder, 1.1/16 x 1" S/S Spring Ret.		
E003	Elbow, 1/8" NPT, Brass		
E004	Elbow, 1/4", NPT, Brass, Street		
F036	Fitting, 1/4" OD, Push-In, 1/8" NPT Male		
G005	Gear, Alligator		
J001	Jaw, Alligator, Upper, Heavy Duty		
N006	Nipple, 1/8", NPT, Brass, Close		
N024	Nut, Jam, 1/2"-13, Hex Head, S/S		
N027	Nut, Jam, 5/16"-24, Hex Head, S/S		
P006	Pin, Clevis, 1/4" Dia. x 1-3/8", S/S		
P007	Pin, Clevis, 1/4" Dia. x 1", S/S		
P010	Pin, Cotter, 1/16" x 3/4", S/S		
P031	Pin, Roll, 3/16" x 1 S/S		
P035	Pin, Small Locating, Dowel, 3/16" x 1/2", S/S		
P099	Plate, Alligator Rack		
P163	Pin, Roll, 3/16" x 1-1/4" S/S		
R001	Rack, 825A, Alligator H.D., PLC		
S039	Screw, Hex Head, 1/4"-20 x 3/4" S/S		
S042	Screw, Hex Head, 1/4"-20 x 5/8" S/S		

Alligator Assembly, Model 625A



061125

Parts List - Head Assembly, Model 625A

NOTE: Part numbers listed are available through the Edlund Company, Inc. or authorized parts supplier.

Part#	Description
A014	Adapter
A807J	Knife, 625A, 603J
A810J	Assembly, #625A Knife/Magnet, 603 Dia.
A820	Assembly, #625A Guard Ring, 603 Option
A821	Weldment, #625A Head
B091	Bracket, Interlock Mounting
B130	Bushing, Reduction, 1/2" to 1/4" NPT
B227	Button, Mushroom Push, Green ON
C084H	Clip, Retaining #10, 603 Size (Hardened)
CY003	Cylinder/Adapter
C151M	Cylinder
C251	Wire, 4 Conductor, 16 gauge
F003	Fastener, Knurled
F050	Fitting, Push-In Elbow, 1/4" NPT to 3/8" OD
H027	Hose, 3/8" OD, Clear Parflex
M003	Magnet, Large, 2" Dia.
M004	Magnet, Small, 1-1/2" Dia.
N018	Nut, 1/4"-20, S/S
N021	Nut, 3/8"-20, S/S
P018	Pin, Large Magnet
P035	Pin, Dowel, 3/16" x 1/2", Small Locating, S/S
P036	Pin, Small Magnet
P080	Plate, Large Magnet Holder
P118	Plate, Small Magnet Holder
P176	Pin, Small, Knife Locating, 1/4"
P177	Pin, Large, Knife Locating, 3/8"
R171	Ring, Spiral Retaining
S017	Screw, Flat Head, 1/4"-20 x 1-1/4"
S032	Screw, 1/2"-13 x 2-3/4", Hex Head, S/S
S036	Screw, Hex Head, 1/4"-20 x 1/2"
S045	Screw, Hex Head, 10-32 x 1/2" S/S
S093	Screw, Cap, 10-32 x 1/4" Hex Head
S177	Standoff, Alligator Cylinder
S461	Seal, 625A Cylinder Rod
S475	Sensor
S477	Switch, 12mm, Proximity, N.O. NPN
T004	Terminal, #6 Stud

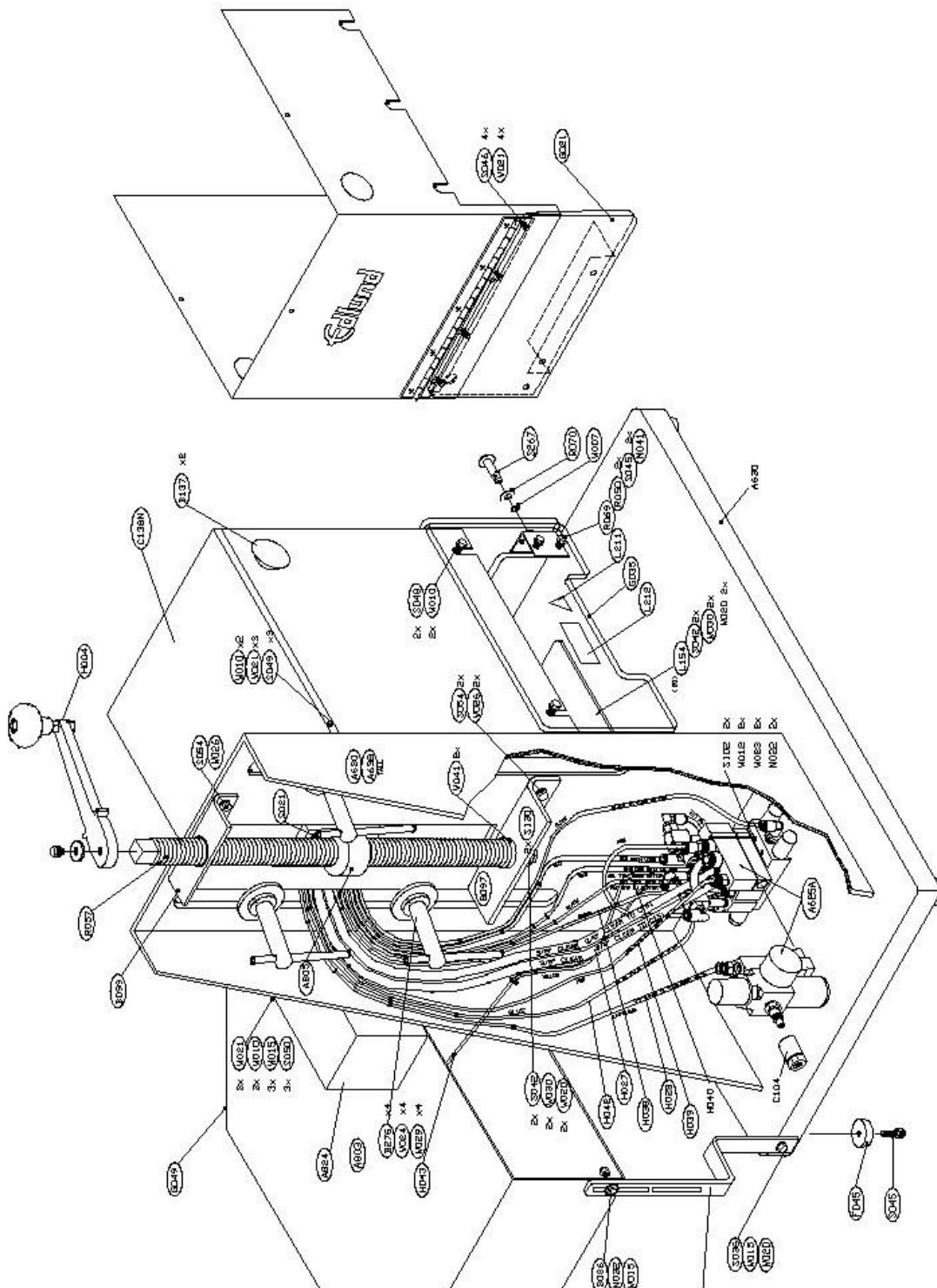
W020 Washer, Lock, 1/4" S/S
W021 Washer, Lock, #10, S/S
W024 Washer, Lock, 1/2", S/S

Parts List - Main Assembly, Model 625A

NOTE: Part numbers listed are available through the Edlund Company, Inc. or authorized parts supplier.

<u>Part#</u>	<u>Description</u>	<u>Part#</u>	<u>Description</u>
A626	Assembly, 625A, Cover/ Hinge/Door Low Style	N032	Nut, 1/4"-20, Nylock
A627A	Assembly, 625A, PLC Box	P167	Plug, 1/4" Hole
A630	Weldment, #625, Vertical/Base	R050	Rivet, SSB 4-3S
A638	Weldment, #625T, Vertical	R057	Rod, #625, Adjusting
A803M	Assembly, Alligator Lid Remover	R069	Receptacle, 1/4", Turn, S/S
A805	Assembly, #625, Adjust Nut	R070	Retainer, Split Ring
A824(L)	Assembly, #625A (Left Hand) Alligator Cover, S/S	R138	Seal, Rubber
B097	Bracket, #625, Retaining	S021	Screw, 3/8"-16 x 5/8", FHS, S/S
B099	Bracket, Rod Guide	S036	Screw, Hex Head, 1/4"-20 x 1/2"
B261	Brace, 625A for #10 Can	S042	Screw, 1/4"-20 x 5/8", Hex Head, S/S
B276	Bolt, Tee Head, Adjust	S045	Screw, 10-32 x 1/2", Hex Head, S/S
F045	Foot, #625 Mech., Black Finish 5200-01-13-5052	S046	Screw, 10-32 x 1/4", Hex Head, S/S
C138N	Cover, 625 PC Top Head	S048	Screw, 10-32 x 3/4", Hex Head, S/S
G021	Guard, Front, Plastic, Alligator	S049	Screw, 10-32 x 3/8", Hex Head, S/S
G035	Guard, Side, Plastic, Alligator	S050	Screw, 10-31 x 5/8", Hex Head, S/S
G049(L)	Guard, #625A, (Left Hand) Lexan	S054	Screw, 3/8"-16 x 1/2", Hex Head, S/S
H004	Handle, #625, Adjust Ratchet, 5/8" Sq.	S267	Stud, 1/4"-Turn Wing Head, S/S
H027	Hose, 3/8" OD, Clear Parflex	S489	Power Supply, 115 VAC to 24 VDC
H038	Hose, 1/4" OD, Green	W007	Washer, Flat, Nylon, Black, .060" Thick
H039	Hose, 1/4" OD, Red	W010	Washer, Flat, #10, S/S
H043	Hose, 1/4" OD, Yellow	W015	Washer, Flat, 1/4", S/S
L154	Locator, 625A, #10 Can	W020	Washer, Lock, 1/4", S/S
L211	Label, Warning, Cut Hazard	W021	Washer, Lock, #10, S/S
L212	Label, Safety Guard, Warning	W024	Washer, Lock, 1/2", S/S
L213	Label, Cleaning Procedure	W026	Washer, Lock, 3/8", S/S
L217	Label, Power Supply Warning	W029	Washer, #610/700, 12 Ga., Mounting
M041	Mount, Latch	W030	Washer, Arm and Spacer
		W041	Washer, #825, Thrust, #TT-1001-1
		W121	Window

Main Assembly, Model 625A



061126

Parts List - Control Box, 625A

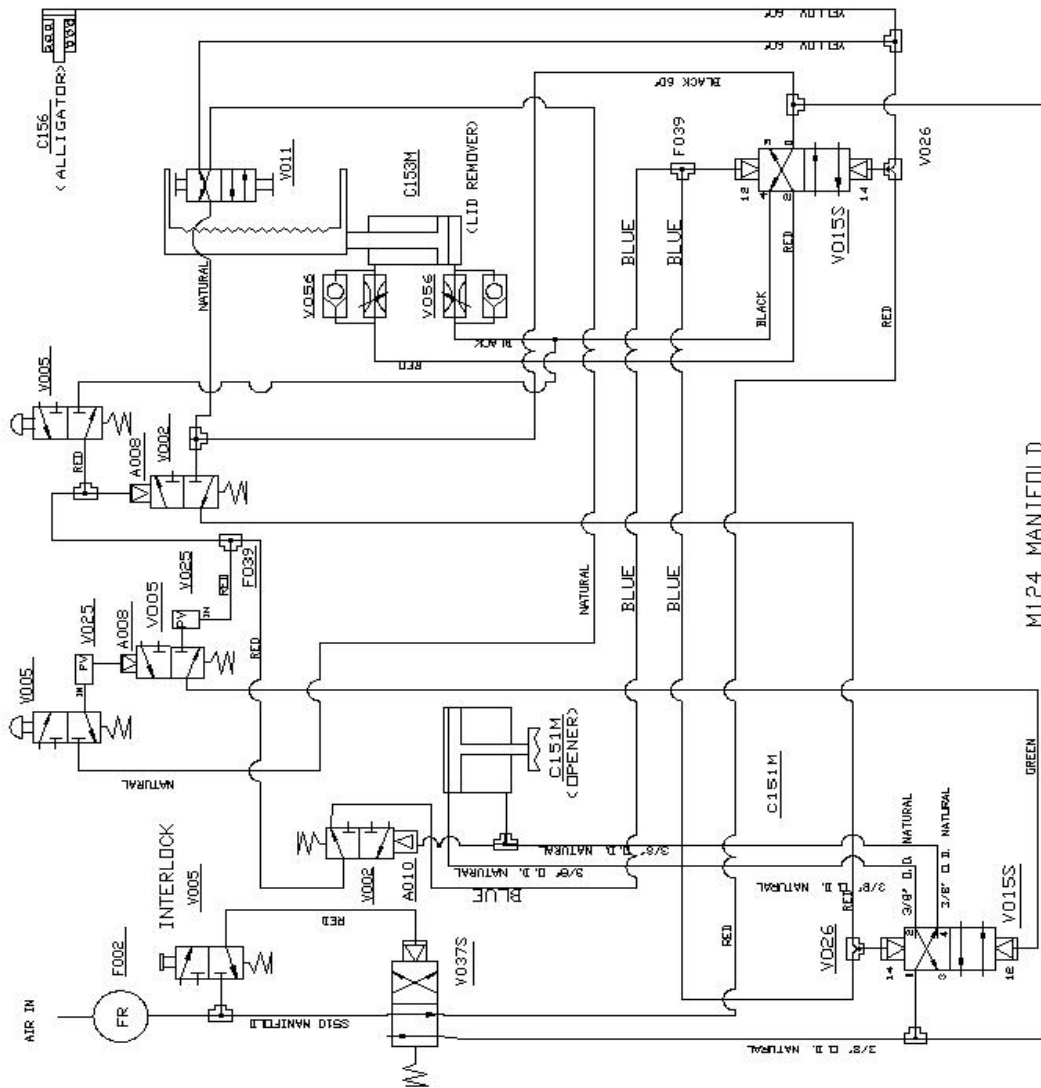
NOTE: Part numbers listed are available through the Edlund Company, Inc. or authorized parts supplier.

<u>Part#</u>	<u>Description</u>
B344	Block, Connector Din Rail
B400	Base, Circuit Breaker
B401	Breaker, 2A Circuit
B403	Box, PLC Control
C091	Connector
C103	Coupling, Air, #210-10, 1/4", Female
C104	Coupling, #210-3003, 1/4", Female
C382	Controller, Small PLC
F002	Filter, Reg., Lub., Mini
F050	Fitting, Push-In Elbow, 1/4" NPT to 3/8" OD
F065	Ferrite, Ring Core
FT004	Fitting, 3/8", Y, Push-In
FT005	Fitting, 3/8", Push-In to 1/4" NPT Female
G015	Grommet, 3/8" ID
G016	Grommet, 1/2" ID
H027	Hose, 3/8" OD, Clear Parflex
J009	Jack, Round Hole, Power
J015	Jack w/Harness
M114	Manifold, 4 Station SMC Sol.
M087	Muffler
N020	Nut, 1/4"-20
N047	Nipple, 1/4" NPT x 4", Brass
P132S	Plug, 1/4" NPT Allen Head
P165	Plug, 5/8"
P350	Plug, 3/8" Push In
R072	Relief, Watertight, Strain
R133S	Rail, Din
R165	Reducer, 3/8" to 1/4" OD
S034	Screw, 1/4"-20 x 1", Hex Head, S/S
S084	Screw, 8-32 x 5/16", RHM, S/S
S102	Screw, 8-32 x 1-3/4" SHC
S486	Supply, Power, 24 Vdc, 7.5 Watts
S489	Power Supply, 115 VAC to 24 VDC
S489U	Power Supply, 90-260 VAC to 24 VDC, Universal
V053	Valve, 4 Way SR, 1/4", Sol
W055	Wire, 18 Gauge, Black, as required

W089 Wire, 18 Gauge, Red, as required

Control Box, 625A

COMP. NO.	DESCRIPTION
3	MPA-3P
2	ADAPTOR, 12328
2	800T I6B RED
1	LG. PILOT ACTUATOR
1	5 X 2 1/2
1	2 1/2 BORE X 2' W/1/2-13 ADAPTOR
1	USR-17-1
2	MJVD-3
4	MJV-3
1	FV-4DP
2	SMC# SYA7820-N11T
2	1/4" SMC FLOW CONTROL
2	PV-IP
2	MJSV-1
1	SMC# SYA 712-N11T
1	1/4 MINI FRL



061101

CUSTOMER NOTES:



CROWN PUNCH CAN OPENER, Model 625A
With Alligator Lid Remover and PLC

WARRANTY:

All Edlund products are guaranteed against defects in material and workmanship for a period of one year from date of purchase, except where specifically noted. The company's obligation under this warranty is limited to repairing or replacing without charge any part or parts found to be defective **under normal use**. It is the responsibility of the purchaser to return the entire unit to the factory, **properly packed, transportation charges prepaid**. This warranty does not cover knives and gears on can openers. No other warranty, written or verbal, is authorized by the company. Warranty charges do not include state, federal, foreign, excise, municipal, or other sales or use taxes. All such taxes are the responsibility of the purchaser.

Carrier is responsible for merchandise in transit to you.

Edlund Company reserves the right to make changes in design or add any improvements on any product. The right is always reserved to modify our equipment because of factors beyond our control and government regulations. Charges to update equipment do not constitute a warranty charge.

The following are not covered under warranty:

1. failure from neglect, abuse, careless handling or mis-application of unit.
2. failure caused by improper maintenance.

Return products to: Edlund Company, LLC, Service Department
319 Queen City Park Rd., Burlington, VT 05401, USA
An ISO 9001:2015 Company

Phone: (800) 772-2126 & (802) 862-9661 • Fax: (802) 862-4822