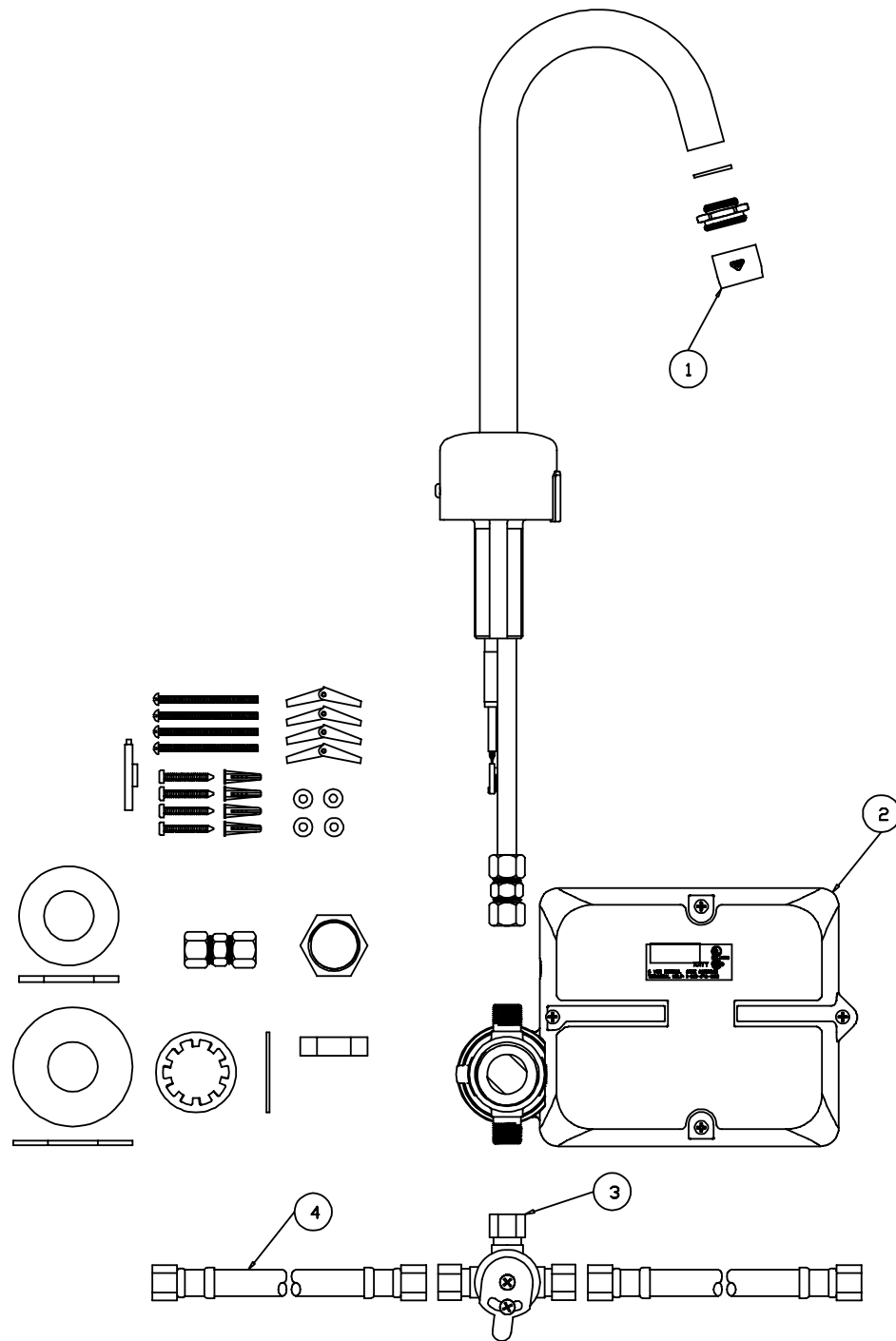


# EC-2100



## ***ChekPoint Deckmount Gooseneck DC***

- |   |                                 |                           |
|---|---------------------------------|---------------------------|
| 1 | Aerator                         | <a href="#">B-0199-01</a> |
| 2 | Asm, DC Control Module          | 013143-45                 |
| 3 | Transformer, 120V/35VA, Plug-In | 013144-45                 |
| 4 | Valve, Leonard Mixing           | <a href="#">013130-45</a> |
| 5 | Hose, Supply, Braided           | <a href="#">013146-45</a> |