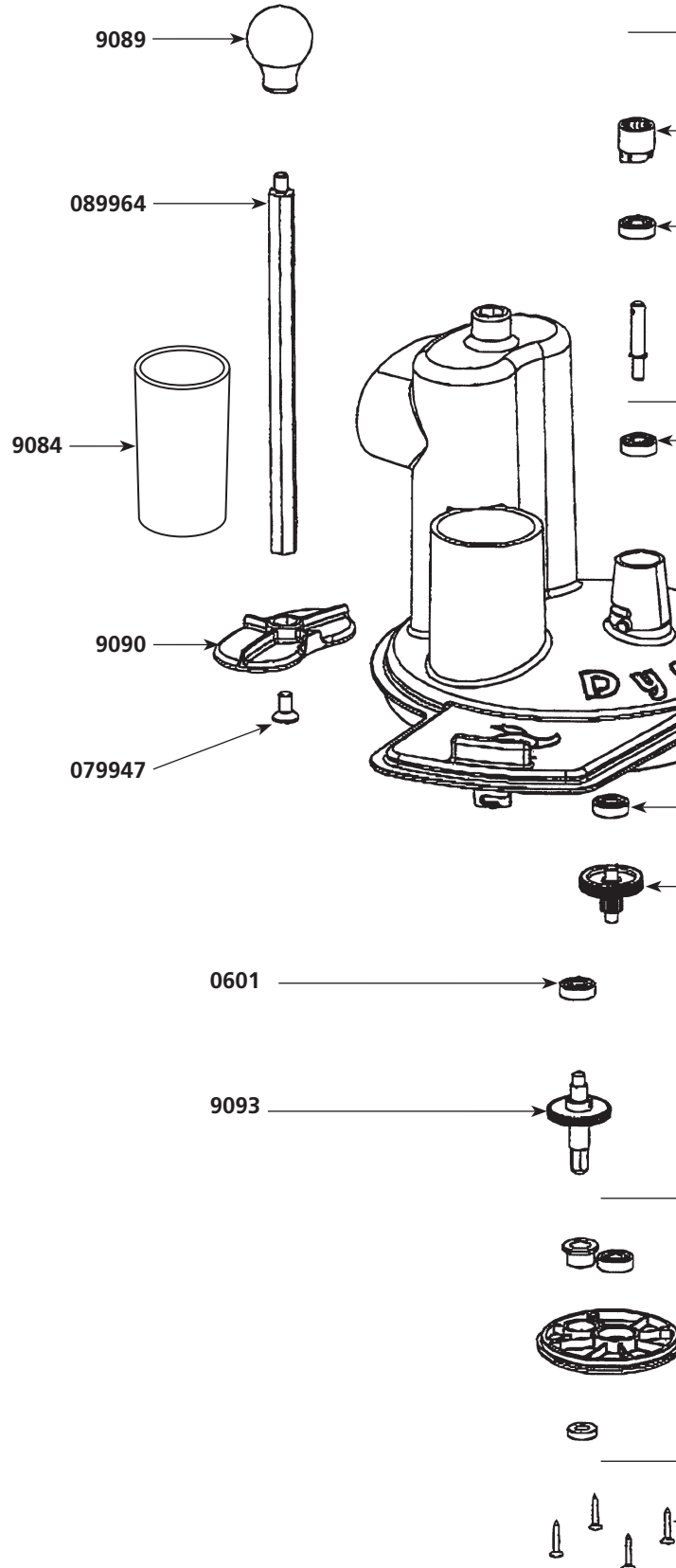
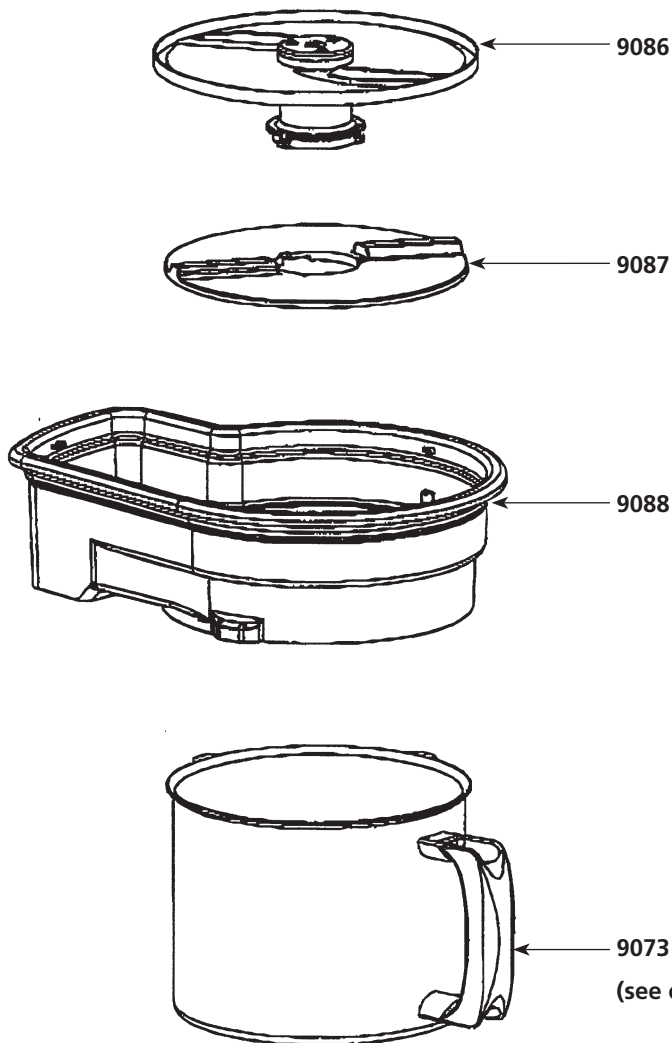


MULTI-FUNCTION FOOD PREP SYSTEM - VS ATTACHMENT

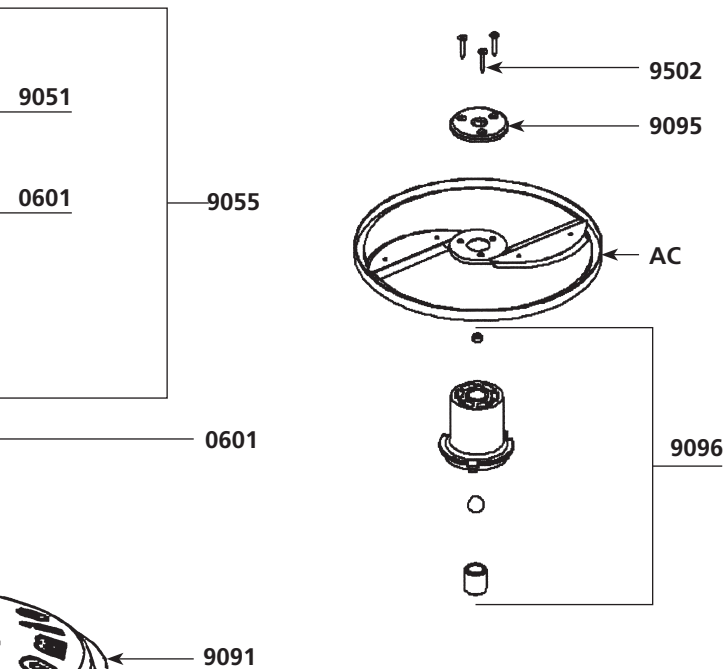
Parts list	Code	List \$ Price
Ball bearing	0601	15,31
Plate screws (4)	9014	0,71
Coupling casing + pin	9051	16,18
Equipped upper shaft	9055	76,80
Dynacutter Bowl	9073	329,60
Round vegetable pusher	9084	61,81
Complete lid	9085	725,61
Slicing disc	9086	75,54
Ejector disc	9087	75,54
Base	9088	240,34
Round shaped handle	9089	43,50
Vegetable pusher	9090	52,64
Lid only	9091	290,70
Intermediate gear	9092	139,63
Output gear + shaft	9093	128,18
Plate + ball bearing	9094	75,54
M8 X 16 screws	079947	5,49
Hexagonal shaft	089964	86,99



(see current catalogue on machines)

MULTI-FUNCTION FOOD PREP SYSTEM - VS ATTACHMENT

9086 Slicing disc



Parts list

Code List \$ Price

9086 Slicing disc

Coupler screws	9502	0,66
Twelve-sided hub	9095	38,92
Axle for slicing or grating disc	9096	61,81

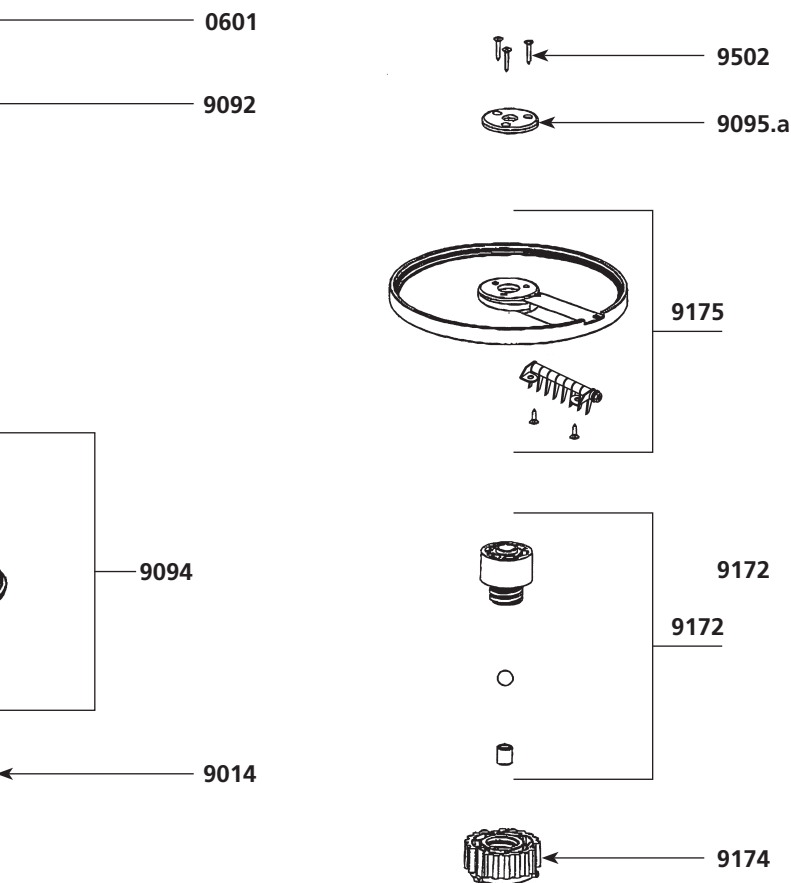
Disc for French Fries

Screws for hexagonal hub	9502	0,66
Hexagonal hub	9095.a	38,92
French Fries disc	9175	189,98
Axle for slicing disc	9172	73,24
Nut	9174	57,22

9170 Disc for cubes

Screws for hexagonal hub	9502	0,66
Hexagonal hub	9095.a	38,92
Slicing disc	9171	107,58
Axle for slicing disc	9172	73,24
Cubes disc	9173	121,31
Nut	9174	57,22

Disc for French Fries



9170 Disc for cube

