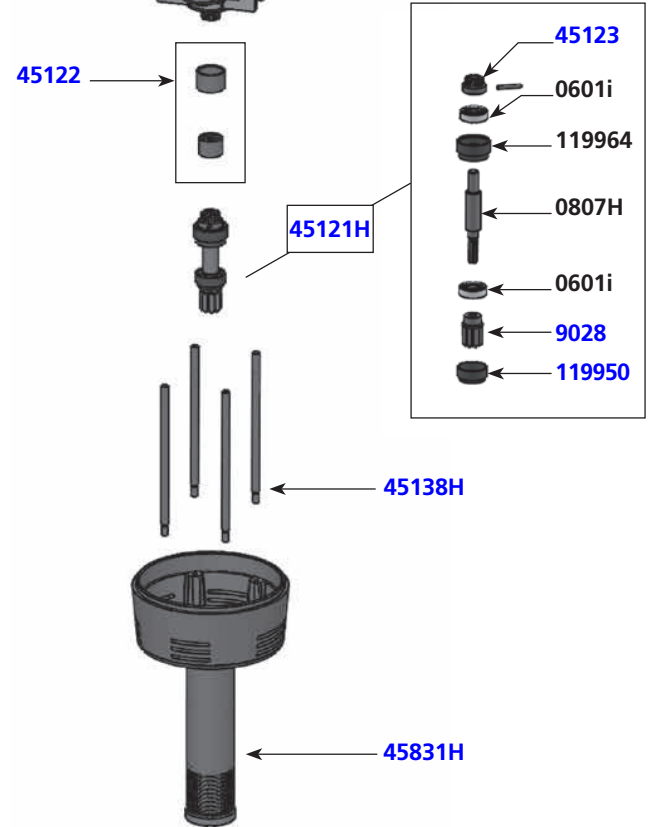
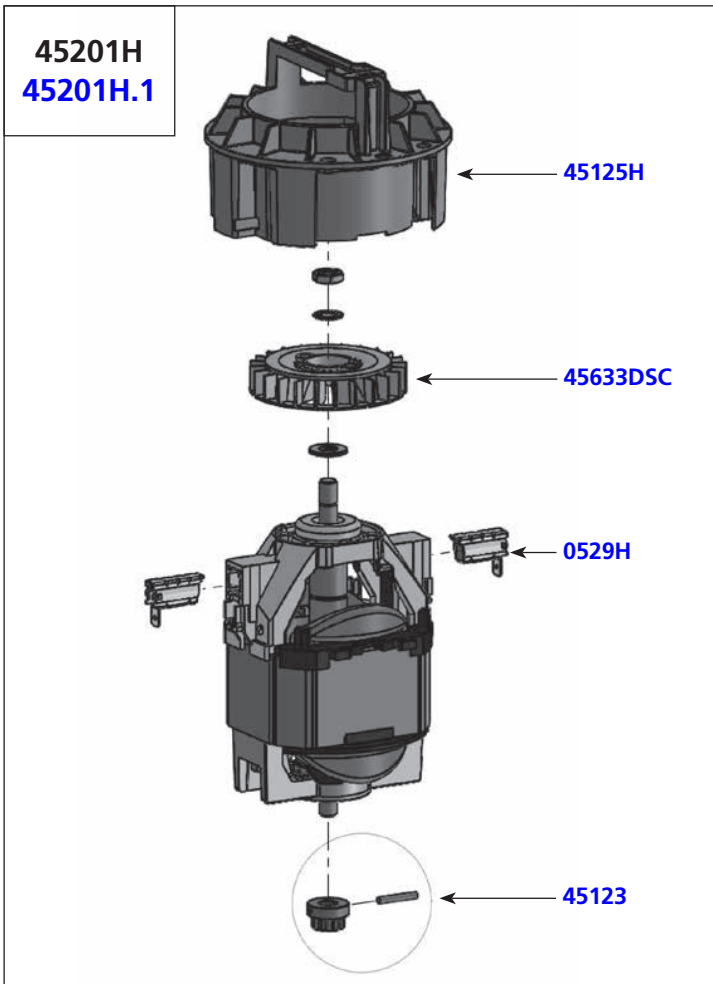
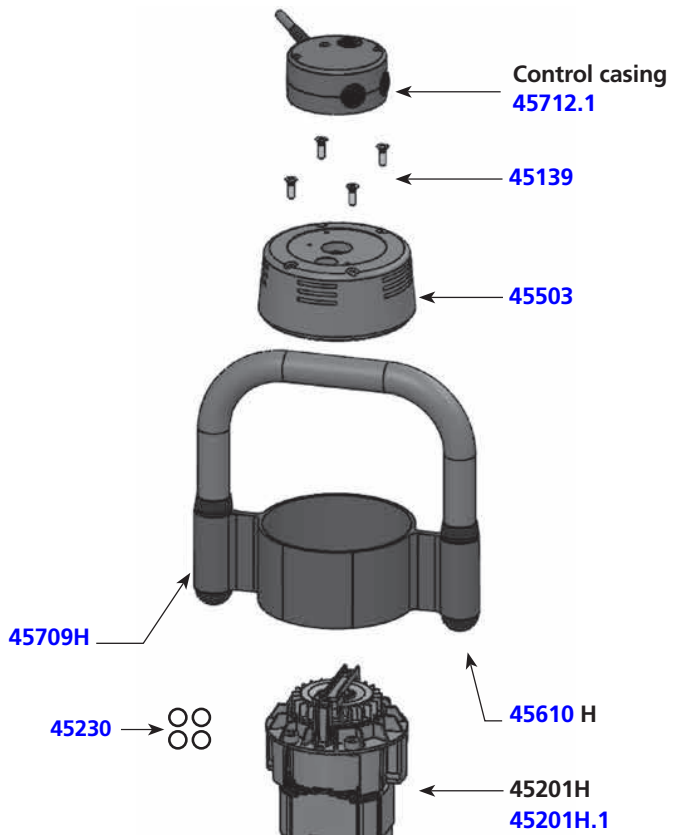
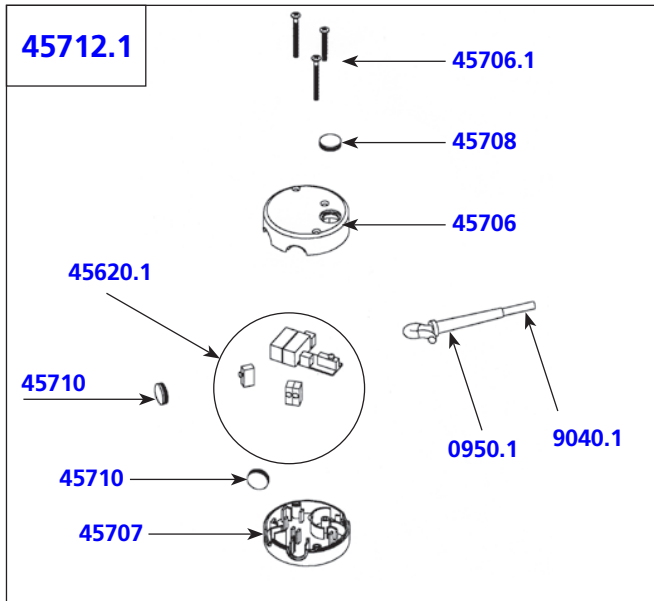


SMX 750 ES

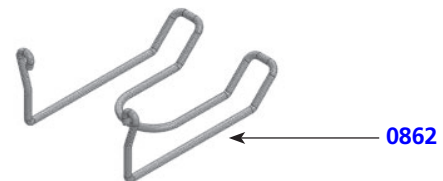
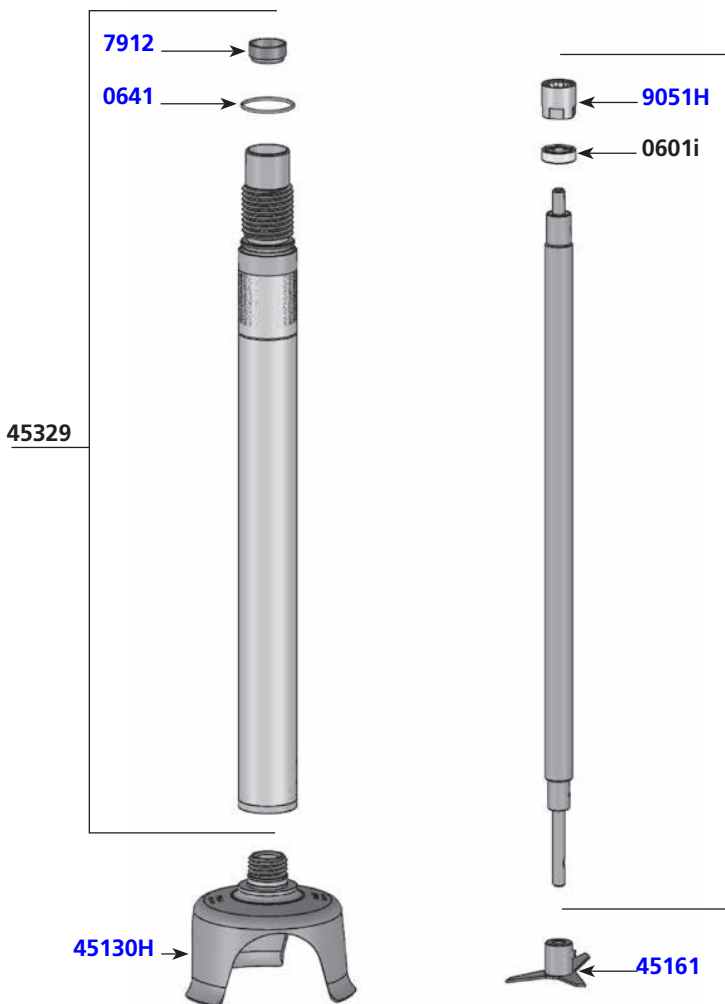
Parts list	Code	List \$ Price
Carbon brushes (pair)	0529H	23.47
Ball bearing	0601i	20.92
Equipped output axle	0807H	50.38
Ball bearing ring	119950	5.93
Ball bearing ring	119964	6.22
Output shaft	45121H	124.65
Coupling sleeves	45122	33.34
Motor & shaft drive sprocket	45123	31.02
Plastic fan housing	45125H	205.16
Spacer rods (4)	45138H	24.40
Spacer screws (4)	45139	3.98
Motor 230 V	45201H	908.79
Motor 115 V	45201H.1	908.79
Squeezing washer (4)	45230	8.47
Top housing	45503	306.31
Handle cap (2)	45610H	8.87
Plastic Fan	45633 DSC	23.66
Sleeve & complete handle & label & cap	45709H	184.24
Complete control casing 115V	45712.1	293.10
Lower housing	45831H	500.72
Motor & shaft drive sprocket	9028	13.08



SMX 750 ES Attachment - Ref AC075T (Complete Attachment)



Parts list	Code	List \$ Price
Ball bearing	0601i	20.92
Self-lubricating ring	0603	4.57
Waterproof seal	0607	25.60
O. ring	0610PD	4.36
Toric seal	0641	4.06
Friction washer	0838L	7.25
Wall bracket	0862	28.71
Strain relief 115 V	0950.1	3.44
Ball bearing ring	7912	5.18
Motor & shaft drive sprocket	9028	13.08
Power cord 115 V	9040.1	49.34
Coupling casing + pin	9051H	48.41
Removable complete bell	45130H	494.59
Cutter blade w/ screw	45161	57.26
Shaft & bearing	45328	220.54
Foot assembly	45329	570.65
Circuit board 115 V	45620.1	180.63
Top housing (orange plastic piece)	45706	27.41
Screws control case set	45706.1	2.89
Lower housing (orange plastic piece)	45707	25.20
Handle cap protector (unit)	45708	4.47
Handle cap protector (unit)	45710	4.26



45328

45130 H

