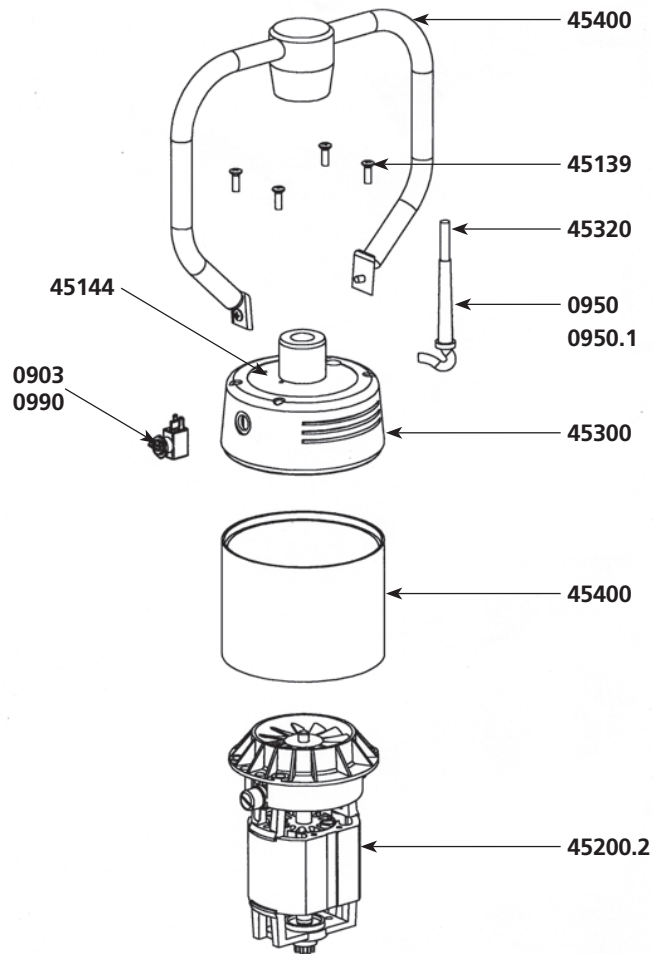
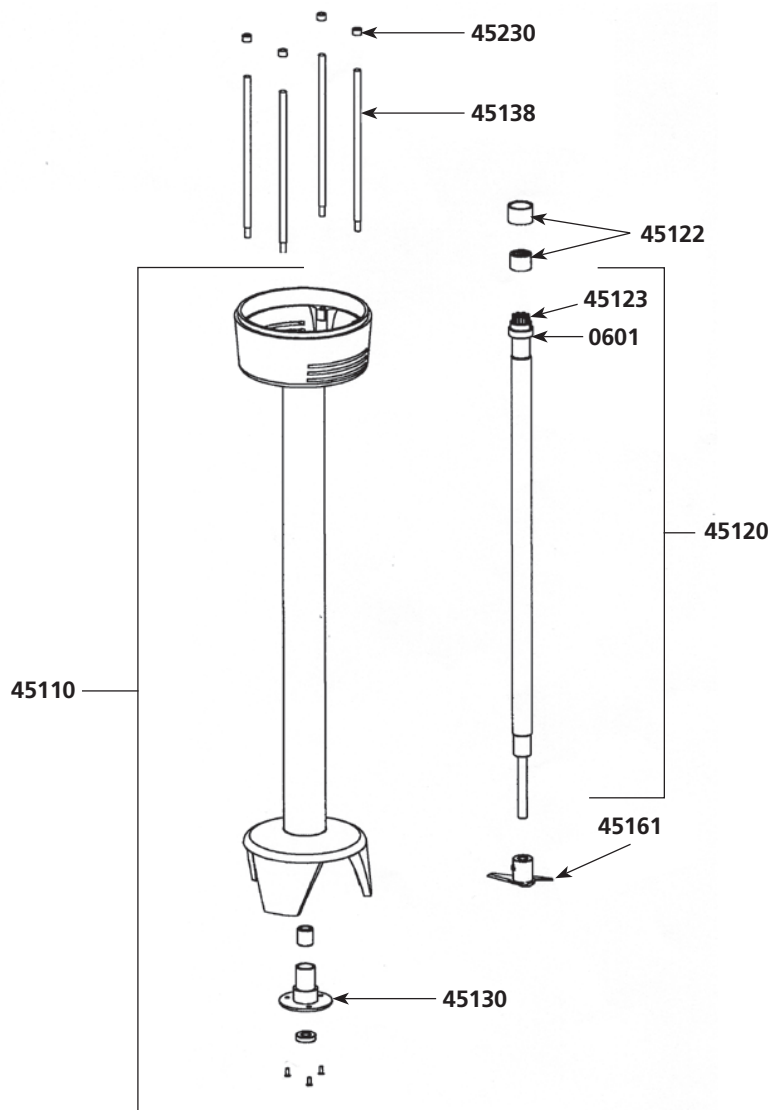
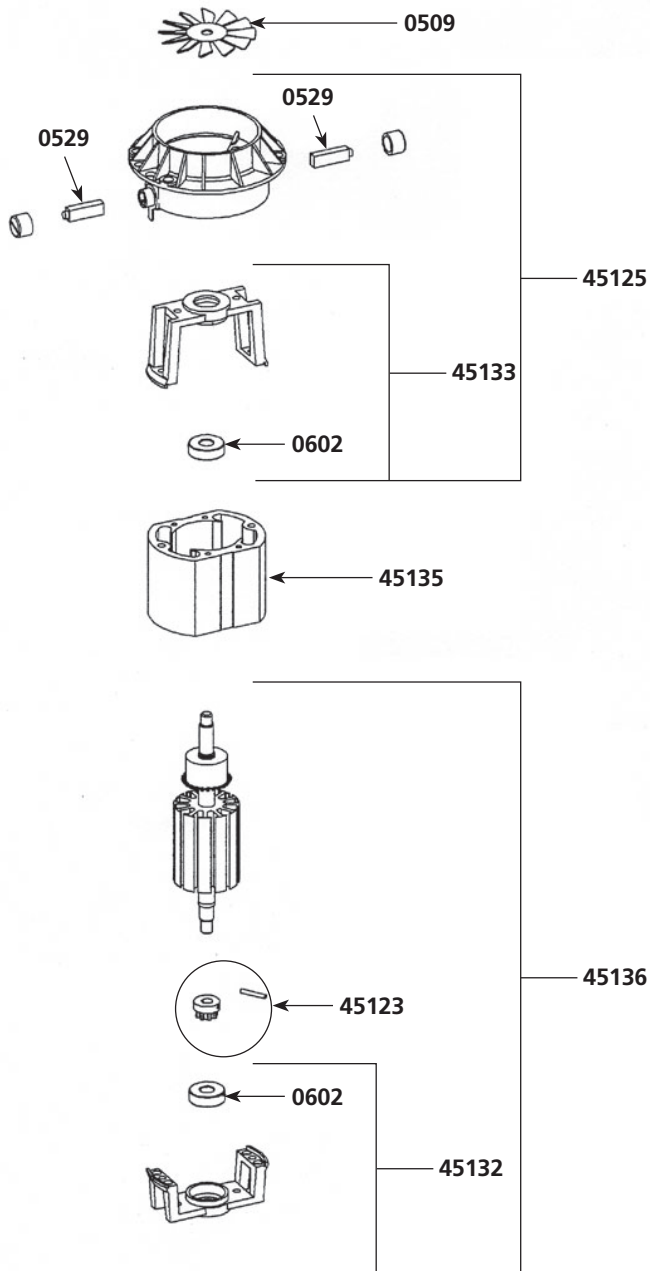


Parts list	Code	List \$ Price
Fan	0509	13.38
Motor brushes (pair)	0529	22.04
Ball bearing	0601	19.61
Motor ball bearing	0602	22.78
Rubber ring	0760	4.38
Clips	0776	1.66
Washer & bolt for fan	0777	1.66
Wall bracket	0862	28.71
Rocking switch	0903	24.08
Capacitor	0909	17.39
Strain relief 230 V	0950	3.44
Strain relief 115 V	0950.1	3.44
Push button switch	0990	128.75
ON/OFF label	1008	3.52
Foot assembly (tube. bearing. assembly)	45110	535.10
Shaft & ball bearing	45120	208.93
Coupling sleeves	45122	33.34
Motor & shaft drive sprocket	45123	31.02
Fan housing (no motor brushes)	45125	192.35
Lower bearing assembly	45130	49.72
Brush holder w/ cap (1) 230 V	45131	93.23
Brush holder w/ cap (1) 115 V	45131.1	93.23
Lower motor casing	45132	101.10
Upper motor casing	45133	101.10
Stator 230 V	45135	528.59
Stator 115 V	45135.1	528.59
Rotor 230 V	45136	528.59
Rotor 115 V	45136.1	528.59
Stator screws (2)	45137	3.82
Spacer rods (4)	45138	22.94
Spacer screws (4)	45139	3.98
ID plate	45144	18.81
Cutter blade w/screw	45161	57.26
Motor 115 V	45200.1	821.45
Motor 230 V	45200.2	821.45





Parts list

Code List \$ Price

	Code	List \$	Price
Squeezing washer (4)	45230	8.47	
Upper carter 230 V	45300	329.99	
Upper carter 115 V	45300.1	329.99	
Power cord 230 V	45320	48.69	
Power cord 115 V	45320.1	48.69	
Complete handle	45400	296.67	
Sleeve	45500	104.21	
Kit w/ shaft, lower bearing, coupler, cutter	45533	315.93	
Conversion kit (SMX450 to SMX500)	45600	443.70	
Perforated disc	45810	82.94	
Perforated disc w/ pin	45820	82.94	
Bearing screws for aluminium bell (3)	7950	1.72	
Lower bearing screws (3)	9902	1.72	