

Parts list

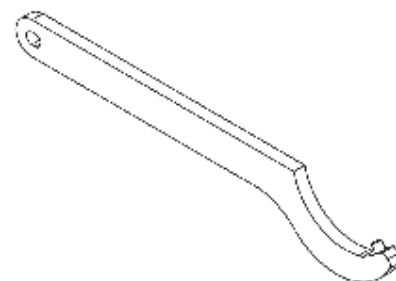
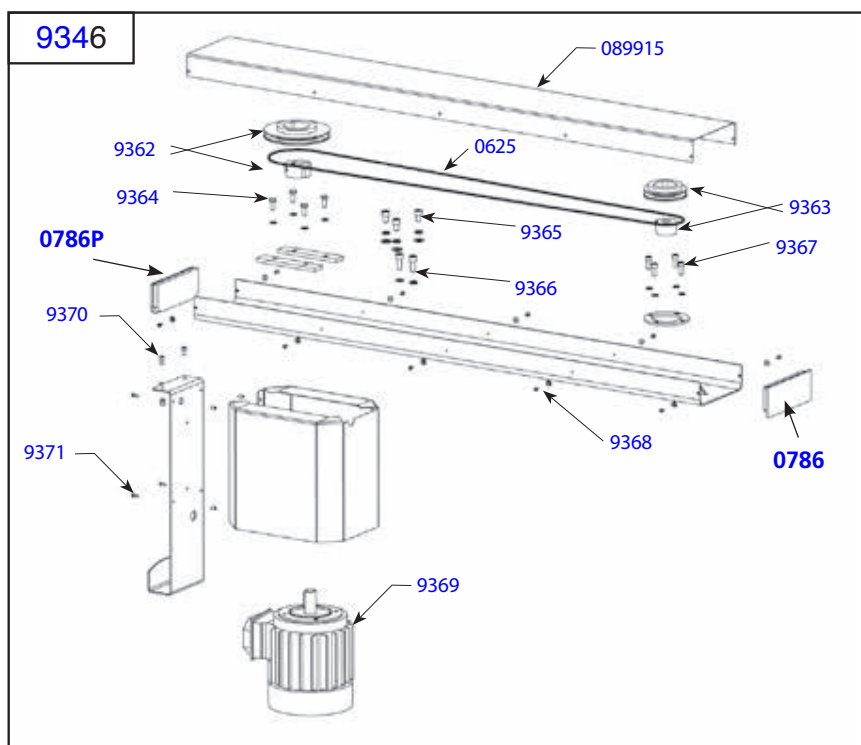
Code List \$ Price

Jib assembling.....9346		
Transmission belt	0625	195.86
Front jib cap	0786	73.89
Back jib cap	0786P	115.84
Cover	089915	320.57
Directing pulley + hub	9362	478.94
Conducting pulley + hub	9363	327.70
Screw set + washers for fixing the motor	9364	45.38
Screw set + washers for fixing the jib	9365	55.43
Screw set + washers for fixing the axle-brake	9366	40.33
Screw set + washers for fixing the tube	9367	55.43
Screw set + washers for fixing the cover	9368	55.17
Motor	9369	1386.40
Screw set + nuts for fixing the steel sheet on the jib	9370	25.21
Screw set for fixing the steel sheet on the motor housing	9371	27.74

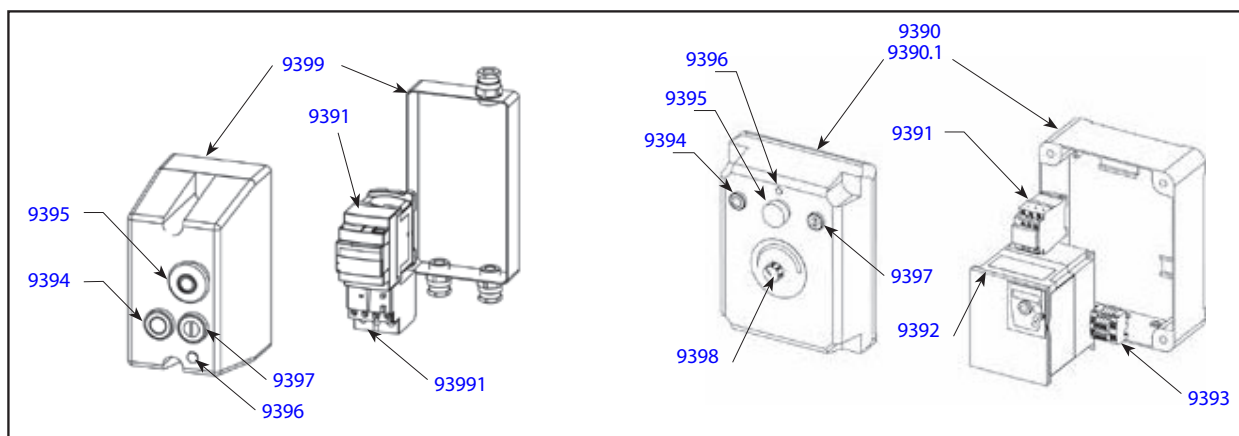
Parts list

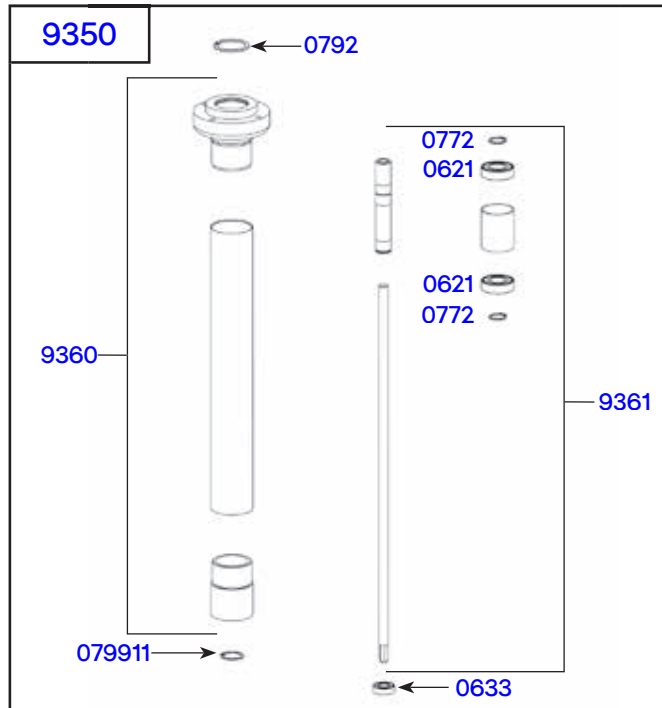
Code List \$ Price

Electrical Box		
Box case + pe	9390	363.75
Stainless steel box + pe	9390.1	1350.40
Motor connector	9391	205.46
Phased 2.2kw variator	9392	2284.21
Connection terminal	9393	76.90
Stop push button	9394	112.95
"Emergency stop" button	9395	134.06
On/off light	9396	47.09
"On/off" push button	9397	112.95
Potentiometer + push button	9398	152.33
PE DEI DSI button	9399	305.73
Thermal relay	93991	367.30



Parts list	Code	List \$ Price
Spanner wrench	9388	218.50



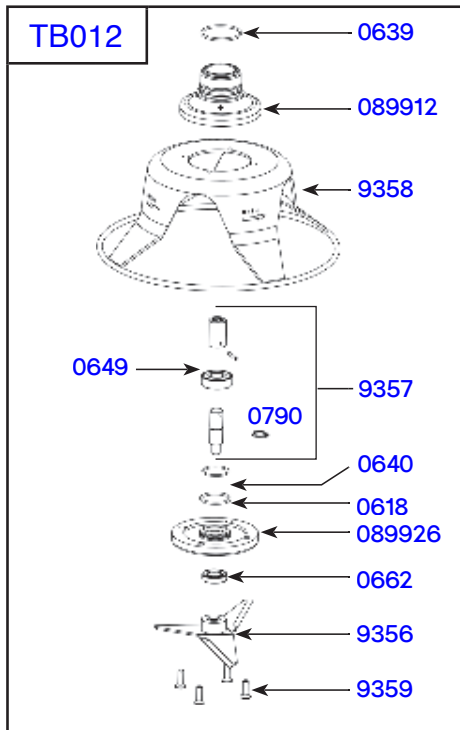


Parts list **Code List \$ Price**
Foot attachment assembling **9350 1347.79**

Ball bearing (unit)	0621	50.02
Ball bearing	0633	30.27
Clips (2)	0772	12.50
Rubber ring for upper bearing holder	0792	10.59
Rubber ring case	079911	9.61
Bearing holder. brace. case	9360	710.88
Drive shaft	9361	675.57

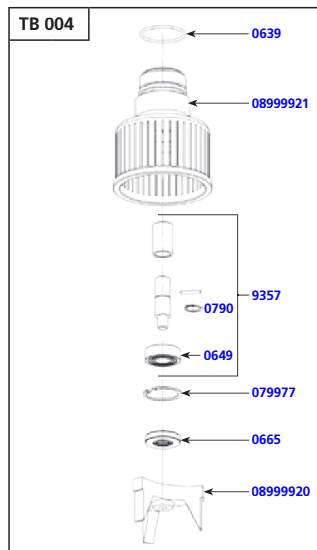
Detachable bell assembling **TB012 2277.00**

Toric joint 30 x 3	0618	6.00
Toric joint 42 x 2.5	0639	18.94
Toric joint 34 x 2	0640	15.15
Ball bearing	0649	100.09
Waterproof lip seal	0662	98.15
Open head locking washer	0790	6.41
Lower bearing	089912	482.24
Seal support	089926	351.20
Waterproofness set (seal + ball bearing + screws + open head locking washer)	9349	191.93
Blade	9356	327.70
Lower shaft + bearing+coupling + clips	9357	370.56
Protection bell	9358	206.68
Assembling set of screw for the bell	9359	20.12



Detachable blender assembling **TB 004**

Toric joint	0639	18.94
Ball bearing	0649	100.09
Waterproof seal	0665	76.04
Elastic ring 15	0790	6.41
Elastic ring 35	079977	27.10
Hammer	08999920	630.63
BLENDER POWER PRO bell	08999921	1503.36
Waterproof set (seal + bearing + screw + clips)	9348	209.66
Lower shaft + bearing + coupling + clips	9357	370.56



Parts list Code List \$ Price

Pin-brake assembling 9352

Plain screw M8x30	0773	8.84
Rubber ring for brake thrust	0788	9.61
Compression spring	0789	30.27
Rubber ring for brake axle	0791	8.76
Handle for brake	079912	71.86
Insulating sheet	089916	45.38
Brake thrust	089921	23.46
Interpolated sheet	089927	39.06
Jib plate holder	089932	158.32
Handle	9077	34.87
Handle screws	9078	4.47
Brake axle	9372	106.36
Microswitch + screws	9373	307.54
Pin-brake + eccentric + cam + cam axle	9374	962.90

Parts list Code List \$ Price

Additional parts

Detachable handle	0793	60.49
Ring 50x12	089953	30.27
Fixed wheel + screws (unit)	9353	60.49
Brake wheel + screws (unit)	9354	80.65
Frame + jib holder	9355	2409.77

