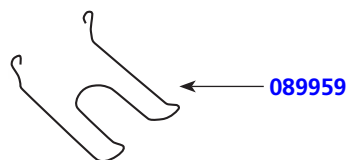
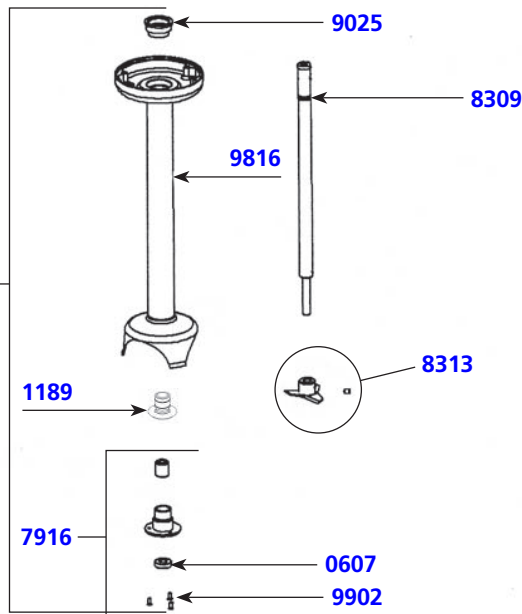
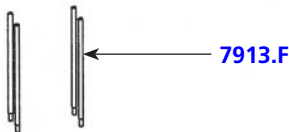
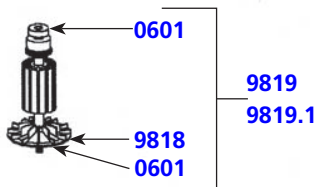
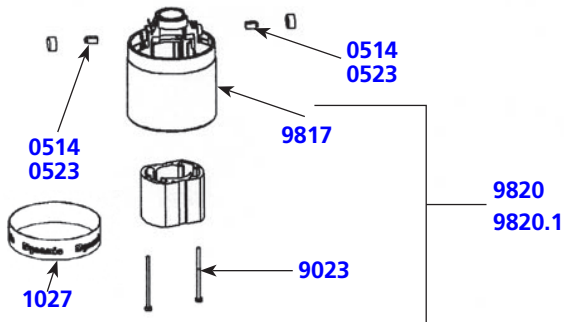
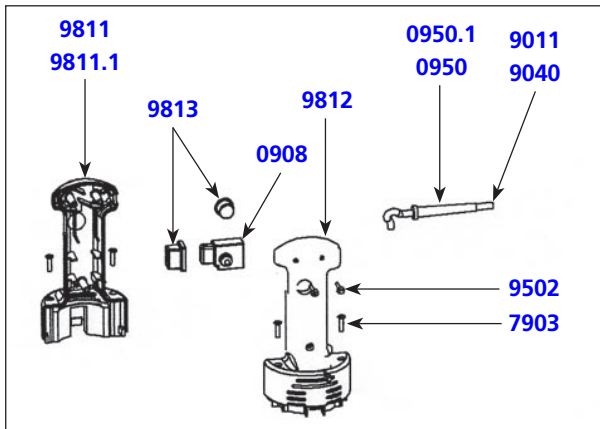


9810 - 9810.1



Parts list

Code List \$ Price

Motor brushes (2)	0514	19.61
Motor Brushes (2) after serial # 130803	0523	19.61
Ball bearing	0601	19.61
Waterproof seal	0607	25.60
Squeezing washer	0726	2.75
Wall bracket	089959	28.79
Non-locking switch	0908	41.06
Strain relief 230 V	0950	3.44
Strain relief 115V	0950.1	3.44
Capacitor	0972.1	22.58
Warning label	1017	6.90
Dynamic label	1027	17.11
Label w/ serial number 230 V	1063	7.17
Label w/ serial number 115 V	1064	7.17
Lower bearing assembly support	1189	29.33
Speed variator (option) (230V)	1213	135.95
Speed variator (option) (115V)	1214	118.15
Spacer screws (4)	7903	6.37
Spacer rods (4)	7913.F	22.12
Lower ball bearing assembly	7916	47.53
Shaft	8309	102.82
Cutter blade w/screw	8313	51.95
Power cord 230 V	9011	30.44
Stator screws (2)	9023	5.18
Ball bearing sleeve	9025	5.98
Power cord 115 V	9040	38.09
Handle screws (3)	9502	0.84
Complete handle 230 V	9810	91.78
Complete handle 115 V	9810.1	91.78
Lower half handle w/ label 230 V	9811	39.97
Lower half handle w/ label 115 V	9811.1	39.97
Upper half handle	9812	35.89
Switch protector (2)	9813	11.87
Motor & shaft housing + palier + bearing	9816	209.58
Upper motor casing (w/carbon brushes holders)	9817	61.17
Fan	9818	14.12
Rotor 230 V	9819	331.07
Rotor 115 V	9819.1	331.07
Stator 230 V (w/carter. carbon brushes holders)	9820	331.07
Stator 115 V (w/carter. carbon brushes holders)	9820.1	331.07
Complete foot assembly	9821	402.96
Shaft. lower ball bearing & cutter assembly	9836	173.64
Lower bearing screws (3)	9902	1.72