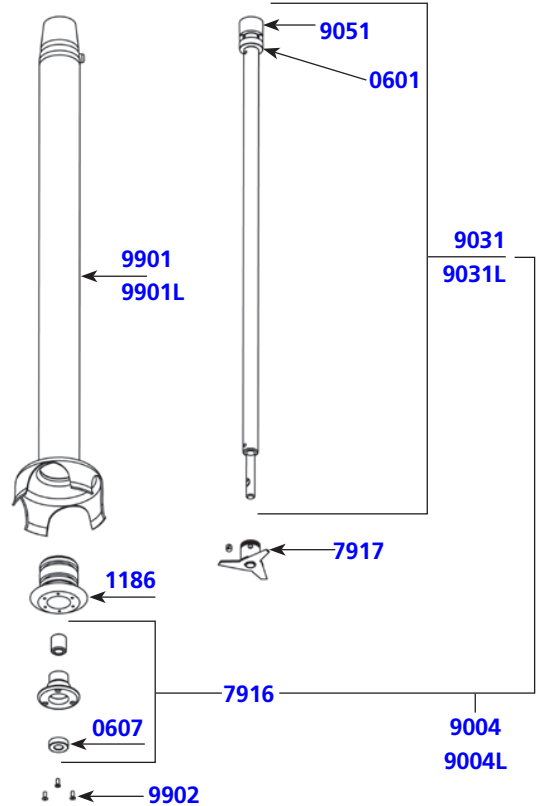


MF 90/2000 & MFAP 90/2000 foot

Parts list	Code	List \$ Price
Ball bearing	0601	19.61
Waterproof seal	0607	25.60
Lower bearing assembly support	1186	29.33
Emulsifying blade	7910	83.05
Lower bearing assembly	7916	47.53
Cutter blade w/screw	7917	51.95
Lower bearing screws (3)	7950	1.72
Shaft. lower bearing & cutter assembly	9004	234.66
Shaft	9031	173.64
Coupling casing + pin	9051	20.74
Tube assembly	9901	287.58
Lower ball bearing screws inox (3)	9902	1.72
M 90 Complete Mixer tool (see machine catalog)	AC002	-

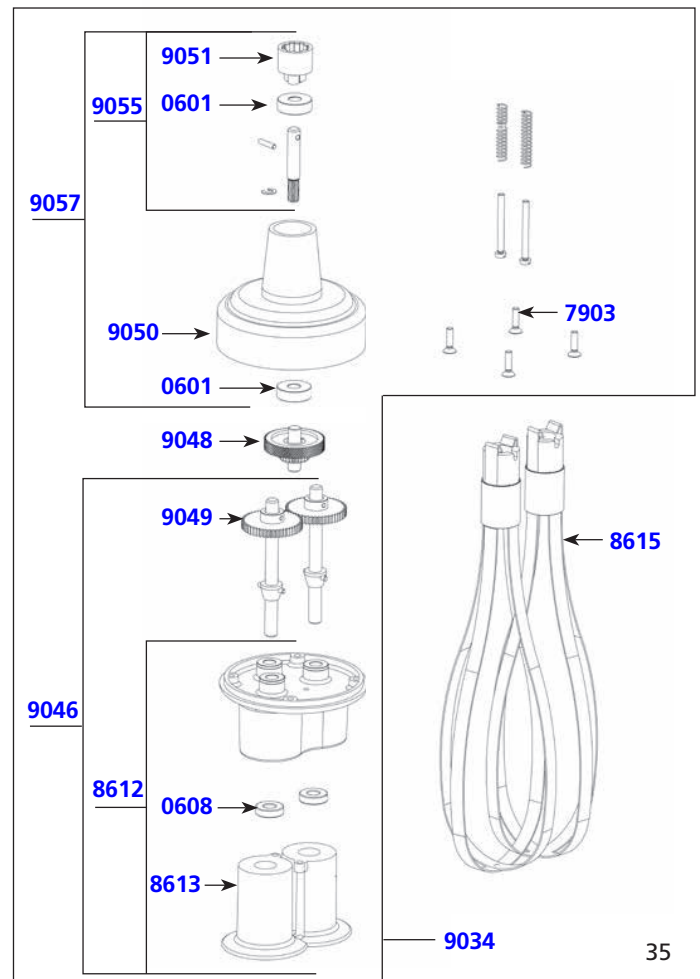


M100 foot

Parts list	Code	List \$ Price
Shaft. lower bearing & cutter assembly	9004L	269.80
Shaft	9031L	189.26
Tube assembly	9901L	328.99

MF 90/2000 & MFAP 90/2000 whisk tool

Parts list	Code	List \$ Price
Ball bearing	0601	19.61
Waterproof seal	0608	26.32
Pin 3 X 20	0744	3.05
Pin 3 X 14	0745	2.75
Spacer screws (4)	7903	6.37
Holder + plastic ejector + seal	8612	89.41
Plastic ejector (pair)	8613	38.17
Whisk (Pair)	8615	203.98
Reduction gear assembly	9034	404.84
Lower casing w/o middle gear	9046	335.68
Central double gear & shaft	9048	142.45
Single gear (2)	9049	115.79
Upper plastic casing	9050	118.15
Coupling casing + pin	9051	20.74
Equipped upper shaft	9055	98.40
Complete upper casing	9057	153.52
F 90 Complete Whisk tool (see machine catalog)	AC003	-



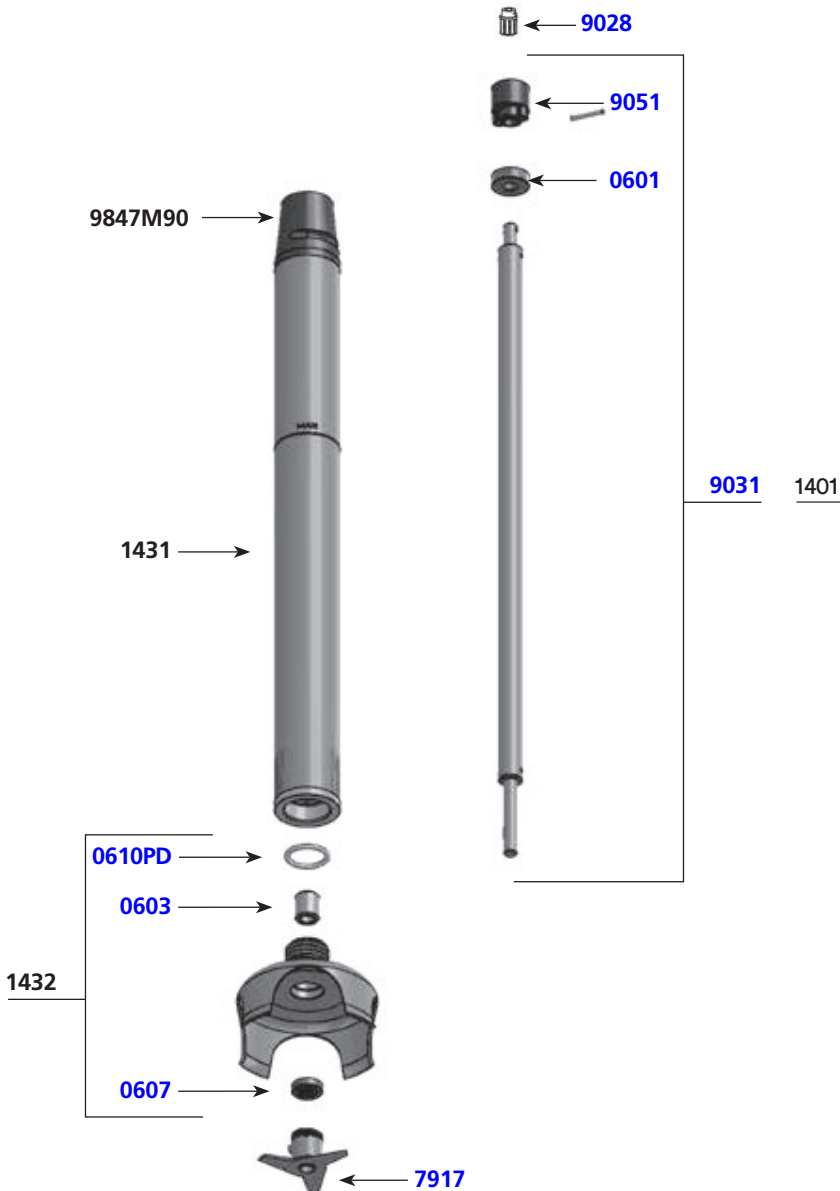
Wall bracket

Parts list	Code	List \$ Price
Wall bracket	0880	99.52

MF 90/2000 & MFAP 90/2000

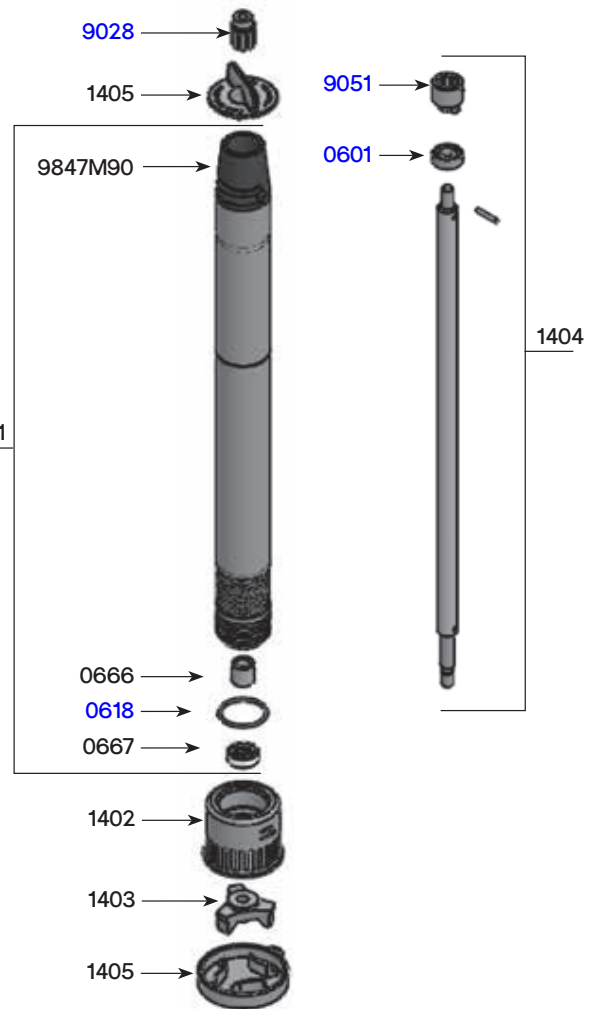
MF 90/2000 & MFAP 90/2000 foot - Ref **AC002.H**
(Complete attachment)

Parts list	Code	List \$ Price
Ball bearing	0601	19.61
Self-lubricating ring	0603	4.57
Waterproof seal	0607	25.60
O. ring	0610PD	4.36
Tube assembly + bearing	1431	303.11
Bell	1432	285.79
Cutter blade w/ screw	7917	51.95
Coupler for armature	9028	13.08
Shaft	9031	173.64
Coupling casing + pin	9051	20.74
Black tip	9847.M90	80.82

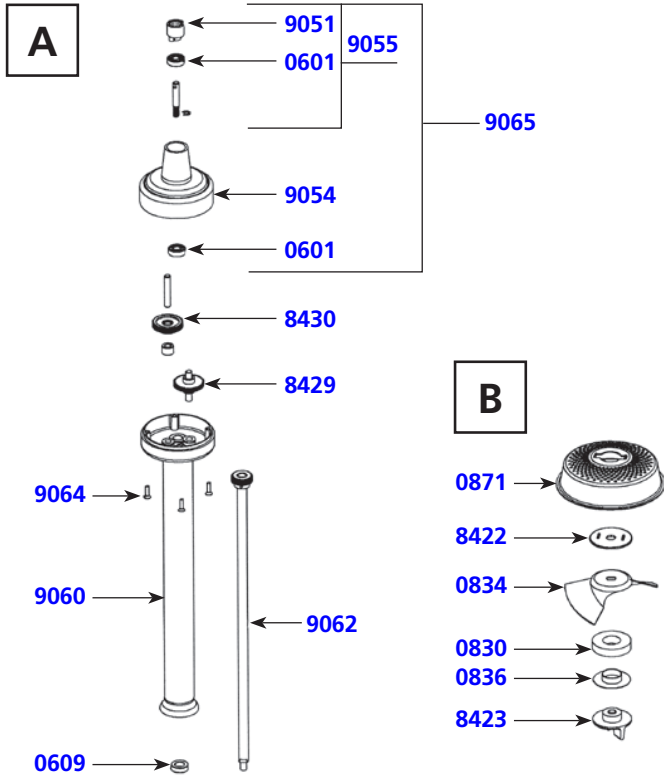


PIED BLENDER MASTER - Ref **AC070**
(Complete attachment)

Parts list	Code	List \$ Price
Ball bearing	0601	19.61
Seals for bearing assembly (2)	0618	6.00
Self-lubricating ring	0666	18.80
Waterproof seal	0667	40.05
Foot assembly	1401	296.99
Blender bell	1402	139.80
Cutter blade	1403	68.67
Shaft	1404	188.56
Blender key	1405	25.83
Coupler for armature	9028	13.08
Coupling casing + pin	9051	20.74
Black tip	9847.M90	80.82

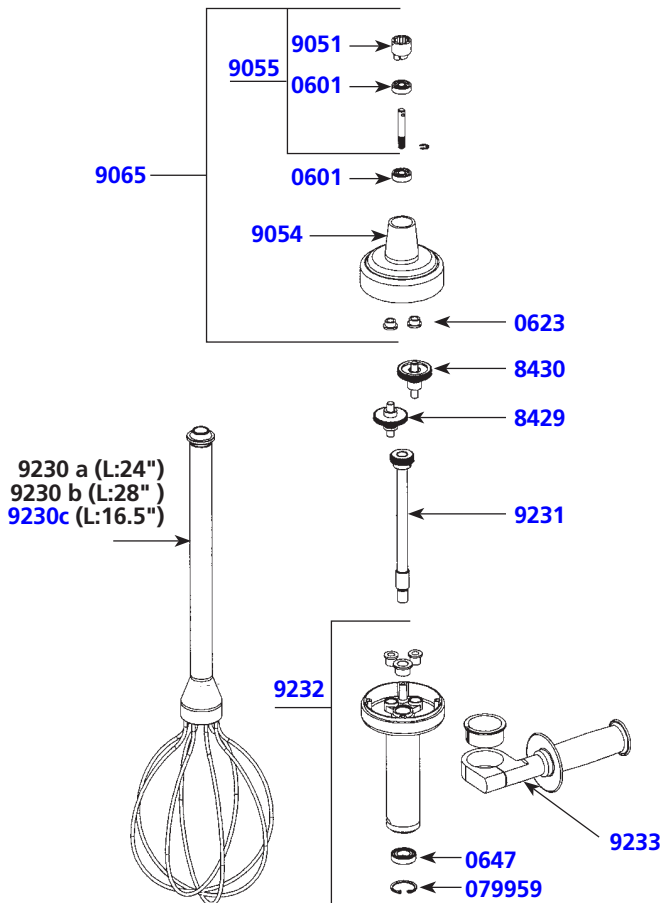


AP 90 RICER ATTACHMENT



Parts list	Code	List \$ Price
Waterproof seal	0609	22.91
Rubber washer	0830	19.41
Blade	0834	131.88
Washer friction	0836	19.90
Grid	0871	163.53
Anti-friction washer	8422	23.22
Lower bolt	8423	44.18
Double gear with washer	8429	165.85
Single gear & shaft	8430	173.64
Coupling casing w/pin	9051	20.74
Reducing casing & seal	9054	116.37
Equipped upper shaft	9055	98.40
Foot assembly	9060	434.95
Main shaft + gear	9062	222.33
Reduction casing screws (4)	9064	5.40
Complete reduction box	9065	153.52

MASTER WHIP FM SERIES



Parts list	Code	List \$ Price
Ball bearing	0601	19.61
Bushing (1)	0623	2.63
Bearing	0647	27.06
Circlips	079959	2.78
Double gear with washer	8429	165.85
Middle gear & axle	8430	173.64
Coupling casing w/pin	9051	20.74
Reducing casing+2 seals	9054	116.37
Equipped upper shaft	9055	98.40
Complete reduction box	9065	153.52
Mono whisk / L : 24"	9230 a	654.61
Mono whisk / L : 28"	9230 b	672.66
Mono whisk / L : 16.5"	9230 c	624.78
Main shaft	9231	414.03
Lower carter	9232	244.67
Handle + casing	9233	111.47
Complete reduction box w/ out bowl whisk and handle	9250	800.88