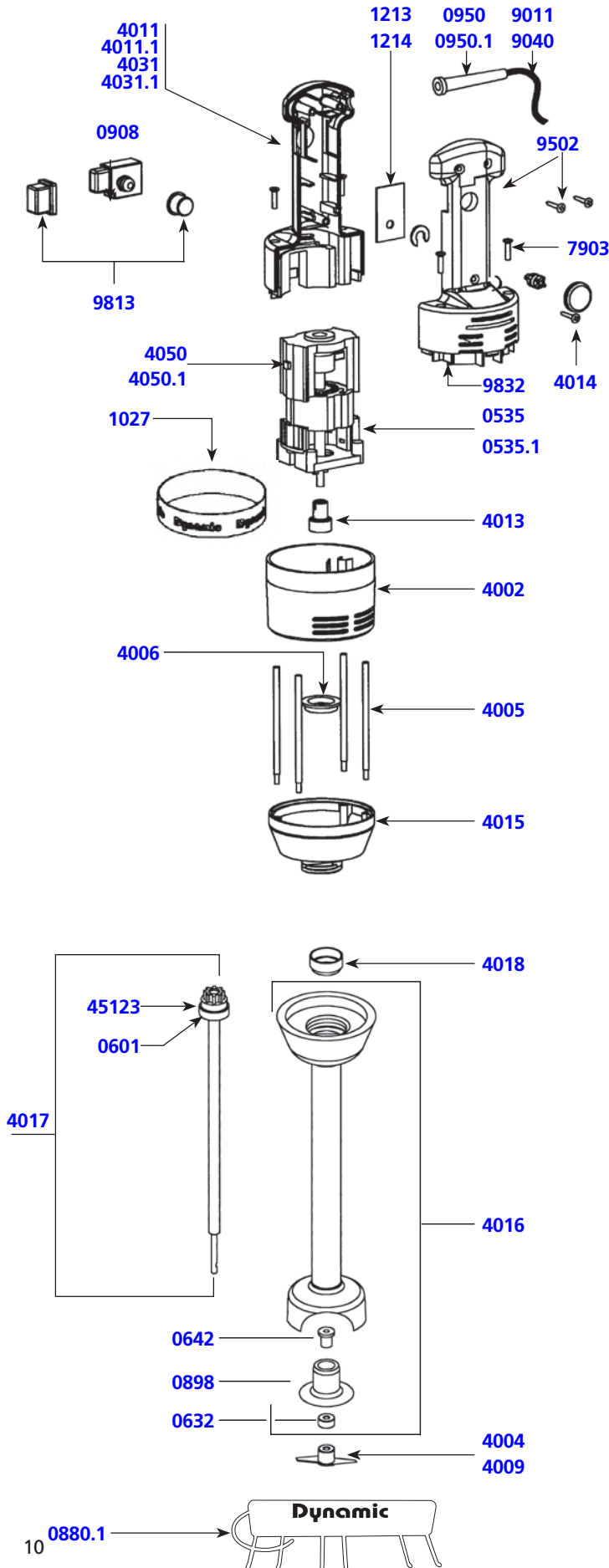


JUNIOR PLUS & JUNIOR COMBI



Power unit

Parts list

Code List \$ Price

Parts list	Code	List \$	Price
Motor 230 V	0535	233.16	
Motor 115 V	0535.1	233.16	
Wall bracket	0880.1	110.91	
Non-locking switch	0908	41.06	
Strain relief 230V	0950	3.44	
Strain relief 115V	0950.1	3.44	
Dynamic label	1027	17.11	
Id label (Junior Plus) 230V	1084	7.38	
Id label (Junior Plus) 115V	1085	7.38	
Id label (Junior Combi) 230V	1086	7.38	
Id label (Junior Combi) 115V	1087	7.38	
Speed variator 230V	1213	135.95	
Speed variator 115V	1214	118.15	
Upper motor housing	4002	33.56	
Spacer rods (4)	4005	21.68	
Ball bearing sleeve	4006	6.16	
Complete handle w/ power cord 230V	4010	148.61	
Complete handle w/ power cord 115V	4010.1	148.61	
Lower half handle w/ Junior Plus label 230V	4011	39.97	
Lower half handle w/ Junior Plus label 115V	4011.1	39.97	
Filtering capacitor	4012	23.93	
Coupling	4013	18.41	
Speed variator knob	4014	18.41	
Lower aluminium motor housing	4015	159.53	
Complete handle w/ power cord 230V	4030	148.61	
Complete handle w/ power cord 115V	4030.1	148.61	
Lower half handle w/ Junior Combi label 230V	4031	39.97	
Lower half handle w/ Junior Combi label 115V	4031.1	39.97	
Motor brushes (2) 230 V	4050	17.18	
Motor brushes (2) 115 V	4050.1	17.18	
Spacer screws (4)	7903	6.37	
Power cord 230 V	9011	30.44	
Power cord 115 V	9040	38.09	
Handle screws (3)	9502	0.84	
Switch protector	9813	11.87	
Upper half handle Junior Plus & Junior Combi	9832	35.89	

Complete foot assembly

Parts list

Code List \$ Price

Parts list	Code	List \$	Price
Ball bearing	0601	19.61	
Waterproof seal	0632	11.86	
Bushing	0642	2.65	
Bearing only	0898	22.67	
Cutter blade	4004	40.29	
Emulsifying blade	4009	56.27	
Foot assembly	4016	255.73	
Kit w/shaft and coupling hub	4017	110.48	
Ball bearing sleeve	4018	5.54	
Coupling hub	45123	31.02	

Whisk tool

Parts list	Code	List \$ Price
Ball bearing	0601	19.61
Pins 3 x 10	0638	2.75
Pins 3 x 20	0744	3.05
Open head locking washer (unit)	0766	1.91
Entry gear	0837A	40.93
Lower motor whisk housing	4019	166.61
Equipped upper shaft (complete)	4020	90.44
Plate w/ seals and screws	4021	53.63
Holder assembly screws (4)	4022	5.80
Reduction gear assembly	4025	366.37
Middle gear & shaft	9420	118.21
Equipped output axle w/ 2 gears+pins	9421	112.44
Holder assembly w/ 3 self lubricating rings	9422	59.72
Whisk tool (2)	9424	107.67
Coupling hub	45123	31.02
Upper driving shaft	089947	42.99

