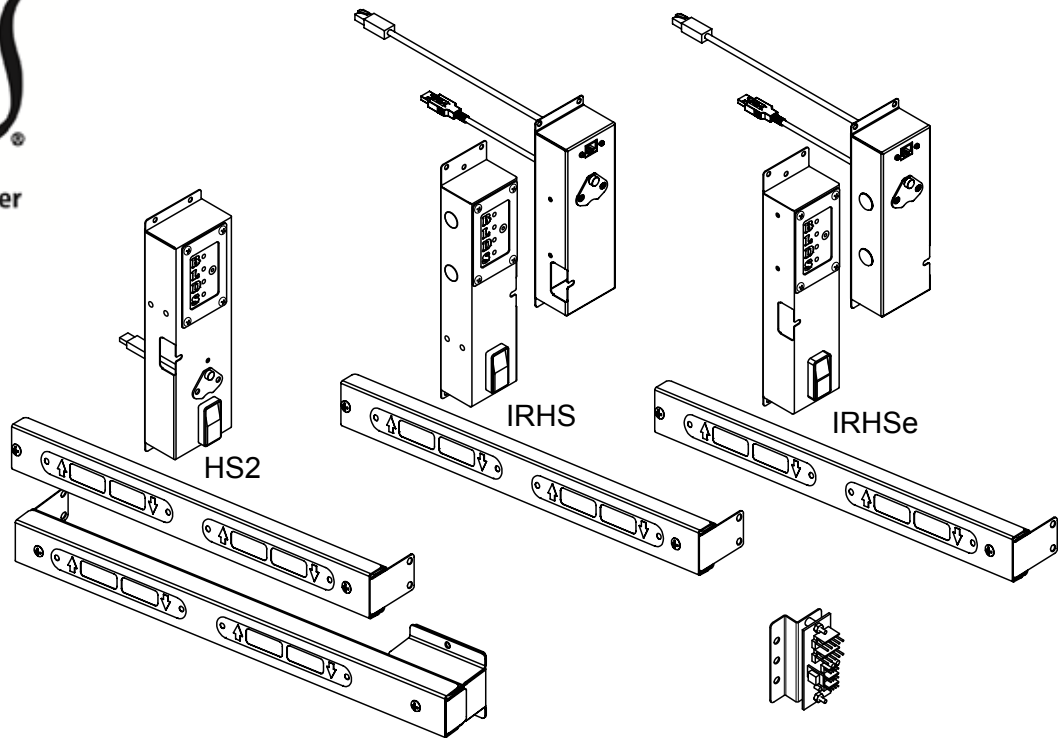


Illustrated Parts List



Your Solutions Partner



VISOR RETROFIT CONVERSION KITS

MODELS

HS2

IRHS

IRHSe

*This manual is Copyright © 2019 Duke Manufacturing Co. All rights reserved.
Reproduction without written permission is prohibited. Duke is a registered
trademark of the Duke Manufacturing Co.*

Duke Manufacturing Co.

2305 N. Broadway • St. Louis, MO 63102

800.735.3853 • 314.231.1130

Fax: 314-231-5074

www.dukemfg.com

How to Determine Manufacture Date from Duke Equipment Serial Numbers

All units currently manufactured in St. Louis and Sedalia, Missouri (After 2/1/2013):

08 03 0202

(Example: 08030202 = Indicates the unit was manufactured in August of 2003)

Units Manufactured in St. Louis, Missouri (Before 2/1/2013):

30 IF AA 0123

Unit Identification

- 10 = 5/9
- 20 = 6/13 & E-Series
- 30 = 6/18 & 3/9
- 90 = FBB
- 94 = FWM
- 95 = IRHU
- 99 = Dry Channel

Year of Manufacture

- A = 1
- B = 2
- C = 3
- D = 4
- E = 5
- F = 6
- G = 7
- H = 8
- I = 9
- J = 0

Sequential Number

Month of Manufacture

- JA = January
- JB = February
- JC = March
- JD = April
- JE = May
- JF = June
- JG = July
- JH = August
- JI = September
- AJ = October
- AA = November
- AB = December

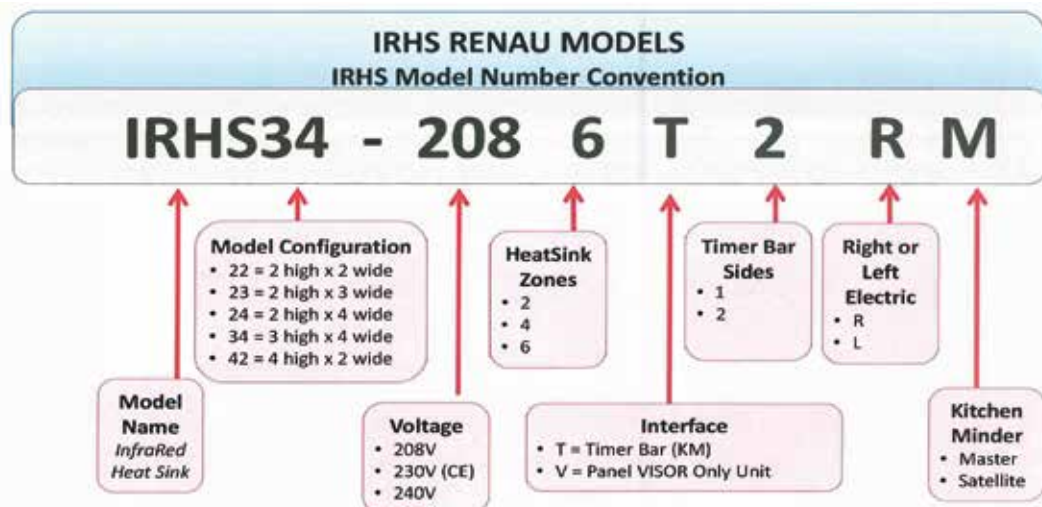
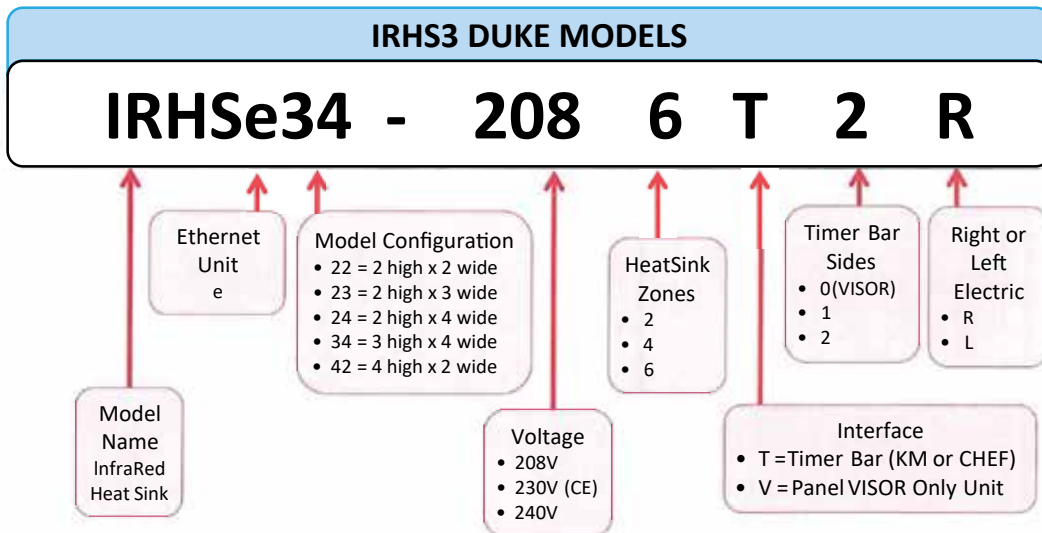
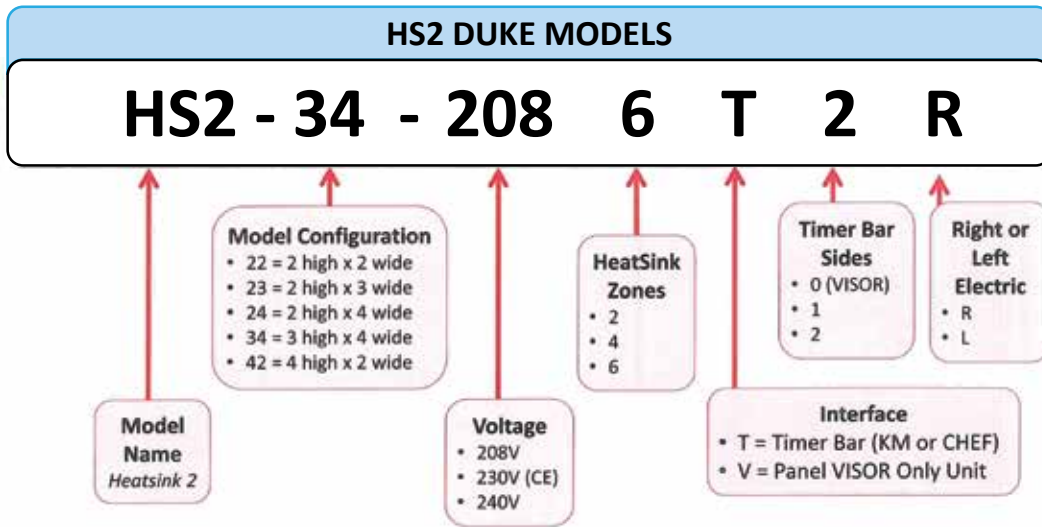
(Examples)

- (JJ = 2000)
- (JA = 2001)
- (JB = 2002)

TABLE OF CONTENTS

MODEL NUMBER CONVENTION	4
HS2 - IRHS - IRHSe WIRE HARNESSSES	5
HS2 VISOR CONVERSION KIT.....	6-7
IRHS VISOR CONVERSION KIT	8-9
IRHSe VISOR CONVERSION KIT	10-11

MODEL NUMBER CONVENTION



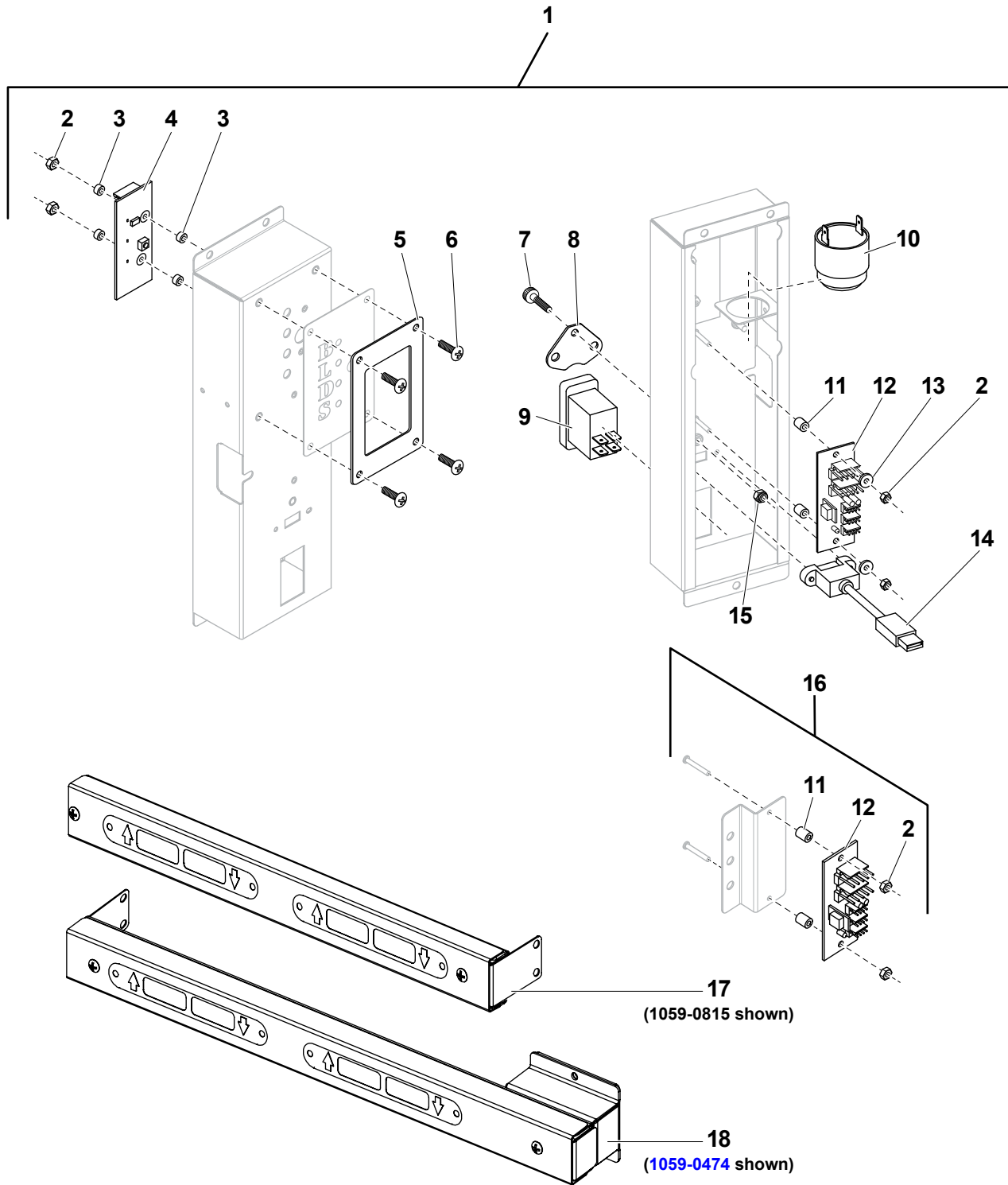
HS2 - IRHS - IRHSe WIRE HARNESSSES

HS2 Wire Harnesses - Visor Retrofit Conversion Kits											
PART NO.	DESCRIPTION	HS2-22		HS2-23		HS2-24		HS2-34		HS2-42	
		TR1	TR2	TR1	TR2	TR1	TR2	TR1	TR2	TR1	TR2
ELC0137	Harness, Jumper Day Part	1	1	1	1	1	1	1	1	1	1
ELC0138	Harness, Jumper Can & Pwr	1	1	1	1	1	1	1	1		
ELC0140	Harness, Jumper Main Switch	1	1	1	1	1	1	1	1	1	1
ELC0161	Harness, Jumper Rear Timer Bar		1		1		1		1		
ELC0166	Harness, Jumper T/Bar Power to T/Bar Power							1			
166104	Harness, Jumper, IO to IO								1		1
ELC0171	Harness, Jumper Can & Power									1	1
ELC0172	Harness, Jumper Rear Timer Bar										1

IRHS Wire Harnesses - Visor Retrofit Conversion Kits																	
PART NO.	DESCRIPTION	IRHS-22-LH		IRHS-22-RH		IRHS-23-LH		IRHS-23-RH		IRHS-24-RH		IRHS-34-RH		IRHS-34-RH Tall-Special		IRHS-42-RH	
		T1L	T2L	T1R	T2R	T1L	T2L	T1R	T2R	T1R	T2R	T1R	T2R	T1R	T2R	T1R	T2R
ELC0137	Harness, Jumper Day Part	1	1	1	1	1	1	1	1	1	1	1	1	1	1	1	1
ELC0138	Harness, Jumper CAN & Pwr	1	1	1	1	1	1	1	1	1	1	1	1	1	1		
ELC0140	Harness, Jumper Main Switch	1	1	1	1	1	1	1	1	1	1	1	1	1	1	1	1
ELC0161	Harness, Jumper Rear Timer Bar		1		1		1		1		1		1		1		
ELC0166	Harness, Jumper T/Bar Power to T/Bar Power											1	2	1	2		
ELC0171	Harness, Jumper 4 x 2 CAN & Pwr															1	1

IRHSe Wire Harnesses - Visor Retrofit Conversion Kits													
PART NO.	DESCRIPTION	IRHSe-22-RH		IRHSe-23-RH		IRHSe-24-RH		IRHSe-34-RH		IRHSe-42-RH			
		T1R	T2R	T1R	T2R	T1R	T2R	T1R	T2R	T1R	T2R		
ELC0137	Harness, Jumper Day Part	1	1	1	1	1	1	1	1	1	1		
ELC0138	Harness, Jumper CAN & Pwr	1	1	1	1	1	1	1	1				
ELC0140	Harness, Jumper Main Switch	1	1	1	1	1	1	1	1	1	1		
ELC0161	Harness, Jumper Rear Timer Bar		1		1		1		1				
ELC0166	Harness, Jumper T/Bar Power to T/Bar Power							1	2				
ELC0171	Harness, Jumper 4 x 2 CAN & Pwr									1	1		
ELC0172	Harness, Jumper 4 x 2 Rear Timer Bar										1		

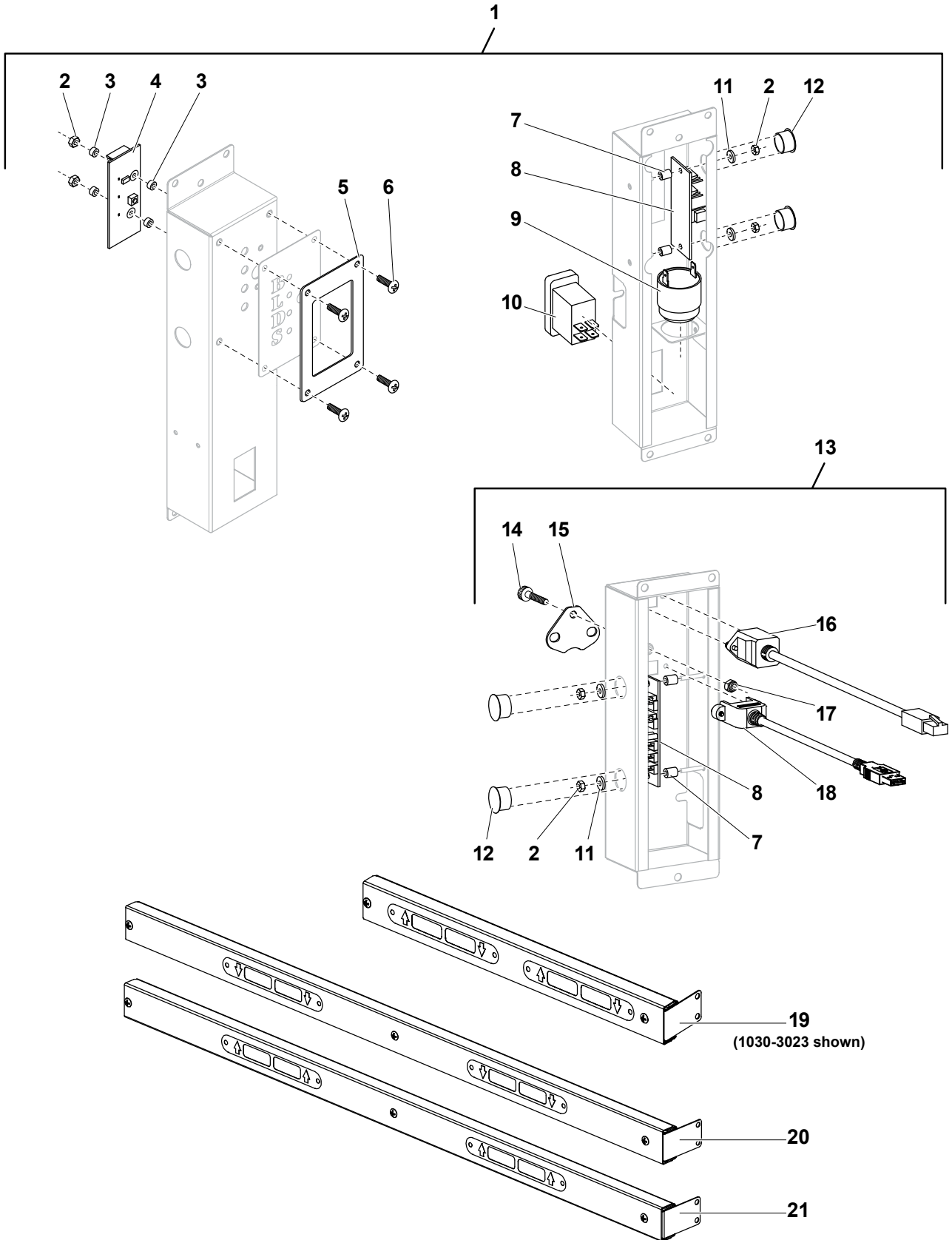
HS2 VISOR CONVERSION KIT



HS2 VISOR CONVERSION KIT

ITEM	PART NO.	DESCRIPTION	HS2-22		HS2-23		HS2-24		HS2-34		HS2-42	
			TR1	TR2	TR1	TR2	TR1	TR2	TR1	TR2	TR1	TR2
CONVERSION HOUSINGS - VISOR RETROFIT CONVERSION KITS (CONVERSION HOUSING COMPONENTS LISTED BELOW)												
1	1059-0795	HS2 Visor Conversion Housing, Front, 2 High	1	1	1	1	1	1				
	1059-0790	HS2 Visor Conversion Housing, Front, 3 High							1	1		
	1059-0820	HS2 Visor Conversion Housing, Front, 4 High									1	1
Components – Conversion Housings												
2	223470	Nut, 4-40 Nylon Locknut	4	4	4	4	4	4	4	4	4	4
3	225171	Spacer, Round, 1/4" x 1/8" x .166 ID	1	1	1	1	1	1	1	1	1	1
4	225184	Day Part PCB	4	4	4	4	4	4	6	6	4	4
5	1059-0394	Bezel, Daypart Mylar	1	1	1	1	1	1	1	1	1	1
6	279500	Screw, 8-32 x 1/2" PTHMS 18-8SS	4	4	4	4	4	4	4	4	4	4
7	1059-0731	Screw, Knurled Thumb 8-32 x 5/8 SS	1	1	1	1	1	1	1	1	1	1
8	1059-0679	Cover, USB	1	1	1	1	1	1	2	2	1	1
9	169629	Switch, Sealed Carling	2	2	2	2	2	2	4	4	2	2
10	512766	Buzzer, Ultra Loud Continuous Tone	2	2	2	2	2	2	4	4	2	2
11	166100	Spacer, Tube Nylon .25OD x .125ID x .375H	1	1	1	1	1	1	1	1	1	1
12	225181	Assembly, Timer Bar 5V Power PCB	1	1	1	1	1	1	1	1	1	1
13	166102	Washer, 0.375OD x 0.13ID x 0.062THK	1	1	1	1	1	1	1	1	1	1
14	ELC0084	USB-A To Panel Mount USB-A	1	1	1	1	1	1	1	1	1	1
15	1059-0732	Nut, 8-32, Flex Lock, 18-8 SS	1	1	1	1	1	1	1	1	1	1
16	1059-0792	HS2 Visor Conv. Mtg. Brkt. & P-Brd, T-Bar		1		1		1		2		2
TIMER BARS - VISOR RETROFIT CONVERSION KITS (Timer Bar Components not sold separately)												
17	1059-0815	HS2 Visor Conversion, Front Timer Bar 2W	1	1							2	2
18	1059-0474	HS2 Visor Conversion, Rear Timer Bar 2W		1								2
17	1059-0810	HS2 Visor Conversion, Front Timer Bar 3W			1	1						
18	1059-0443	HS2 Visor Conversion, Rear Timer Bar 3W				1						
17	1059-0788	HS2 Visor Conversion, Front Timer Bar 4W					1	1	1	1		
18	1059-0210	HS2 Visor Conversion, Rear Timer Bar 4W						1		1		
17	1059-0785	HS2 Visor Conversion, Top Front Timer Bar 4W							1	1		
18	1059-0475	HS2 Visor Conversion, Top Rear Timer Bar 4W								1		

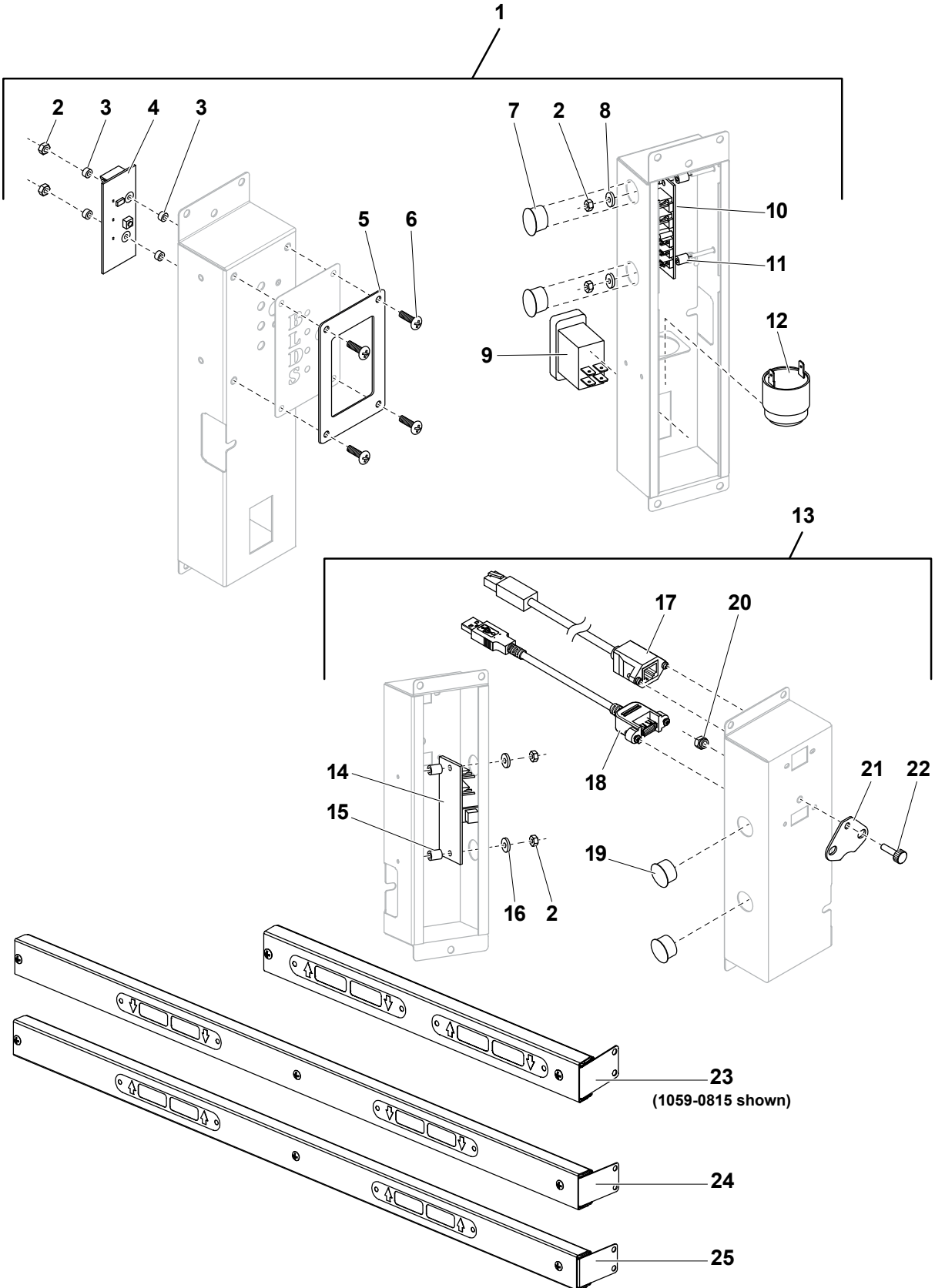
IRHS VISOR CONVERSION KIT



IRHS VISOR CONVERSION KIT

ITEM	PART NO.	DESCRIPTION	IRHS-22-LH		IRHS-22-RH		IRHS-23-LH		IRHS-23-RH		IRHS-24-RH		IRHS-34-RH		IRHS-34-RH Tall-Special		IRHS-42-RH	
			T1L	T2L	T1R	T2R	T1L	T2L	T1R	T2R	T1R	T2R	T1R	T2R	T1R	T2R	T1R	T2R
FRONT CONVERSION HOUSINGS - VISOR RETROFIT CONVERSION KITS																		
1	1030-3011	IRHS Visor Conversion Housing, LH, Frontt, 2H	1	1			1	1										
	1030-2992	IRHS Visor Conversion Housing, RH, Front, 2H			1	1			1	1	1	1						
	1030-2990	IRHS Visor Conversion Housing, RH, Front, 3H											1	1				
	1030-3049	IRHS Visor Conversion Housing, RH, Tall-Special Front, 3H														1	1	
	1030-3025	IRHS Visor Conversion Housing, RH, Front, 4H																1
Components - Front Conversion Housings																		
2	223470	Nut, 4-40 Nylon Locknut	4	4	4	4	4	4	4	4	4	4	6	6	6	6	4	4
3	225171	Spacer, Round1/4" x 1/8" x .166 ID	4	4	4	4	4	4	4	4	4	4	4	4	4	4	4	4
4	225184	Day Part PCB	1	1	1	1	1	1	1	1	1	1	1	1	1	1	1	1
5	1059-0394	Bezel, Day Part Mylar	1	1	1	1	1	1	1	1	1	1	1	1	1	1	1	1
6	279500	Screw, 8-32 x 1/2" PTHMS 18-8SS	4	4	4	4	4	4	4	4	4	4	4	4	4	4	4	4
7	166100	Spacer, Tube Nylon 0.25OD x 0.125ID x 0.375H	2	2	2	2	2	2	2	2	2	2	4	4	4	4	2	2
8	225181	Assembly, Timer Bar 5V Power PCB	1	1	1	1	1	1	1	1	1	2	2	2	2	1	1	
9	512766	Buzzer, Ultra Loud Continuous Tone	1	1	1	1	1	1	1	1	1	1	1	1	1	1	1	1
10	169629	Switch, Sealed Carling	1	1	1	1	1	1	1	1	1	1	1	1	1	1	1	1
11	166102	Washer, 0.375OD x 0.13ID x 0.062THK	2	2	2	2	2	2	2	2	2	4	4	4	4	2	2	
12	214487	Plug, Dome DP 5/8" Black	2	2	2	2	2	2	2	2	2							
REAR CONVERSION HOUSINGS - VISOR RETROFIT CONVERSION KITS																		
13	1030-3013	IRHS Visor Conversion Housing, LH, Rear, 2H		1			1											
	1030-2993	IRHS Visor Conversion Housing, RH, Rear, 2 H				1			1		1							
	1030-2991	IRHS Visor Conversion Housing, RH, Rear, 3H											1					
	1030-3051	IRHS Visor Conversion Housing, RH, Tall-Special, Rear, 3H														1		
	1030-3029	IRHS Visor Conversion Housing, RH, Rear, 4 H																1
Components - Rear Conversion Housings																		
2	223470	Nut, 4-40 Nylon Locknut		2		2		2		2		2	4		4		2	
7	166100	Spacer, Tube Nylon 0.25OD x 0.125ID x 0.375H		2		2		2		2		2	4		4		2	
8	225181	Assembly, Timer Bar 5V Power PCB		1		1		1		1		2		2		1		
11	166102	Washer, 0.375OD x 0.13ID x 0.062THK		2		2		2		2		4		4		2		
12	214487	Plug, Dome DP 5/8" Black		2		2		2		2								
14	1059-0731	Screw, Knurled Thumb 8-32 x 5/8 SS		1		1		1		1		1	1		1	1		
15	1059-0679	Cover, USB		1		1		1		1		1	1		1	1		
16	118003	RJ45 Ethernet Cable, Panel Mount		1		1		1		1		1	1		1	1		
17	1059-0732	Nut, 8-32, Flex Lock 18-8 SS		1		1		1		1		1	1		1	1		
18	166141	Jumper, USB to USB		1		1		1		1		1	1		1	1		
TIMER BARS - VISOR RETROFIT CONVERSION KITS (Timer Bar Components not sold separately)																		
19	1030-3023	IRHS Visor Conversion, Timer Bar, 2W	1	2	1	2											2	4
	1030-3018	IRHS Visor Conversion, Timer Bar, 3W					1	2	1	2								
	1030-3000	IRHS Visor Conversion, Timer Bar, 4W									1	2	1	2	1	2		
20	1030-3003	IRHS Visor Conversion, Timer Bar, Top Front, 4W										1	1	1	1			
21	1030-3004	IRHS Visor Conversion, Timer Bar, Top Rear, 4W											1		1			

IRHSe VISOR CONVERSION KIT



IRHSe VISOR CONVERSION KIT

ITEM	PART NO.	DESCRIPTION	IRHSe-22-RH		IRHSe-23-RH		IRHSe-24-RH		IRHSe-34-RH		IRHSe-42-RH	
			T1R	T2R	T1R	T2R	T1R	T2R	T1R	T2R	T1R	T2R
FRONT CONVERSION HOUSINGS - VISOR RETROFIT CONVERSION KITS												
1	1030-2992	IRHS Visor Conversion Housing, RH, Front, 2H	1	1	1	1	1	1				
	1030-2990	IRHS Visor Conversion Housing, RH, Front, 3H							1	1		
	1030-3025	IRHS Visor Conversion Housing, RH, Front, 4H									1	1
Components - Front Conversion Housings												
2	223470	Nut, 4-40 Nylon Locknut	4	4	4	4	4	4	6	6	4	4
3	225171	Spacer, Round 1/4" x 1/8" x .166 ID	4	4	4	4	4	4	4	4	4	4
4	225184	Day Part PCB	1	1	1	1	1	1	1	1	1	1
5	1059-0394	Bezel, Day Part Mylar	1	1	1	1	1	1	1	1	1	1
6	279500	Screw, 8-32 x 1/2" PTHMS 18-8SS	4	4	4	4	4	4	4	4	4	4
7	214487	Plug, Dome DP 5/8" Black	2	2	2	2	2	2				
8	166102	Washer, 0.375OD x 0.13ID x 0.062THK	2	2	2	2	2	2	4	4	2	2
9	169629	Switch, Sealed Carling	1	1	1	1	1	1	1	1	1	1
10	225181	Assembly, Timer Bar 5V Power PCB	1	1	1	1	1	1	2	2	1	1
11	166100	Spacer, Tube Nylon 0.25OD x 0.125ID x 0.375H	2	2	2	2	2	2	4	4	2	2
12	512766	Buzzer, Ultra Loud Continuous Tone	1	1	1	1	1	1	1	1	1	1
REAR CONVERSION HOUSINGS - VISOR RETROFIT CONVERSION KITS												
13	1030-2993	IRHS Visor Conversion Housing, RH, Rear, 2 H		1		1		1				
	1030-2991	IRHS Visor Conversion Housing, RH, Rear, 3H								1		
	1030-3029	IRHS Visor Conversion Housing, RH, Rear 4H										1
Components - Rear Conversion Housings												
2	223470	Nut, 4-40 Nylon Locknut		2		2		2		4		2
14	225181	Assembly, Timer Bar 5V Power PCB		1		1		1		2		1
15	166100	Spacer, Tube Nylon 0.25OD x 0.125ID x 0.375H		2		2		2		4		2
16	166102	Washer, 0.375OD x 0.13ID x 0.062THK		2		2		2		4		2
17	118003	RJ45 Ethernet Cable, Panel Mount		1		1		1		1		1
18	166141	Jumper, USB to USB		1		1		1		1		1
19	214487	Plug, Dome DP 5/8" Black		2		2		2				
20	1059-0732	Nut, 8-32, Flex Lock 18-8 SS		1		1		1		1		1
21	1059-0679	Cover, USB		1		1		1		1		1
22	1059-0731	Screw, Knurled Thumb 8-32 x 5/8 SS		1		1		1		1		1
TIMER BARS - VISOR RETROFIT CONVERSION KITS (Timer Bar Components not sold separately)												
23	1030-3023	IRHS Visor Conversion, Timer Bar, 2W	1	2							2	4
	1030-3018	IRHS Visor Conversion, Timer Bar, 3W			1	2						
	1030-3000	IRHS Visor Conversion, Timer Bar, 4W					1	2	1	2		
24	1030-3003	IRHS Visor Conversion, Timer Bar, Top Front, 4W							1	1		
25	1030-3004	IRHS Visor Conversion, Timer Bar, Top Rear, 4W								1		



Your Solutions Partner

Duke Manufacturing Company

**2305 N. Broadway
St. Louis, MO 63102
Phone: 314-231-1130
Toll Free: 1-800-735-3853
Fax: 314-231-5074
www.dukemfg.com**