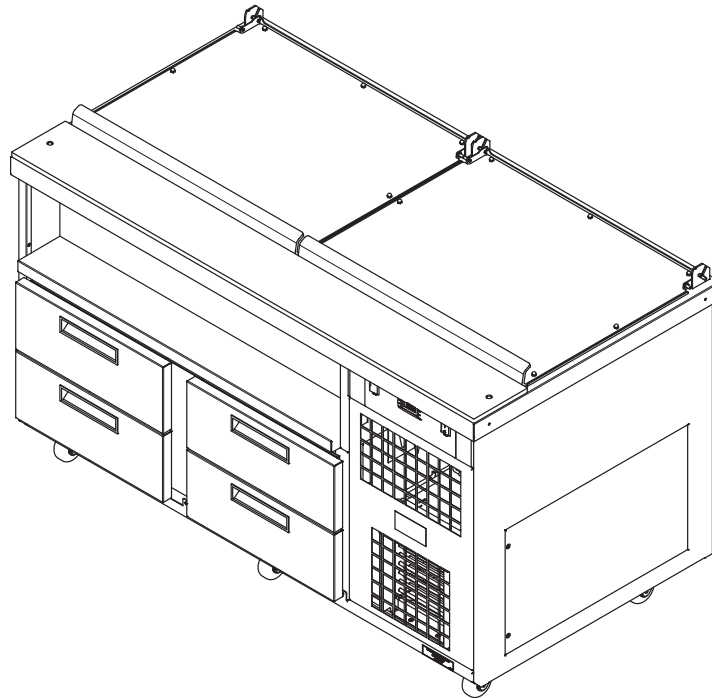




Your Solutions Partner

Illustrated Parts List



REFRIGERATED BASE DUPLEX

MODELS

RBD-60TC4-120 (Tri-Channel)

RBD-60CP4-120 (8" Cold Pan)

RBD-60CP4D-120 (10" Cold Pan)

*This manual is Copyright © 2023 Duke Manufacturing Co. All rights reserved.
Reproduction without written permission is prohibited. Duke is a registered
trademark of the Duke Manufacturing Co.*

Duke Manufacturing Co.

2305 N. Broadway • St. Louis, MO 63102

800.735.3853 • 314.231.1130

Fax: 314-231-5074

www.dukemfg.com

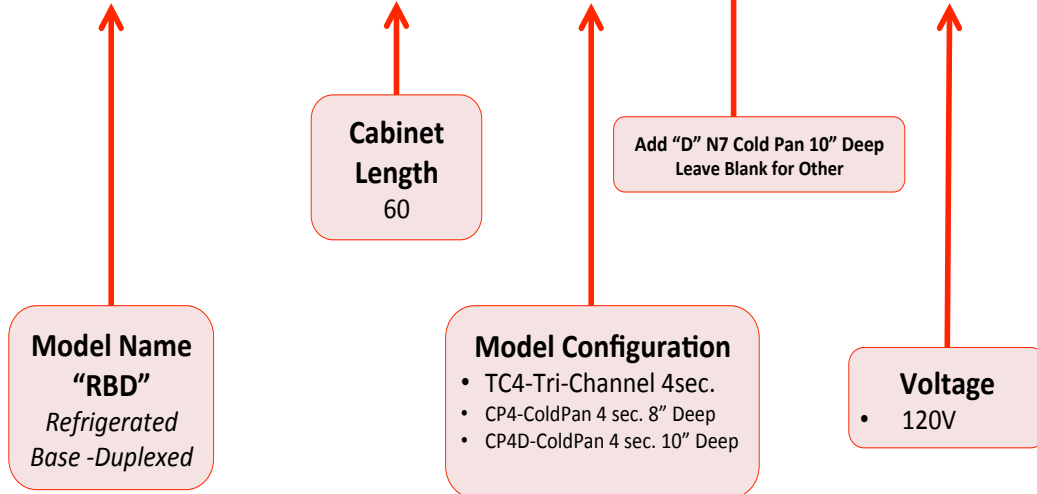


TABLE OF CONTENTS

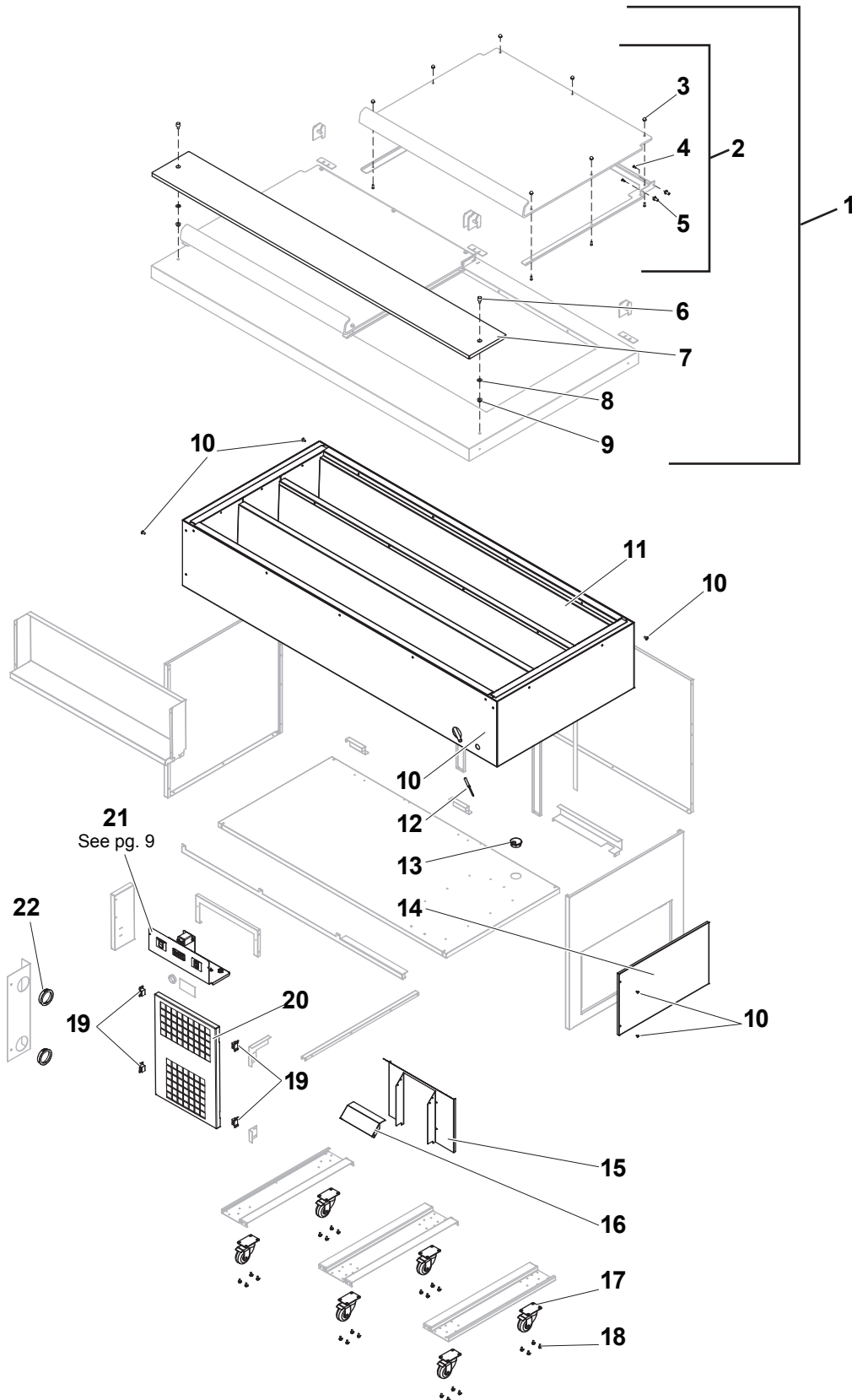
RBD MODEL NUMBER CONVENTION.....	3
RBD-60TC4-120 (Tri-Channel).....	4-5
RBD-60TC4-120 (Tri-Channel) REFRIGERATION ASSEMBLY.....	6-7
RBD-60TC4-120 (Tri-Channel) DRAWER ASSEMBLY.....	8
RBD-60TC4-120 (Tri-Channel) CONTROL PANEL.....	9
RBD-60CP4D-120 & RBD-60CP4-120 (COLD PAN).....	10-11
RBD-60CP COLD PAN REFRIGERATION ASSEMBLY.....	12-13
RBD-60CP COLD PAN DRAWER ASSEMBLY.....	14
RBD-60CP COLD PAN CONTROL PANEL.....	15
WIRING DIAGRAM – DUPLEX TRI-CHANNEL.....	16
WIRING DIAGRAM – COLD PAN.....	17

Refrigerated Base Duplexed Systems RBD Model Number Convention

R B D - 6 0 T C 4 - 1 2 0



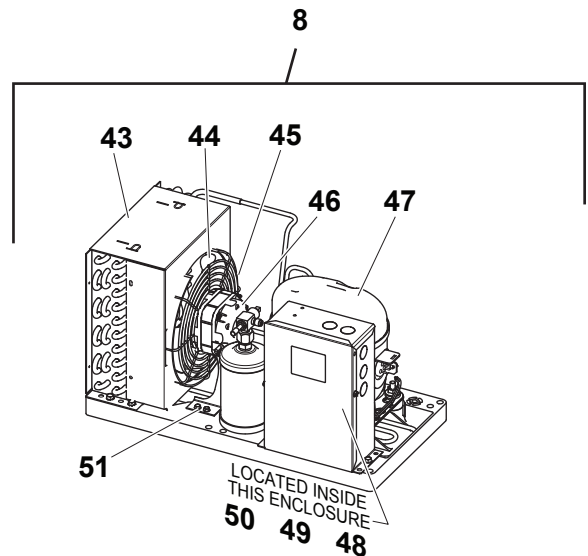
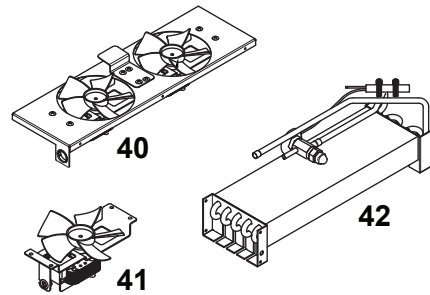
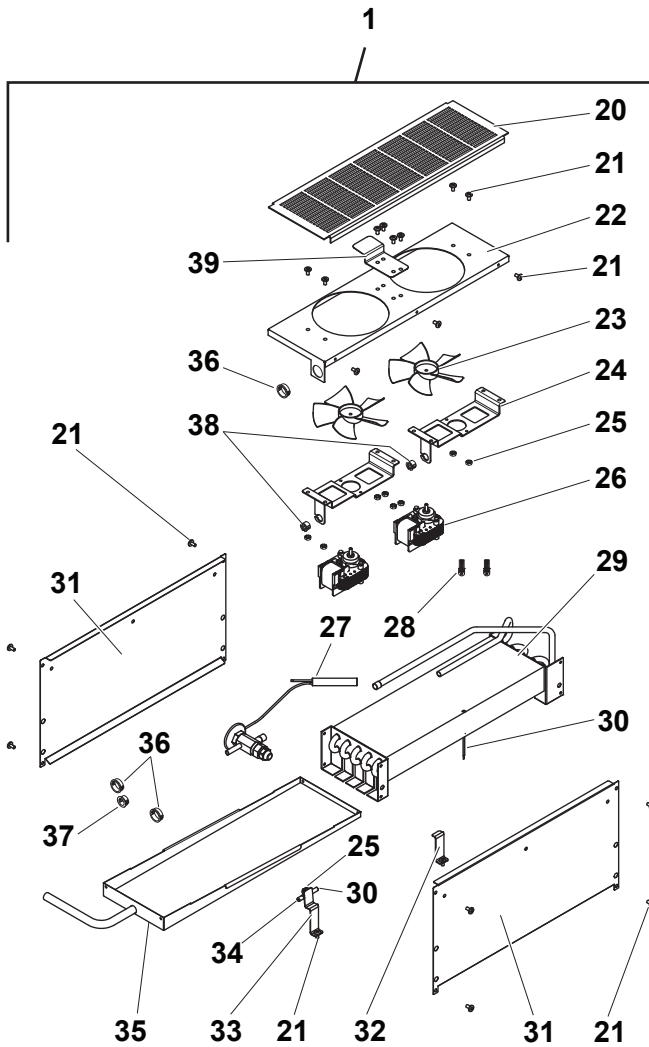
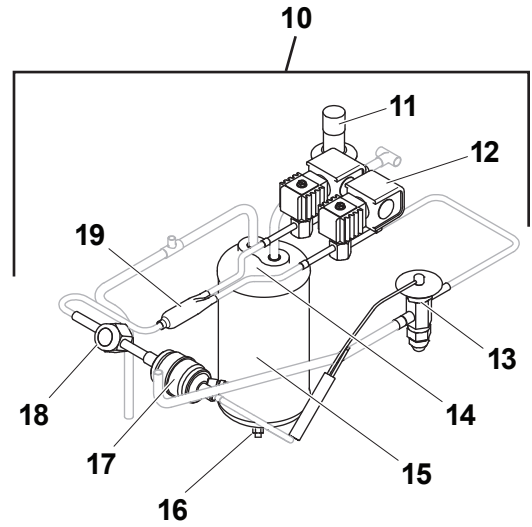
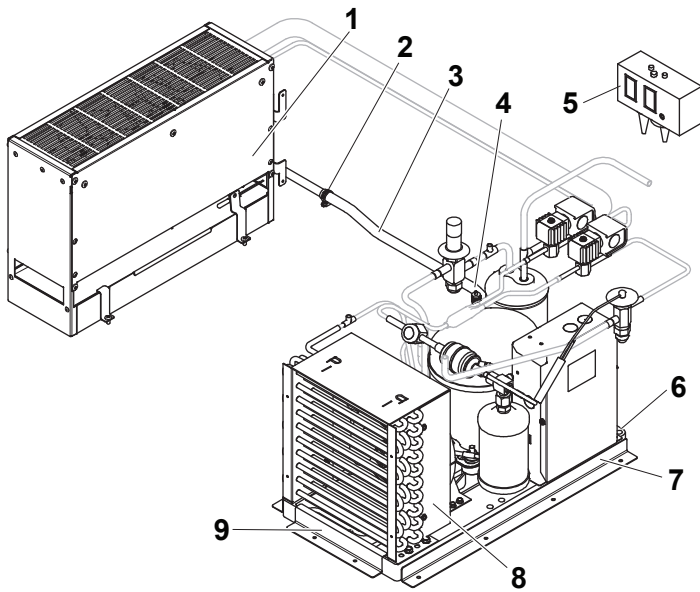
RBD-60TC4-120 (TRI-CHANNEL)



RBD-60CP4-120 (TRI-CHANNEL)

Item	Part No.	Description	Qty.
1	1075-2014K	Service, Assembly, Rbd-60-Tc4 Top	1
2	1075-2005K	Service, Assembly, Acrylic Cover	2
3	213127	Nut, Acorn, 10-24 1/4" Deep	14
4	223961	Screw, Ss Lid Cover	8
5	223825	Night Cover Pin	8
6	214728	Pin Position Board Carving	2
7	525006	Carving Board, 1/2" X 7" X 60" Richlite	1
8	213197	Washer, .625 Od X .281 Id .050 Thick, Ss	2
9	213042	Nut Hex 1/4-20 Serrated	2
10	213360	Screw, 10-24x3/8 Pts Ss W/Nylok Patch	21
11	260954K	Service Assembly, Tri-Channel Foamed Body Tri Di 4s	1
12	526012	Probe, 2.5 Meter Ntc Probe (501-7071)	1
13	213957	Grommet - Round 1-7/8" Black #6727-014	1
14	1075-0134	Service Panel	1
15	1075-0130	Condensing Coil Shroud	1
16	1075-0131	Condensing Coil Shroud Top	1
17	215002	Caster, 3"Dia Swivel W/Brake 4" Load Height	6
18	213023	Screw, 1/4-20x1/2" Trd Frm	24
19	214644	Latch, Magnetic 918 Alum	4
20	1075-0142	Perforated Access Panel	1
21	1075-2019K	Service, Assembly, Control Panel Rbd-60tc4-120	1
22	222047	Bushing, Heyco #2400	2

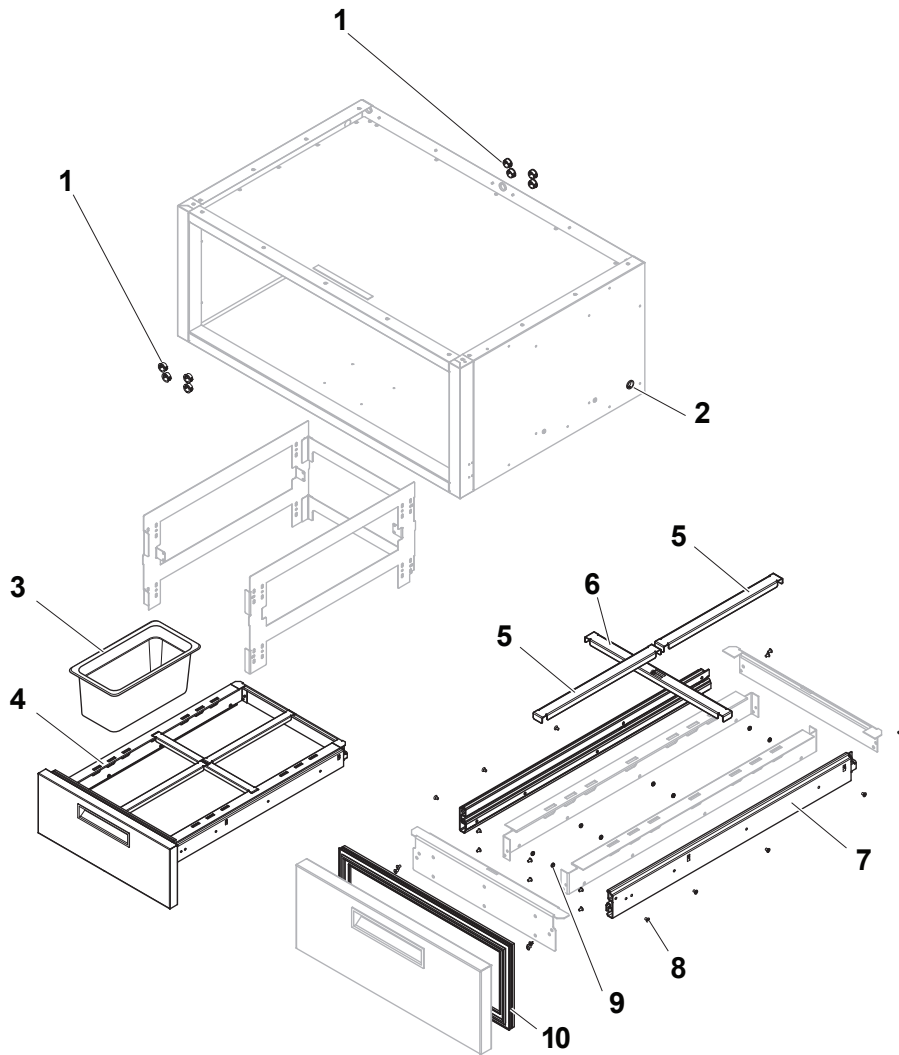
RBD-60TC4-120 (TRI-CHANNEL) REFRIGERATION ASSEMBLY



RBD-60TC4-120 (TRI-CHANNEL) REFRIGERATION ASSEMBLY

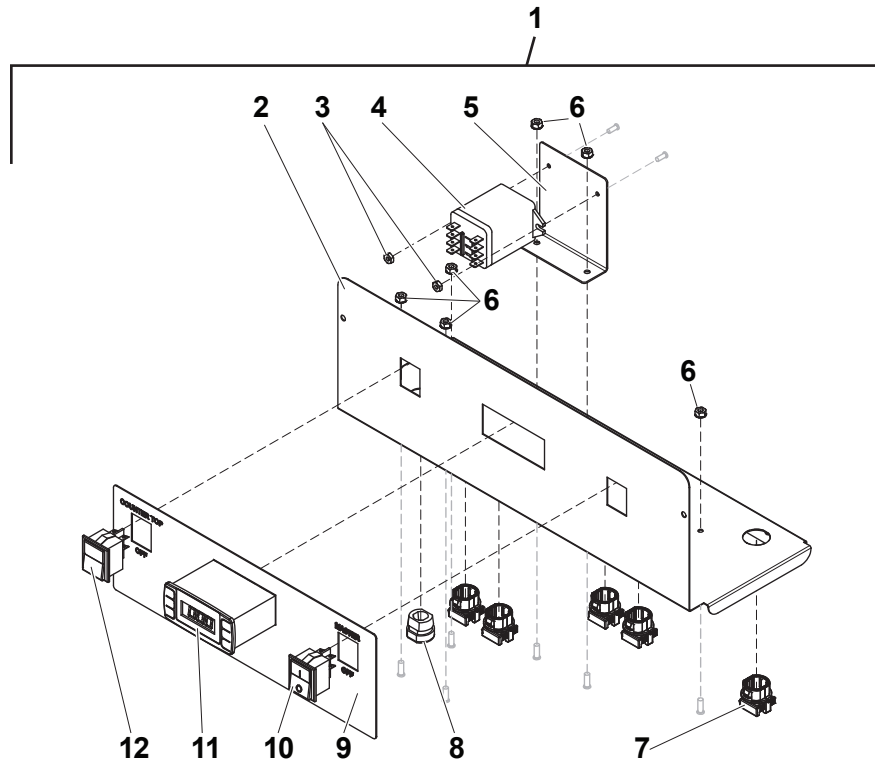
Item	Part No.	Description	Qty.
1	1075-2009K	Service Assembly, Mullion Evap Box	1
2	213450	Clamp, Hose Worm Gear	1
3	1075-0158K	Service, Drain Tube Hose	1
4	216547	Valve 1/4" Schrader	1
5	524805-2K	Service, Assembly, Rbd-60tc Control W/Settings, Dual Press	1
6	1075-0123	Condensing Unit Back Angle	1
7	1075-0122	Condensing Unit Side Guide Angles	2
8	226749	Unit, Condensing 115v 60hz 2180btu/Hr Ae2425z-Aa3cec	1
9	1075-0121	Condensing Unit Hold Down Angle	1
10	1075-2007K	Service, Assembly, Tri-Channel Condensing Unit Manifold	1
11	226045-1K	Valve, Sporlan Cro-4-07/75 3x3 Odf W/ Settings	1
12	216553	Solenoid, Refrig W/Coil 120v	2
13	526316-1K	Valve, Txv Sporlan Efd-1/5-Z 1/4"X3/8" W/ Settings	1
14	226117	Accumulator, Sporlan 3" Dia. 3/8" Fittings 1bs	1
15	526805	Insulation, Accumulator	1
16	213041	Nut Hex 10-24 Serrated	1
17	226039	Drier, Filter	1
18	216415	Sight Glass, 1/4" Odf Solder	1
19	226832	Distributor	1
20	1075-0043	Discharge Plate	1
21	213360	Screw 10-24 X 3/8 Phil	23
22	1075-0082	Fan Base, Mullion Evap Box	1
23	226748	5" Diam, 5 Blade, 3/16" Bore, Cw	2
24	1075-0081	Fan Bracket With Offset	2
25	213322	Nut Hex 10-24 Hz-T Keys	9
26	226746	Motor, Fan, 120v 60hz 0.73a	2
27	526311-1K	Valve, Txv Sporlan Efd-1/10-C 1/4"X3/8"	1
28	213450	Clamp, Hose Worm Gear	2
29	526602	Coil, Evap. Luvata #133207402 (2row)	1
30	526012	Probe, 2.5 Meter Ntc Probe (501-7071)	2
31	1075-0152	Side Panels, Mullion Evap Box	2
32	1075-0155	Hold Down, Mullion Evap Box	3
33	1075-0156	Hold Down, W/Probe Flange	1
34	115412	Clamp, Cable Nylon	1
35	1075-2023K	Service, Drain Pan Assembly	1
36	212911	Bushing, Heyco B-875-750	3
37	213335	Bushing, Heyco Sb-625-8	1
38	175512	Bushing, Heyco,Open,1/2"	2
39	1075-0125	Discharge Grate Support	1
40	1075-0180K	Service, Assembly, Dual Fan W/Blades And Brackets	1
41	1075-0179K	Service, Assembly, Single Fan W/Blade And Bracket	A/R
42	1075-0178K	Service Assembly, Coil Evaporator And Txv Valve	1
43	527113	Service, Condenser Coil (Ref-226749 Cond Unit)	1
44	527118	Service, Condenser Fan Blade (Ref-226749 Cond Unit)	1
45	527119	Service, Condenser Fan Schroud (Ref-226749 Cond Unit)	1
46	527117	Service, Condenser Fan Motor (Ref-226749 Cond Unit)	1
47	527112	Service, Compressor (Ref-226749 Cond Unit)	1
48	527115	Service, Run Capacitor (Ref-226749 Cond Unit)	1
49	527116	Service, Relay (Ref-226749 Cond Unit)	1
50	527114	Service, Start Capacitor (Ref-226749 Cond Unit)	1

RBD-60TC4-120 (TRI-CHANNEL) DRAWER ASSEMBLY



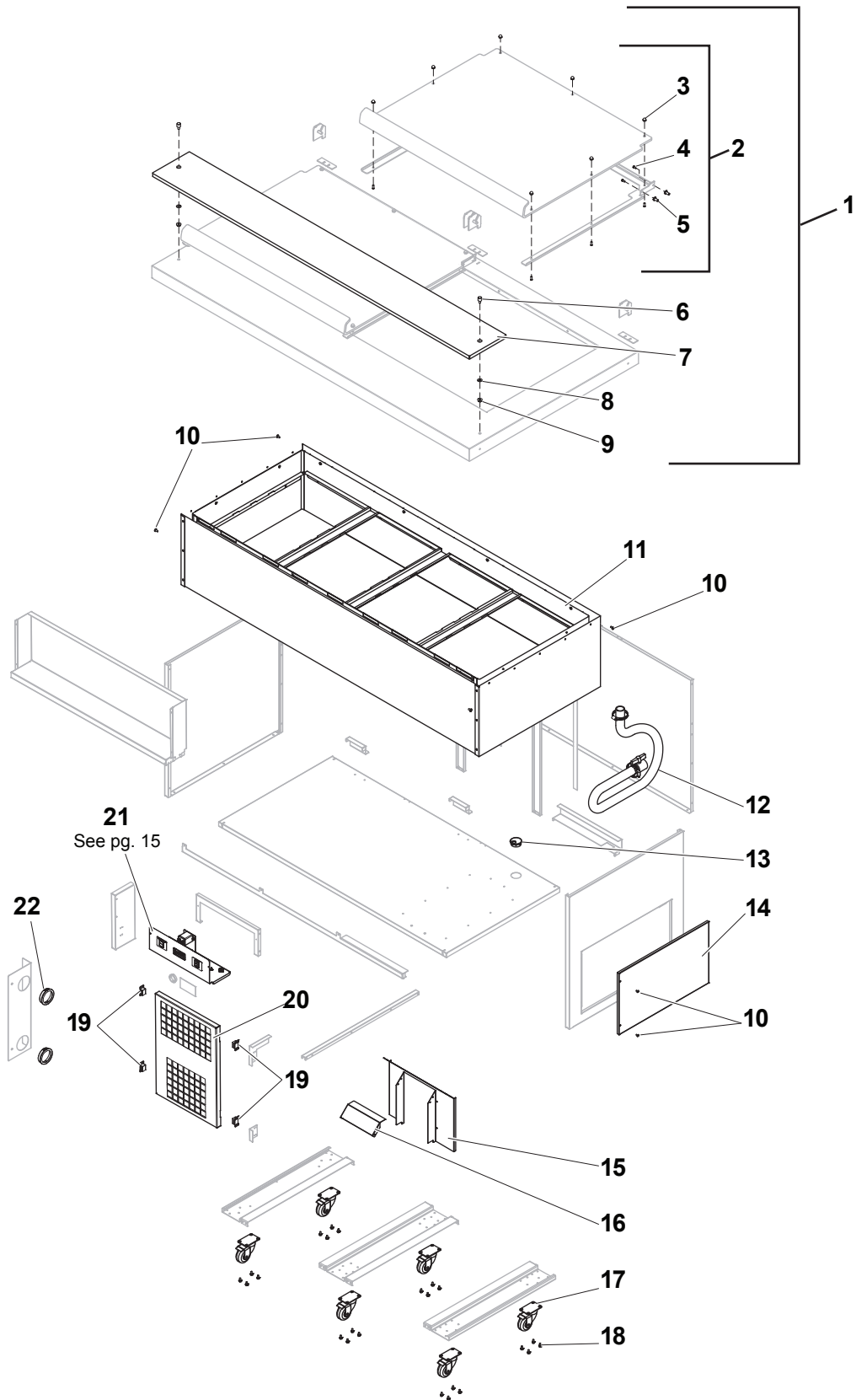
Item	Part No.	Description	Qty.
1	212023	Bushing,Heyco Sb-875-11	8
2	212911	Bushing,7/8" Heyco 2850	2
3	217633	Pan, 1/3 6" Dp Black	A/R
4	1075-2022K	Service Assembly, Single Drawer Assembly	A/R
5	1075-0055	Pan Support	8
6	1075-0054	Pan Support	4
7	211602	Slide, Drawer	4
8	223362	Screw, Ms Ss Phillips Flat Hd. 8-32 X 1/4" Lgth	32
9	213214	Nut Pem 8-32 Pf-H	32
10	526050	Gasket, Magnetic Drawer 7.501" X 17.501"	4

RBD-60TC4-120 (TRI-CHANNEL) CONTROL PANEL



Item	Part No.	Description	Qty.
1	1075-2019K	Service, Assembly, Control Panel Rbd-60tc4-120	1
2	1075-0177K	Service, Control Panel, Removable W/Bushings & Pem Studs	1
3	213004	Nut Hex 6-32	2
4	115330	Relay, Dpdt, 40a, 120vac Coil	1
5	1075-0175K	Service, Relay Bracket W/Pem Studs	1
6	154458	Nut Hex 8-32 Hz-T Keeps	6
7	222101	Bushing, Heyco 1280 Strain Relief	5
8	212002	Bushing, Heyco 1237	1
9	529112	Label Rbd Control	1
10	160406	Switch, Dpst 20a 125v	1
11	224409-TK	Service, Custom Programmed Control Rbdtc	1
12	522290	Switch, Dpst 20a 125v	1
NS	522429	Cord, Power, 15a 125v W/Term.	1
NS	ELC0255	Harness, Evap Fans	1
NS	ELC0256	Abrasive Flex Tubing	1
NS	ELC0303	Harn – Cntl Box To Compressor	1
NS	ELC0304	Harn – Cntl Box To Dual Pres. Sw	1
NS	ELC0305	Harn – Cntl Box To Top Refig. Valve	1
NS	ELC0306	Harn – Cntl Box To Bottom Refig. Valve	1
NS	ELC0308	Harn – Cntl Box, Duplex Trichannel	1

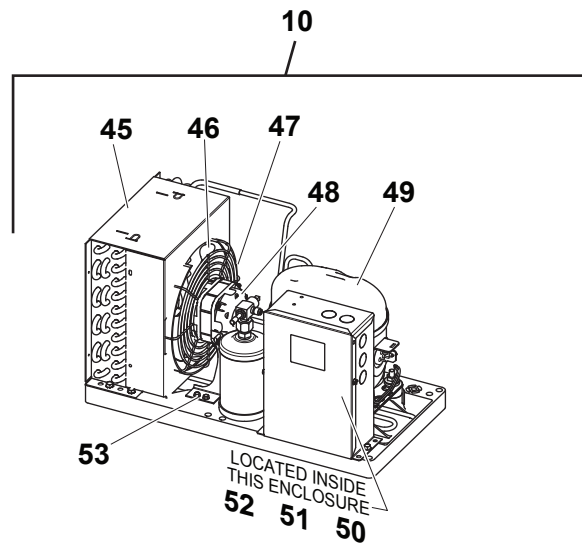
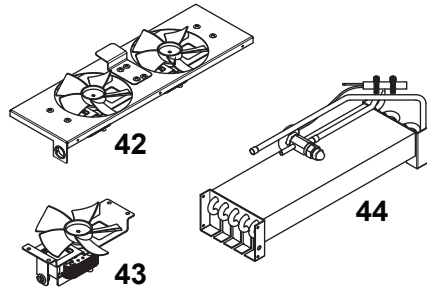
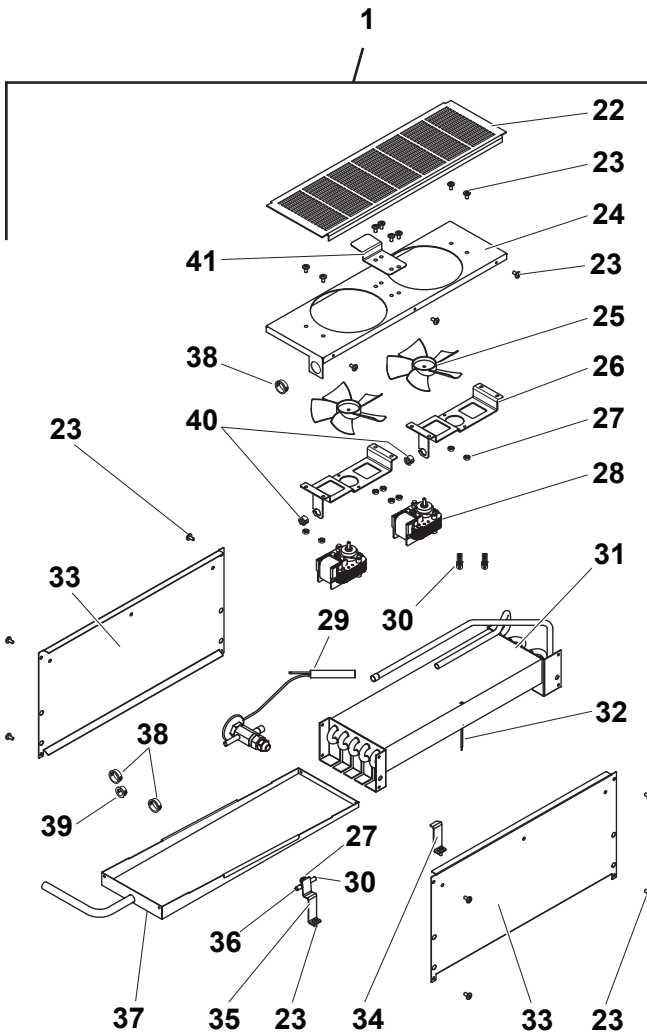
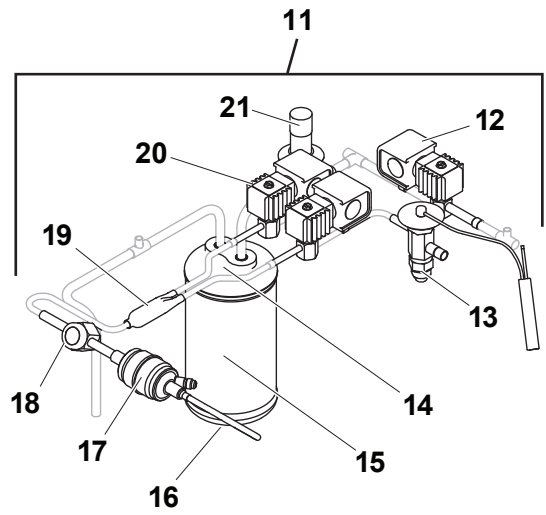
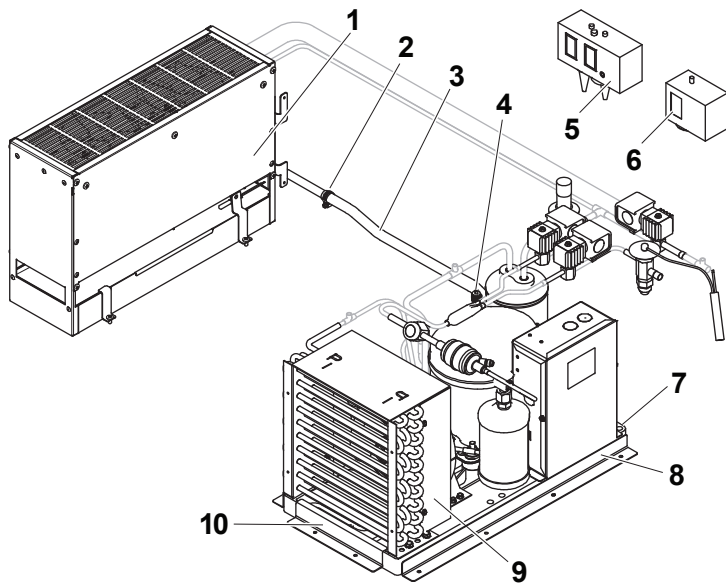
RBD-60CP4D-120 & RBD-60CP4-120 (COLD PAN)



RBD-60CP4D-120 & RBD-60CP4-120 (COLD PAN)

Item	PART NO.	DESCRIPTION	QTY.	
			RBD-60CP4D-120	RBD-60CP4-120
1	1075-2015K	Service, Assembly, RBD-60-CP4 Top	1	
2	1075-2005K	Service, Assembly, Acrylic Cover	2	
3	213127	Nut, Acorn 10-24 1/4 Deep	14	
4	223961	Screw, Ss Lid Cover	8	
5	223825	Pin, Hinge Lid/Cover Bracket	8	
6	214728	Position Stud Ss 7/16" Carving Board	2	
7	525006	Carving Board, 1/2" X 7" X 60" Richlite	1	
8	213197	Washer, .625 Od X .281 Id .050 Thick, Ss	2	
9	213042	Nut Hex 1/4-20 Serrated	2	
10	213360	Screw, 10-24x3/8 Ptms Ss W/Nylok Patch	21	
11	1068-0054K	Service Assembly, Cold Pan Foamed Body, N7m6, 4 Sec 10" Deep	1	
	1068-0014K	Service Assembly, Cold Pan Foamed Body, N7m6, 4 Sec 8" Deep		1
12	1075-2008K	Service, Cold Pan Drain Assembly	1	
13	213957	Grommet - Round 1-7/8" Black #6727-014	1	
14	1075-0134	Service Panel	1	
15	1075-0130	Condensing Coil Shroud	1	
16	1075-0131	Condensing Coil Shroud Top	1	
17	215002	Caster, 3"Dia Swivel W/Brake 4" Load Height	6	
18	213023	Screw, 1/4-20x1/2" Trd Frm	24	
19	214644	Latch, Magnetic 918 Alum	4	
20	1075-0142	Perforated Access Panel	1	
21	1075-2020K	Service, Assembly, Control Panel Rbd-60cp4d-120	1	
	1075-2021K	Service, Assembly, Control Panel Rbd-60cp4-120		1
22	222047	Bushing, Heyco #2400	2	

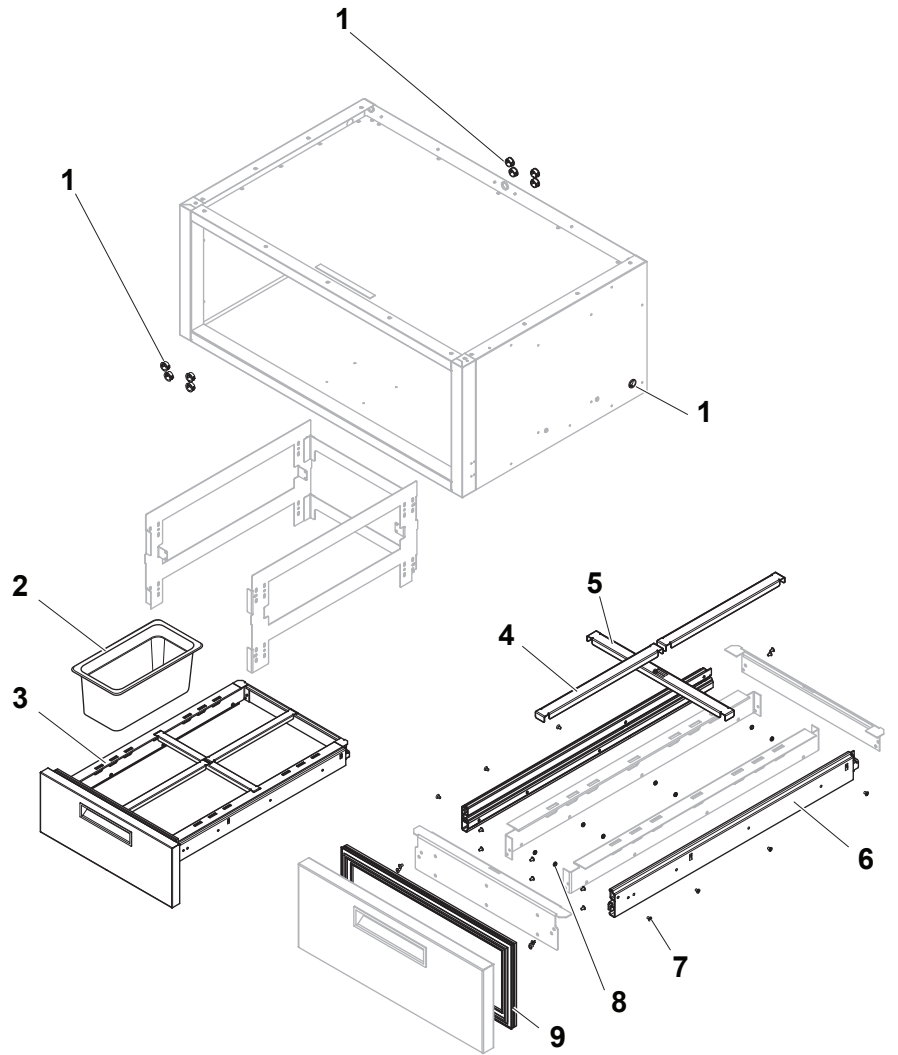
RBD-60CP COLD PAN REFRIGERATION ASSEMBLY



RBD-60CP COLD PAN REFRIGERATION ASSEMBLY

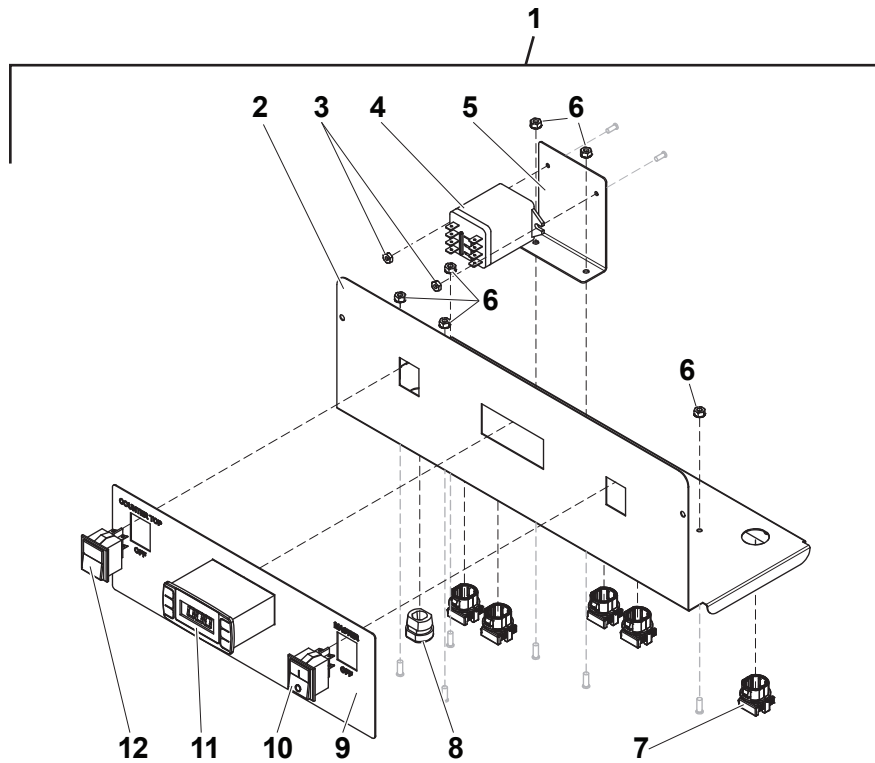
Item	Part No.	Description	Qty.
1	1075-2009K	Service, Assembly, Mullion Evap Box	1
2	213450	Clamp, Hose Worm Gear	1
3	1075-0158K	Service, Drain Tube Hose	1
4	216547	Valve 1/4" Schrader	1
5	524805-1K	Service, Assembly, Rbd-60cp Control W/Settings, Dual Press	1
6	216888-1K	Service, Assembly, Rbd-60cp Pressure Control W/Settings	1
7	1075-0123	Condensing Unit Back Angle	1
8	1075-0122	Condensing Unit Side Guide Angles	2
9	226749	Unit, Condensing 115v 60hz 2180btu/Hr Ae2425z-Aa3cec	1
10	1075-0121	Condensing Unit Hold Down Angle	1
11	1075-2017K	Service, Assembly, Cold Pan Condensing Unit Manifold	1
12	1075-2018	Asm, Solenoid Valve And Coil	1
13	526312-1K	Service, Valve, Sporlan Frv-1/5-C 1/4" X 3/8"	1
14	226117	Accumulator, Sporlan 3" Dia. 3/8" Fittings 1bs	1
15	526805	Insulation, Accumulator	1
16	213041	Nut Hex 10-24 Serrated	1
17	226039	Drier, Filter	1
18	216415	Sight Glass, 1/4" Odf Solder	1
19	226832	Distributor	1
20	216553	Solenoid, Refrig W/Coil 120v	2
21	226045-1K	Valve, Sporlan Cro-4-07/75 3x3 Odf W/ Settings	1
22	1075-0043	Discharge Plate	1
23	213360	Screw 10-24 X 3/8 Phil	23
24	1075-0082	Fan Base, Mullion Evap Box	1
25	226748	5" Diam, 5 Blade, 3/16" Bore, Cw	2
26	1075-0081	Fan Bracket With Offset	2
27	213322	Nut Hex 10-24 Hz-T Keps	9
28	226746	Motor, Fan, 120v 60hz 0.73a	2
29	526311-1K	Valve, Txv Sporlan Efd-1/10-C 1/4"X3/8"	1
30	213450	Clamp, Hose Worm Gear	2
31	526602	Coil, Evap. Luvata #133207402 (2row)	1
32	526012	Probe, 2.5 Meter Ntc Probe (501-7071)	2
33	1075-0152	Side Panels, Mullion Evap Box	2
34	1075-0155	Hold Down, Mullion Evap Box	3
35	1075-0156	Hold Down, W/Probe Flange	1
36	115412	Clamp, Cable Nylon	1
37	1075-2023K	Service, Drain Pan Assembly	1
38	212911	Bushing, Heyco B-875-750	3
39	213335	Bushing, Heyco Sb-625-8	1
40	175512	Bushing, Heyco,Open,1/2"	2
41	1075-0125	Discharge Grate Support	1
42	1075-0180K	Service, Assembly, Dual Fan W/Blades And Brackets	1
43	1075-0179K	Service, Assembly, Single Fan W/Blade And Bracket	A/R
44	1075-0178K	Service Assembly, Coil Evaporator And Txv Valve	1
45	527113	Service, Condenser Coil (Ref-226749 Cond Unit)	1
46	527118	Service, Condenser Fan Blade (Ref-226749 Cond Unit)	1
47	527119	Service, Condenser Fan Schroud (Ref-226749 Cond Unit)	1
48	527117	Service, Condenser Fan Motor (Ref-226749 Cond Unit)	1
49	527112	Service, Compressor (Ref-226749 Cond Unit)	1
50	527115	Service, Run Capacitor (Ref-226749 Cond Unit)	1
51	527116	Service, Relay (Ref-226749 Cond Unit)	1
52	527114	Service, Start Capacitor (Ref-226749 Cond Unit)	1

RBD-60CP COLD PAN DRAWER ASSEMBLY



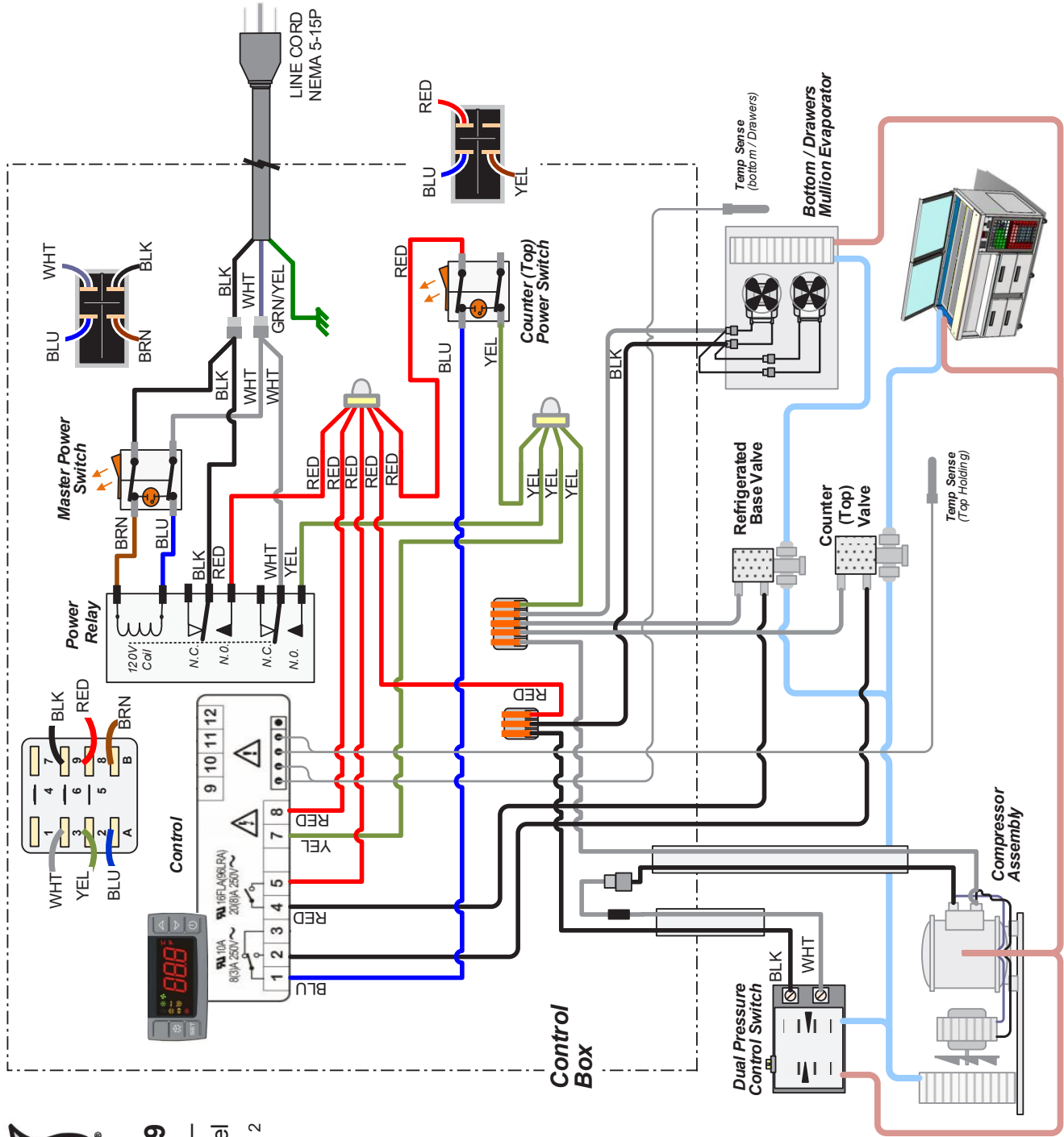
Item	Part No.	Description	Qty.
1	212911	Bushing,7/8" Heyco 2850	11
2	217633	Pan, 1/3 6" Dp Black	A/R
3	1075-2022K	Service Assembly, Single Drawer Assembly	A/R
4	1075-0055	Pan Support	8
5	1075-0054	Pan Support	4
6	211602	Slide, Drawer	4
7	223362	Screw, Ms Ss Phillips Flat Hd. 8-32 X 1/4" Lgth	32
8	213214	Nut Pem 8-32 Pf-H	32
9	526050	Gasket, Magnetic Drawer 7.501" X 17.501"	4

RBD-60CP COLD PAN CONTROL PANEL



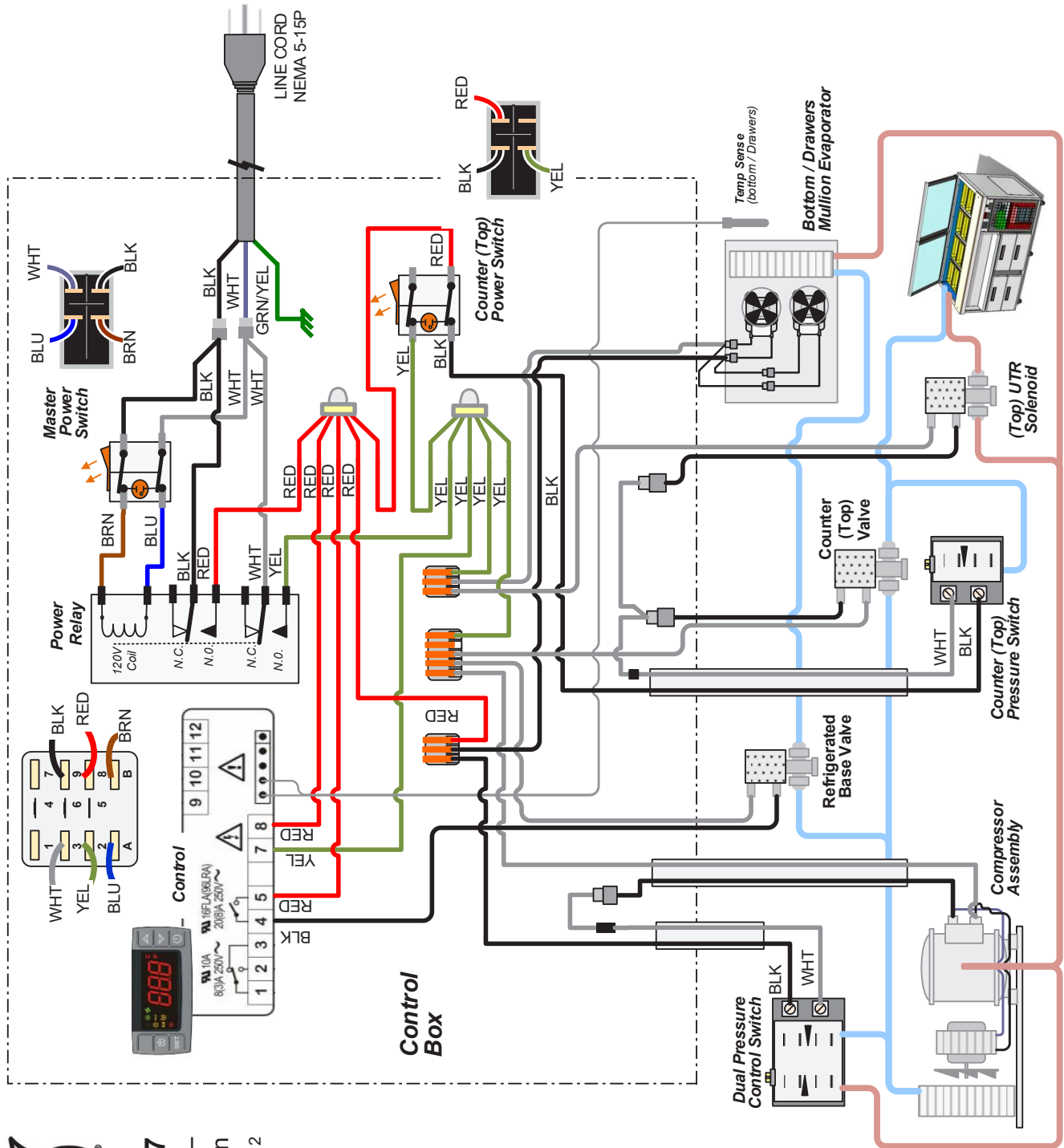
Item	Part No.	Description	Qty.	
			RBD-60CP4D-120	RBD-60CP4-120
1	1075-2020K	Service, Assembly, Control Panel Rbd-60cp4d-120	1	
	1075-2021K	Service, Assembly, Control Panel Rbd-60cp4-120		1
2	1075-0177K	Service, Control Panel, Removable W/Bushings & Pem Studs		1
3	213004	Nut Hex 6-32		2
4	115330	Relay, Dpdt, 40a, 120vac Coil		1
5	1075-0175K	Service, Relay Bracket W/Pem Studs		1
6	154458	Nut Hex 8-32 Hz-T Keps		6
7	222101	Bushing, Heyco 1280 Strain Relief		5
8	212002	Bushing, Heyco 1237		1
9	529112	Label Rbd Control		1
10	160406	Switch, Dpst 20a 125v		1
11	224409-CK	Service, Custom Programmed Control Rbdcp		1
12	522290	Switch, Dpst 20a 125v		1
NS	522429	Cord, Power, 15a 125v W/Term.		1
NS	ELC0255	Harness, Evap Fans		1
NS	ELC0256	Abrasive Flex Tubing		1
NS	ELC0301	Harn - Cntl Box, Duplex		1
NS	ELC0302	Harn - Cntl Box To Top Pres. Sw		1
NS	ELC0303	Harn - Cntl Box To Compressor		1
NS	ELC0304	Harn - Cntl Box To Dual Pres. Sw		1
NS	ELC0305	Harn - Cntl Box To Top Refig. Valve		2
NS	ELC0306	Harn - Cntl Box To Bottom Refig. Valve		1

WIRING DIAGRAM - DUPLEX TRI-CHANNEL



ELC0249
Wire Diagram –
Duplex TriChannel
6/28/18 Rev. 2

WIRING DIAGRAM – COLD PAN



ELC0307
Wire Diagram –
Duplex Cold Pan
6/28/18 Rev. 2



Notes



Notes



Your Solutions Partner

Duke Manufacturing Company

**2305 N. BROADWAY
ST. LOUIS, MO 63102
PHONE: 314-231-1130
TOLL FREE: 1-800-735-3853
FAX: 314-231-5074
WWW.DUKEMFG.COM**