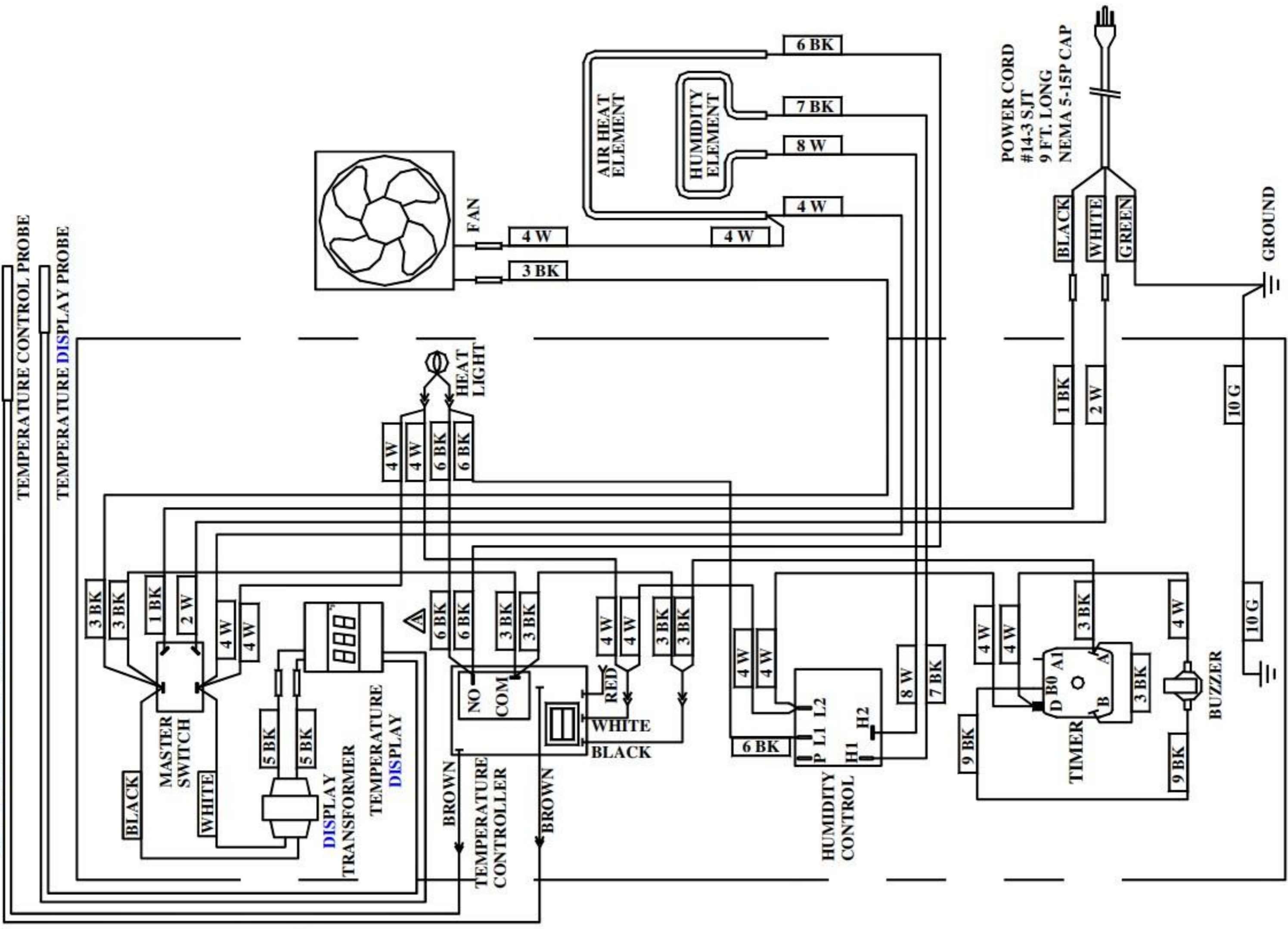


SCHEMATIC DIAGRAM FOR MODELS PFB-1 & PFB-2 PROOFER
120 VAC 1 PH. 60 HZ.



CONTROL PANEL

PART NO. 502724