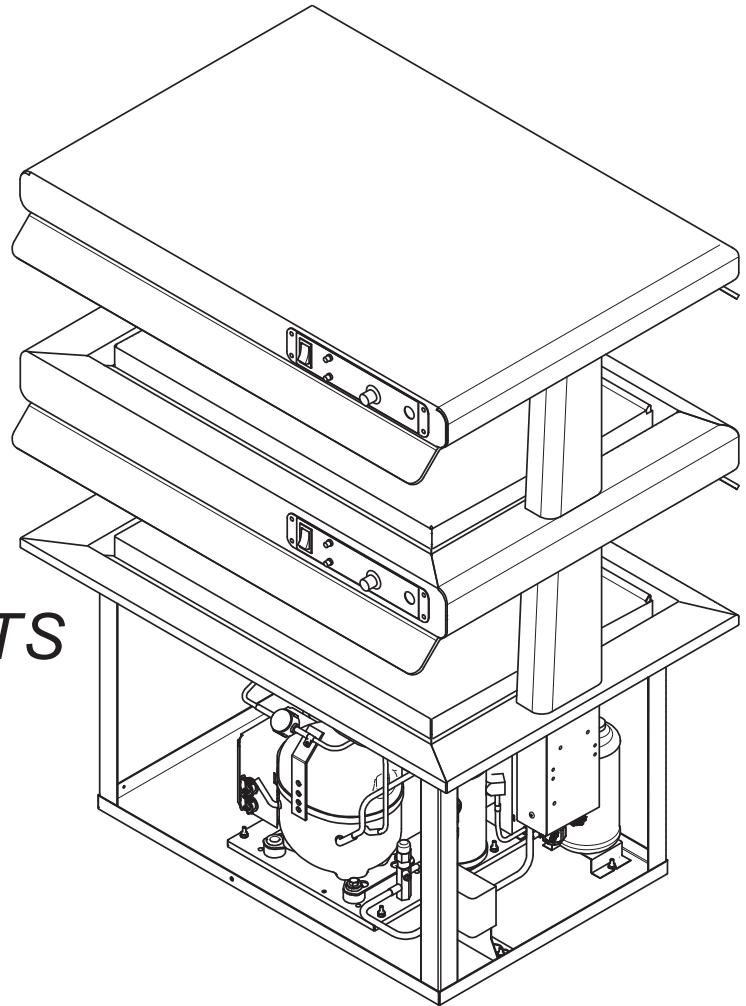


Illustrated Parts List



Your Solutions Partner



HOT FROST UNITS

MODELS

HF35-2
HF48-2
HF50-2
HF64-2
HF91-2

*This manual is Copyright © 2021 Duke Manufacturing Co. All rights reserved.
Reproduction without written permission is prohibited. Duke is a registered
trademark of the Duke Manufacturing Co.*

Duke Manufacturing Co.

2305 N. Broadway • St. Louis, MO 63102

800.735.3853 • 314.231.1130

Fax: 314-231-5074

www.dukemfg.com

MODEL NUMBER CONVENTION

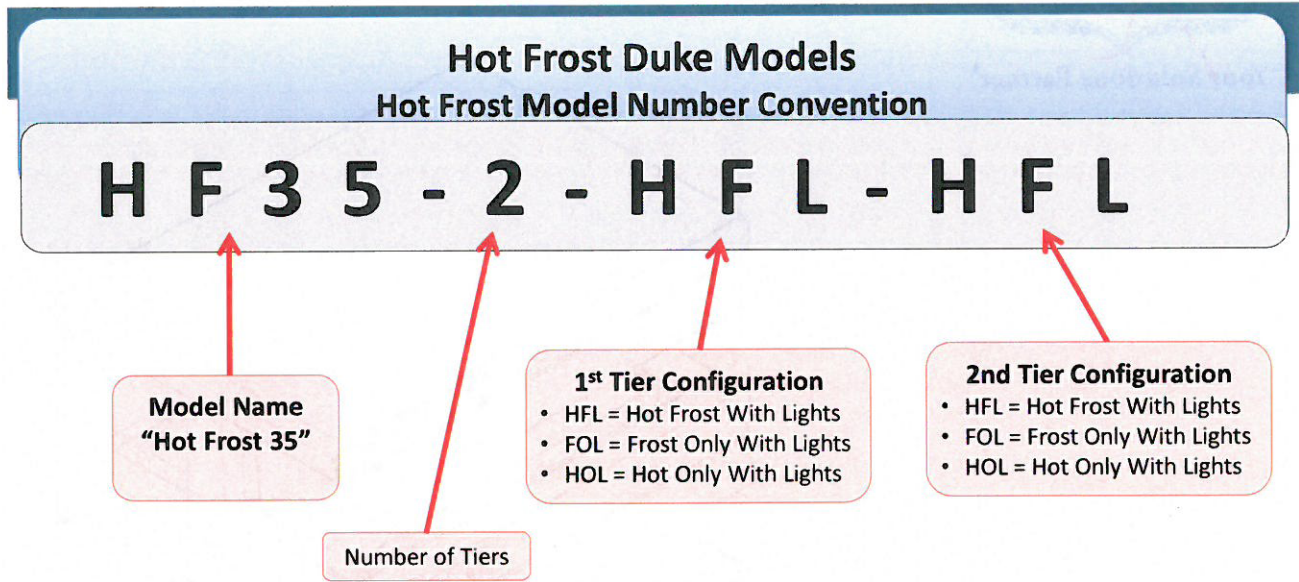
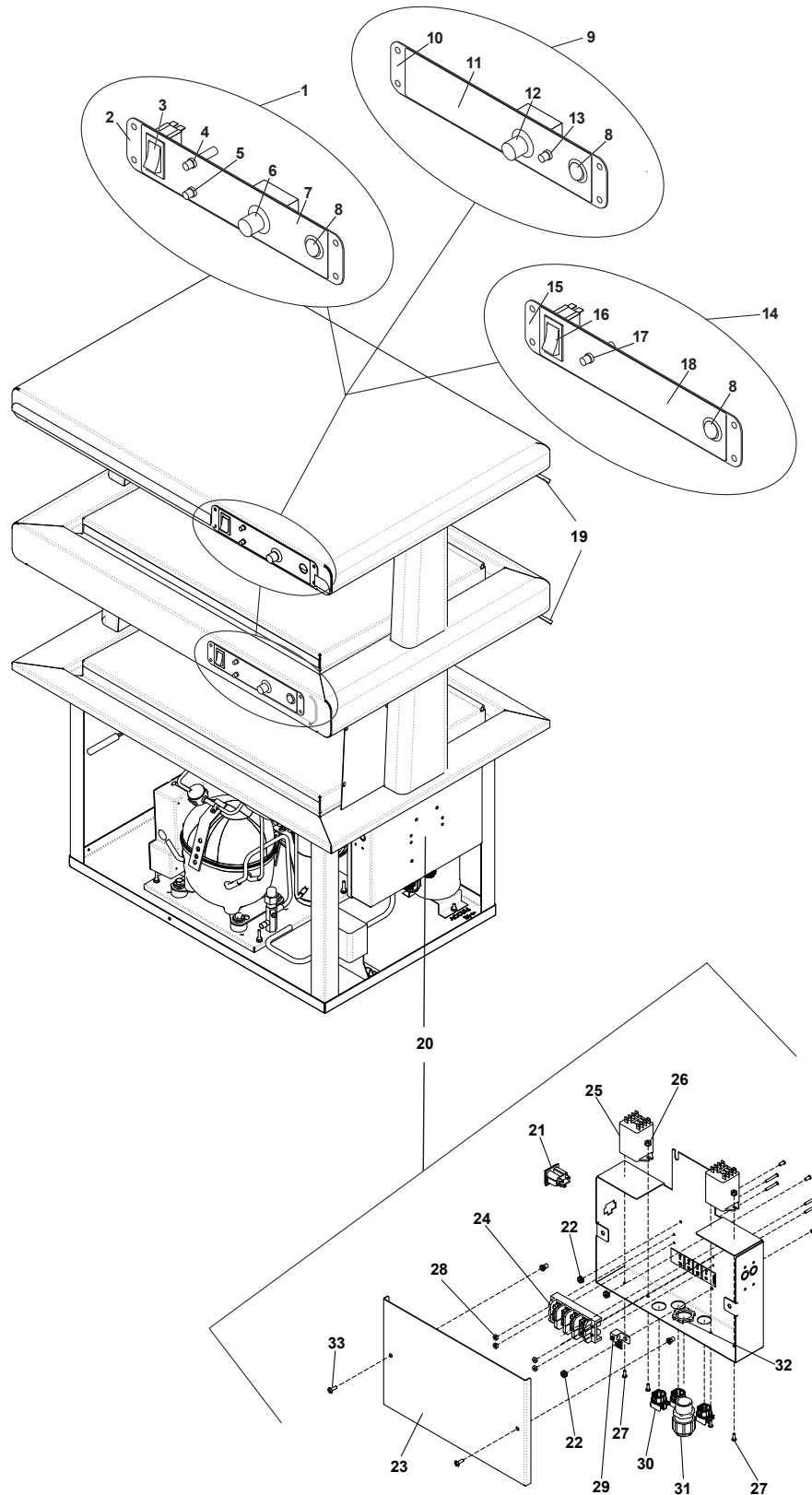


TABLE OF CONTENTS

MODEL NUMBER CONVENTION	2
MODEL HF35-2 HOT FROST UNITS	4-5
MODEL HF48-2 HOT FROST UNITS	6-7
MODEL HF50-2 HOT FROST UNITS	8-9
MODEL HF64-2 HOT FROST UNITS	10-11
MODEL HF91-2 HOT FROST UNITS	12-13
DISPLAY LIGHTS.....	14
REFRIGERATION ASSEMBLY	15-16
HOT FROST WIRING DIAGRAM – 35", 48", 50" & 64" HFL MODELS	17
HOT FROST WIRING DIAGRAM – 35", 48" & 50" HOL MODELS.....	18
HOT FROST WIRING DIAGRAM – 35", 48", 50" & 64" FOL MODELS	19
HOT FROST WIRING DIAGRAM – 91" HFL & FOL MODELS	20

MODEL HF35-2 HOT FROST UNITS

(HFL = Hot Frost Lights , HOL = Hot Only Lights, FOL = Frost Only Lights)



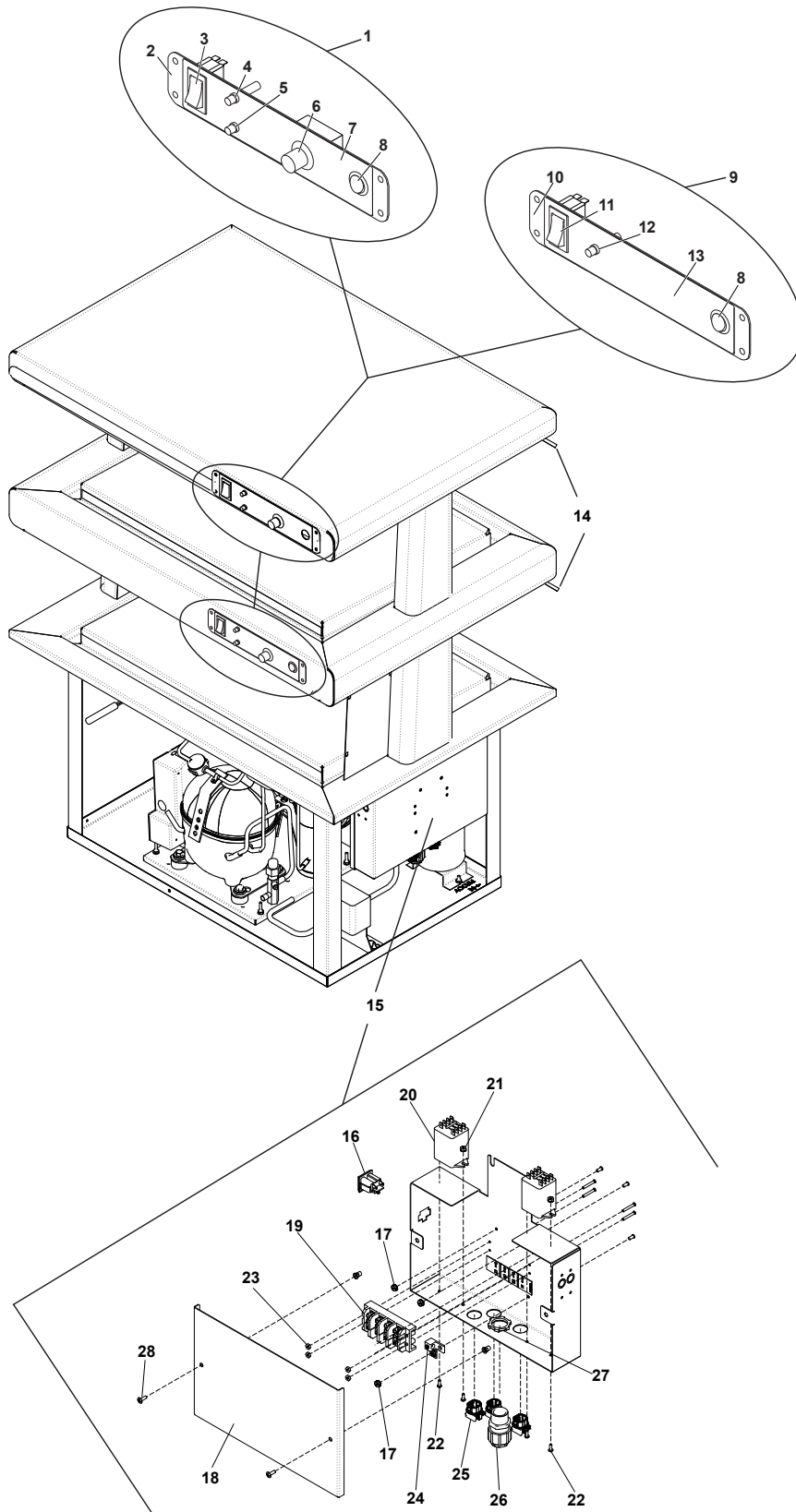
MODEL HF35-2 HOT FROST UNITS

(HFL = Hot Frost Lights , HOL = Hot Only Lights, FOL = Frost Only Lights)

ITEM	PART NO.	DESCRIPTION	HF35-2-HFL-HFL	HF35-2-HOL-HOL	HF35-2-FOL-FOL
1	114328K	SERVICE ASSEMBLY, CONTROL HFL	2		
2	114170	CONTROL PANEL COVER, HFL	1		
3	114057	THREE POSITION SWITCH	1		
4	114060	HEAT LAMP INDICATOR LIGHT (Amber)	1		
5	114061	COMPRESSOR INDICATOR LIGHT (Green)	1		
6	114059	HEAT LAMP, INFINITE CONTROL	1		
7	114092	OVERLAY-HFL	1		
8	114058	LED SWITCH	1		
9	114329K	SERVICE ASSEMBLY, CONTROL HOL		2	
10	114172	CONTROL PANEL COVER, HOL		1	
11	114093	OVERLAY-HOL		1	
12	114059	HEAT LAMP, INFINITE CONTROL		1	
13	114060	HEAT LAMP INDICATOR LIGHT (Amber)		1	
8	114058	LED SWITCH		1	
14	114330K	SERVICE ASSEMBLY, CONTROL FOL			2
15	114171	CONTROL PANEL COVER, FOL			1
16	114050	TWO POSITION SWITCH			1
17	114061	COMPRESSOR INDICATOR LIGHT (Green)			1
18	114094	OVERLAY-FOL			1
8	114058	LED SWITCH			1
19	114198	SNEEZEGUARD-35	2	2	2
Not shown	279500	SCREW, 8-32 x 1/2" PTHMS 18-8SS	60	60	60
Not shown	114052	HEAT LAMP, GRN-24, 208V	2	2	
Not shown	114053	HEAT LAMP, GRN-30, 208V	2	2	
20	114350K	SERVICE ASSEMBLY, ELECTRICAL ENCLOSURE, HFL-HFL	1		
	114373K	SERVICE ASSEMBLY, ELECTRICAL ENCLOSURE, HOL-HOL		1	
	114378K	SERVICE ASSEMBLY, ELECTRICAL ENCLOSURE, FOL-FOL			1
21	118434	AC CONNECTION RECEPTACLE	1	1	1
22	155680	NUT, KEPS 8-32 HEX ZP	3	3	3
23	114531	ENCLOSURE PANEL, FRONT (Shown)	1		1
	114326	ENCLOSURE PANEL, FRONT (Old Style-Not Shown)		1	
24	120001	BLOCK, TERMINAL 4 POLE	1	1	1
25	115330	RELAY, DPDT, 40A 120VAC COIL	2		2
26	653035	NUT, HEX 6-32 HZ-T KEPS	4		4
27	160814	SCREW, 6-32 x 3/8" PN PH SS	4		4
28	555358	NUT, 6-32 HEX ZINC PLATED NYLON INSERT LOCKNUT	4	4	4
29	983385	LUG, GROUND ILSKO TA-2 (Removed from FOL units, Ref-ELC0156 Power Cord)	1	1	
30	222101	BUSHING, HEYCO 1280 STRAIN RELIEF	3	3	3
31	115357	CONNECTOR, 3/4" LIQUIDTIGHT	1	1	1
32	167568	LOCKNUT, CONDUIT 3/4"	1	1	1
33	279500	SCREW, 8-32 x 1/2" PTHMS, 18-8SS	2	2	2
Not Shown	ELC0125	HARNESS, HEAT POWER, HOT FROST (Older 404A HFL units, & HOL units)	2	2	
Not Shown	ELC0126	HARNESS, TB TO LIGHT OUTLET	1	1	1
Not Shown	ELC0127	HARNESS-SELF FROST (Older 404A, HFL & FOL units)	2		2
Not Shown	ELC0128	HARNESS-POWER TO REFRIG. VALVE	2		2
Not Shown	ELC0129	Harness-Refrigeration Pressure Switch (Older 404A HFL & FOL units)	1		1
Not Shown	ELC0130	HARNESS-HEAT + FROST CONTROL (Older 404A HFL units, & HOL units)	2	2	
Not Shown	ELC0300	POWER CORD 15A			1
	ELC0156	POWER CORD, MOLDED, NEMA L14-20P (Replaced by ELC0300 in FOL units)	1	1	1
Not Shown	ELC0418	MAIN HARNESS, HFL & FOL	1		1
Not Shown	ELC0419	CONTROL HARNESS, HFL	2		
Not Shown	ELC0420	CONTROL HARNESS, FOL			2
Not Shown	ELC0424	COMP. INTERLOCK HARNESS, HFL & FOL	1		1
Not Shown	ELC0430	PRESSURE SWITCH HARNESS, HFL & FOL	1		1
Not Shown	ELC0431	COMPRESSOR HARNESS, HFL & FOL	1		1
Not Shown	ELC0432	SHORT JUNCTION BOX HARNESS, HFL & FOL	1		1

MODEL HF48-2 HOT FROST UNITS

(HFL = Hot Frost Lights, FOL = Frost Only Lights)

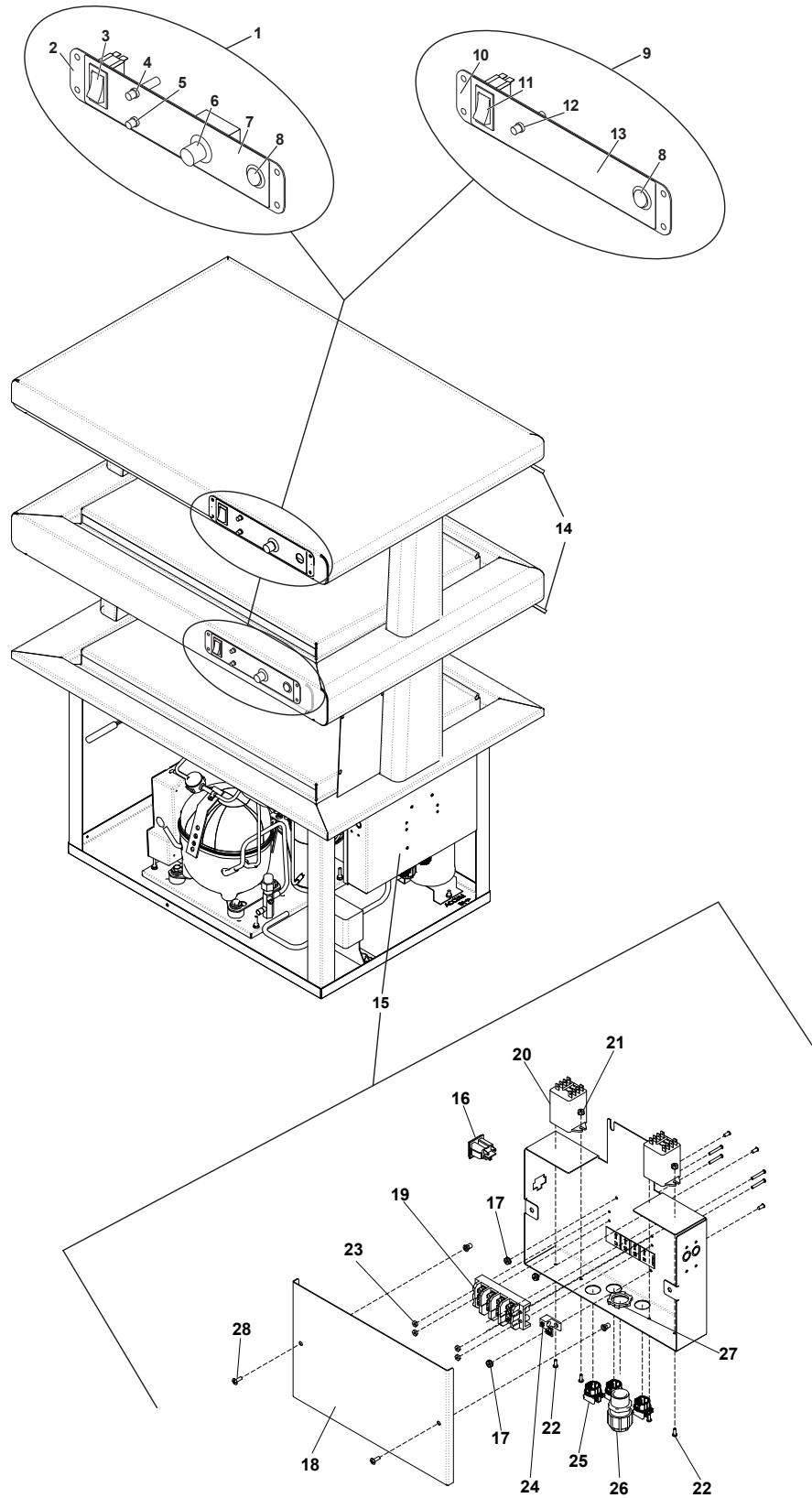


MODEL HF48-2 HOT FROST UNITS*(HFL = Hot Frost Lights, FOL = Frost Only Lights)*

ITEM	PART NO.	DESCRIPTION	HF48-2-HFL-HFL	HF48-2-FOL-FOL
1	114328K	SERVICE ASSEMBLY, CONTROL HFL	2	
2	114170	CONTROL PANEL COVER, HFL	1	
3	114057	THREE POSITION SWITCH	1	
4	114060	HEAT LAMP INDICATOR LIGHT (Amber)	1	
5	114061	COMPRESSOR INDICATOR LIGHT (Green)	1	
6	114059	HEAT LAMP, INFINITE CONTROL	1	
7	114092	OVERLAY-HFL	1	
8	114058	LED SWITCH	1	
9	114330K	SERVICE ASSEMBLY, CONTROL FOL		2
10	114171	CONTROL PANEL COVER, FOL		1
11	114050	TWO POSITION SWITCH		1
12	114061	COMPRESSOR INDICATOR LIGHT (Green)		1
13	114094	OVERLAY-FOL		1
8	114058	LED SWITCH		1
14	114202	SNEEZEGUARD-48	2	2
Not shown	279500	SCREW, 8-32 x 1/2" PTHMS 18-8SS	76	76
Not shown	114054	HEAT LAMP, GRN-36, 208V	2	
Not shown	114055	HEAT LAMP, GRN-42, 208V	2	
15	114350K	SERVICE ASSEMBLY, ELECTRICAL ENCLOSURE, HFL-HFL	1	
	114378K	SERVICE ASSEMBLY, ELECTRICAL ENCLOSURE, FOL-FOL		1
16	118434	AC CONNECTION RECEPTACLE	1	1
17	155680	NUT, KEPS 8-32 HEX ZP	3	3
18	114531	ENCLOSURE PANEL, FRONT	1	1
19	120001	BLOCK, TERMINAL 4 POLE	1	1
20	115330	RELAY, DPDT, 40A 120VAC COIL	2	2
21	653035	NUT, HEX 6-32 HZ-TKEPS	4	4
22	160814	SCREW, 6-32 x 3/8" PN PH SS	4	4
23	555358	NUT, 6-32 HEX ZINC PLATED NYLON INSERT LOCKNUT	4	4
24	983385	LUG, GROUND ILSCO TA-2 <i>(Removed from FOL units, Ref-ELC0156 Power Cord)</i>	1	
25	222101	BUSHING, HEYCO 1280 STRAIN RELIEF	3	3
26	115357	CONNECTOR, 3/4" LIQUIDTIGHT	1	1
27	167568	LOCKNUT, CONDUIT 3/4"	1	1
28	279500	SCREW, 8-32 x 1/2" PTHMS, 18-8SS	2	2
Not shown	ELC0125	Harness, Heat Power, Hot Frost <i>(Older 404A HFL units, & HOL units)</i>	2	
Not shown	ELC0126	Harness, TB to Light Outlet	1	1
Not shown	ELC0127	Harness-Self Frost <i>(Older 404A, HFL & FOL units)</i>	2	2
Not shown	ELC0128	HARNNESS-POWER TO REFRIG. VALVE	2	2
Not shown	ELC0129	Harness-Refrigeration Pressure Switch <i>(Older 404A HFL & FOL units)</i>	1	1
Not shown	ELC0130	Harness-Heat + Frost Control <i>(Older 404A HFL units, & HOL units)</i>	2	
Not shown	ELC0300	Power Cord 15A		1
Not shown	ELC0156	Power Cord, MOlded, NEMA L14-20P <i>(Replaced by ELC0300 in FOL units)</i>	1	1
Not Shown	ELC0418	MAIN HARNESS, HFL & FOL	1	1
Not Shown	ELC0419	CONTROL HARNESS, HFL	2	
Not Shown	ELC0420	CONTROL HARNESS, FOL		2
Not Shown	ELC0424	COMP. INTERLOCK HARNESS, HFL & FOL	1	1
Not Shown	ELC0430	PRESSURE SWITCH HARNESS, HFL & FOL	1	1
Not Shown	ELC0431	COMPRESSOR HARNESS, HFL & FOL	1	1
Not Shown	ELC0432	SHORT JUNCTION BOX HARNESS, HFL & FOL	1	1

MODEL HF50-2 HOT FROST UNITS

(HFL = Hot Frost Lights, FOL = Frost Only Lights)



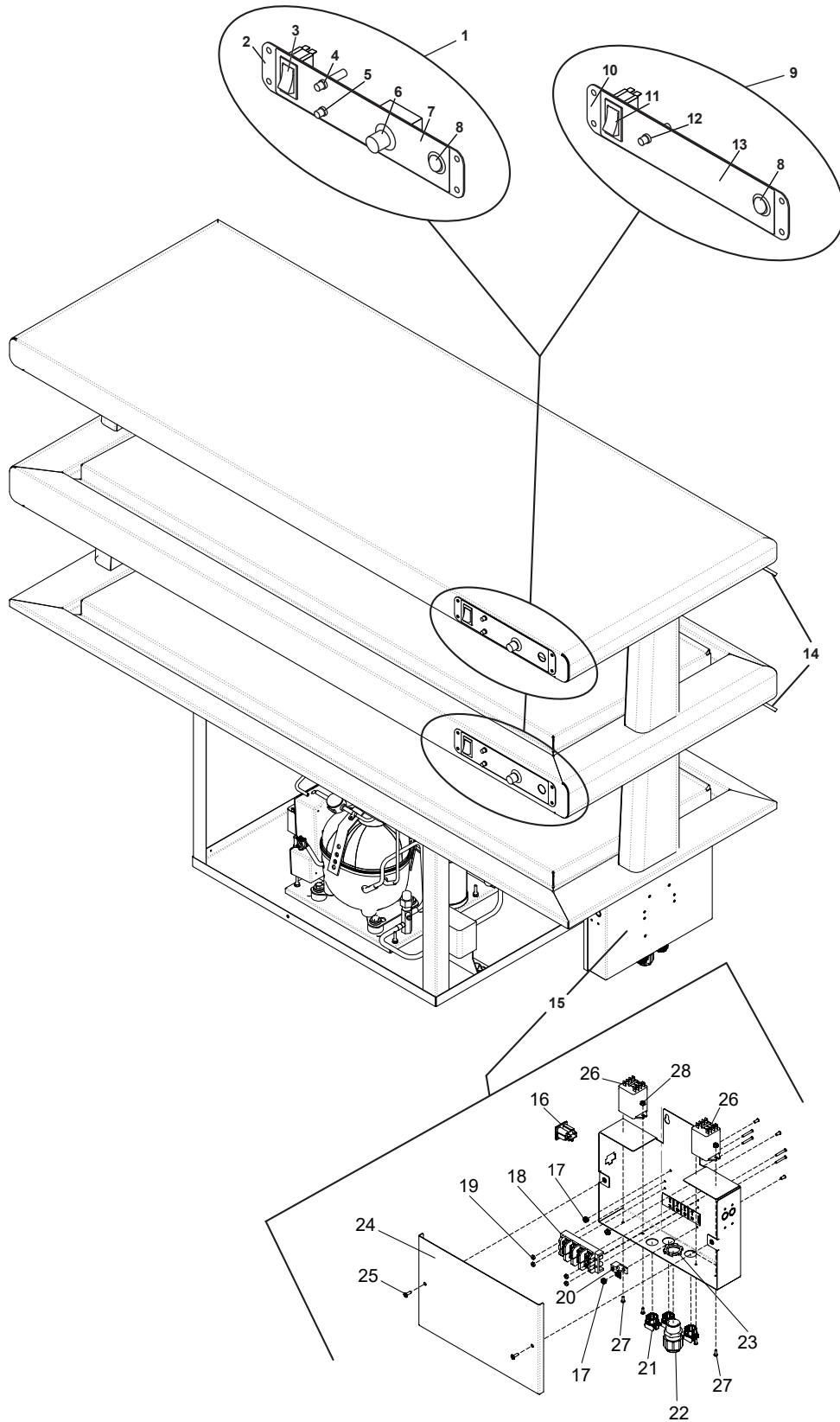
MODEL HF50-2 HOT FROST UNITS

(HFL = Hot Frost Lights, FOL = Frost Only Lights)

ITEM	PART NO.	DESCRIPTION	HF50-2-HFL-HFL	HF50-2-FOL-FOL
1	114328K	SERVICE ASSEMBLY, CONTROL HFL	2	
2	114170	CONTROL PANEL COVER, HFL	1	
3	114057	THREE POSITION SWITCH	1	
4	114060	HEAT LAMP INDICATOR LIGHT (Amber)	1	
5	114061	COMPRESSOR INDICATOR LIGHT (Green)	1	
6	114059	HEAT LAMP, INFINITE CONTROL	1	
7	114092	OVERLAY-HFL	1	
8	114058	LED SWITCH	1	
9	114330K	SERVICE ASSEMBLY, CONTROL FOL		2
10	114171	CONTROL PANEL COVER, FOL		1
11	114050	TWO POSITION SWITCH		1
12	114061	COMPRESSOR INDICATOR LIGHT (Green)		1
13	114094	OVERLAY-FOL		1
8	114058	LED SWITCH		1
14	114199	SNEEZEGUARD-50	2	2
Not Shown	279500	SCREW, 8-32 x 1/2" PTHMS 18-8SS	76	76
Not Shown	114055	HEAT LAMP, GRN-42, 208V	4	
15	114350K	SERVICE ASSEMBLY, ELECTRICAL ENCLOSURE, HFL-HFL	1	
	114378K	SERVICE ASSEMBLY, ELECTRICAL ENCLOSURE, FOL-FOL		1
16	118434	AC CONNECTION RECEPTACLE	1	1
17	155680	NUT, KEPS 8-32 HEX ZP	3	3
18	114531	ENCLOSURE PANEL, FRONT	1	1
19	120001	BLOCK, TERMINAL 4 POLE	1	1
20	115330	RELAY, DPDT, 40A 120VAC COIL	2	2
21	653035	NUT, HEX 6-32 HZ-TKEPS	4	4
22	160814	SCREW, 6-32 x 3/8" PN PH SS	4	4
23	555358	NUT, 6-32 HEX ZINC PLATED NYLON INSERT LOCKNUT	4	4
24	983385	LUG, GROUND ILSCO TA-2 (Removed from FOL units, Ref-ELC0156 Power Cord)	1	
25	222101	BUSHING, HEYCO 1280 STRAIN RELIEF	3	3
26	115357	CONNECTOR, 3/4" LIQUID TIGHT	1	1
27	167568	LOCKNUT, CONDUIT 3/4"	1	1
28	279500	SCREW, 8-32 x 1/2" PTHMS, 18-8SS	2	2
Not Shown	ELC0125	Harness, Heat Power, Hot Frost (Older 404A HFL units, & HOL units)	2	
Not Shown	ELC0126	Harness, TB to Light Outlet	1	1
Not Shown	ELC0127	Harness-Self Frost (Older 404A, HFL & FOL units)	2	2
Not Shown	ELC0128	HARNES-POWER TO REFRIG. VALVE	2	2
Not Shown	ELC0129	Harness-Refrigeration Pressure Switch (Older 404A HFL & FOL units)	1	1
Not Shown	ELC0130	Harness-Heat + Frost Control (Older 404A HFL units, & HOL units)	2	
Not Shown	ELC0300	Power Cord 15A		1
Not Shown	ELC0156	Power Cord, MOlded, NEMA L14-20P (Replaced by ELC0300 in FOL units)	1	1
Not Shown	ELC0418	MAIN HARNESS, HFL & FOL	1	1
Not Shown	ELC0419	CONTROL HARNESS, HFL	2	
Not Shown	ELC0420	CONTROL HARNESS, FOL		2
Not Shown	ELC0424	COMP. INTERLOCK HARNESS, HFL & FOL	1	1
Not Shown	ELC0430	PRESSURE SWITCH HARNESS, HFL & FOL	1	1
Not Shown	ELC0431	COMPRESSOR HARNESS, HFL & FOL	1	1
Not Shown	ELC0432	SHORT JUNCTION BOX HARNESS, HFL & FOL	1	1

MODEL HF64-2 HOT FROST UNITS

(HFL = Hot Frost Lights, FOL = Frost Only Lights)

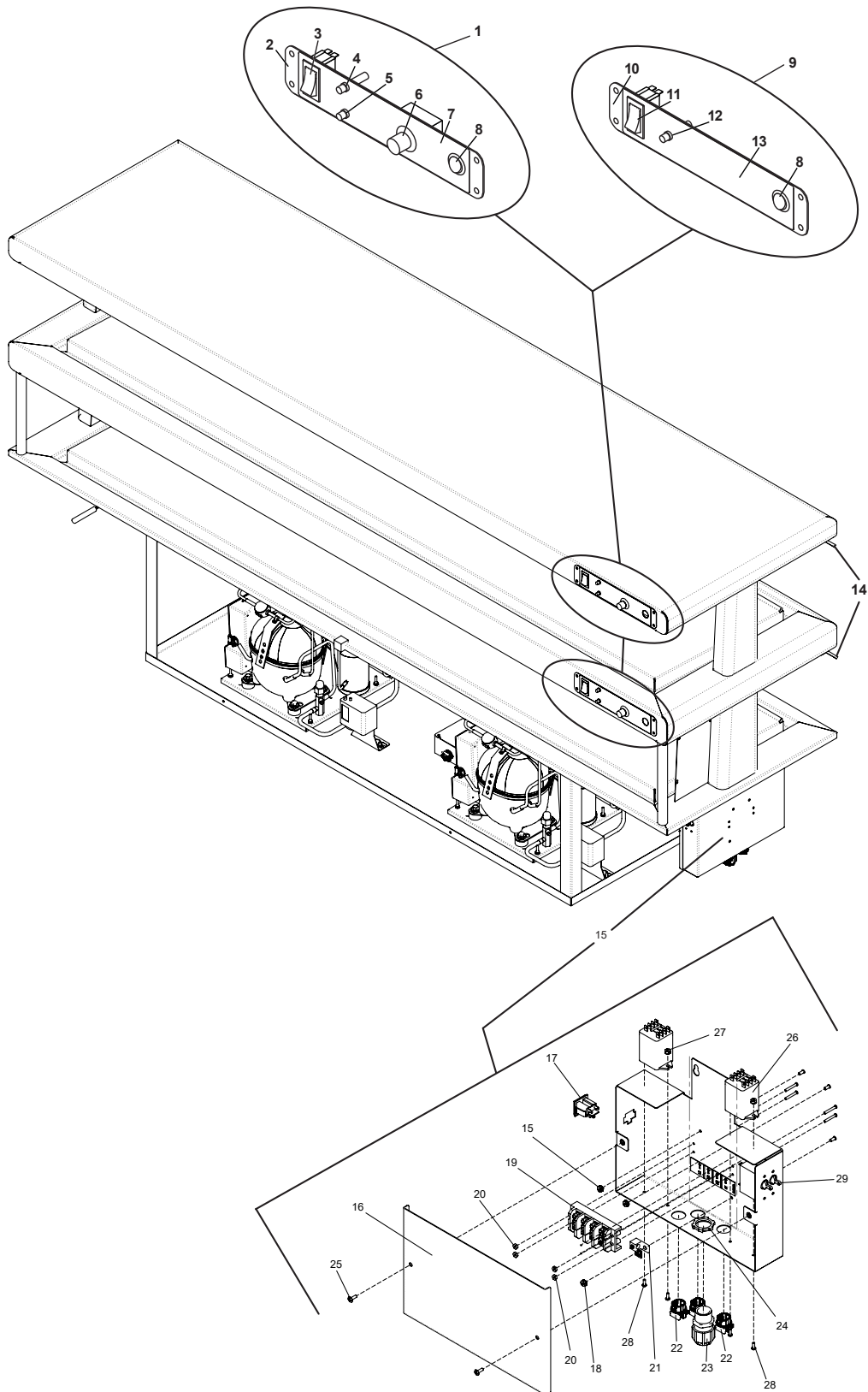


MODEL HF64-2 HOT FROST UNITS*(HFL = Hot Frost Lights, FOL = Frost Only Lights)*

ITEM	PART NO.	DESCRIPTION	HF64-2-HFL-HFL	HF64-2-FOL-FOL
1	114328K	SERVICE ASSEMBLY, CONTROL HFL	2	
2	114170	CONTROL PANEL COVER, HFL	1	
3	114057	THREE POSITION SWITCH	1	
4	114060	HEAT LAMP INDICATOR LIGHT (Amber)	1	
5	114061	COMPRESSOR INDICATOR LIGHT (Green)	1	
6	114059	HEAT LAMP, INFINITE CONTROL	1	
7	114092	OVERLAY-HFL	1	
8	114058	LED SWITCH	1	
9	114330K	SERVICE ASSEMBLY, CONTROL FOL		2
10	114171	CONTROL PANEL COVER, FOL		1
11	114050	TWO POSITION SWITCH		1
12	114061	COMPRESSOR INDICATOR LIGHT (Green)		1
13	114094	OVERLAY-FOL		1
8	114058	LED SWITCH		1
14	114200	SNEEZEGUARD-64.25	2	2
Not Shown	279500	SCREW, 8-32 x 1/2" PTHMS 18-8SS	74	74
Not Shown	114062	HEAT LAMP, 54, 208V	2	
Not Shown	114056	HEAT LAMP, 60, 208V	2	
15	114424K	SERVICE ASSEMBLY, ELECTRICAL ENCLOSURE, HFL-HFL	1	
	114522K	SERVICE ASSEMBLY, ELECTRICAL ENCLOSURE, FOL-FOL		1
	114378K	Service Assy, Elec. Encl. (Older FOL units, Replaced by 114522)		1
16	118434	AC CONNECTION RECEPTACLE	1	1
17	155680	NUT, KEPS 8-32 HEX ZP	3	3
18	120001	BLOCK, TERMINAL 4 POLE	1	1
19	555358	NUT, 6-32 HEX ZINC PLATED NYLON INSERT LOCKNUT	4	4
20	983385	LUG, GROUND ILSCO TA-2 (Removed from FOL units, Ref-ELC0156 Power Cord)	1	
21	222101	BUSHING, HEYCO 1280 STRAIN RELIEF	3	3
22	115357	CONNECTOR, 3/4" LIQUID TIGHT	1	1
23	167568	LOCKNUT, CONDUIT 3/4"	1	1
24	114531	ENCLOSURE PANEL, FRONT	1	1
25	279500	SCREW, 8-32 x 1/2" PTHMS, 18-8SS	2	2
26	115330	RELAY, DPDT, 40A, 120VAC COIL	2	2
27	160814	SCREW, 6-32 x 3/8" PN PH TF SS	4	4
28	653035	NUT, 6-32 KEP ZINC PLATED	4	4
Not Shown	ELC0125	Harness, Heat Power, Hot Frost (Older 404A HFL units, & HOL units)	2	
Not Shown	ELC0126	HARNES, TB TO LIGHT OUTLET	1	1
Not Shown	ELC0127	Harness-Self Frost (Older 404A, HFL & FOL units)	2	2
Not Shown	ELC0128	Harness-Power to Refrieration Valve (Older 404A FOL units, Ref-114378K)		2
Not Shown	ELC0129	Harness-Refrigeration Pressure Switch (Older 404A HFL & FOL units)	1	1
Not Shown	ELC0130	Harness-Heat + Frost Control (Older 404A HFL units, & HOL units)	2	
Not Shown	ELC0178	Power Cord, Molded, NEMA L14-20P	1	
Not Shown	ELC0300	Power Cord, 15A, 125V		1
Not Shown	ELC0156	Power Cord, Molded, NEMA L14-20P (Replaced by ELC0300 in FOL units)		1
Not Shown	ELC0219	JUMPER 64, 91 – Power to Refrig. Valve	2	
Not Shown	ELC0418	MAIN HARNES, HFL & FOL	1	1
Not Shown	ELC0419	CONTROL HARNES, HFL	2	
Not Shown	ELC0420	CONTROL HARNES, FOL		2
Not Shown	ELC0424	COMP. INTERLOCK HARNES, HFL & FOL	1	1
Not Shown	ELC0430	PRESSURE SWITCH HARNES, HFL & FOL	1	1
Not Shown	ELC0431	COMPRESSOR HARNES, HFL & FOL	1	1
Not Shown	ELC0432	SHORT JUNCTION BOX HARNES, HFL & FOL	1	1

MODEL HF91-2 HOT FROST UNITS

(HFL = Hot Frost Lights, FOL = Frost Only Lights)

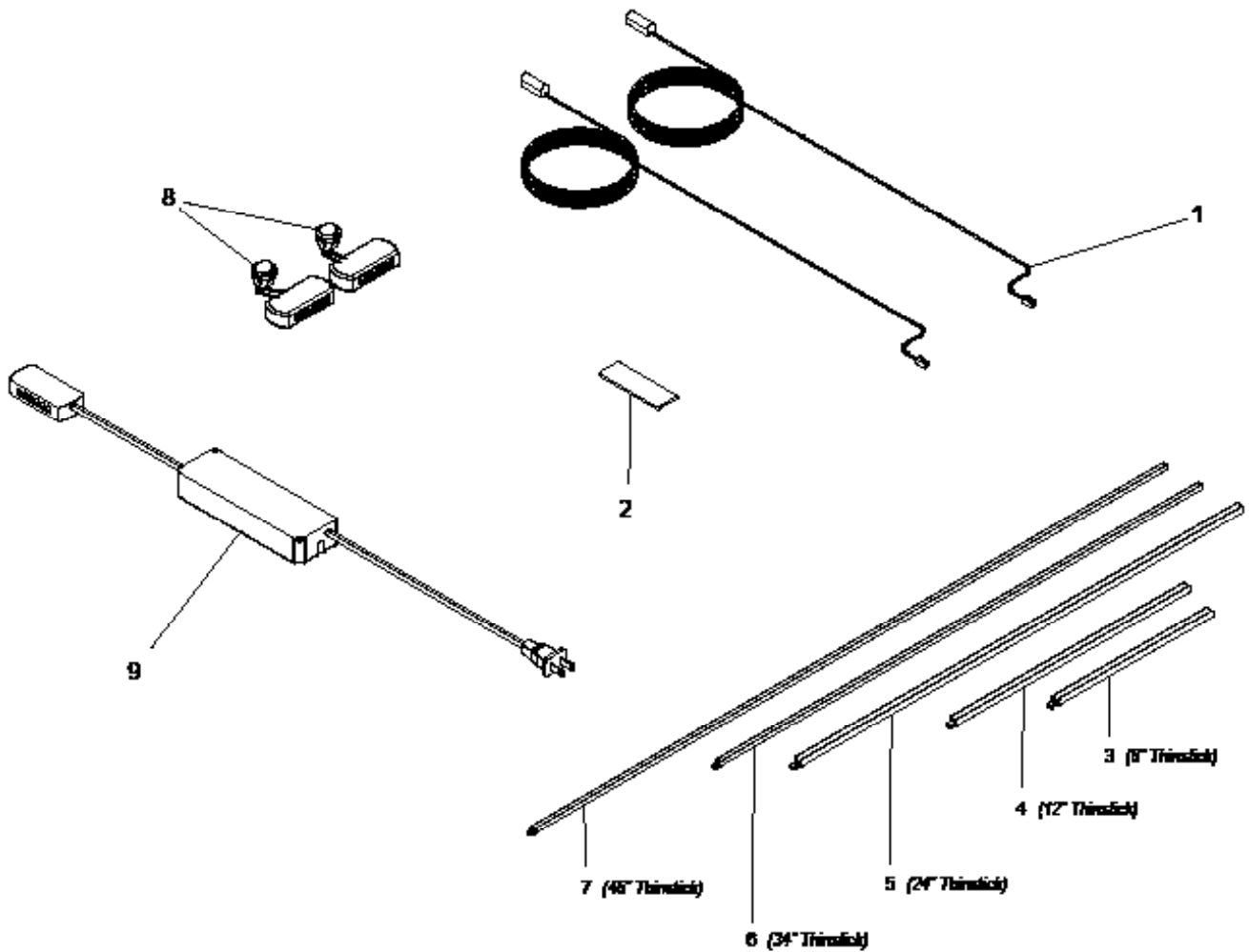


MODEL HF91-2 HOT FROST UNITS

(HFL = Hot Frost Lights, FOL = Frost Only Lights)

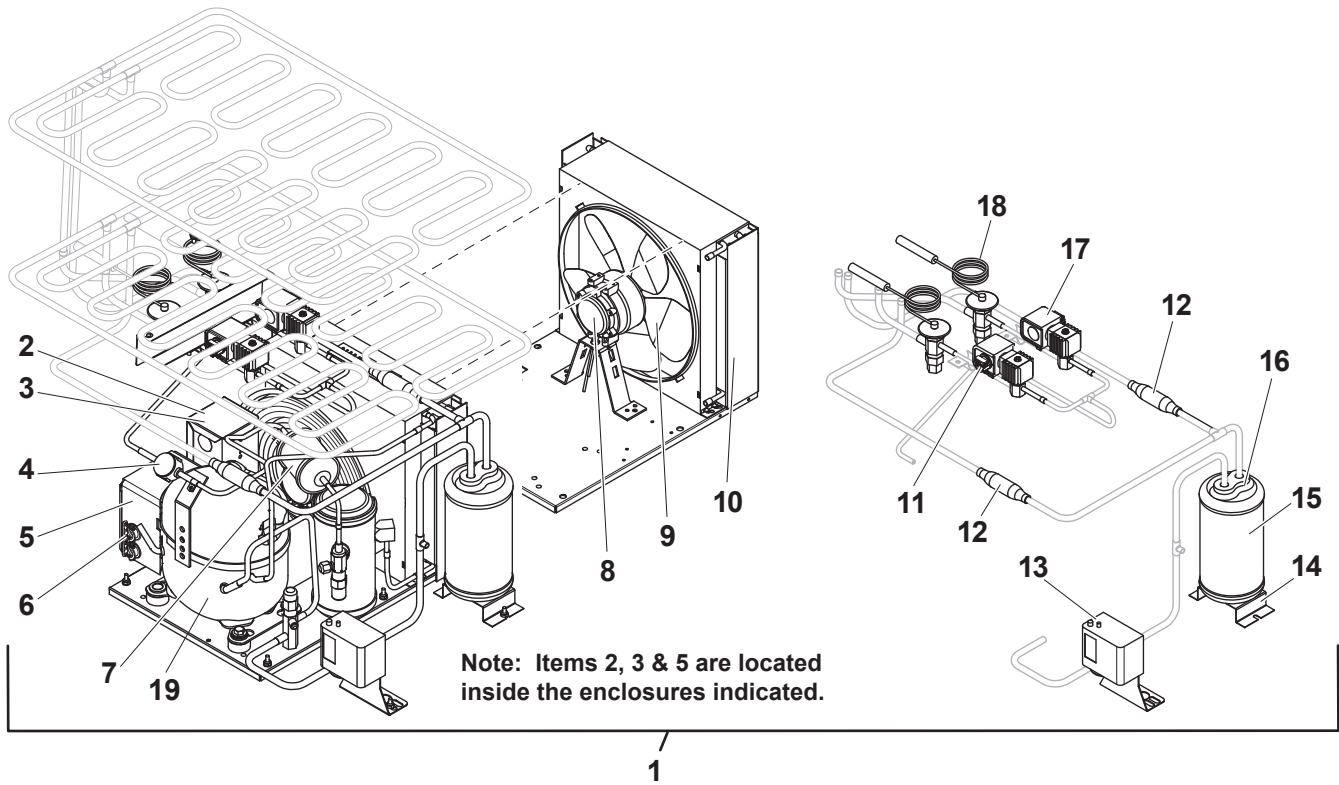
ITEM	PART NO.	DESCRIPTION	HF91-2-HFL-HFL	HF91-2-FOL-FOL
1	114328K	SERVICE ASSEMBLY, CONTROL HFL	2	
2	114170	CONTROL PANEL COVER, HFL	1	
3	114057	THREE POSITION SWITCH	1	
4	114060	HEAT LAMP INDICATOR LIGHT (Amber)	1	
5	114061	COMPRESSOR INDICATOR LIGHT (Green)	1	
6	114059	HEAT LAMP, INFINITE CONTROL	1	
7	114092	OVERLAY-HFL	1	
8	114058	LED SWITCH	1	
9	114330K	SERVICE ASSEMBLY, CONTROL FOL		2
10	114171	CONTROL PANEL COVER, FOL		1
11	114050	TWO POSITION SWITCH		1
12	114061	COMPRESSOR INDICATOR LIGHT (Green)		1
13	114094	OVERLAY-FOL		1
8	114058	LED SWITCH		1
14	114203	SNEEZEGUARD-92.875	2	2
Not shown	279500	SCREW, 8-32 x 1/2" PTHMS 18-8SS	52	52
Not shown	114055	HEAT LAMP, GRN-42, 208V	8	
Not shown	226205	RELAY, 120V DASCO	2	
15	114441K	SERVICE ASSEMBLY, ELECTRICAL ENCLOSURE, HFL-HFL	1	
	114454K	SERVICE ASSEMBLY, ELECTRICAL ENCLOSURE, FOL-FOL		1
	114378K	SERVICE ASSEMBLY, ELECTRICAL ENCLOSURE, FOL-FOL (Replaced by 114454K in HF91-2-FOL-FOL, 7/1/2018)		1
16	114531	ENCLOSURE PANEL, FRONT	1	1
17	118434	AC CONNECTION RECEPTACLE	1	1
18	155680	NUT, KEPS 8-32 HEX ZP	3	3
19	120001	BLOCK, TERMINAL 4 POLE	1	1
20	555358	NUT, 6-32 HEX ZINC PLATED NYLON INSERT LOCKNUT	4	4
21	983385	LUG,GROUND ILSCO TA-2	1	
22	222101	BUSHING,HEYCO 1280 STRAIN RELIEF	3	3
23	115357	CONNECTOR, 3/4"LIQUIDTIGHT	1	1
24	167568	LOCKNUT, CONDUIT 3/4"	1	1
25	279500	SCREW, 8-32 x 1/2" PTHMS, 18-8SS	2	2
26	115330	RELAY, DPDT, 40A, 120VAC COIL	2	2
27	653035	NUT, 6-32 KEP ZINC PLATED	4	4
28	160814	SCREW, 6-32 x 3/8" PN PH TF SS	4	4
29	522006	BREAKER, CIRCUIT 20A 1 POLE	2	2
Not Shown	ELC0125	Harness, Heat Power, Hot Frost (Older 404A HFL units, & HOL units)	2	
Not Shown	ELC0126	HARNESS, TB TO LIGHT OUTLET	1	1
Not Shown	ELC0127	Harness-Self Frost (Older 404A, HFL & FOL units)	2	2
Not Shown	ELC0128	HARNESS-POWER TO REFRIG. VALVE	1	2
Not Shown	ELC0129	Harness-Refrigeration Pressure Switch (Older 404A HFL & FOL units)	1	1
Not Shown	ELC0130	Harness-Heat + Frost Control (Older 404A HFL units, & HOL units)	2	
Not Shown	ELC0220	CABLE - REF. SWITCH 91 (Older 404A HFL & FOL units)	1	1
Not Shown	ELC0254	HARNESS-RELAY HEAT JUMPER (Older 404A HFL units)	1	
Not Shown	ELC0253	HARNESS, HF91PS (Older 404A HFL units)	2	
Not Shown	ELC0178	POWER CORD, MOLDED, NEMA L14-30P	1	1
	ELC0300	POWER CORD 15A (Replaced by ELC0178 in 91" FOL units)		1
	ELC0156	Power Cord, Molded, NEMA L14-20P (Replaced by ELC0300 in Older FOL units)		1
Not Shown	ELC0219	JUMPER 64, 91 – Power to Refrig. Valve	1	1
Not Shown	ELC0418	MAIN HARNESS, HFL & FOL	1	1
Not Shown	ELC0419	CONTROL HARNESS, HFL	2	
Not Shown	ELC0420	CONTROL HARNESS, FOL		2
Not Shown	ELC0421	HARNESS, 91" HFL RELAY CONTROL	2	
Not Shown	ELC0425	HARNESS, 91" Comp. Interlock	1	1
Not Shown	ELC0430	PRESSURE SWITCH HARNESS, HFL & FOL	2	2
Not Shown	ELC0431	COMPRESSOR HARNESS, HFL & FOL	2	2
Not Shown	ELC0432	SHORT JUNCTION BOX HARNESS, HFL & FOL	1	1
Not Shown	ELC0433	HARNESS, LONG JUNCTION BOX	1	1

DISPLAY LIGHTS



ITEM	PART NO.	DESCRIPTION	HF35-2	HF48-2	HF50-2	HF64-2	HF91-2
1	514929	CORD, POWER 79" HERA (TS/PC/79/WH)	2	2	2	2	2
2	337210	TAPE, 1" X 108" VHB DOUBLE SIDED	1	1	1	1	1
3	514920	LIGHT, THINSTICK-LED 8"			4	2	
4	514921	LIGHT, THINSTICK-LED 12"		2			
5	514922	LIGHT, THINSTICK-LED 24"	2	2	2		4
6	514923	LIGHT, THINSTICK-LED 34"					2
7	514924	LIGHT, THINSTICK-LED 46"				2	
8	114058	LED SWITCH AND TERMINAL BLOACK	2	2	2	2	2
9	225855	DRIVER, LED, 24VDC 30W, 120V 60HZ	1	1	1		
	114088	DRIVER, LED, 75W				1	1
Not Shown	114585	35" DISPLAY LIGHTS REPLACEMENT KIT	2				
Not Shown	114586	48" DISPLAY LIGHTS REPLACEMENT KIT		2			
Not Shown	114587	50" DISPLAY LIGHTS REPLACEMENT KIT			2		
Not Shown	114588	64" DISPLAY LIGHTS REPLACEMENT KIT				2	
Not Shown	114589	91" DISPLAY LIGHTS REPLACEMENT KIT					2

REFRIGERATION ASSEMBLY



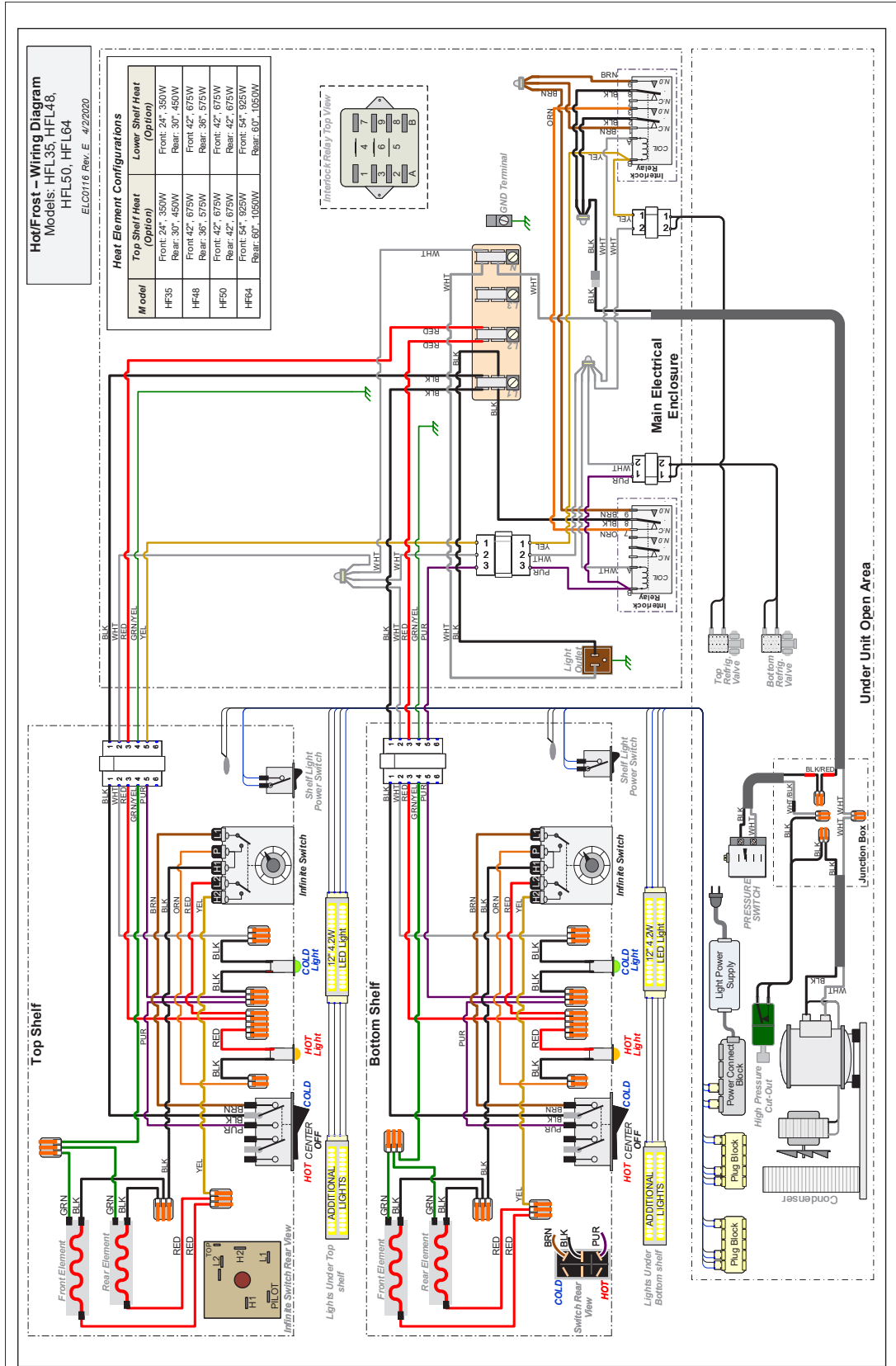
ITEM	PART NO.	DESCRIPTION	HF35-2-HFL & FOL	HF48-2-HFL & FOL	HF50-2-HFL & FOL	HF64-2-HFL & FOL	HF91-2-HFL & FOL
1	226736	NLA - UNIT, CONDENSING, 1/2 HP, 404A, 115V	1	1	1	1	2
	516836	UNIT, CONDENSING, HOT FROST, 480A, 120V 60 HZ	1	1	1	1	2
2	114445	START CAPACITOR, COMPRESSOR (Ref-226736)	1	1	1	1	1
	227864	START CAPACITOR, COMPRESSOR (Ref-516836)	1	1	1	1	1
3	114447	RELAY (Ref-226736)	1	1	1	1	1
	227865	RELAY (Ref-516836)	1	1	1	1	1
4	114452	SITE GLASS (Ref-226736 & 516836)	1	1	1	1	1
5	114446	COMPRESSOR RUN CAPACITOR (Ref-226736)	1	1	1	1	1
	227863	COMPRESSOR RUN CAPACITOR (Ref-516836)	1	1	1	1	1
6	114336	CORD GRIP	2	2	2	2	4
7	114451	FILTER DRIER (Ref-226736 & 516836)	1	1	1	1	1
8	114449	CONDENSER FAN MOTOR (Ref-226736)	1	1	1	1	1
	217851	CONDENSER FAN MOTOR (Ref-516836)	1	1	1	1	1
9	114450	CONDENSER FAN BLADE (Ref-226736)	1	1	1	1	1
	217819	CONDENSER FAN BLADE (Ref-516836)	1	1	1	1	1
10	114448	CONDENSER COIL (Ref-226736)	1	1	1	1	1
	227862	CONDENSER COIL (Ref-516836)	1	1	1	1	1
11	222101	BUSHING, HEYCO 1280 STRAIN RELIEF	2	2	2	2	4
12	114080	CHECK VALVE	2	2	2	2	2

REFRIGERATION ASSEMBLY *(Continued)*

ITEM	PART NO	DESCRIPTION	HF35-2-HFL & FOL	HF48-2-HFL & FOL	HF50-2-HFL & FOL	HF64-2-HFL & FOL	HF91-2-HFL & FOL
13	114078	LOW PRESSURE CONTROL	1	1	1	1	2
14	114379	BRACKET, ACCUMULATOR	1	1	1	1	2
15	526805	INSULATION, ACCUMULATOR	1	1	1	1	2
16	226117	ACCUMULATOR, SPORLAN 3" DIA. 3/8" FITTINGS 1BS	1	1	1	1	2
17	216553	SOLENOID, REFRIGERATION W/COIL 120V	2	2	2	2	2
18	114075	TEV THERMOSTATIC EXPANSION VALVE <i>(Ref-226736)</i>	2	2	2		
	114423	TEV THERMOSTATIC EXP VALVE EFS-1/4-Z <i>(Ref-226736)</i>				2	2
	516831	VALVE, EXPANSION <i>(Ref-516836)</i>	2	2	2	2	2
19	526736	Compressor <i>(Ref-226736 & 516836)</i>	1	1	1	1	2
Not Shown	226407	Control, High Pressure Cutout <i>(Ref-516836)</i>	1	1	1	1	2

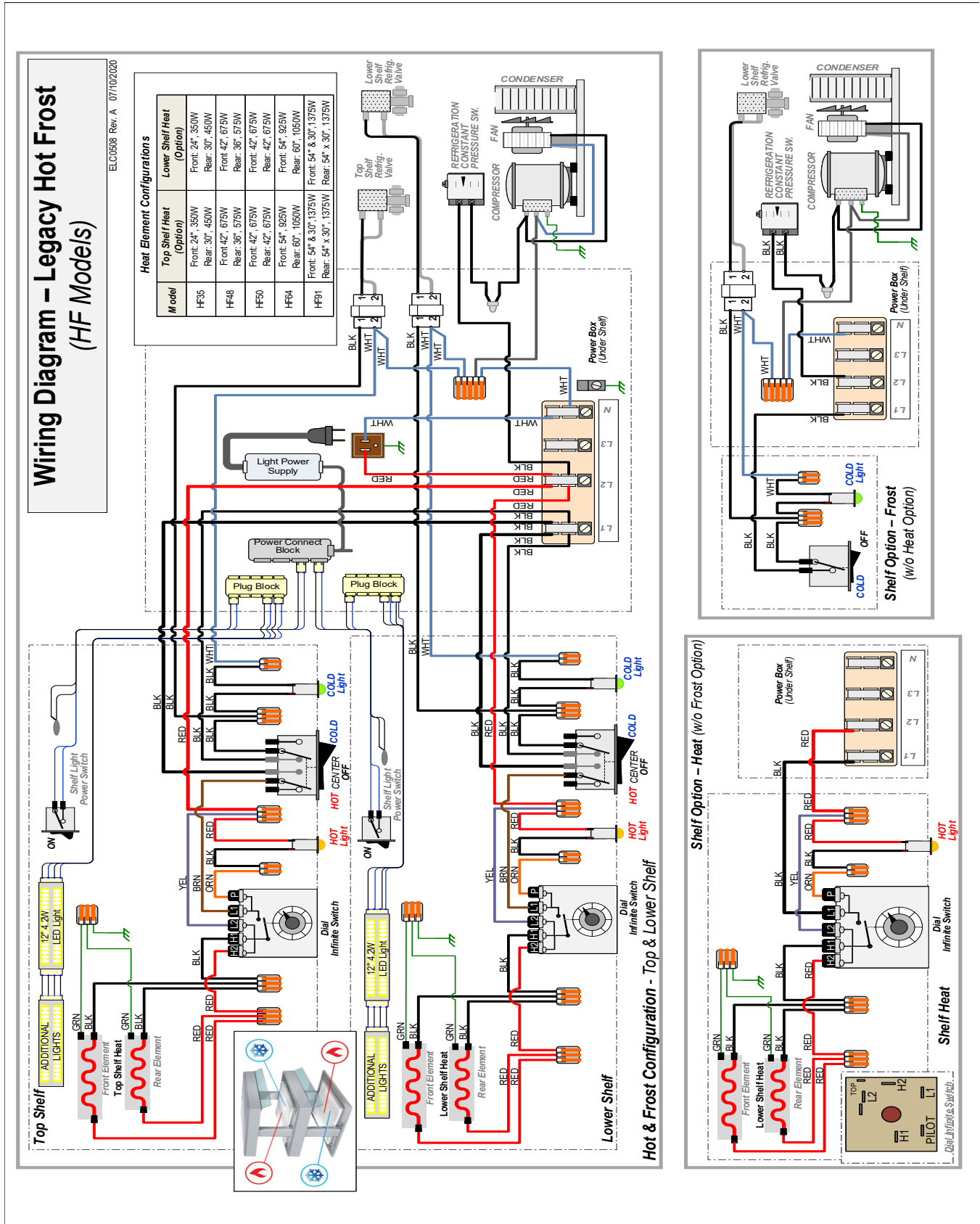
HOT FROST WIRING DIAGRAM

(HFL35-2-HFL-HFL, HF48-2-HFL-HFL, HF50-2-HFL-HFL, HF64-2-HFL-HFL Models)



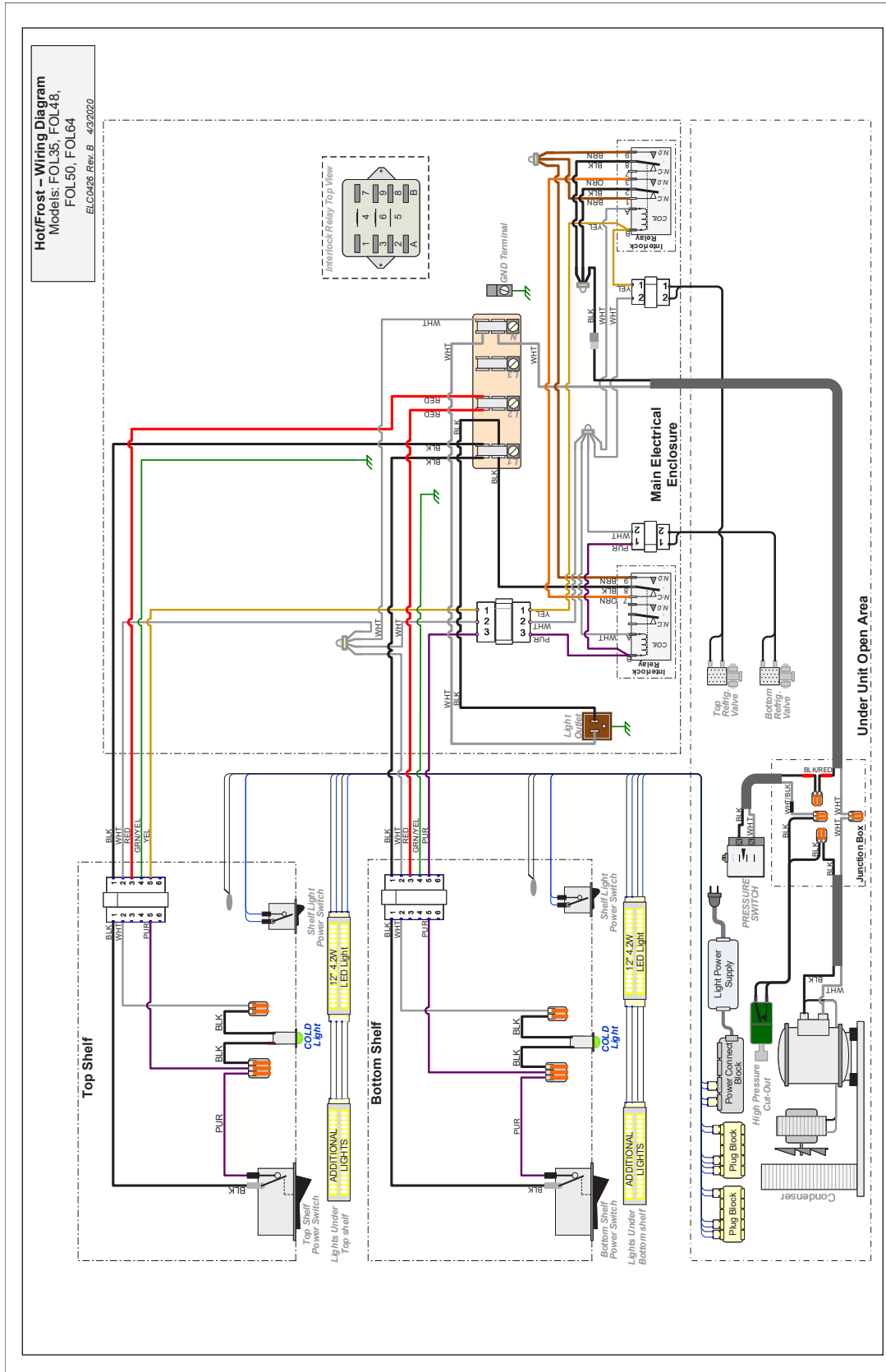
HOT FROST WIRING DIAGRAM

(HF35-2-HOL-HOL, HF48-2-HOL-HOL & HF50-2-HOL-HOL Models)



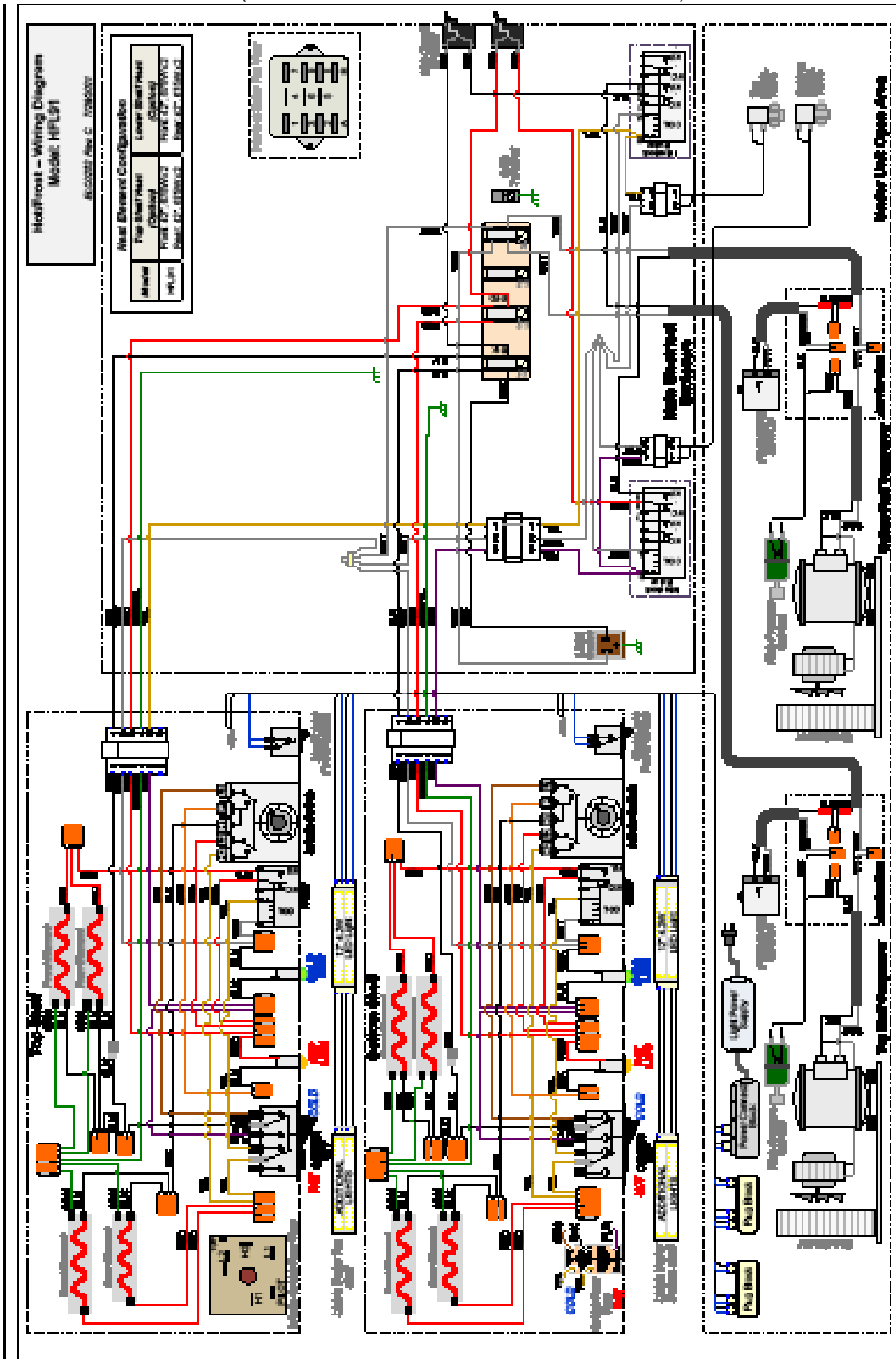
HOT FROST WIRING DIAGRAM

(HF35-2-FOL-FOL, HF48-2-FOL-FOL, HF50-2-FOL-FOL & HF64-2-FOL-FOL Models)



HOT FROST WIRING DIAGRAM

(HF91-2-HFL-HFL & HF91-2-FOL-FOL Models)



Notes



Your Solutions Partner

Duke Manufacturing Company

2305 N. Broadway
St. Louis, MO 63102
Phone: 314-231-1130
Toll Free: 1-800-735-3853
Fax: 314-231-5074
www.dukemfg.com