



Your Solutions Partner

Instruction Sheet

Hot Frost Thinstick Light Kit Replacement

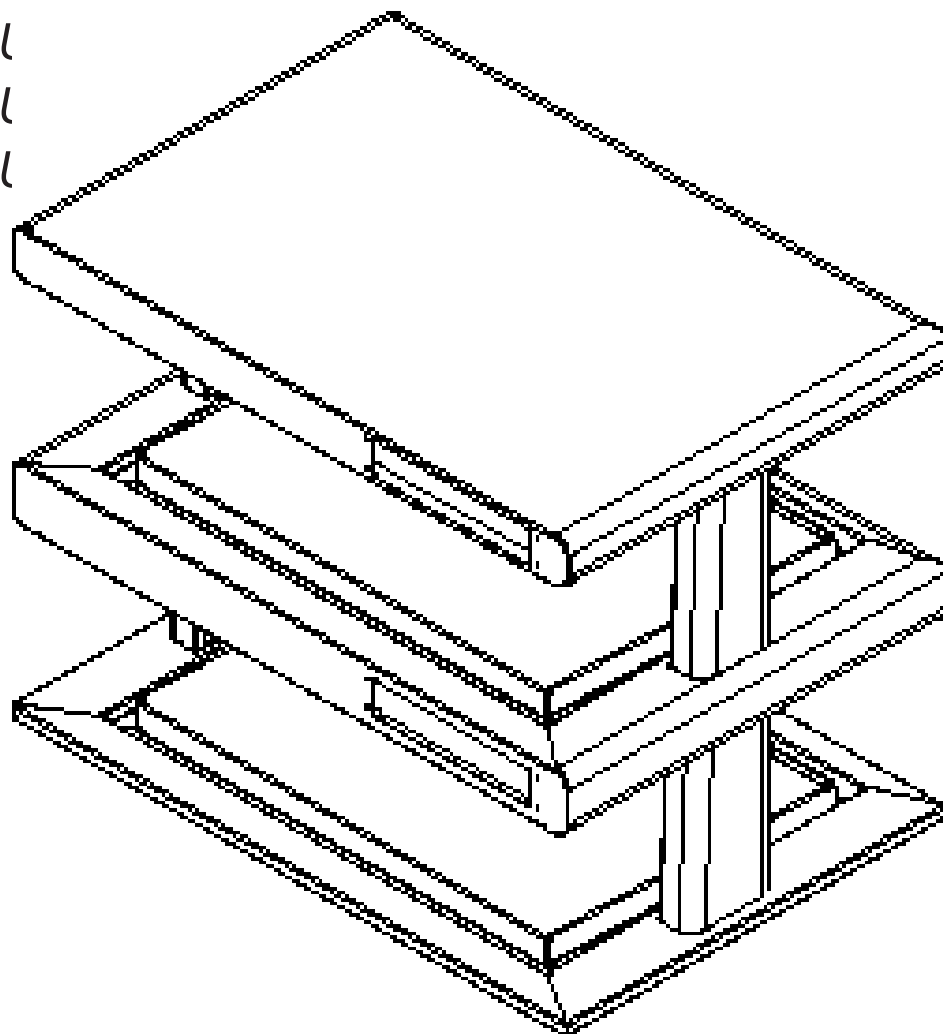
114585 - 35" Unit

114586 - 48" Unit

114587 - 50" L

114588 - 64" L

114589 - 91" L



CAUTION: Please read these instructions completely before attempting to install, operate or service this equipment.



WARNING for CA residents: go to www.dukemfg.com/prop65 for prop 65 warning

*This manual is Copyright © 2021 Duke Manufacturing Co. All rights reserved.
Reproduction without written permission is prohibited. Duke is a registered
trademark of the Duke Manufacturing Co.*

**P/N 529337
REV A 07/19/2021**

PARTS INCLUDED

Item	Part Number	Description	114585 35" Unit	114586 48" Unit	114587 50" Unit	114588 64" Unit	114589 91" Unit
1	Various	Mounting Plate	1	1	1	1	1
2	514920	Thinstick-LED Light 8" TS/8/4000/M	N/A	N/A	2	1	N/A
3	514921	Thinstick-LED Light 12" TS/12/4000/M	N/A	1	N/A	N/A	N/A
4	514922	Thinstick-LED Light 24" TS/24/4000/M	1	1	1	N/A	2
5	514923	Thinstick-LED Light 34" TS/34/4000/M	N/A	N/A	N/A	N/A	1
6	514924	Thinstick-LED Light 46" TS/46/4000/M	N/A	N/A	N/A	1	N/A
7	213032	Screws, 8-18X1/2" TEK PHIL	6	10	10	12	20
8	514929	LED Power Cord	1	1	1	1	1
9*	PT3003190	#29 Drill Bit	1	1	1	1	1

* Not Shown

Tools Needed



Cordless Drill



Philips Screw Driver



Straight Blade Screw Driver

INSTRUCTIONS

1 Open box and verify you have all the parts for your size unit.

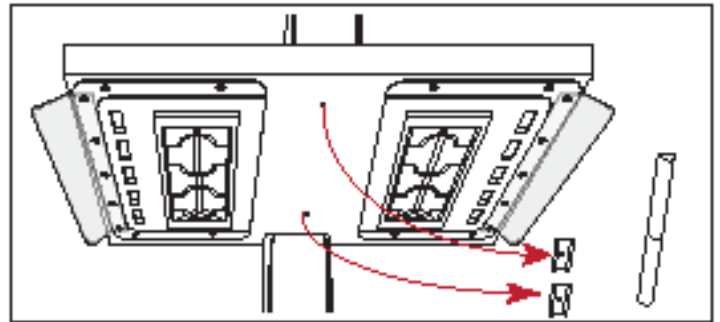
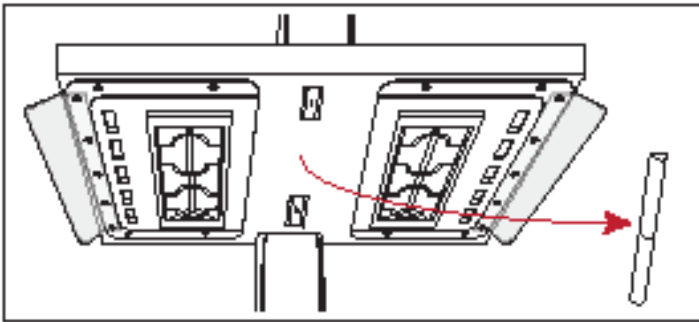
2 **DISCONNECT ALL POWER TO UNIT.**

CAUTION 

Failure to complete could cause bodily injury.

3 Remove light covers and remove existing lights from retainer clips.

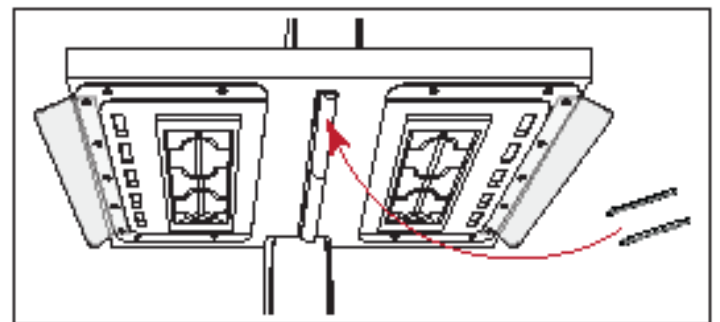
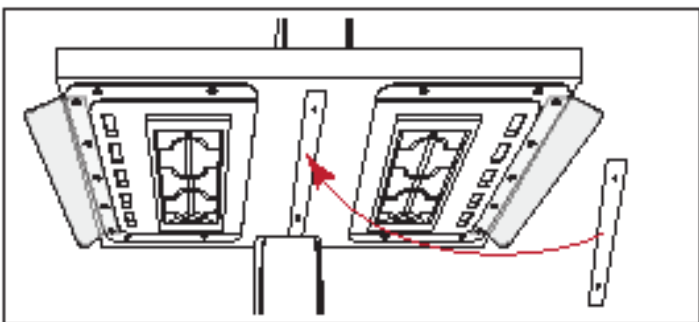
4 Using the #29 drill bit provided, drill out the rivets to remove the retaining clips. (If needed)



5 Remove old power cord.

6 Using the screws provided install mounting plate using the hole location drill out in step 4,

7 Install new LED lights.

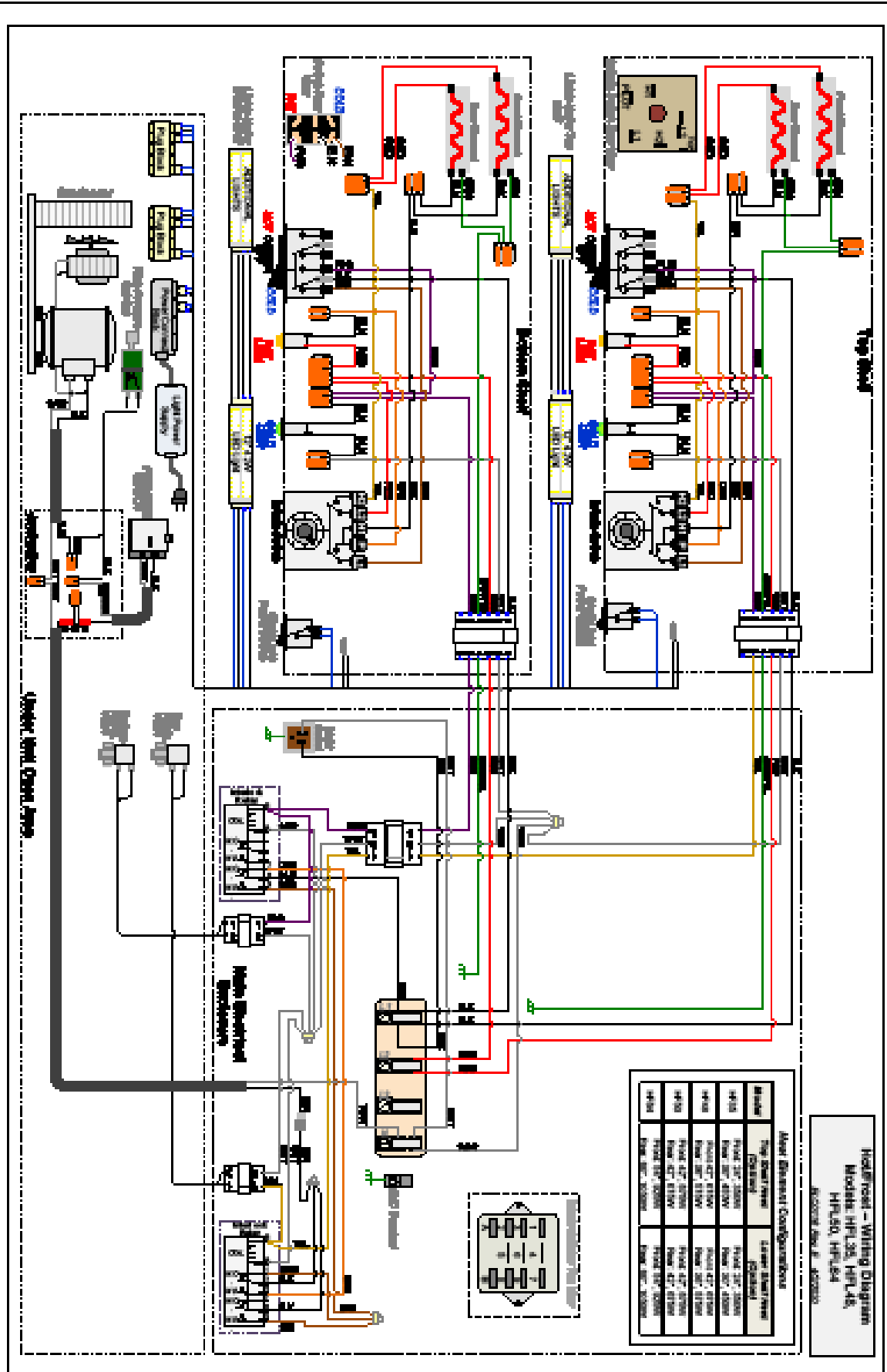


8 Reconnect power to unit.

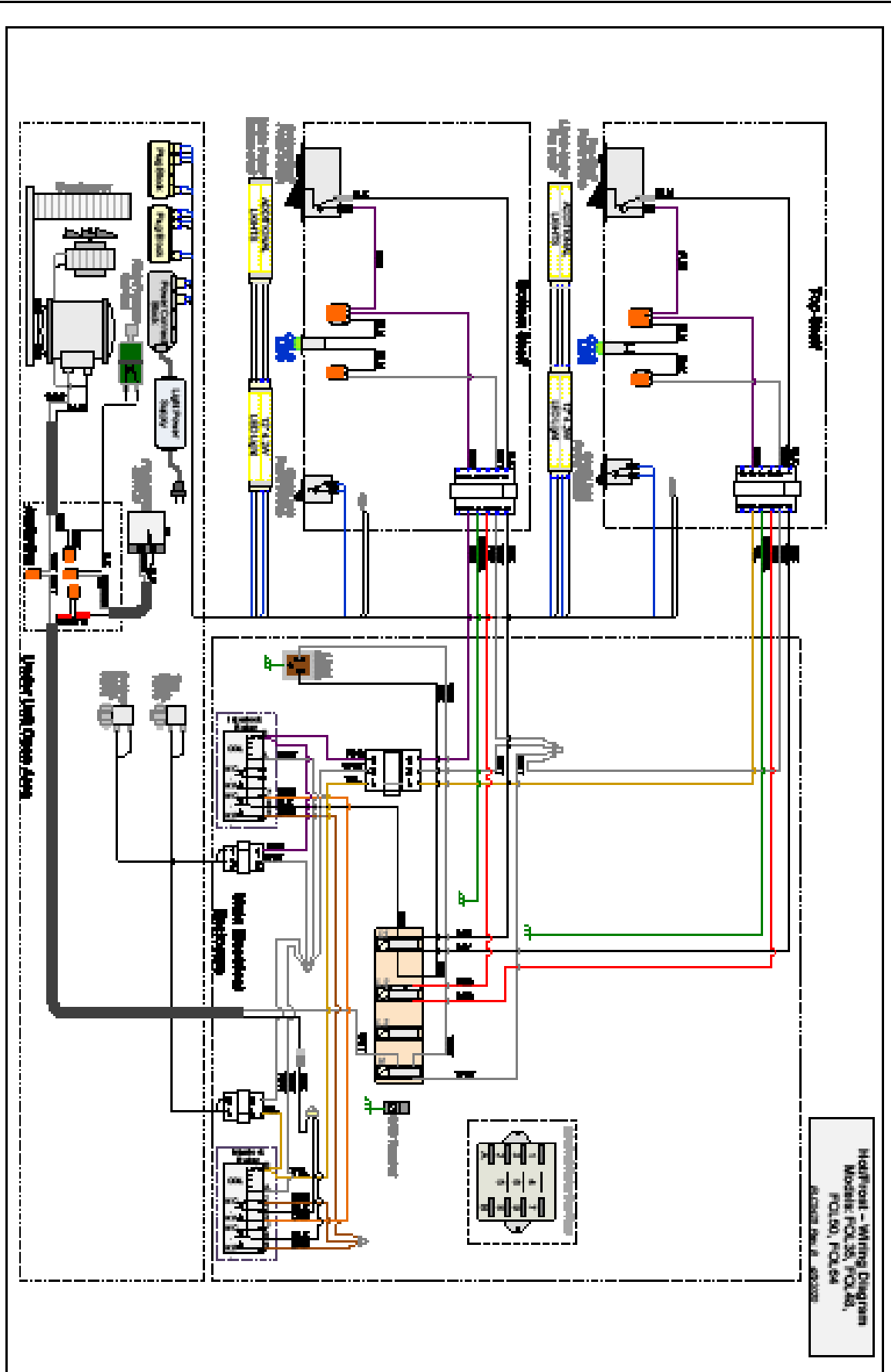
9 Power on unit and verify lights are properly working.

10 Discard all components properly removed from the unit. Recycling if possible

WIRE DIAGRAMS



WIRE DIAGRAMS



BLANK PAGE



Duke Manufacturing Co.
2305 N. Broadway
St. Louis, MO 63102

Phone: 314-231-1130
Toll Free: 1-800-735-3853
Fax: 314-231-5074

www.dukemfg.com