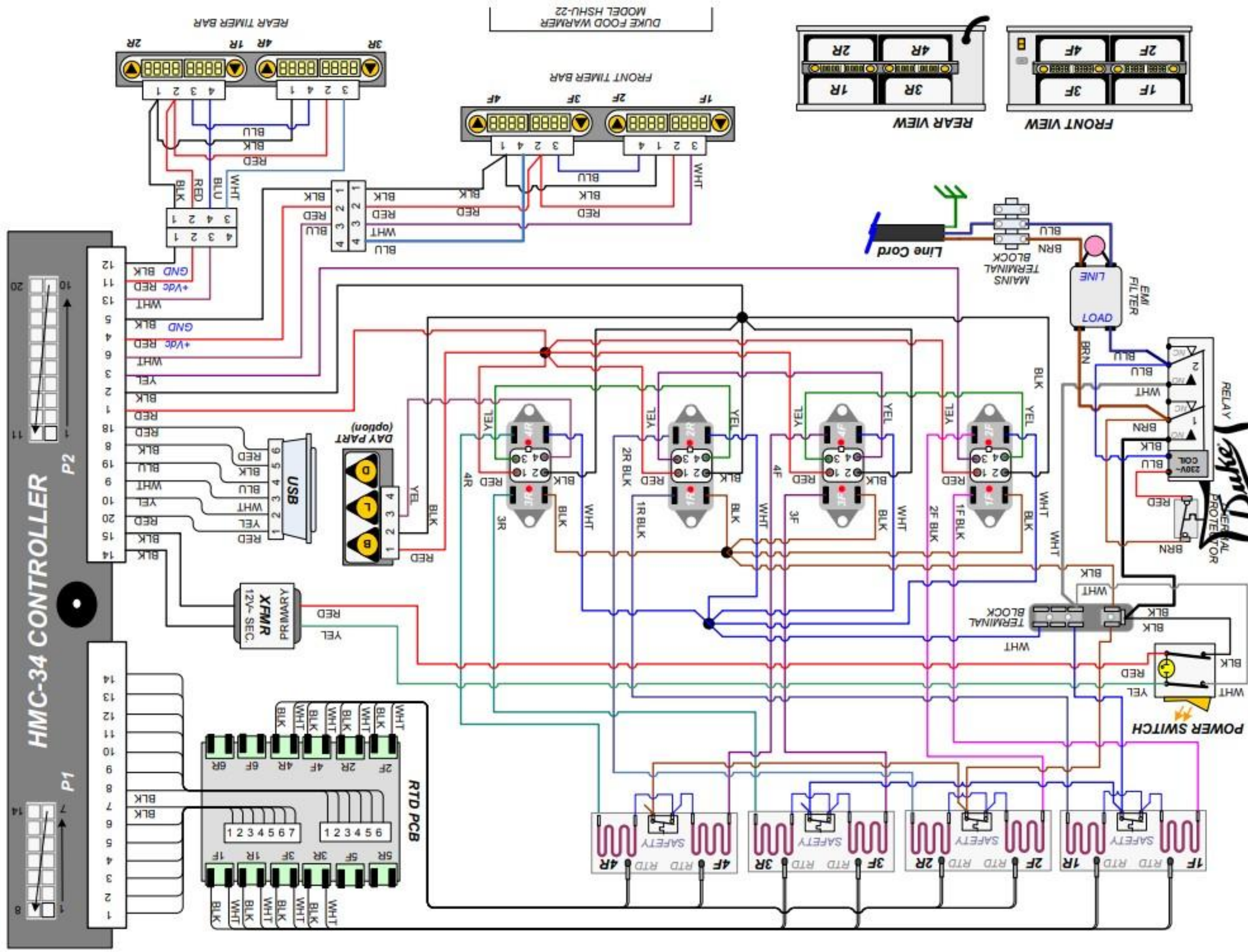
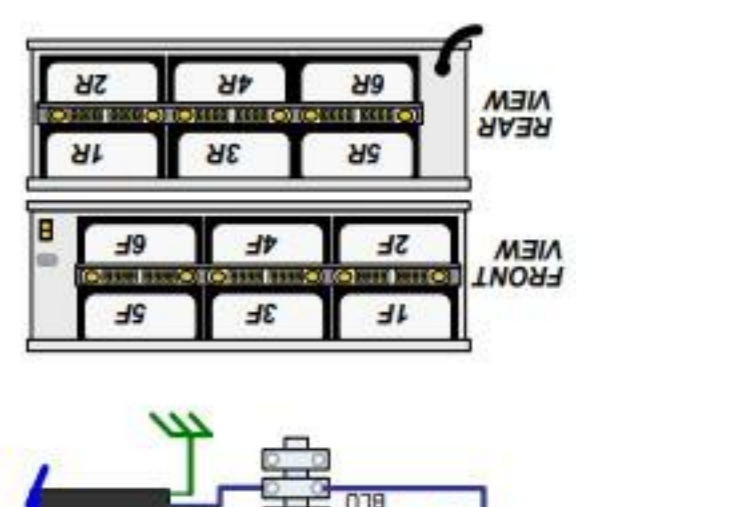
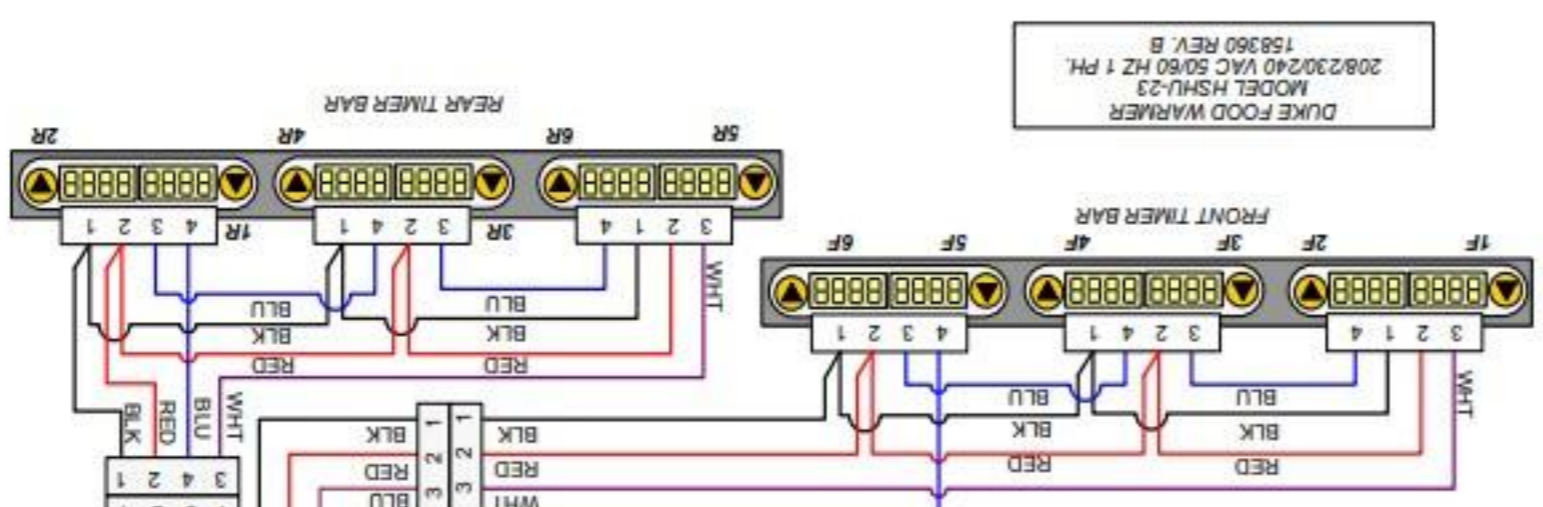
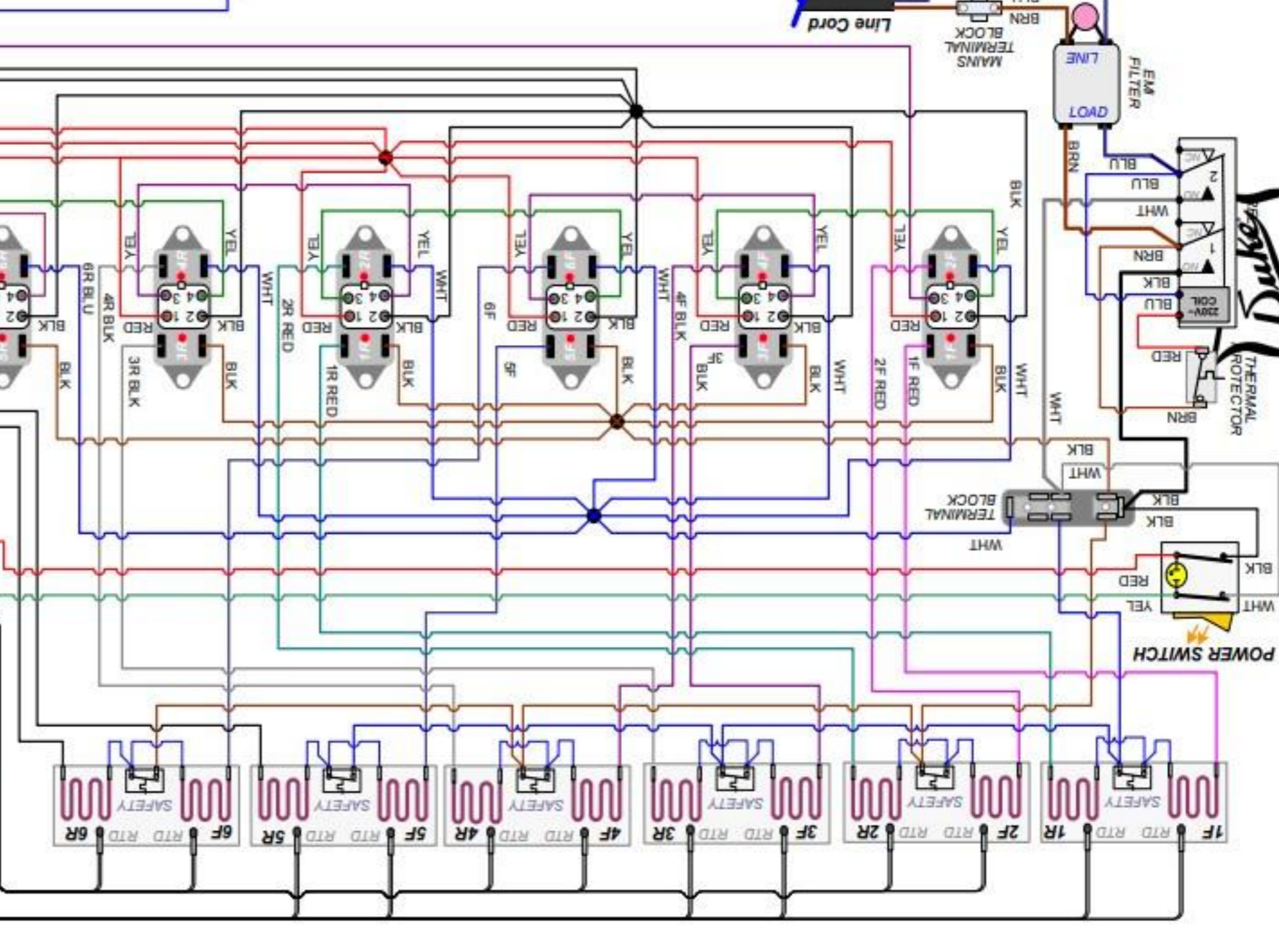
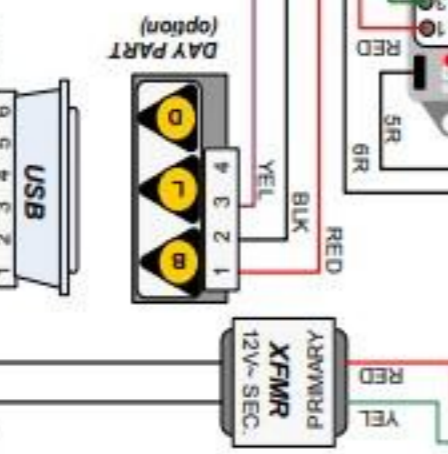
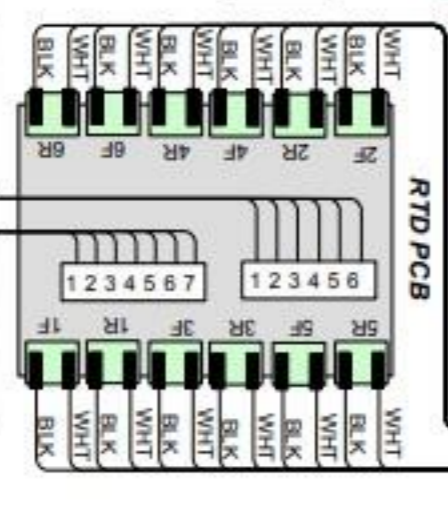
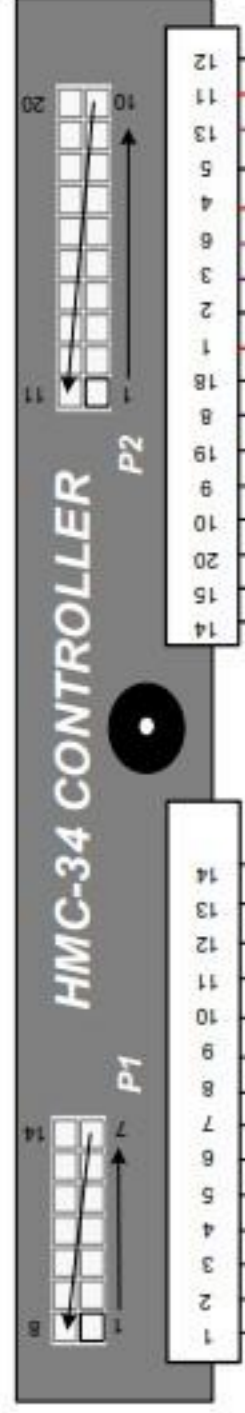
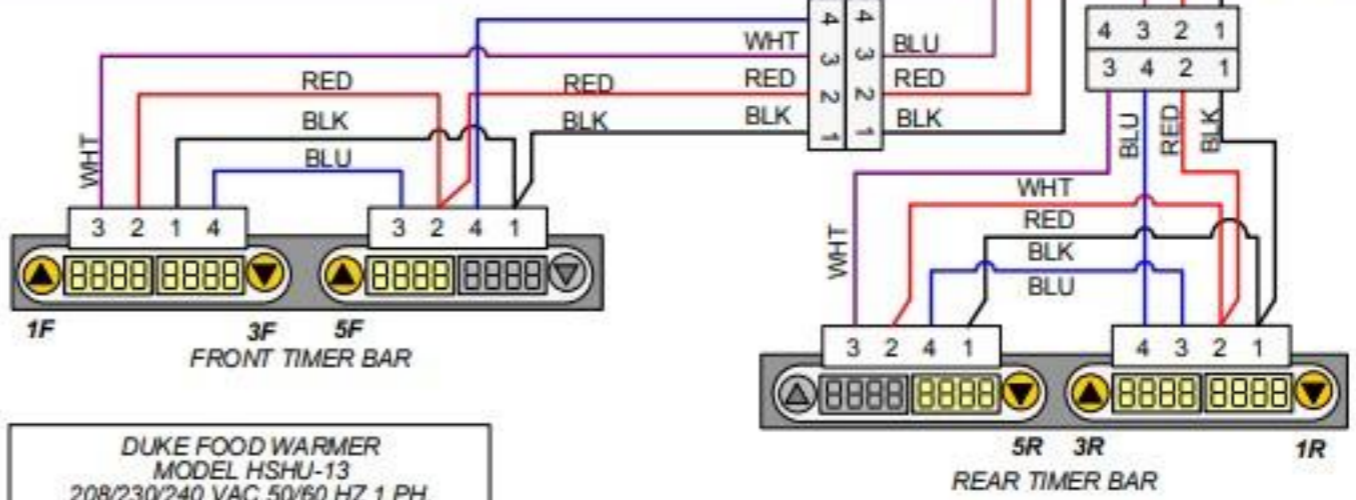
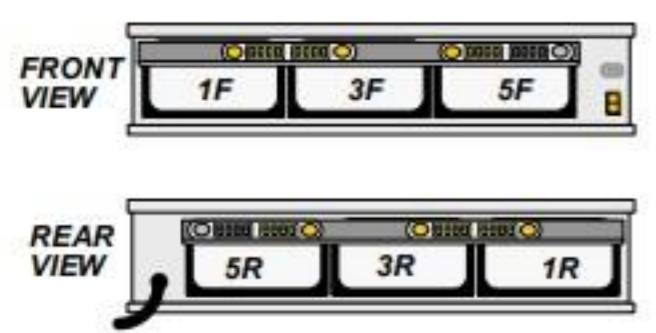
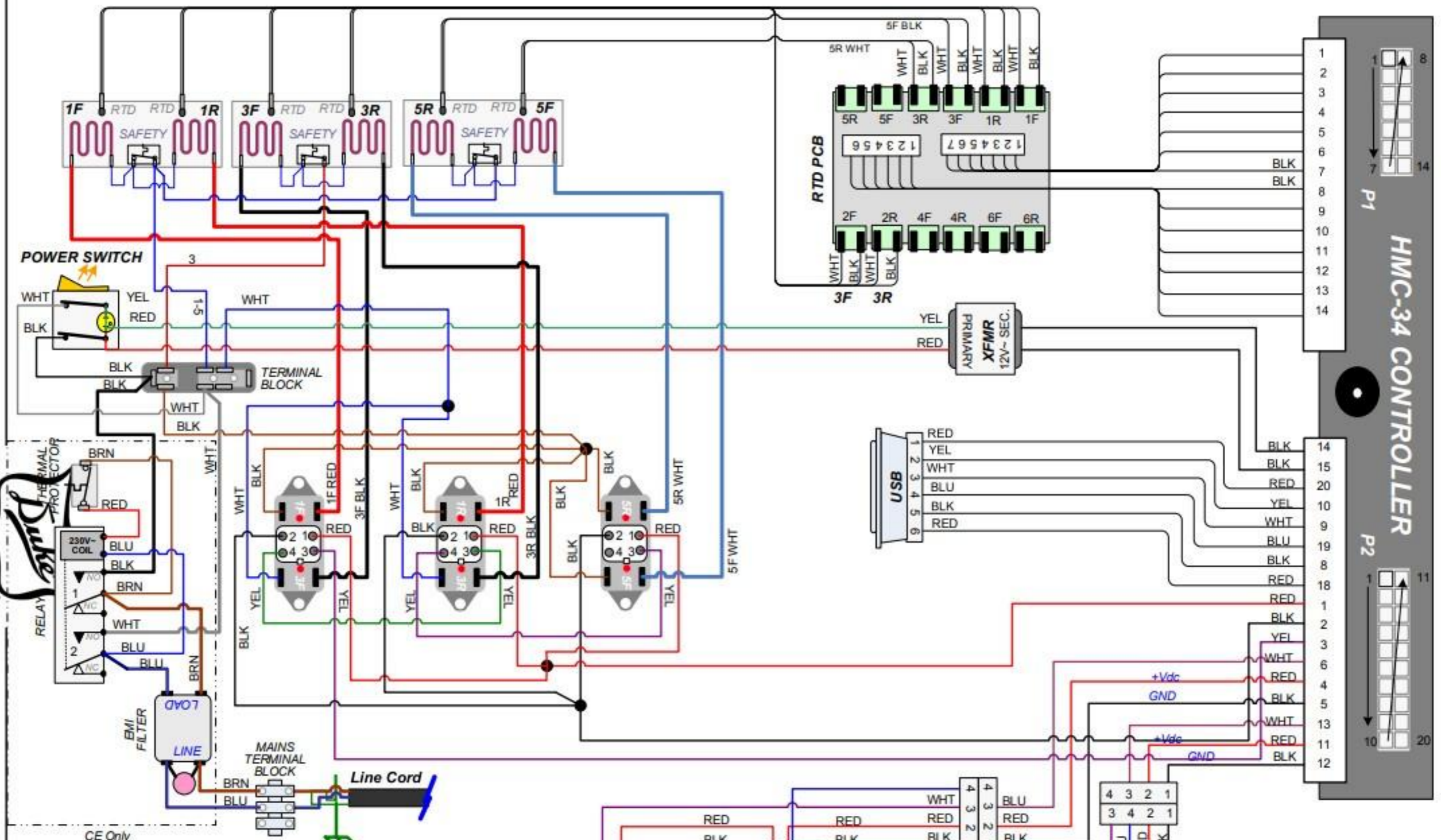


(FOR REFERENCE ONLY - UNIT TO BE SERVICED BY AUTHORIZED PERSONNEL ONLY)

HSU-22







DUKE FOOD WARMER  
 MODEL HSHU-13  
 208/230/240 VAC 50/60 HZ 1 PH.  
 158559 REV. A

Your Solutions Partner