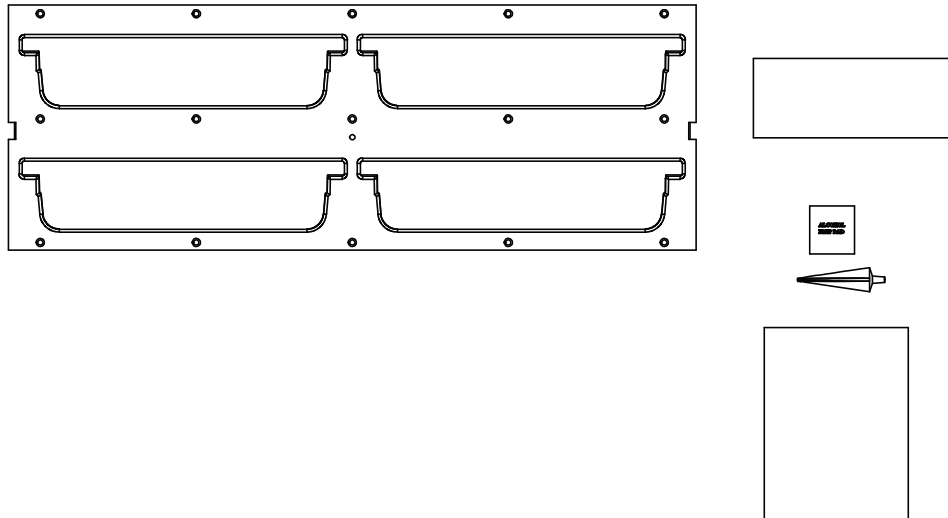




Your Solutions Partner

INSTALLATION INSTRUCTIONS

HSHU FACEPLATE KIT DUKE KIT# 600287 & 600288



This kit contains:

- 158248 or 158251 - Assy, Face plate
- 158376 or 158378 Gasket, HSHU Faceplate Kit
- 176019 - Alcohol Pad
- 0297325 - Sealant, Clear RTV

Items required for this installation:

- Cross Tip Screwdriver

*This manual is Copyright © 2010 Duke Manufacturing Co. All rights reserved.
Reproduction without written permission is prohibited. Duke is a registered
trademark of the Duke Manufacturing Co.*

Duke Manufacturing Co.

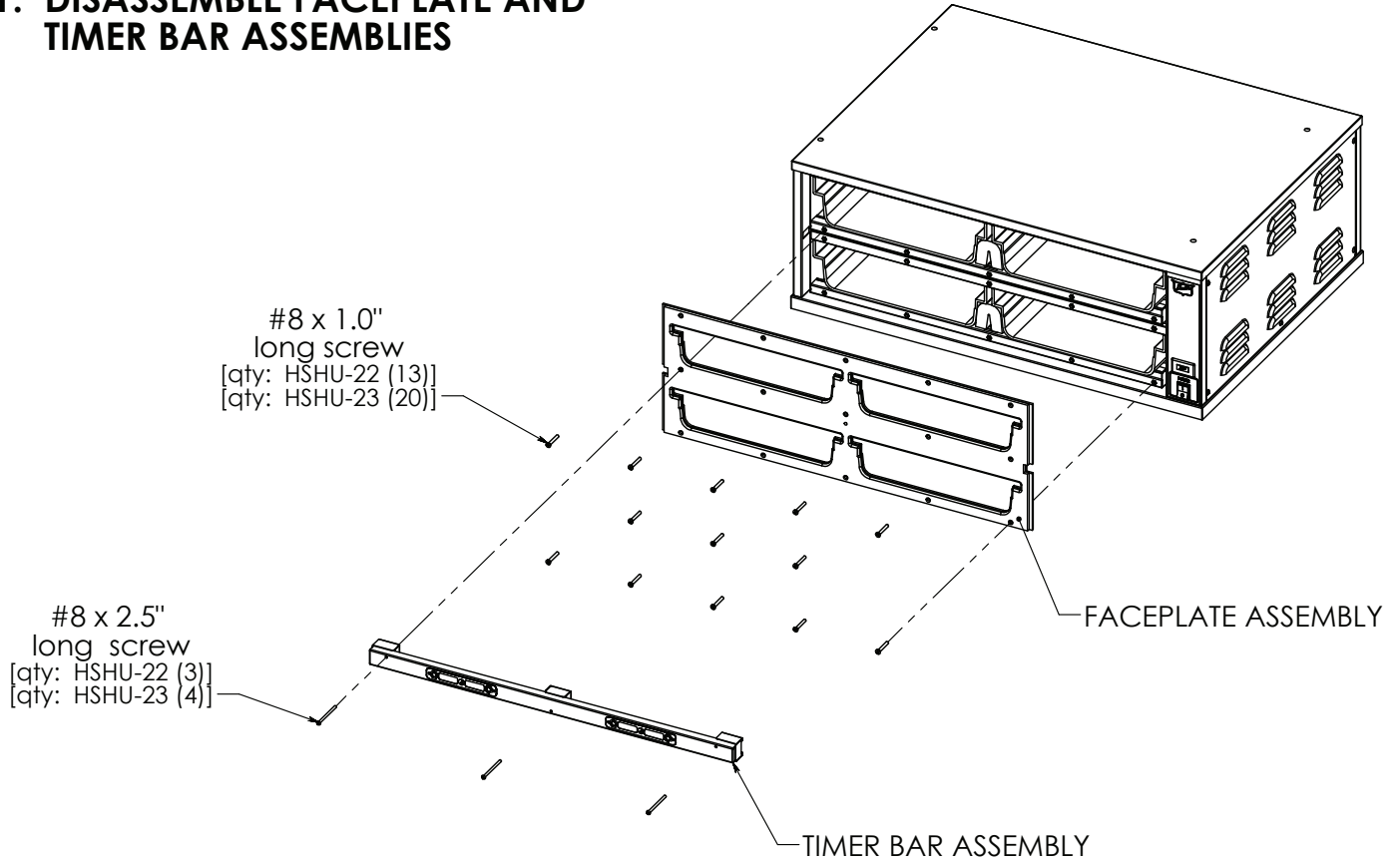
2305 N. Broadway
St. Louis, MO 63102
Phone: 314-231-1130
Toll Free: 1-800-735-3853
Fax: 314-231-5074

www.dukemfg.com

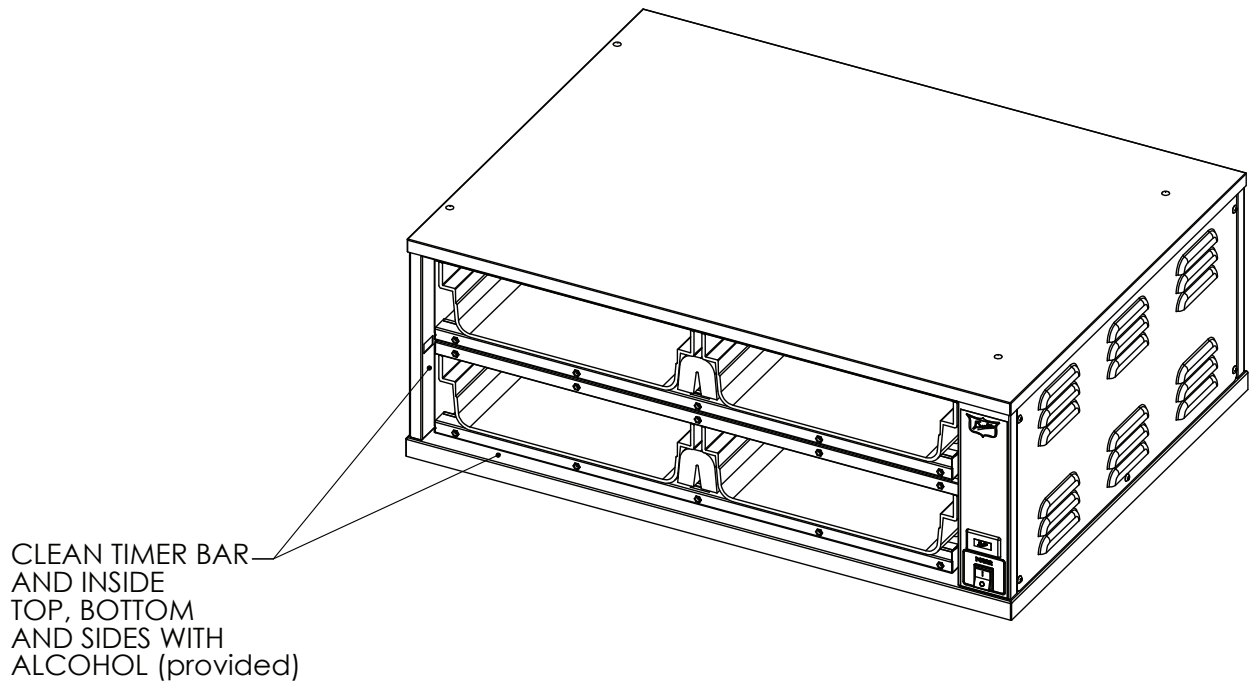
HSHU FACEPLATE KIT INSTRUCTIONS

HSHU-22 SHOWN (HSHU-23 SIMILAR)

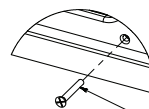
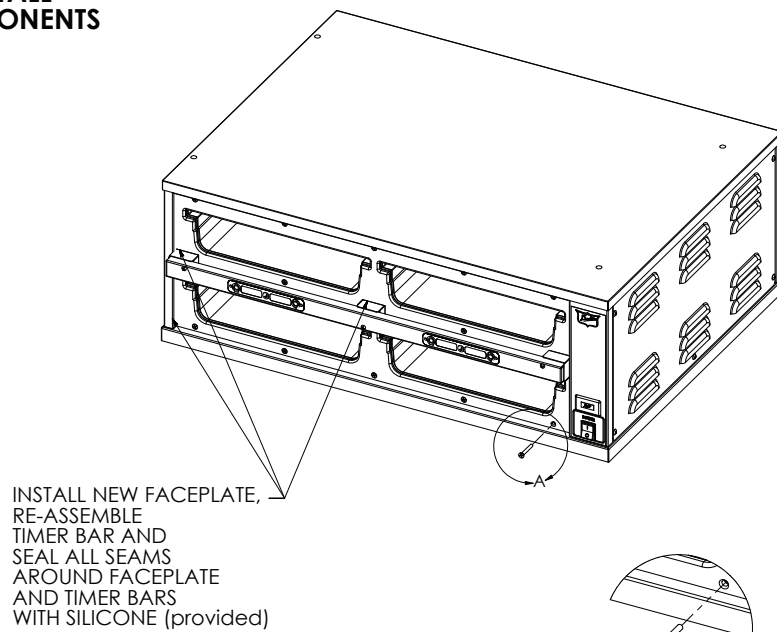
1. DISASSEMBLE FACEPLATE AND TIMER BAR ASSEMBLIES



2. CLEAN ALL SURFACES



2. RE-INSTALL COMPONENTS



APPLY A SMALL AMOUNT OF SILICONE TO ALL SCREWS



Your Solutions Partner

Duke Manufacturing Company

**2305 N. Broadway
St. Louis, MO 63102
Phone: 314-231-1130
Toll Free: 1-800-735-3853
Fax: 314-231-5074
www.dukemfg.com**

**EU Headquarter Office
Duke Manufacturing
CR s.r.o. Vitavska 219,
Stechovice 25207
Phone: 42 (0) 257-741-033**

**Duke Mfg UK
Duke House
Unit 10, Greendale Business Park
Woodbury Salterton
Exeter
Devon - UK EX5 1EW
Tel: 01395 234140
FAX: 01395 234154**

**Asia Office
Duke Food Service Equipment Company Limited
1F, Building #17-2
658 Nong Jin Zhong Road
Shanghai 200335 China
Phone: 86 21 6876 9272
FAX: 86 21 33600628**