

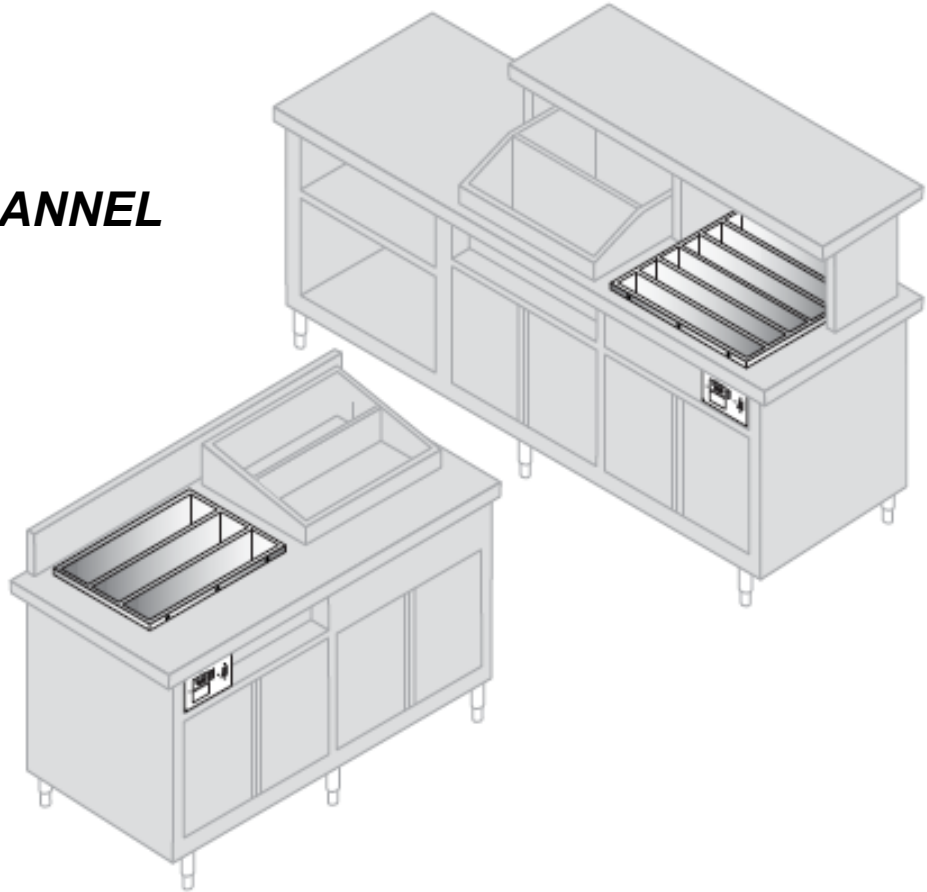


"Your Solutions Partner"

# Illustrated Parts List

## HEATED DRY CHANNEL

**MODEL**  
**HDC3/HDC6**



---

*This manual is Copyright © 2017 Duke Manufacturing Co. All rights reserved.  
Reproduction without written permission is prohibited. Duke is a registered  
trademark of the Duke Manufacturing Co.*

## Duke Manufacturing Co.

2305 N. Broadway • St. Louis, MO 63102

800.735.3853 • 314.231.1130

Fax: 314-231-5074

[www.dukemfg.com](http://www.dukemfg.com)

## TABLE OF CONTENTS

HOW TO DETERMINE MANUFACTURE DATE FROM  
FROM DUKE EQUIPMENT'S SERIAL NUMBERS.....3

TUB AND CHANNEL ASSEMBY .....4

DRY CHANNEL CONTROL BOARD.....5

DRY CHANNEL RELAY BOX.....6

DRY CHANNEL RELAY BOX ASSEMBLY REV 5.1.....8

RETROFIT TOGGLE SWITCH.....10

CONTROLLER ASSEMBLY ..... 11

## How to Determine Manufacture Date from Duke Equipment Serial Numbers

All units currently manufactured in St. Louis and Sedalia, Missouri (After 2/1/2013):

08 03 0202

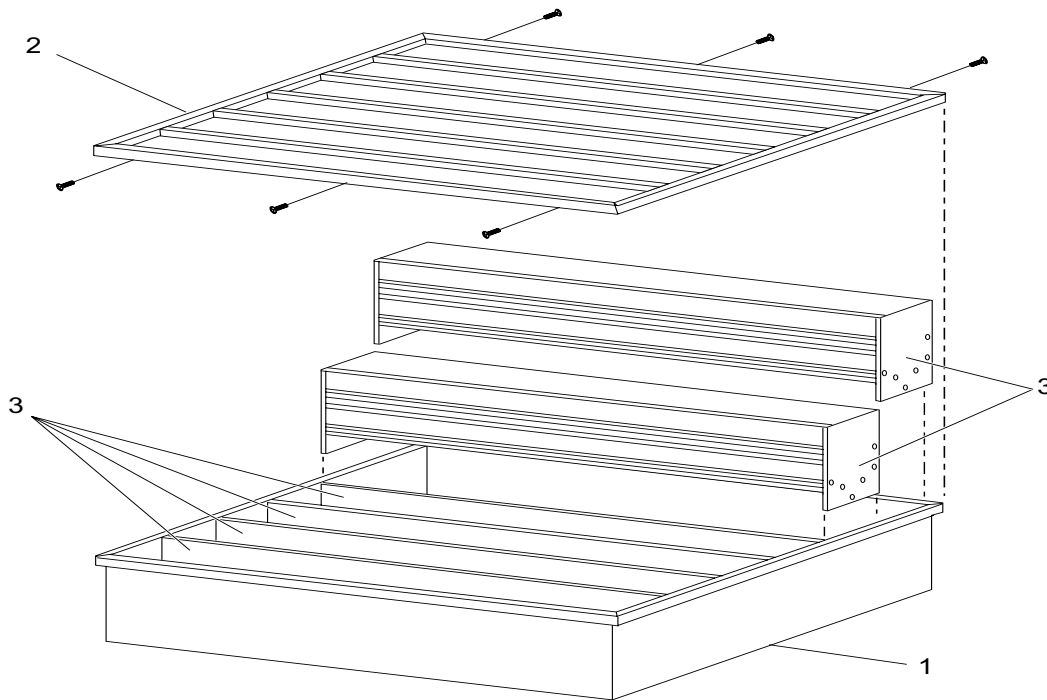
(Example: 08030202 = Indicates the unit was manufactured in August of 2003)

Units Manufactured in St. Louis, Missouri (Before 2/1/2013):

30 IF AA 0123

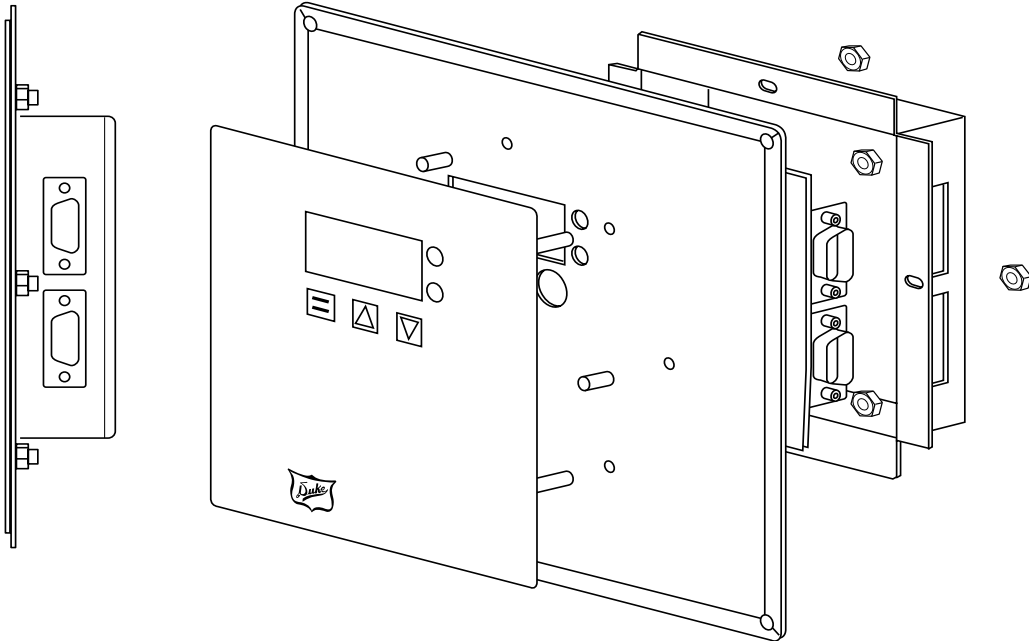
<p><u>Unit Identification</u></p> <p>10 = 5/9                  20 = 6/13 &amp; E-Series                  30 = 6/18 &amp; 3/9                  90 = FBB                  94 = FWM                  95 = IRHU                  99 = Dry Channel</p>		<p><u>Sequential Number</u></p>
<p><u>Year of Manufacture</u></p> <p>A = 1                  B = 2                  C = 3                  D = 4     (Examples)                  E = 5     (JJ = 2000)                  F = 6     (JA = 2001)                  G = 7     (JB = 2002)                  H = 8                  I = 9                  J = 0</p>	<p><u>Month of Manufacture</u></p> <p>JA = January                  JB = February                  JC = March                  JD = April                  JE = May                  JF = June                  JG = July                  JH = August                  JI = September                  AJ = October                  AA = November                  AB = December</p>	

## TUB AND CHANNEL ASSEMBLY



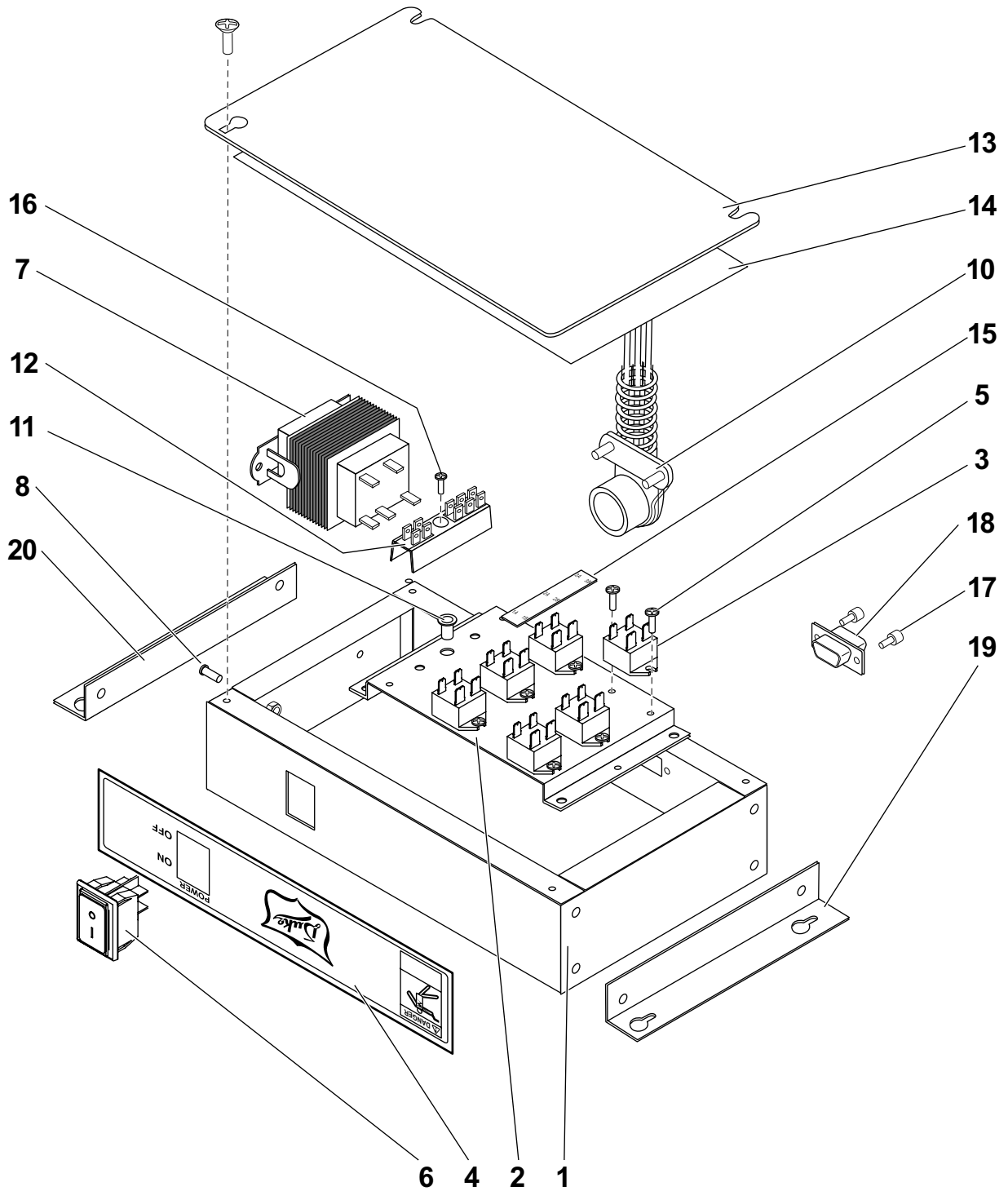
ITEM	PART NO.	DESCRIPTION	HDC3	HDC4	HDC6
1	553415	Tub Assembly, 3 Channel, Single Zone, Dry Channel	X		
1	553459	Tub Assembly, 3 Channel, Single Zone, Generic DC, Rev 5.1	X		
1	553262	Tub Assembly, 4 Channel, Dual Zone, Dry Channel, Rev 5.1		X	
1	553263	Tub Assembly, 6 Channel, Dual Zone, Dry Channel, Rev 5.1			X
1	553417	Tub Assembly, 6 Channel, Single Zone, Dry Channel, Rev 6.1			X
1	553505	Tub Assembly, 6 Channel, Single Zone, Generic			X
2	553411	Top, 3 Channel, Dry Channel	X		
2	553246	Top, 4 Channel, Dry Channel		X	
2	553412	Top, 6 Channel, Dry Channel			X
3	<a href="#">553414</a>	Center Channel, Single Zone, 3/6 Dry Channel, Rev 6.1	X		X
3	553458	Generic Channel, Single Zone, 3/6 Dry Channel, Rev 5.1 & Generic	X		X
3	553284	Front Channel, Dual Zone, 4 Channel, Dry Channel, Rev 5.1		X	
3	553268	Front Channel, Dual Zone, 6 Channel, Dry Channel, Rev 5.1			X
3	<a href="#">553290</a>	Kit, Dual Zone, HDC6 Center Channel Retrofit (Ref-553269)			X
3	<a href="#">553291</a>	Kit, Dual Zone, HDC4 Center Channel Retrofit (Ref-553285)		X	
Not Shown	<a href="#">553510</a>	Kit, Element, 700 Watt, Dual Zone (Ref- <a href="#">218968</a> )			X
Not Shown	<a href="#">553546</a>	Kit, Element, 700 Watt, Single Zone (Ref- <a href="#">228809</a> )	X		X
Not Shown	553535	Kit, Element, 850 Watt, Dual Zone (Ref- <a href="#">218969</a> )		X	X
Not Shown	<a href="#">553512</a>	Kit, High Limit Replacement (Ref- <a href="#">228808</a> )	X	X	X
Not Shown	<a href="#">553511</a>	Kit, RTD Replacement (Ref- <a href="#">228807</a> )	X	X	X
Not Shown	551148	Ground Bar	X	X	X
Not Shown	218985	Cable, Grounding	X	X	X

### DRY CHANNEL CONTROL BOARD



PART NO.	DESCRIPTION
<a href="#">553386</a>	Kit, Dual Zone Control Retrofit, 3/4/6 Channel (Ref- <a href="#">218880</a> )
<a href="#">228881</a>	Control Board, Single Zone, 6 Channel
<a href="#">228888</a>	Control Board, Single Zone, 3 Channel
<a href="#">553531</a>	Kit, Mylar Replacement, Dual Zone Control Board (Ref-228823)
<a href="#">553532</a>	Kit, Mylar Replacement, Single Zone Control Board, 3 Channel (Ref-228824)
<a href="#">553533</a>	Kit, Mylar Replacement, Single Zone Control Board, 6 Channel (Ref-228825)

### DRY CHANNEL RELAY BOX

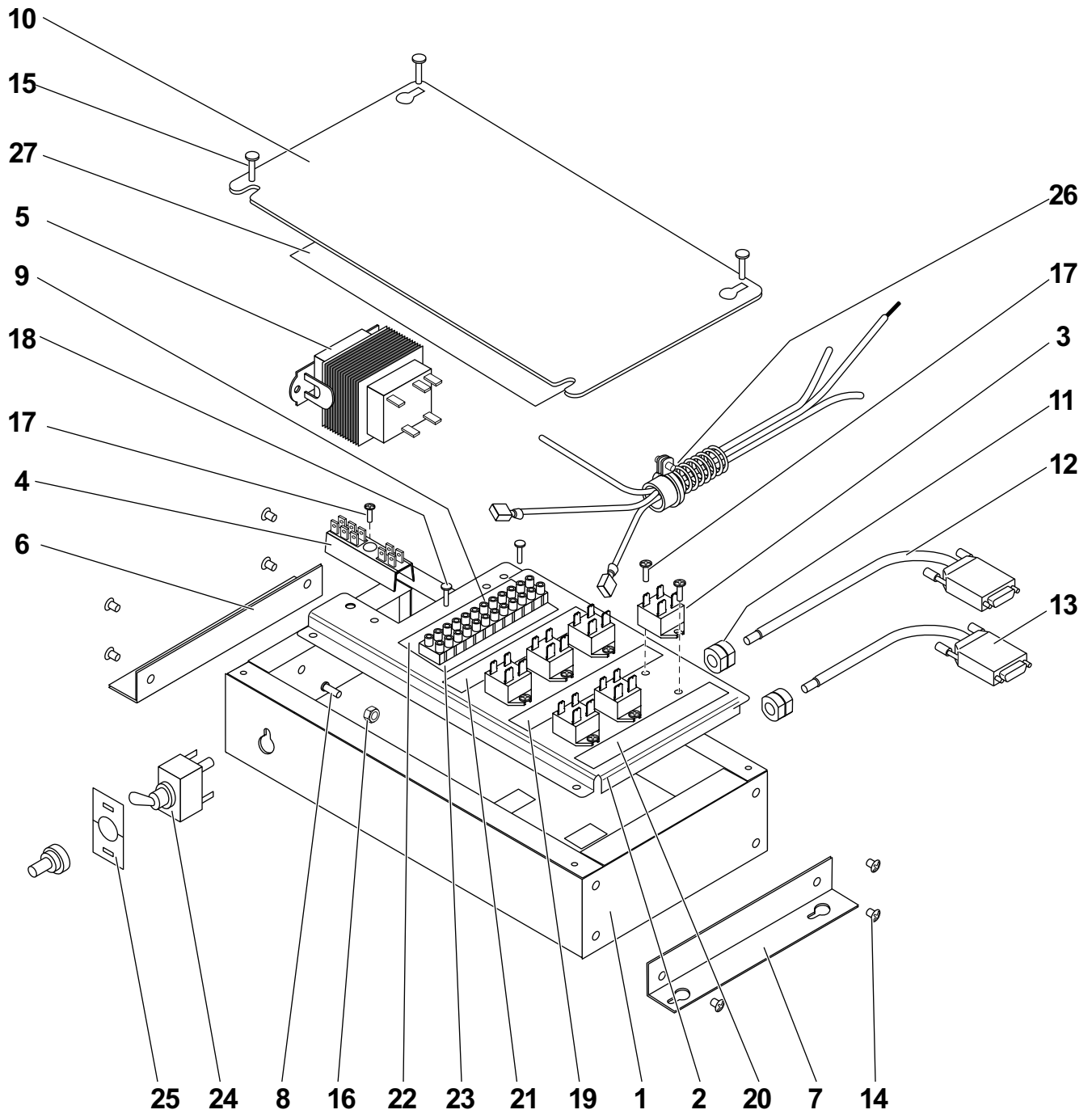


**DRY CHANNEL RELAY BOX**

ITEM	QTY.	PART NO.	DESCRIPTION
1	1	553075	Box, Relay with Switch
2	1	553154	Plate, Relay Mounting
3	6	<a href="#">218828</a>	Relay, Mini No 20A-240V-24V
4	1	218817	Label, Relay Box
5	13	213032	Screw 8 X 1/2" TEK PHIL
6	1	<a href="#">553466</a>	Switch, Lighted, DPST 16GA @ 125V
7	1	<a href="#">218829</a>	Transformer, 208/240V Pri, 24V Sec
8	1	213403	Stud PEM 8-32 X 1/2" SS
9	1	<a href="#">147351</a>	Nut Hex 8-32 HZ-T KEPS
10	1	171215	Conduit, Assembly Power Supply
11	1	213216	Nutsert, ALM 832-80
12	1	218805	Terminal Block
13	1	171171SED	Top, Relay Box
14	1	218819	Wiring Diagram
15	1	218820	Label, Relays
16	1	<a href="#">404886</a>	8-32 X 1/2" RD HD PHIL SS
17	2	218830	Hardware, Connector
18	1	<a href="#">218875</a>	Harness, DSUB Relay (No Longer Available)
19	1	553202	Angle, Mounting Bracket, Left
20	1	553203	Angle, Mounting Bracket, Right
Not Shown	1	218812	Harness, Terminal Block
Not Shown	1	<a href="#">553385</a>	Complete Wire Harness Kit – Models with Serial Numbers Prior to 11070000
Not Shown	1	<a href="#">218911</a>	Harness, Wire Heater Assembly
Not Shown	1	<a href="#">553386</a>	Complete Wire Harness Kit – Models with Serial Numbers Prior to 04070000

Note: HDC4 and HDC6 modules require two Relay Boxes.

### DRY CHANNEL RELAY BOX ASSEMBLY REV 5.1

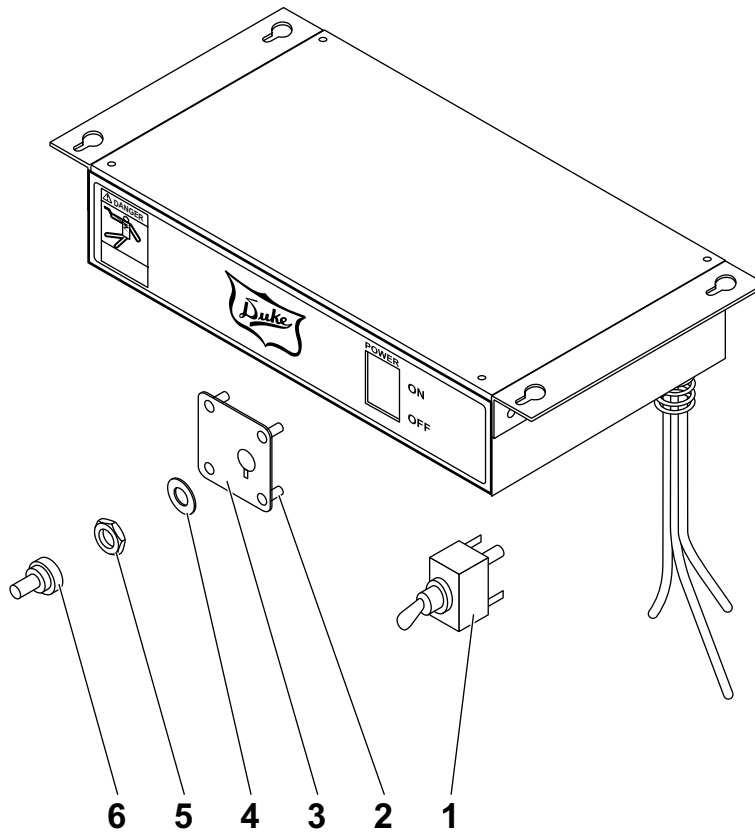


**DRY CHANNEL RELAY BOX ASSEMBLY REV 5.1**

ITEM	QTY.	PART NO.	DESCRIPTION
1	1	553286	Box, Relay with Switch
2	1	553256	Plate, Relay Mounting
3	6	<a href="#">218828</a>	Relay, Mini No 20A-240V-24V
4	1	218805	Terminal Block
5	1	<a href="#">218829</a>	Transformer, 208/240V Pri, 24V Sec
6	1	553202	Angle, Mounting Bracket, Left
7	1	553203	Angle, Mounting Bracket, Right
8	1	213403	Stud, PEM, 8-32 X 1/2", SS
9	1	218902	Barrier Strip
10	1	553257	Top, Relay Box
11	2	218904	Bushing, HEYCO 1217
12	1	<a href="#">218918</a>	Harness, HD15 for RTD's Dry Channel Hardware
13	1	<a href="#">218917</a>	Harness, DSUB9/Relays for Dry Channel Hardware
	1	<a href="#">228822</a>	Harness, Relay 6 Channel Single Zone Unit
14	12	213166	Pop Rivet, 5/32 X 1/8 SS
15	4	213196	Screw, 8-32 X 1/2" PAN PHIL
16	4	<a href="#">147351</a>	Nut, Hex, 8-32 HZ-T KEPS
17	13	213032	Screw, 8 X 1/2" TEK PHIL
18	2	213427	Screw, 4-40 X 1/2" FPPH
19	1	218919	Label, Relay Wiring
20	1	218919	Label, Relay Wiring
21	1	218919	Label, Relay Wiring
22	1	218919	Label, RTD Color Code
23	1	218919	Label, RTD Numbers
24	1	<a href="#">553466</a>	Switch, Toggle, NKK, 25 Amp
25	1	553447	Plate, ON – OFF, 12MM
26	2	218946	Conduit, Assembly, Power Supply Relay Box, Hardwired
Not Shown	1	228883	Harness, Wire HDC Term. Block Hardware Single Zone
Not Shown	1	218819	Wiring Diagram

Note: HDC4 and HDC6 modules require two Relay Boxes.

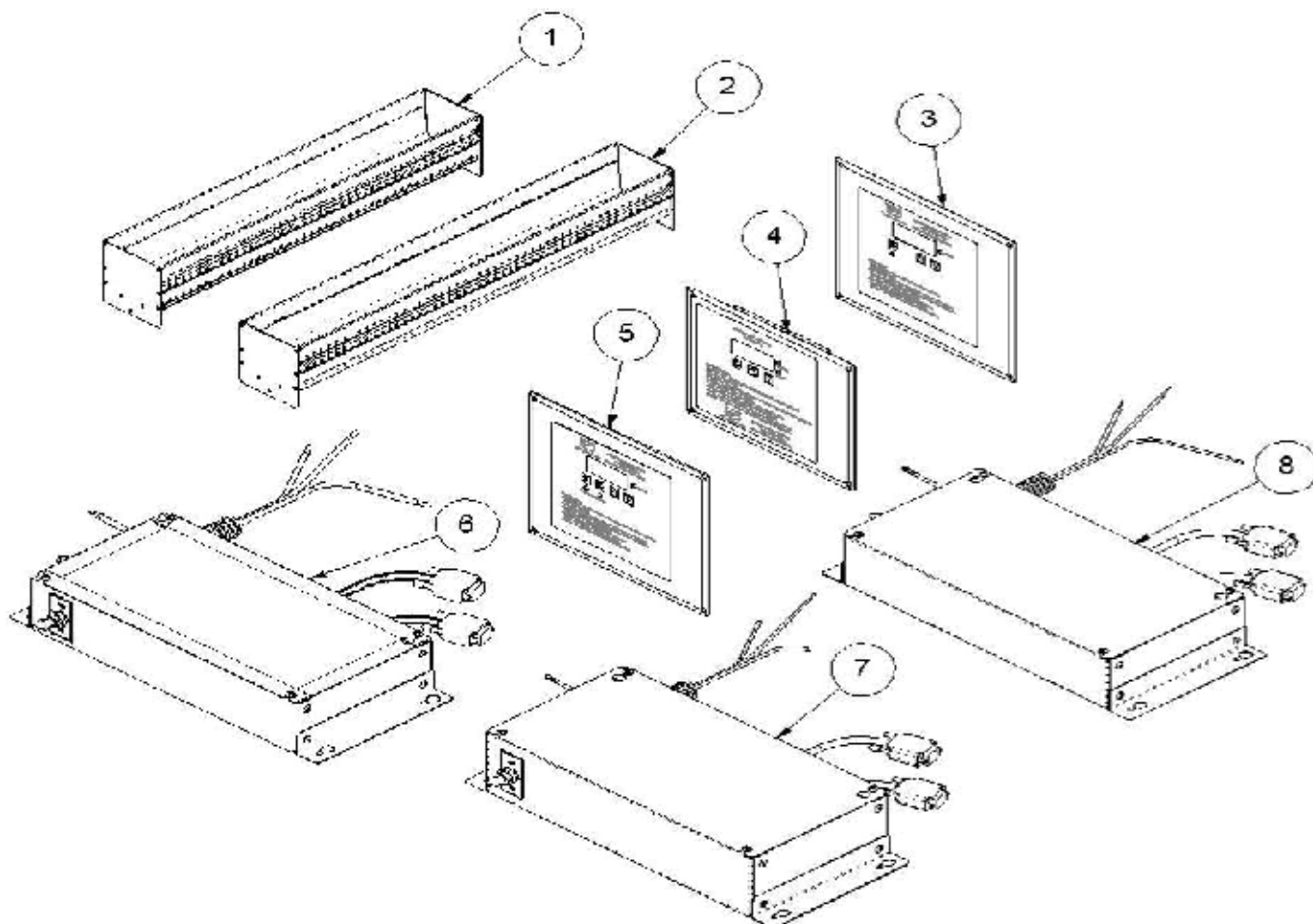
## RETROFIT TOGGLE SWITCH



ITEM	QTY.	PART NO.	DESCRIPTION
1	1	<a href="#">218963</a>	Switch, Toggle, NKK, 25 Amp
2	6	213403	Stud, PEM 8-32 x 1/2, SS
3	1	553319	Plate, Switch, Retrofit
4	1	None	Washer (Included w/Toggle Switch)
5	1	None	Nut, Hex Jam (Included w/Toggle Switch)
6	1	218964	Boot, Splashproof, for Toggle
Not Shown	1	<a href="#">553466</a>	Kit, Retrofit Toggle Switch

Note: HDC4 and HDC6 modules require two Retrofit Toggle Switches.

## CONTROLLER ASSEMBLY



ITEM	PART NO.	DESCRIPTION	HDC3	HDC4	HDC6
1	<a href="#">553290</a>	Kit, Dual Zone, HDC6 Center Channel Retrofit (Ref-553269)			X
2	<a href="#">553291</a>	Kit Dual Zone , HDC4 Center Channel Retrofit (Ref-553285)			X X
3	<a href="#">228888</a>	Control Board, Single Zone, 3 Channel	X		
4	<a href="#">553386</a>	Kit, Dual Zone Controller Retrofit (Ref-218880)	X	X	X
5	<a href="#">228881</a>	Control Board, Single Zone, 6 Channel			X
6	553443	Relay Box W/Switch, Single Zone, 3 Channel	X		
	553289	Relay Box W/Switch, Dual Zone, 4 Channel		X	
7	<a href="#">553444</a>	Relay Box W/Switch, Single Zone, 6 Channel			X
8	553484	Relay Box, No Switch, Hardwired, Single Zone, 3 Channel (1 Production Unit)	X		



*"Your Solutions Partner"*

## **Duke Manufacturing Co.**

**2305 N. Broadway • St. Louis, MO 63102**

**800.735.3853 • 314.231.1130**

**Fax: 314-231-5074**

**[www.dukemfg.com](http://www.dukemfg.com)**