

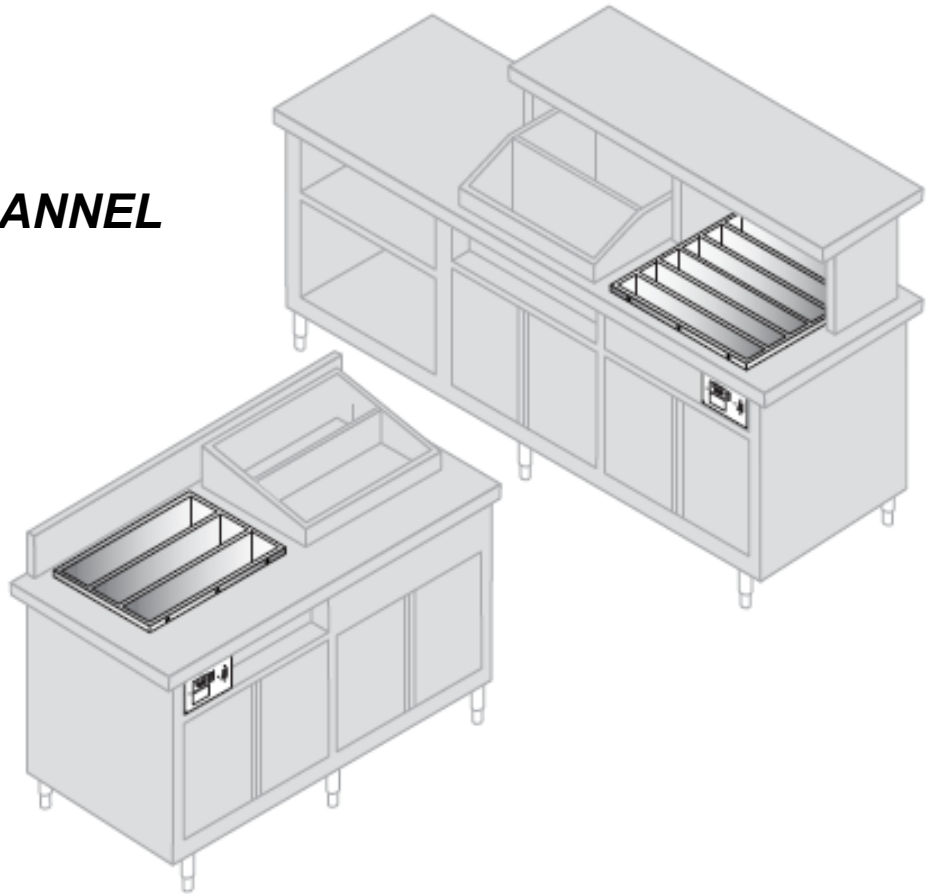


Your Solutions Partner

Illustrated Parts List

HEATED DRY CHANNEL

MODEL
HDC3/HDC6



*This manual is Copyright © 2019 Duke Manufacturing Co. All rights reserved.
Reproduction without written permission is prohibited. Duke is a registered
trademark of the Duke Manufacturing Co.*

Duke Manufacturing Co.

2305 N. Broadway • St. Louis, MO 63102

800.735.3853 • 314.231.1130

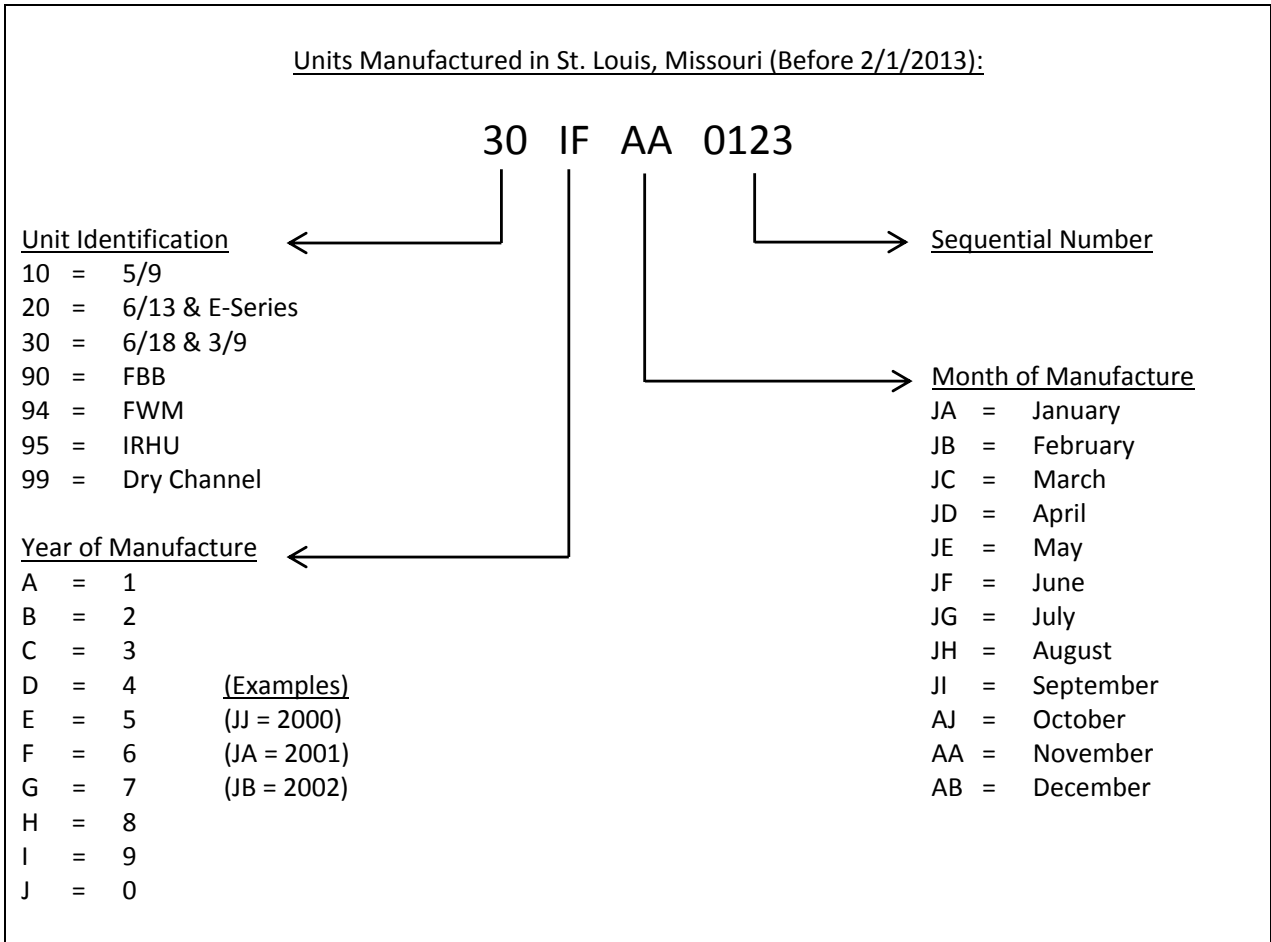
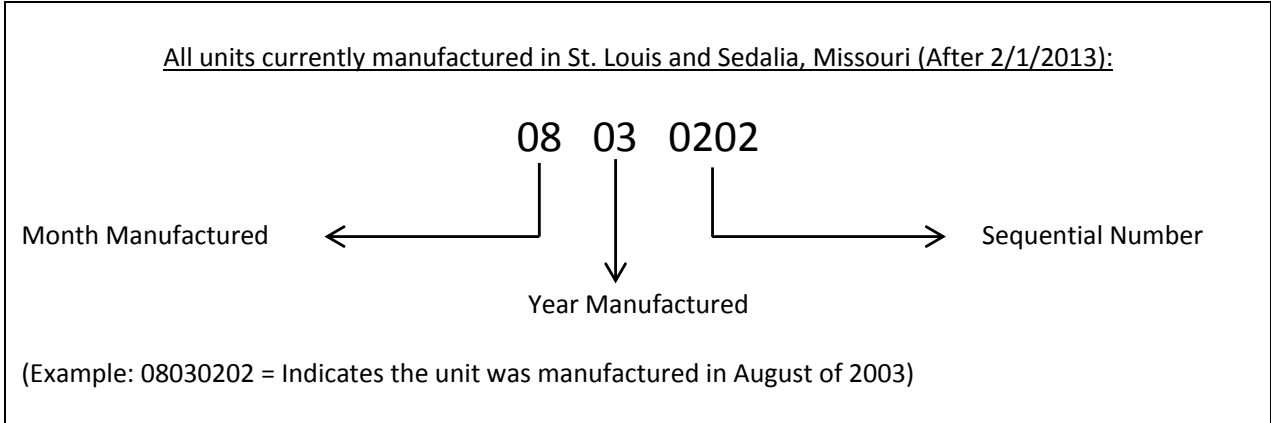
Fax: 314-231-5074

www.dukemfg.com

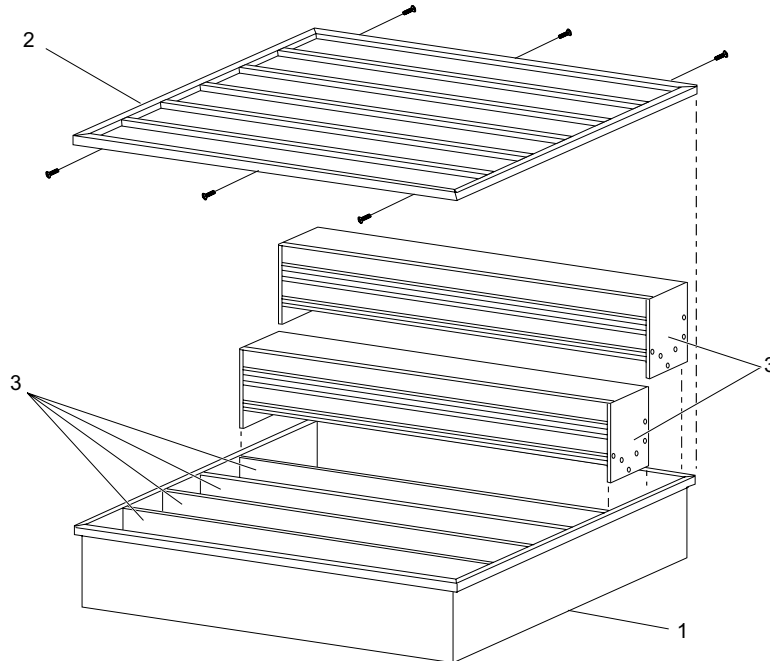
TABLE OF CONTENTS

HOW TO DETERMINE MANUFACTURE DATE FROM FROM DUKE EQUIPMENT'S SERIAL NUMBERS.....	3
TUB AND CHANNEL ASSEMBY	4
DRY CHANNEL CONTROL BOARD.....	5
DRY CHANNEL RELAY BOX.....	6
DRY CHANNEL RELAY BOX ASSEMBLY REV 5.1.....	8
RETROFIT TOGGLE SWITCH	10
CONTROLLER ASSEMBLY.....	11

How to Determine Manufacture Date from Duke Equipment Serial Numbers

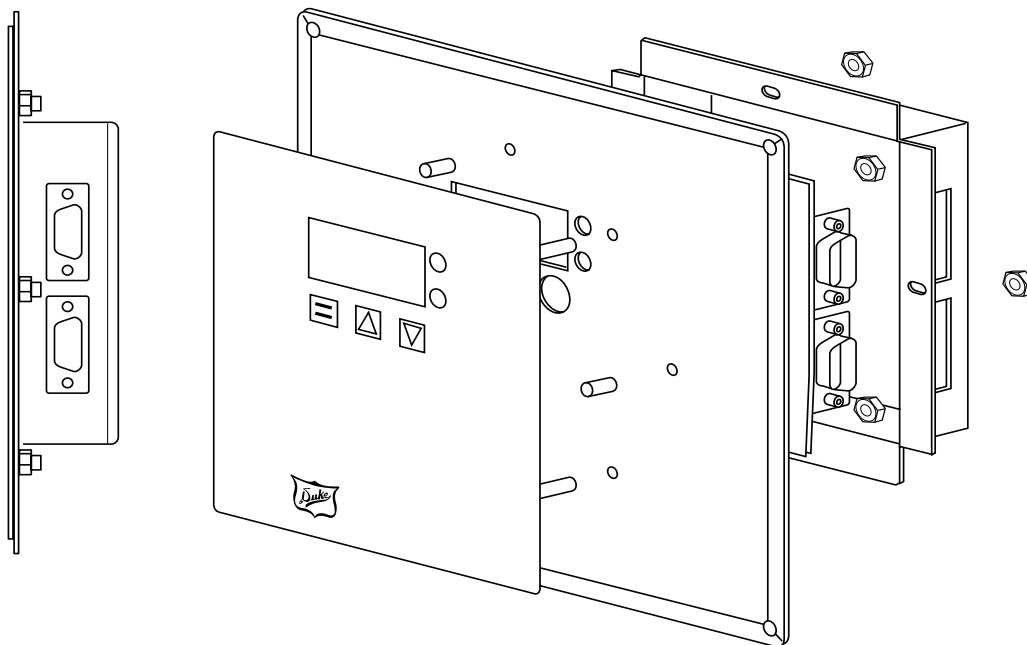


TUB AND CHANNEL ASSEMBLY



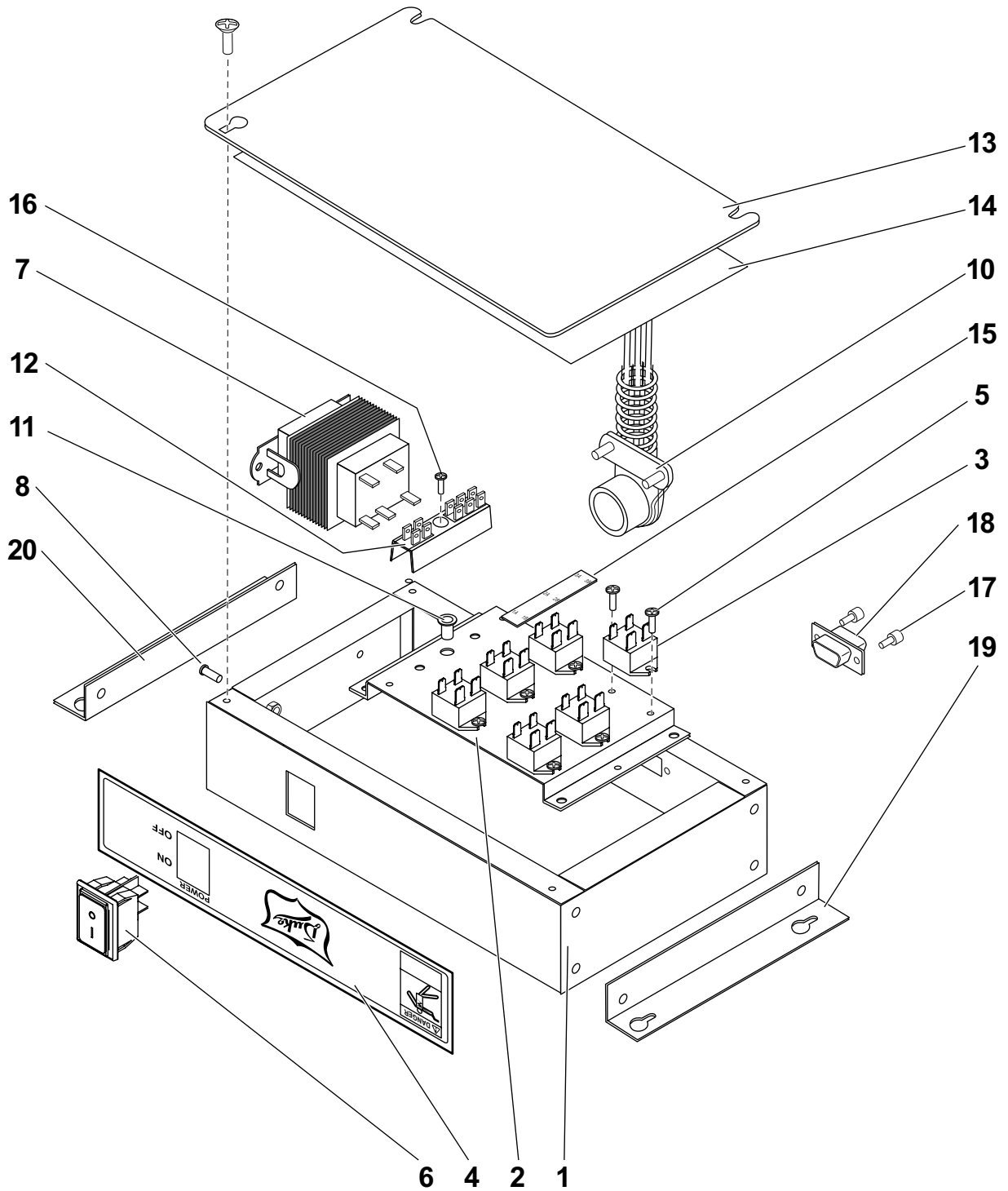
ITEM	PART NO.	DESCRIPTION	HDC3	HDC4	HDC6
1	553415	Tub Assy, 3 Channel, Single Zone, Dry Channel, Rev 6.1	X		
1	553459	Tub Assy, 3 Channel, Single Zone, Generic DC, Rev 5.1	X		
1	553262	Tub Assy, 4 Channel, Dual Zone, Dry Channel, Rev 5.1		X	
1	553263	Tub Assy, 6 Channel, Dual Zone, Dry Channel, Rev 5.1			X
1	553417	Tub Assy, 6 Channel, Single Zone, Dry Channel, Rev 6.1			X
1	553505	Tub Assy, 6 Channel, Single Zone, Generic DC, Rev 5.1			X
2	553411	Top, 3 Channel, Dry Channel	X		
2	553246	Top, 4 Channel, Dry Channel		X	
2	553412	Top, 6 Channel, Dry Channel			X
3	553414	Center Channel, Single Zone, 3/6 Dry Channel, Rev 6.1	X		X
3	553458	Generic Channel, Single Zone, 3/6 Dry Channel, Rev 5.1	X		X
3	553284	Front/Back Channel, Dual Zone, 4 Dry Channel, Rev 5.1		X	
3	553285	Center Channel, Dual Zone, 4 Dry Channel, Rev 5.1		X	
3	553268	Front/Back Channel, Dual Zone, 3/6 Dry Channel, Rev 5.1	X		X
3	553269	Center Channel, Dual Zone, 3/6 Dry Channel, Rev 5.1	X		X
3	553290	Kit, Dual Zone, HDC3/6 Center Channel Retrofit (Ref-553269)	X		X
3	553291	Kit, Dual Zone, HDC4 Center Channel Retrofit (Ref-553285)		X	
Not Shown	553510	Element Kit, 700W, Dual Zone, Rev 5.1 (218968 Element)	X		X
Not Shown	553546	Element Kit, 700W, Single Zone, Rev 5.1 & 6.1 (228809 Element)	X		X
Not Shown	553535	Element Kit, 850W, Dual Zone, Rev 5.1 (218969 Element)		X	
Not Shown	228930	Gasket, Dry Channel 3	X		
Not Shown	228931	Gasket, Dry Channel 6			X
Not Shown	553512	Kit, High Limit Replacement (Ref- 228808)	X	X	X
Not Shown	553511	Kit, RTD Replacement (Ref- 228807)	X	X	X
Not Shown	551148	Ground Bar	X	X	X
Not Shown	218985	Cable, Grounding	X	X	X

DRY CHANNEL CONTROL BOARD



PART NO.	DESCRIPTION
553386	KIT, CONTROLLER RETROFIT (<i>Ref-218880</i>)
228881	Control Board, Single Zone, 6 Channel
228888	Control Board, Single Zone, 3 Channel
553531	Kit, Mylar Replacement, Dual Zone Control Board (<i>Ref-228823</i>)
553532	Kit, Mylar Replacement, Single Zone Control Board, 3 Channel (<i>Ref-228824</i>)
553533	Kit, Mylar Replacement, Single Zone Control Board, 6 Channel (<i>Ref-228825</i>)

DRY CHANNEL RELAY BOX

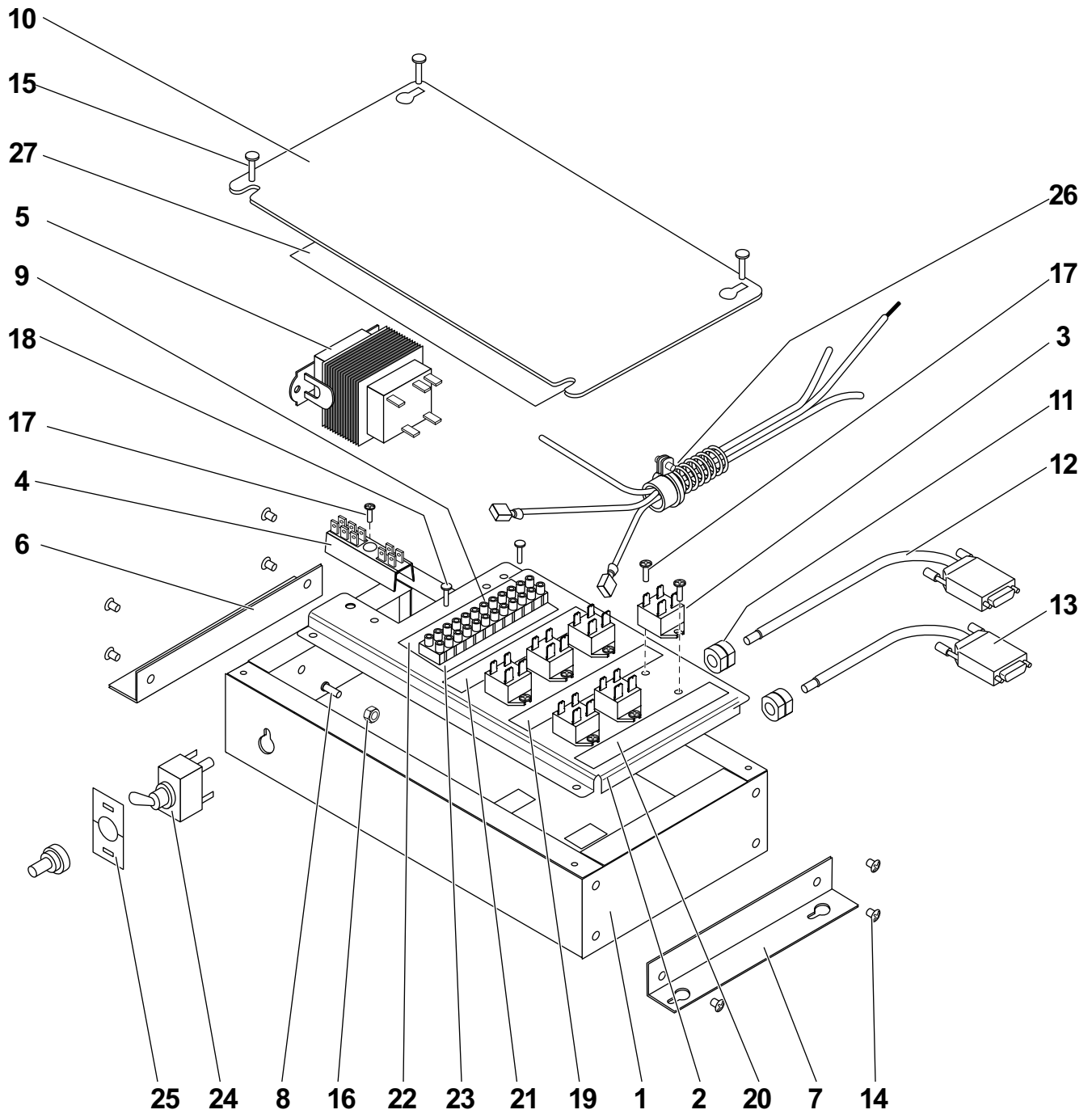


DRY CHANNEL RELAY BOX

ITEM	QTY.	PART NO.	DESCRIPTION
1	1	553075	Box, Relay with Switch
2	1	553154	Plate, Relay Mounting
3	6	218828	Relay, Mini No 20A-240V-24V
4	1	218817	Label, Relay Box
5	13	213032	Screw 8 X 1/2" TEK PHIL
6	1	553466	Switch, Lighted, DPST 16GA @ 125V
7	1	218829	Transformer, 208/240V Pri, 24V Sec
8	1	213403	Stud PEM 8-32 X 1/2" SS
9	1	147351	Nut Hex 8-32 HZ-T KEPS
10	1	171215	Conduit, Assembly Power Supply
11	1	213216	Nutsert, ALM 832-80
12	1	218805	Terminal Block
13	1	171171SED	Top, Relay Box
14	1	218819	Wiring Diagram
15	1	218820	Label, Relays
16	1	404886	8-32 X 1/2" RD HD PHIL SS
17	2	218830	Hardware, Connector
18	1	218875	Harness, DSUB Relay (No Longer Available)
19	1	553202	Angle, Mounting Bracket, Left
20	1	553203	Angle, Mounting Bracket, Right
Not Shown	1	218812	Harness, Terminal Block
Not Shown	1	553385	Complete Wire Harness Kit – Models with Serial Numbers Prior to 11070000
Not Shown	1	218911	Harness, Wire Heater Assembly
Not Shown	1	553386	KIT, CONTROLLER RETROFIT (<i>Ref-218880</i>)

Note: HDC4 and HDC6 modules require two Relay Boxes.

DRY CHANNEL RELAY BOX ASSEMBLY REV 5.1

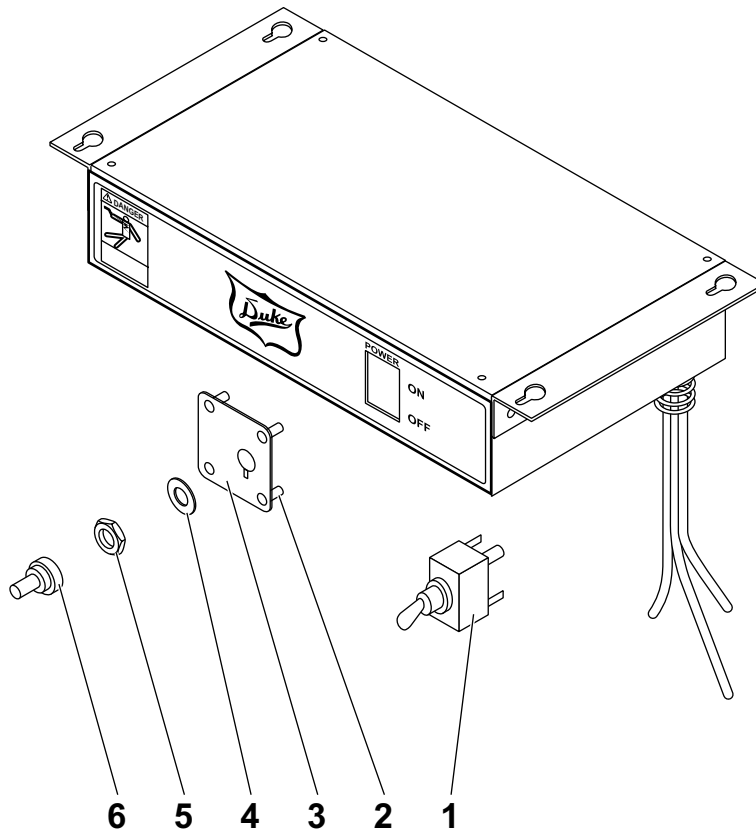


DRY CHANNEL RELAY BOX ASSEMBLY REV 5.1

ITEM	QTY.	PART NO.	DESCRIPTION
1	1	553286	Box, Relay with Switch
2	1	553256	Plate, Relay Mounting
3	6	218828	Relay, Mini No 20A-240V-24V
4	1	218805	Terminal Block
5	1	218829	Transformer, 208/240V Pri, 24V Sec
6	1	553202	Angle, Mounting Bracket, Left
7	1	553203	Angle, Mounting Bracket, Right
8	1	213403	Stud, PEM, 8-32 X 1/2", SS
9	1	218902	Barrier Strip
10	1	553257	Top, Relay Box
11	2	218904	Bushing, HEYCO 1217
12	1	218918	Harness, HD15 for RTD's Dry Channel Hardware
13	1	218917	Harness, DSUB9/Relays for Dry Channel Hardware
	1	228822	Harness, Relay 6 Channel Single Zone Unit
14	12	213166	Pop Rivet, 5/32 X 1/8 SS
15	4	213196	Screw, 8-32 X 1/2" PAN PHIL
16	4	147351	Nut, Hex, 8-32 HZ-T KEPS
17	13	213032	Screw, 8 X 1/2" TEK PHIL
18	2	213427	Screw, 4-40 X 1/2" FPPH
19	1	218919	Label, Relay Wiring
20	1	218919	Label, Relay Wiring
21	1	218919	Label, Relay Wiring
22	1	218919	Label, RTD Color Code
23	1	218919	Label, RTD Numbers
24	1	553466	Switch, Toggle, NKK, 25 Amp
25	1	553447	Plate, ON – OFF, 12MM
26	2	218946	Conduit, Assembly, Power Supply Relay Box, Hardwired
Not Shown	1	228883	Harness, Wire HDC Term. Block Hardware Single Zone
Not Shown	1	218819	Wiring Diagram

Note: HDC4 and HDC6 modules require two Relay Boxes.

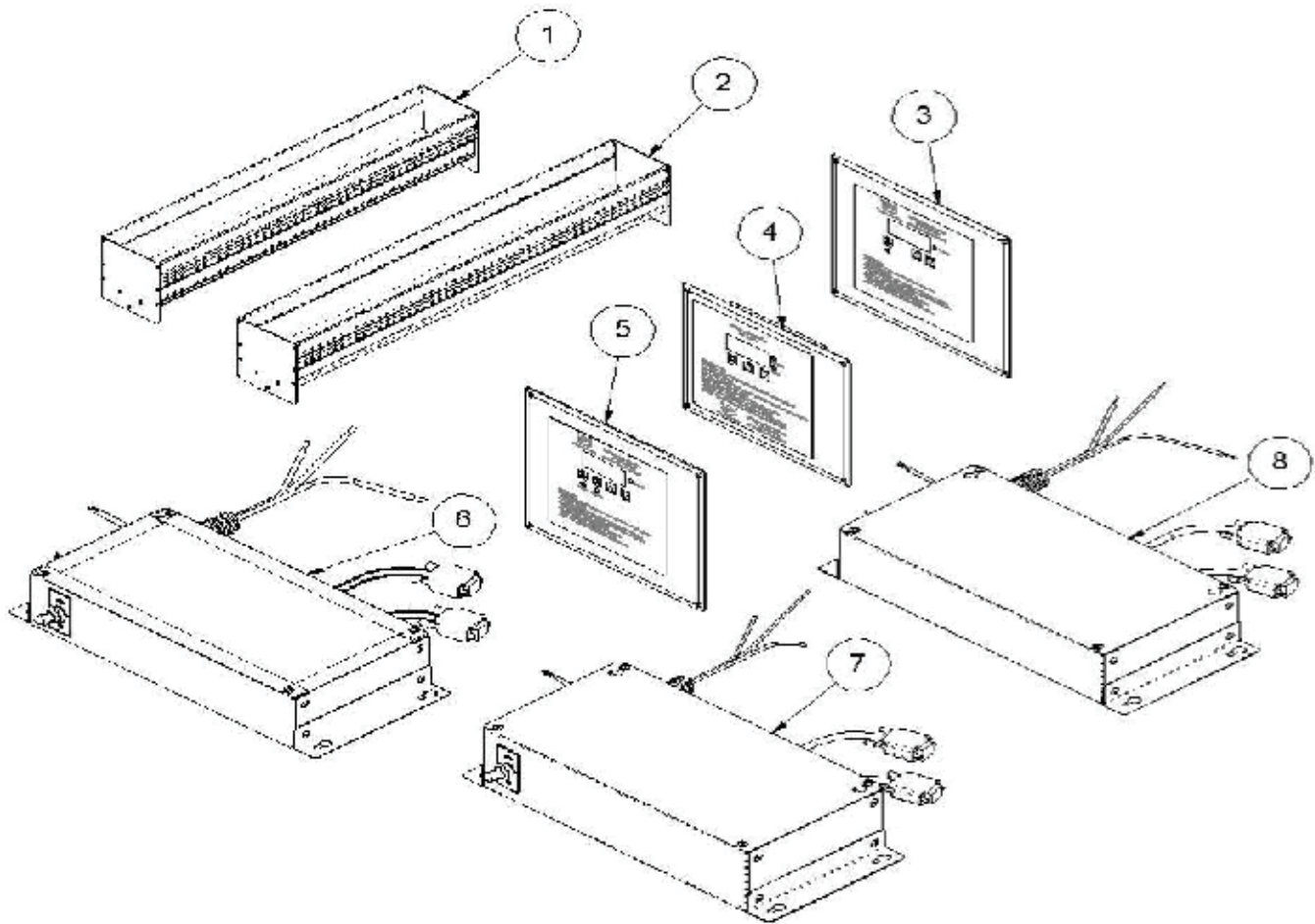
RETROFIT TOGGLE SWITCH



ITEM	QTY.	PART NO.	DESCRIPTION
1	1	218963	Switch, Toggle, NKK, 25 Amp
2	6	213403	Stud, PEM 8-32 x 1/2, SS
3	1	553319	Plate, Switch, Retrofit
4	1	None	Washer (Included w/Toggle Switch)
5	1	None	Nut, Hex Jam (Included w/Toggle Switch)
6	1	218964	Boot, Splashproof, for Toggle
Not Shown	1	553466	Kit, Retrofit Toggle Switch

Note: HDC4 and HDC6 modules require two Retrofit Toggle Switches.

CONTROLLER ASSEMBLY



ITEM	PART NO.	DESCRIPTION	HDC3	HDC4	HDC6
1	553290	Kit, Dual Zone, HDC6 Center Channel Retrofit (Ref-553269)			X
2	553291	Kit Dual Zone , HDC4 Center Channel Retrofit (Ref-553285)			X X
3	228888	Control Board, Single Zone, 3 Channel	X		
4	553386	KIT, CONTROLLER RETROFIT (Ref-218880)	X	X	X
5	228881	Control Board, Single Zone, 6 Channel			X
6	553443	Relay Box W/Switch, Single Zone, 3 Channel	X		
	553289	Relay Box W/Switch, Dual Zone, 4 Channel		X	
7	553444	Relay Box W/Switch, Single Zone, 6 Channel			X
8	553484	Relay Box, No Switch, Hardwired, Single Zone, 3 Channel (1 Production Unit)	X		



Duke Manufacturing Co.

2305 N. Broadway • St. Louis, MO 63102

800.735.3853 • 314.231.1130

Fax: 314-231-5074

www.dukemfg.com