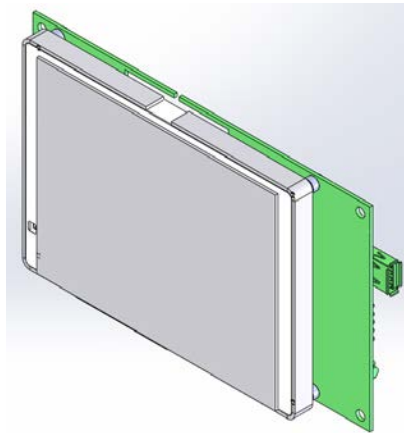




Your Solutions Partner

# INSTALLATION INSTRUCTIONS

## TSC - BROILER MAIN CONTROL MODULE REPLACEMENT INSTRUCTIONS FOR DUKE KIT# 600422



This kit contains:

- ELC0014-4 MAIN CONTROL MODULE Board, Broiler TSC
- 512418 Strap, Disposable Wrist

Items required for this installation:

- #2 Phillips Screw Driver
- 11/32" Nut driver
- ESD Wrist Strap (included in kit)

---

*This manual is Copyright © 2017 Duke Manufacturing Co. All rights reserved.  
Reproduction without written permission is prohibited. Duke is a registered  
Trademark of the Duke Manufacturing Co.*

### Duke Manufacturing Co.

2305 N. Broadway  
St. Louis, MO 63102  
Phone: 314-231-1130  
Toll Free: 1-800-735-3853  
Fax: 314-231-5074

[www.dukemfg.com](http://www.dukemfg.com)

## TSC – BROILER CONTROLS MAIN CONTROL MODULE REPLACEMENT

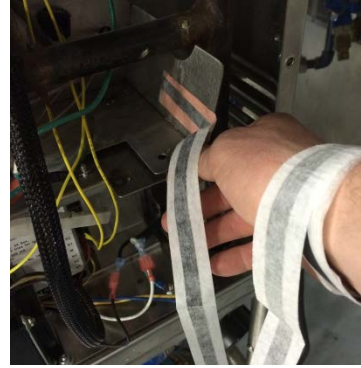
1. Verify the MAIN CONTROL MODULE board requires replacement prior to proceeding. Reference Service Manual Troubleshooting Guide.
2. Verify recipe settings (recipe names and set points) with store staff prior to replacement. Record recipe setting for reference to reprogram any variance in recipes names and set points on the new control after replacement.
3. Turn off the unit's Power Switch on the lower right side of the Broiler's body

**NOTE:** The MAIN CONTROL MODULE board is 12VDC supplied only and is isolated from dangerous or high voltages by inner safety cover inside the controls cavity behind the exterior controls panel.

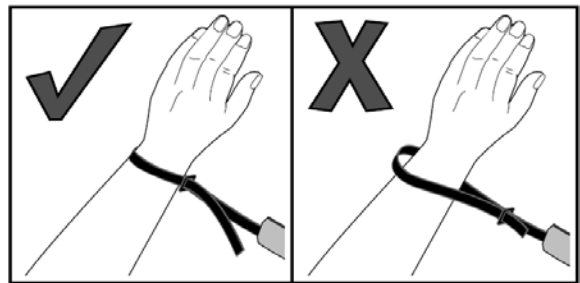
4. Disconnect Broiler power cord from electrical outlet.
5. Remove the 4 hex screws holding the Duke Visor touch screen and remove it from the Broiler using an 11/32" nut driver.



6. Connect ESD Wrist strap to Unit in location shown below.



7. Place ESD strap on wrist and tighten. Strap must be tight around wrist to be effective.



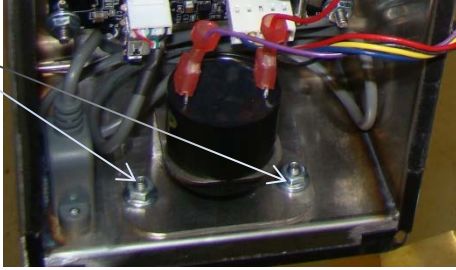
8. Located on the back side of the Duke Visor touch screen is the MAIN CONTROL MODULE.



9. Remove the 2 hex screws holding the buzzer using an 11/32" nut driver.

## TSC – BROILER CONTROLS MAIN CONTROL MODULE REPLACEMENT

**REMOVE**



10. Remove both connectors on the MAIN CONTROL MODULE.



**REMOVE**

11. Remove the 4 hex screws holding the MAIN CONTROL MODULE in place.



**REMOVE**

12. Using proper ESD procedures, remove the replacement MAIN CONTROL MODULE board from the shipping box. Visually inspect the new MAIN CONTROL MODULE board for damage. If damage is identified, do not install the new control and immediately contact Duke Service Department for instruction.

13. Remove the prior/ damaged MAIN CONTROL MODULE from the mounting studs. Install the new replacement MAIN CONTROL MODULE as well as the revision label.

ATTACH TO SHEET METAL ON FINAL INSTALL LOCATION.

AREA TO BE MARKED WITH THE CURRENT REVISION LEVEL OF THIS ASSEMBLY WITH A PERMANENT INDELIBLE MARKER.

PN 176800 REV.

14. Verify all removable components/ fasteners are secure.
15. Reprogram recipe settings, any fine cooking adjustments, and any other settings that have been verified with store staff in step 2 onto the replacement board.
16. Repack the prior/ damaged MAIN CONTROL MODULE in the ship packaging for return shipment to Duke Manufacturing.
17. Remove the ESD Wrist Strap.



*Your Solutions Partner*

**Duke Manufacturing Co.**

2305 N. Broadway  
St. Louis, MO 63102  
Phone: 314-231-1130  
Toll Free: 1-800-735-3853  
Fax: 314-231-5074

[www.dukemfg.com](http://www.dukemfg.com)