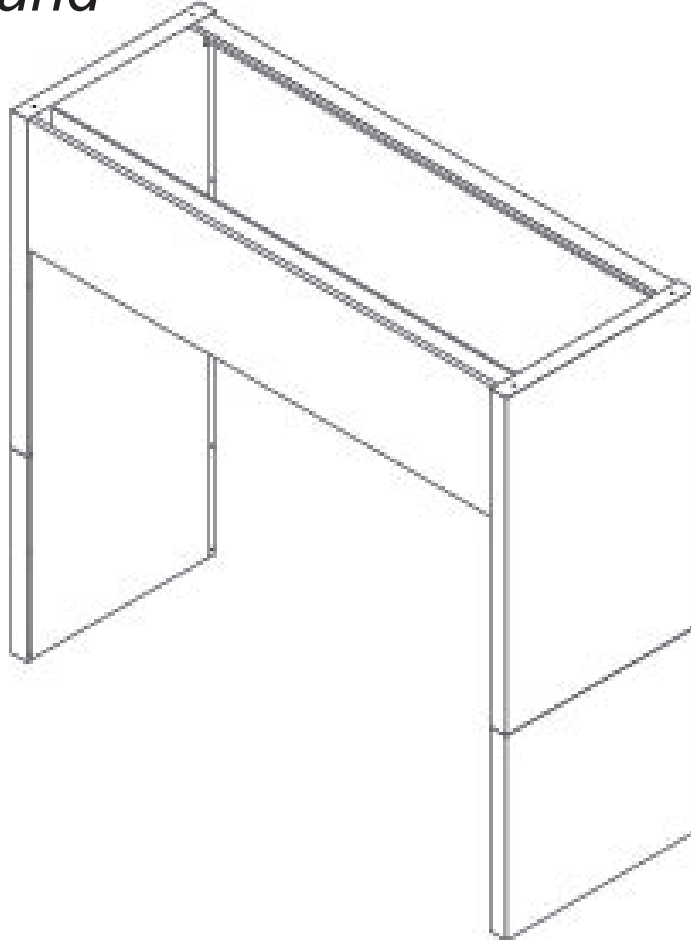




Your Solutions Partner

Installation Manual

Beverage Surround



Please read this manual completely before attempting to install, operate or service this equipment

This manual is Copyright © 2017 Duke Manufacturing Co. All rights reserved. Reproduction without written permission is prohibited. Duke is a registered trademark of the Duke Manufacturing Co.



To view a video
Scan the QR
code above

Duke Manufacturing Co.

2305 N. Broadway
St. Louis, MO 63102
Phone: 314-231-1130
Toll Free: 1-800-735-3853
Fax: 314-231-5074

www.dukemfg.com/subway

P/N 529050
REV C Date 10/12/2017

TABLE OF CONTENTS

Safety Instructions	3
Tools Hardware and Parts.....	4
Installation Instructions	5
• Step 1 - Removal of Laminate Sides.....	5
• Step 2 - Align Unit	5
• Step 3 - Attach Side Panels.....	6
• Step 4 - Installation Top Rails.....	6
• Step 5 - Installation Front Panel	7
• Step 6 - Installation Egg Crate.....	7
Notes.....	8



IMPORTANT SAFETY INSTRUCTIONS

Throughout this manual, you will find the following safety words and symbols that signify important safety issues with regards to operating or maintaining the equipment.



Indicates a hazardous situation which, if not avoided, could result in minor or moderate injury.



Indicates Important Information



Indicates electrical shock hazard which, if not avoided, could result in death or serious injury and/or equipment damage.

In addition to the warnings and cautions in this manual, use the following guidelines for safe operation of the unit.

- Read all instructions before using equipment.
- Install or locate the equipment only for its intended use as described in this manual.
- Do not use corrosive chemicals in this equipment.
- This equipment should be serviced by qualified personnel only. Contact the nearest Duke authorized service facility for adjustment or repair.
- Do not block or cover any openings on the unit.

The following warnings and cautions appear throughout this manual and should be carefully observed.

- The procedures in this manual may include the use of chemical products. You must read the Material Safety Data Sheets before using any of these products.
- Disposal of the unit must be in accordance with local environmental codes and/or any other applicable codes.
- This appliance is not intended for use by persons (including children) with reduced physical, sensory or mental capabilities, or lack of experience and knowledge, unless they have been given supervision or instruction concerning use of the appliance by a person responsible for their safety.



Tools, Hardware and Parts

Tools Needed not included

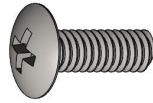


Phillips Screwdriver

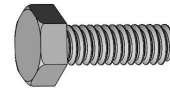


Level

Hardware Included



213027 Screw, Phillips 10/24 x 1/2" 10ea.

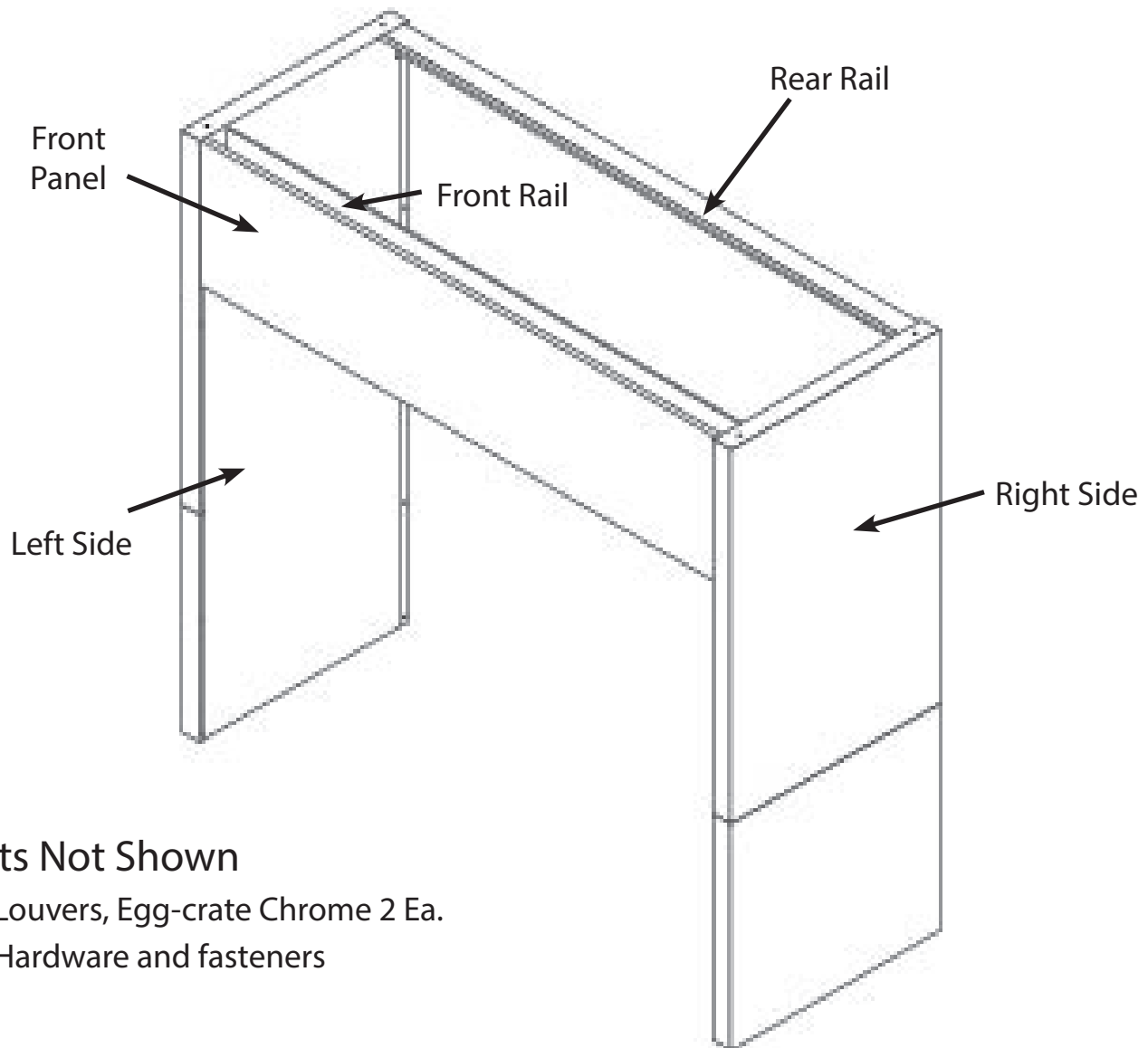


213014 Hex Screw 10/24X 1/2" 10ea.



213091 Thumb Screw 10/24X 3/8" 2ea.

Parts Included



Parts Not Shown

Louvers, Egg-crate Chrome 2 Ea.
Hardware and fasteners



Your Solutions Partner

Beverage Destination Surround Installation



Check soffit height before beginning. Soffit must be minimum of 96" From finished floor to bottom of finished soffit.



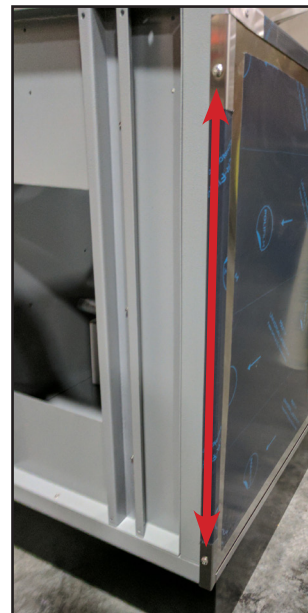
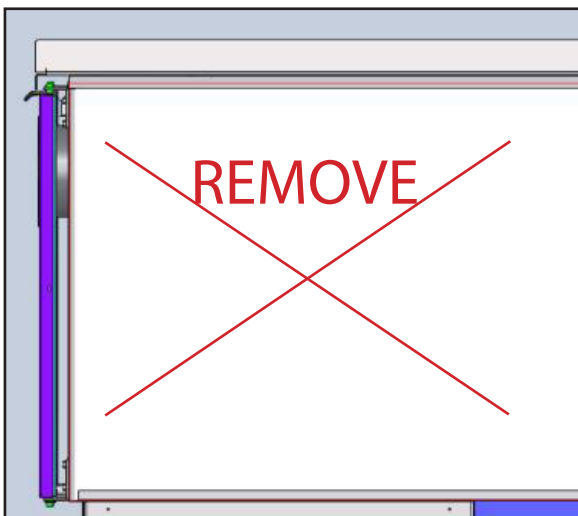
This installation to be performed with a minimum of two persons.

Step 1 - Removal of Laminate Sides - If retrofit

Remove the laminate on both ends of beverage destination counter.

- A. Remove the screws from the back trim.
- B. Remove the trim piece.
- C. Remove the laminate.
- D. Reinstall the trim piece.

Repeat for other side.

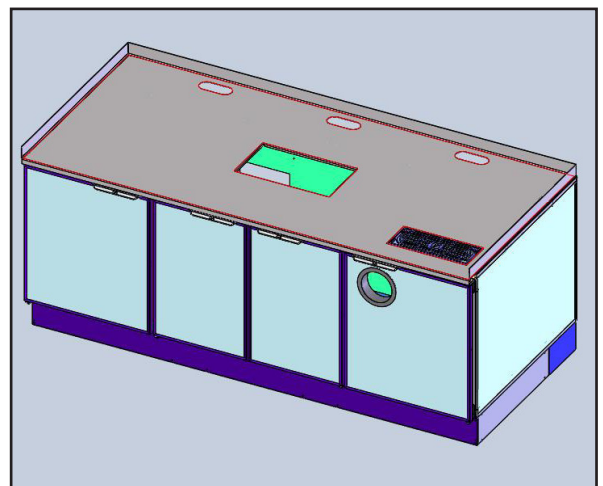


Step 2 Unit Alignment

- Align the beverage unit with the wall where it will be installed along with the panels for the surround.

Note: Do not push up against the wall at this time.

Make sure unit is level.



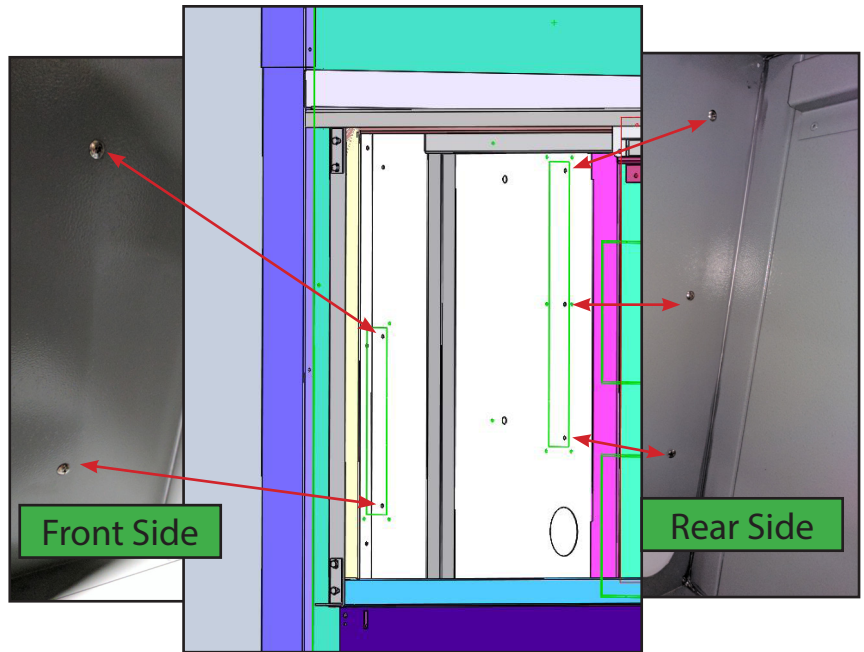
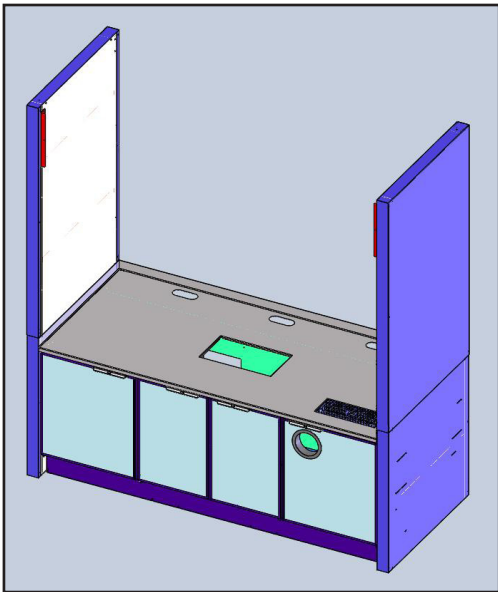
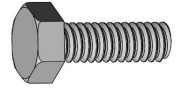
Surround Installation- continued

Step 3 Attach Side Panels

Line up the side of the surround with the proper side of the unit. Align the surround panel with holes on inside of beverage counter and attach from the inside using bolts provided.

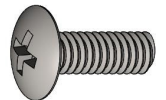
(2) on the front edge (3) on the rear edge See detail below

Repeat for opposite side.

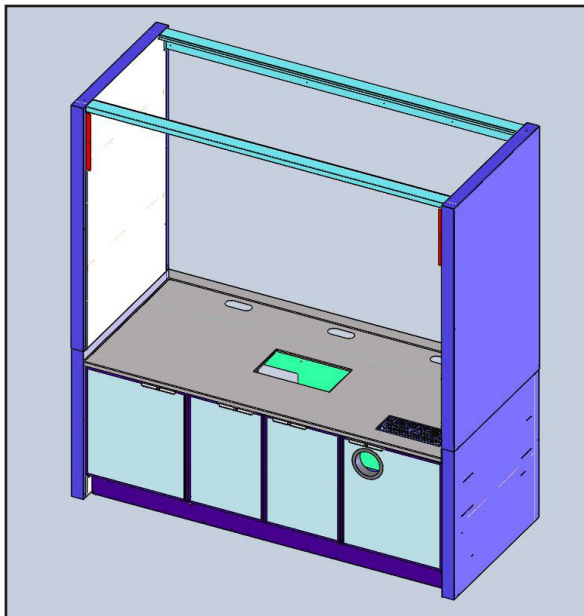


Step 4 Installation Top Rails

Install the top front and back rails to the surround. Using 2 screws at each end on the front Rail and 3 screws at each end on the rear rail. Front rail shown below.



Note: Add any beverage equipment requiring hoses through the unit as the beverage station should next be pushed into place along the wall.



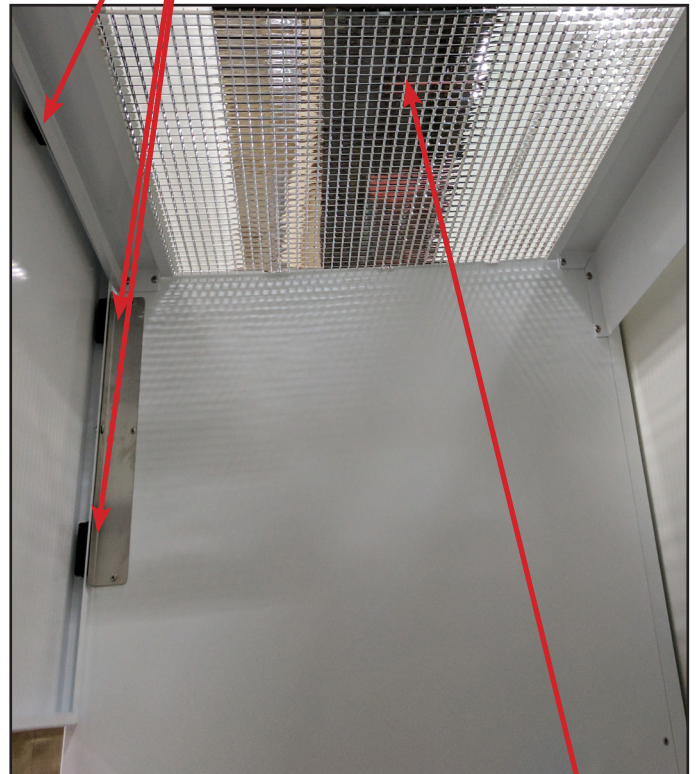
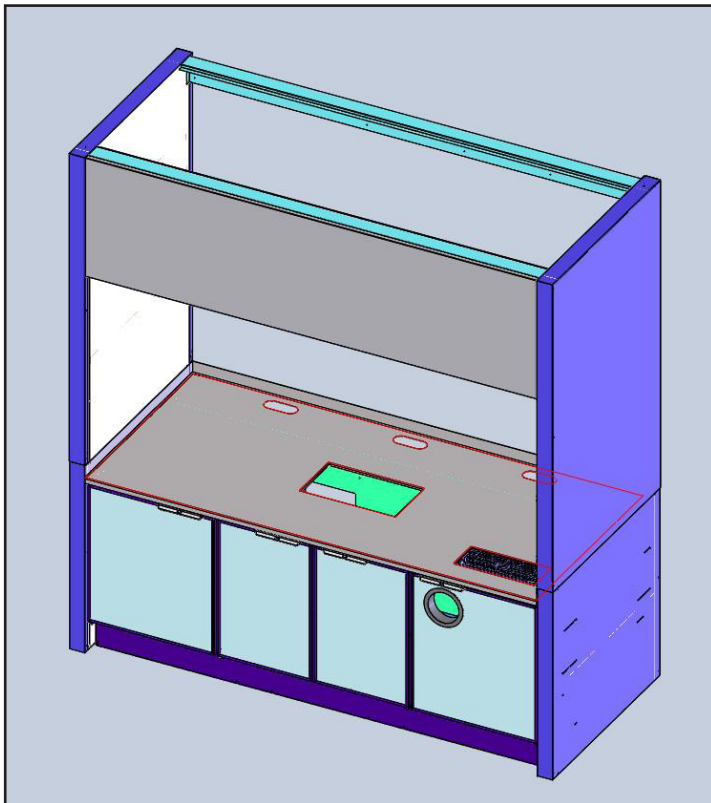
Your Solutions Partner

Surround Installation- continued

Note: Large equipment should be finished with installation before the placement of the front panel.

Step 5 Installation of Front Panel

Add the surround front panel using the magnets in the panel to help hold. Secure to the angle mounts on each side using thumb screws provided.



Step 6 Installation of Egg Crate
Place the Egg Crate at both ends in top of unit.



NOTES



Your Solutions Partner

Duke Manufacturing Co.

2305 N. Broadway

St. Louis, MO 63102

Phone: 314-231-1130

Toll Free: 1-800-735-3853

Fax: 314-231-5074

www.dukemfg.com