

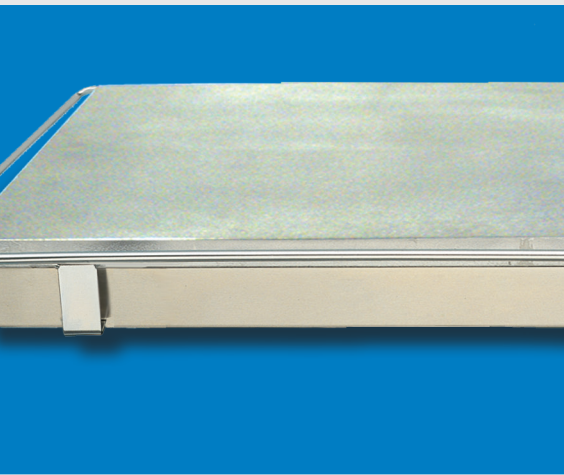
# Operations Manual

Model: TWE1337TBEB

Tortilla Warming Flat Grill



# TACO BELL<sup>®</sup>



## PROGRILL<sup>™</sup>



# PROLUXE<sup>™</sup>



formerly DOUGHPRO. New Name. Same Quality. Superior Service.

[proluxe.com](http://proluxe.com)

## **CLEANING**

Use only cleaners which are safe for **ALUMINUM**. **DO NOT** use caustic cleaners, ice or cold water to clean the grill. Turn grill down or OFF during idle periods to prevent carbon buildup.

1. Turn power off and unplug, allow grill to cool.
2. Remove particles by using a spatula with rounded corners.
3. Wipe down all surfaces using a warm damp cloth and mild detergent.

## **CARBON CLEANING**

When carbon buildup occurs, use a carbon removal agent which is safe for aluminum, follow the instructions provided with the product. When this process is complete, you must re-season your grill.

## **INITIAL START UP**

Before using the unit for the first time, wipe down the exterior and platen area with a damp cloth.

Heat for approximately 30 minutes. The warmer may emit a small amount of smoke as the cooking surface reaches its operating temperature. This is normal, as the smoke is caused by oils associated with the manufacturing process and will stop when the burn off is complete. Brush off any debris from the warming surface.

## **SEASONING THE TORTILLA GRILL HEATING SURFACE**

### **FIRST TIME SEASONING**

Follow your company/corporate guidelines for seasoning cooking surfaces or perform the following:

1. Bring the grill to 300°F (148°C) and leave it on while performing the next three steps.
2. Brush the cooking surfaces with a release agent. If using an aerosol agent, first apply into a cup and then brush onto cooking surface.
3. Let sit for 20 minutes.
4. Wipe the cooking surface clean, using a warm damp cloth.

### **\*Warning\***

**DO NOT SUBMERGE IN WATER OR ALLOW WATER TO SPILL INTO THE ELECTRICAL HOUSING. AS THIS WILL VOID WARRANTY AND DAMAGE THE UNIT.**

**\*Caution** - To reduce the risk of fire, the appliance is to be installed in non-combustible surroundings only, with no combustible material within 18 inches of the sides, front, or rear of the appliance or within 40 inches above the appliance. The appliance is to be mounted on floors of noncombustible construction with noncombustible flooring and surface finish and with no combustible material against the underside, or on noncombustible slabs or arches have no combustible material against the underside. Such construction shall in all cases extend not less than 12 inches beyond the equipment on all sides.

## TW2023&TW2540 Recommended Cleaning Procedures

**DO NOT use ice or cold water to cool unit down.**

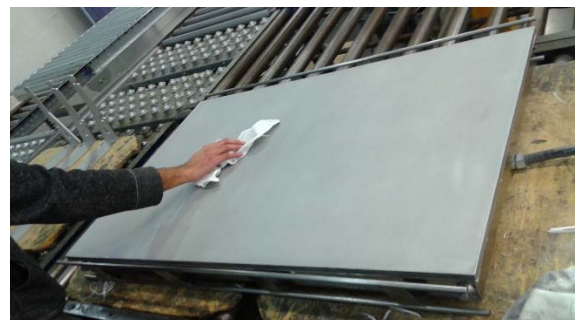
**This causes the platens to warp.**

TOOLS REQUIRED: 1. Spatula w/ rounded corners 2. Damp Washcloth 3. Griddle cleaner



1. Turn off grill and allow to cool down.

2. Apply small amount of cleaner to grill surface



3. Use spatula w/ round edges to remove particles

4. Use warm damp cloth to wipe grill surface.



## TWE1337TBEB Proluxe Grill Mounting Instructions

### HARDWARE USED:

#### MOUNTING BRACKET AND HANGER RAIL ASSEMBLY

<u>QTY</u>	<u>HARDWARE</u>
4	<a href="#">BH14202S</a> : ¼" -20 x 2" Stainless Steel Hex Bolt
8	WSAE14S: ¼" Stainless Steel Washer
4	WL14S: ¼" Stainless Steel Lock Washer
4	<a href="#">NH1420S</a> : ¼" Stainless Steel Hex Nut

#### ELECTRICAL BOX AND HANGER RAIL ASSEMBLY

<u>QTY</u>	<u>HARDWARE</u>
2	SP832134S 1 ¾" Stainless Steel Phillips Pan Head Screw
4	WSAE8S: #8 Stainless Steel Washer
2	<a href="#">WL8S</a> : #8 Stainless Steel Split Lock Washer
2	<a href="#">NH832S</a> : 8-32 Stainless Steel Hex Nut

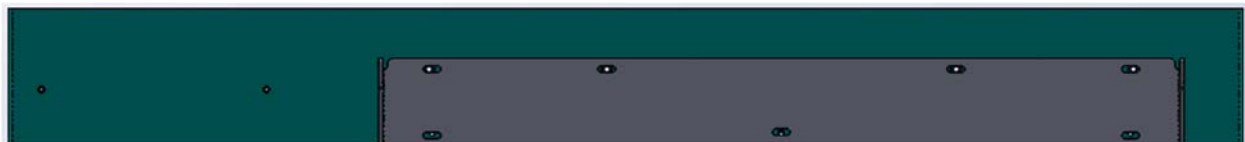
## INSTALLATION INSTRUCTIONS

**NOTE:** TWE1337TBEB comes assembled in right configuration. For a left configuration, follow the instructions under “Switching Burn Guard and Bracket Locations”

STEP ONE (1): Align the 4 upper slots of the mounting bracket with the 4 upper holes (0.25” diameter) of the hanger rail assembly as shown in figure 1.



*FIGURE 1.1: Right Configuration Shown*



*FIGURE 1.2: Left Configuration Shown*

STEP TWO (2): Install the hardware through the through the mounting bracket and hanger rail holes (x4) as shown in figure 2.

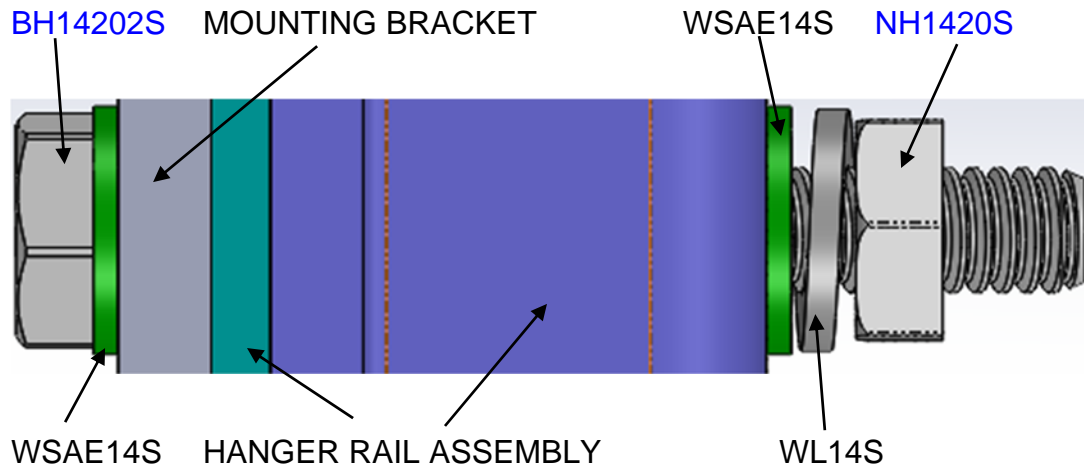


FIGURE 2:

STEP THREE (3): Align the holes of the electrical box with the smaller (0.17" diameter) holes of the hanger rail assembly as shown in figures 3.1 and 3.2.

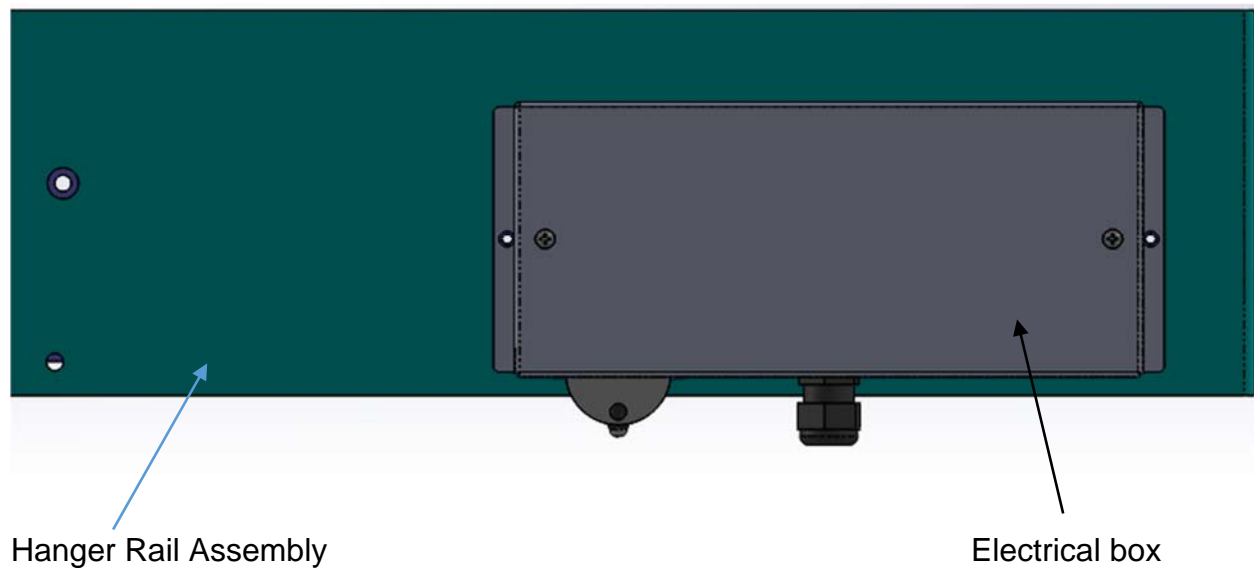
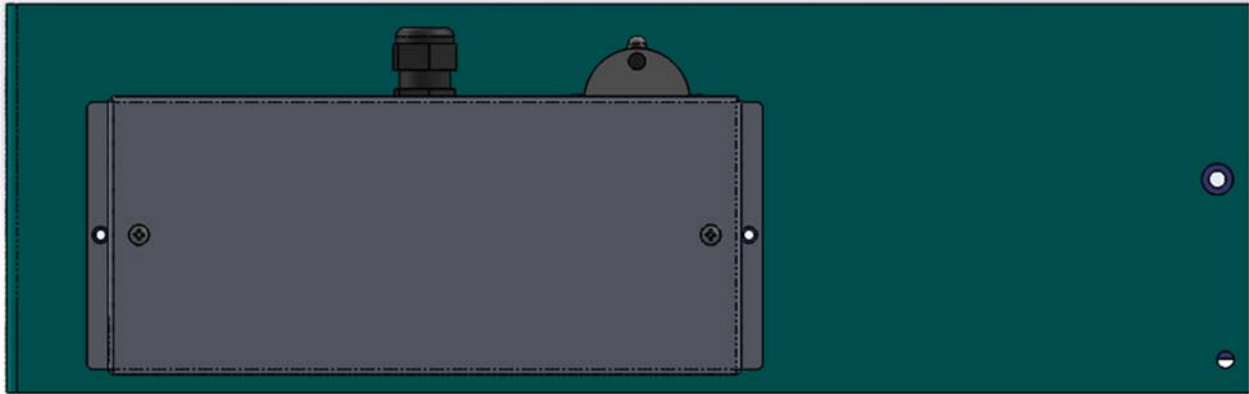


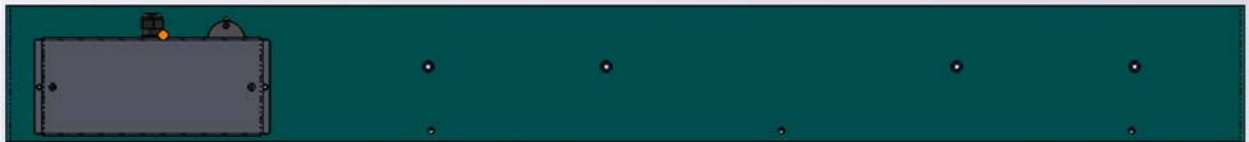
FIGURE 3.1: Right Configuration



*FIGURE 3.2: Left Configuration*



*FIGURE 3.3: Right Configuration*



*FIGURE 3.4: Left Configuration*

STEP FOUR (4): Install the hardware through the holes of the electrical box and hanger rail assembly as shown in figure 4.

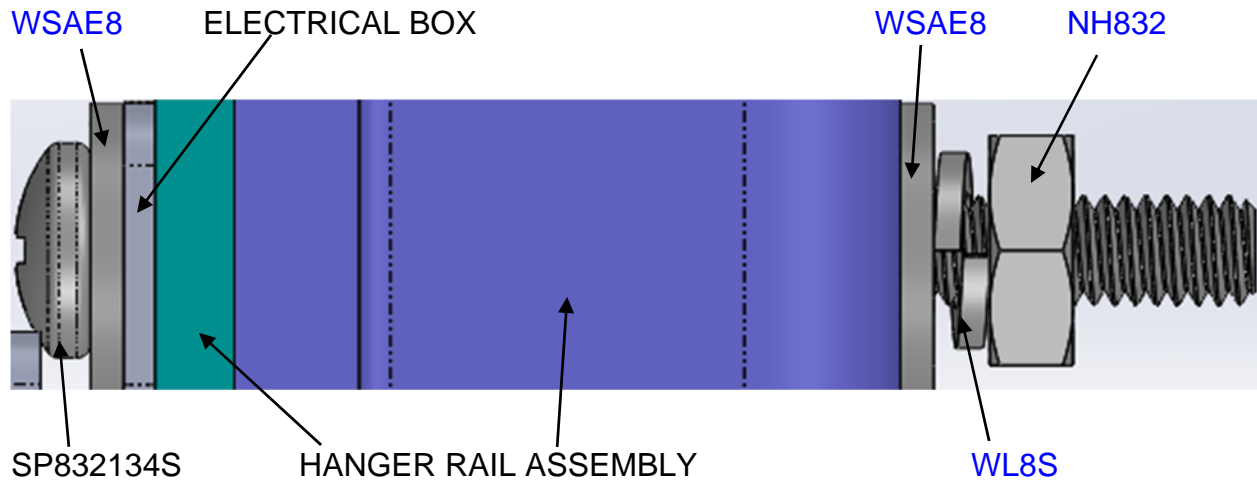


FIGURE 4

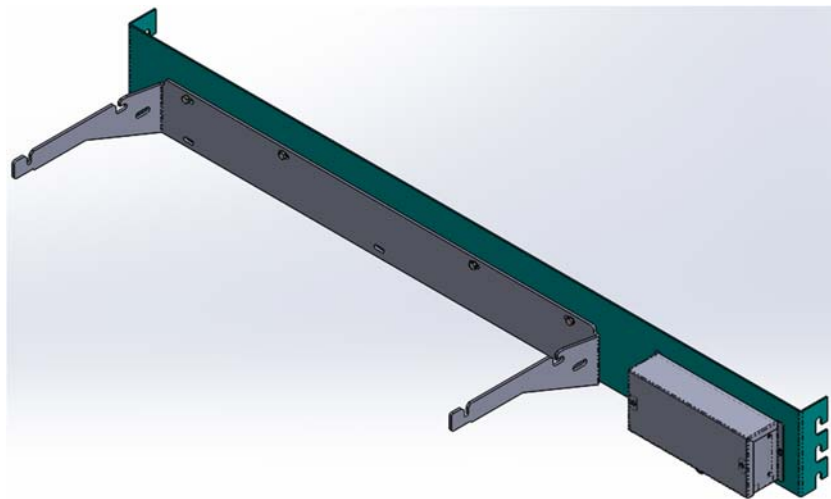
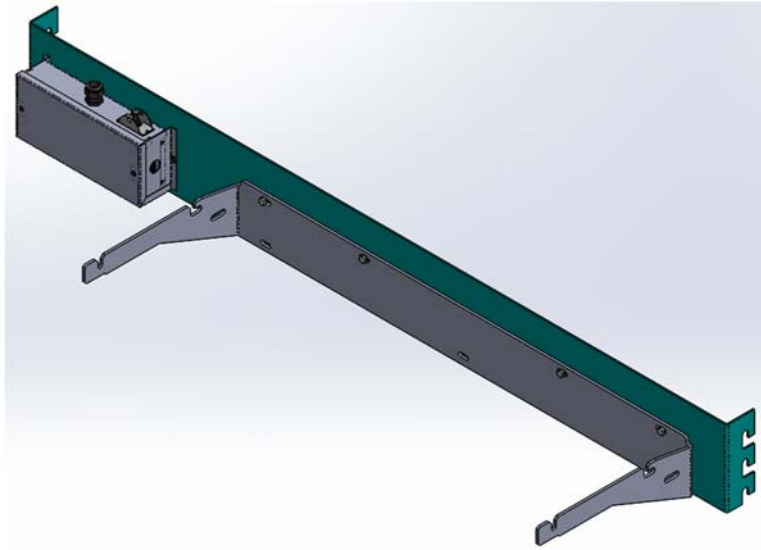


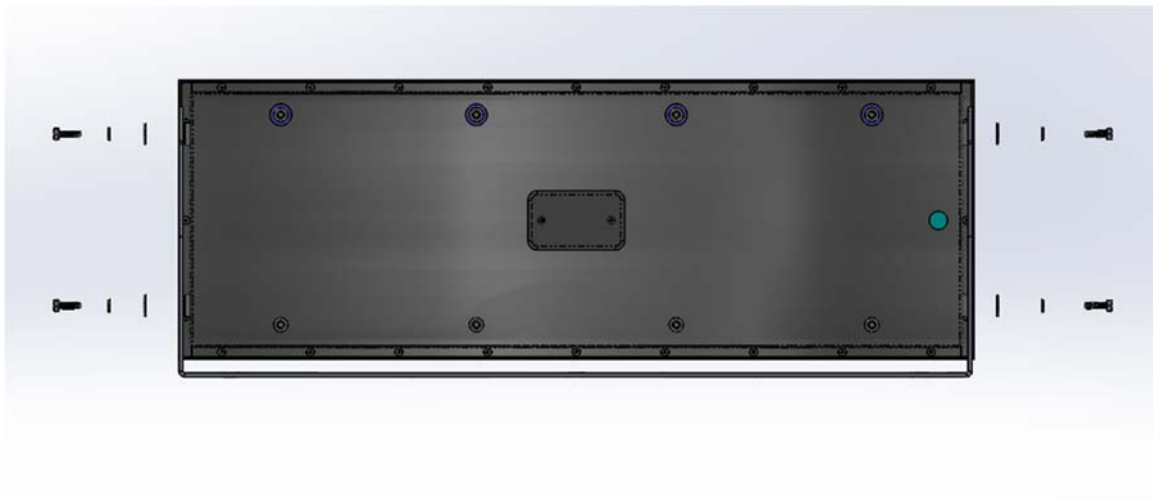
FIGURE 5.1: COMPLETED INSTALLATION SHOWN (RIGHT CONFIGURATION)



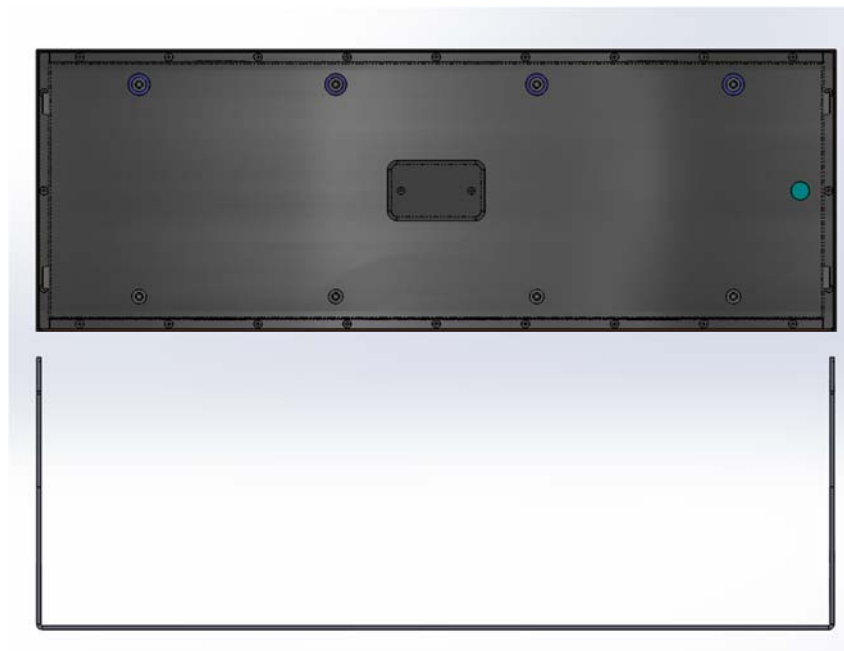
*FIGURE 5.2: COMPLETED INSTALLATION SHOWN (LEFT CONFIGURATION)*

## INSTRUCTIONS FOR SWITCHING BURN GUARD & BRACKET LOCATIONS FOR TWE1337TBEB

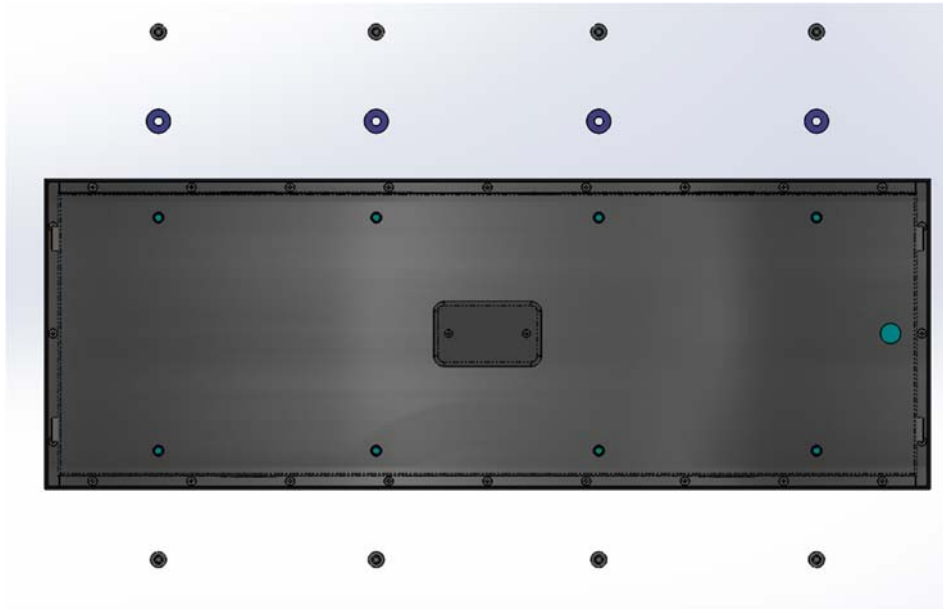
STEP 1: Remove hardware from the cantilever bracket (4x Screws, 4x Cut Washer, 4x Lock Washer)



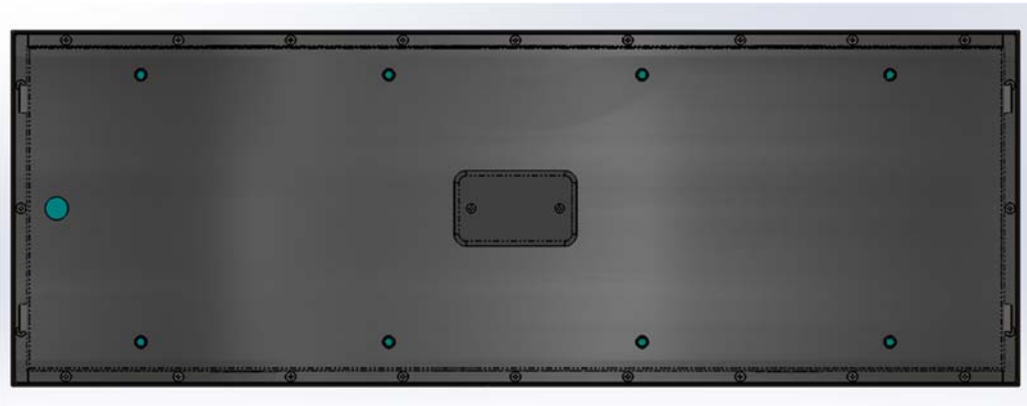
STEP 2: Remove cantilever bracket from grill.



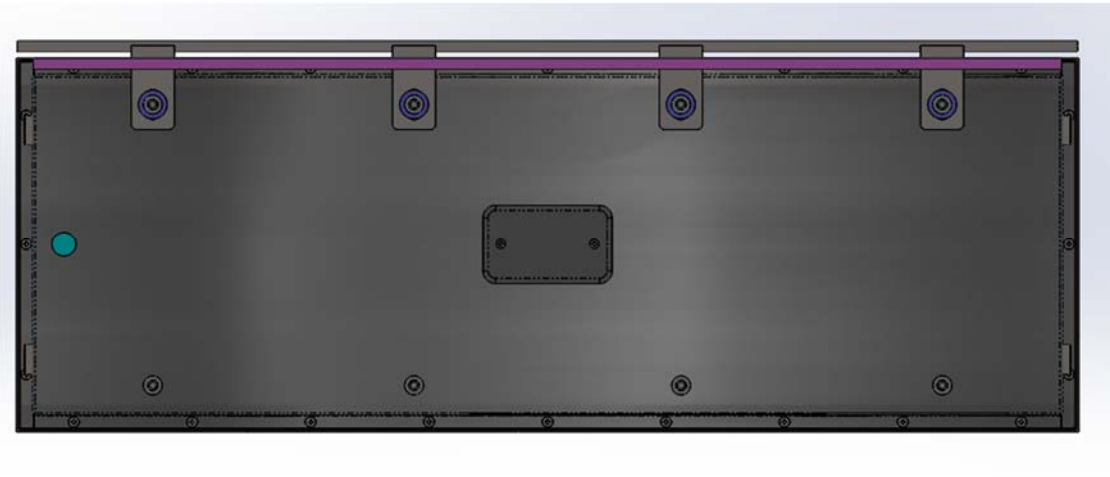
STEP 3: Remove screws (8x Button Head Screws) and washers (4x Cut Washer) below the grill



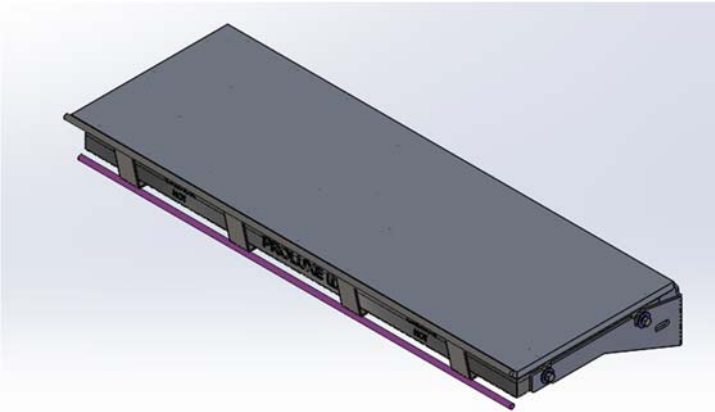
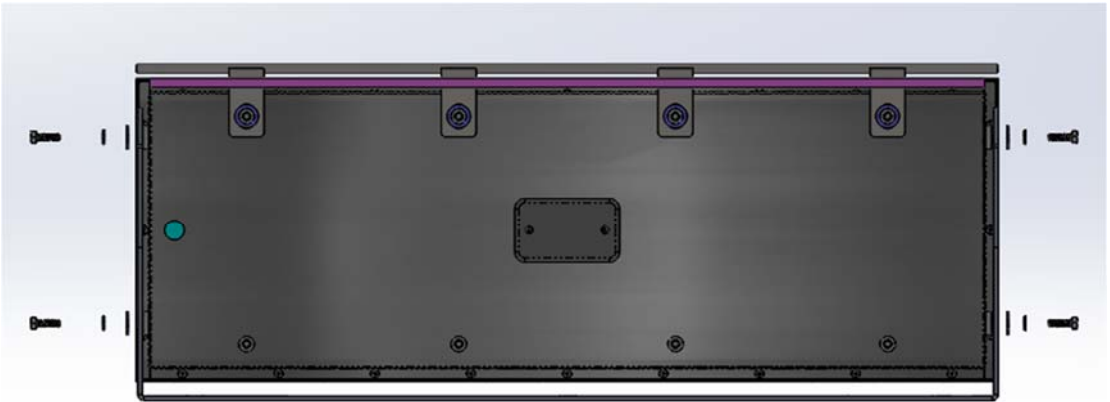
STEP 4: Flip grill 180 degrees so the back of grill becomes the front

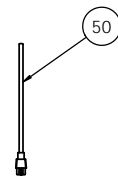
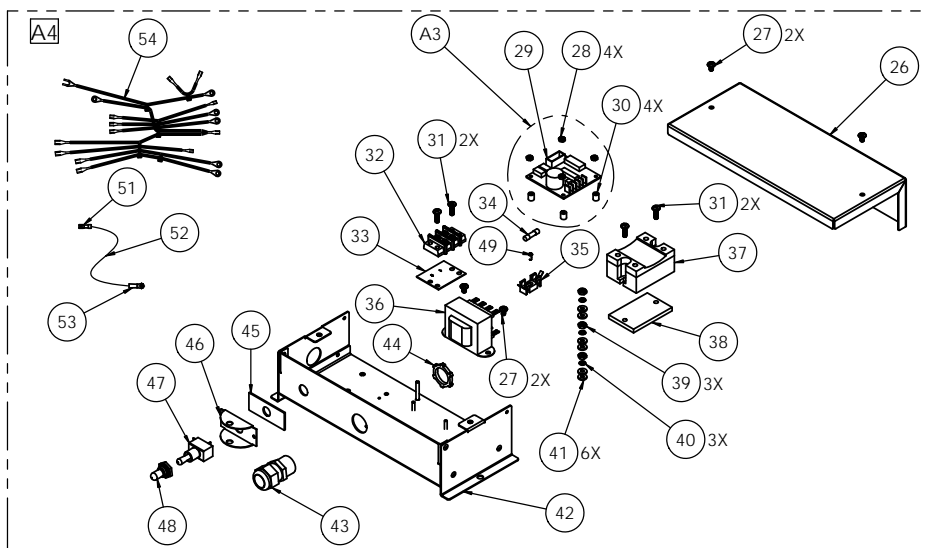
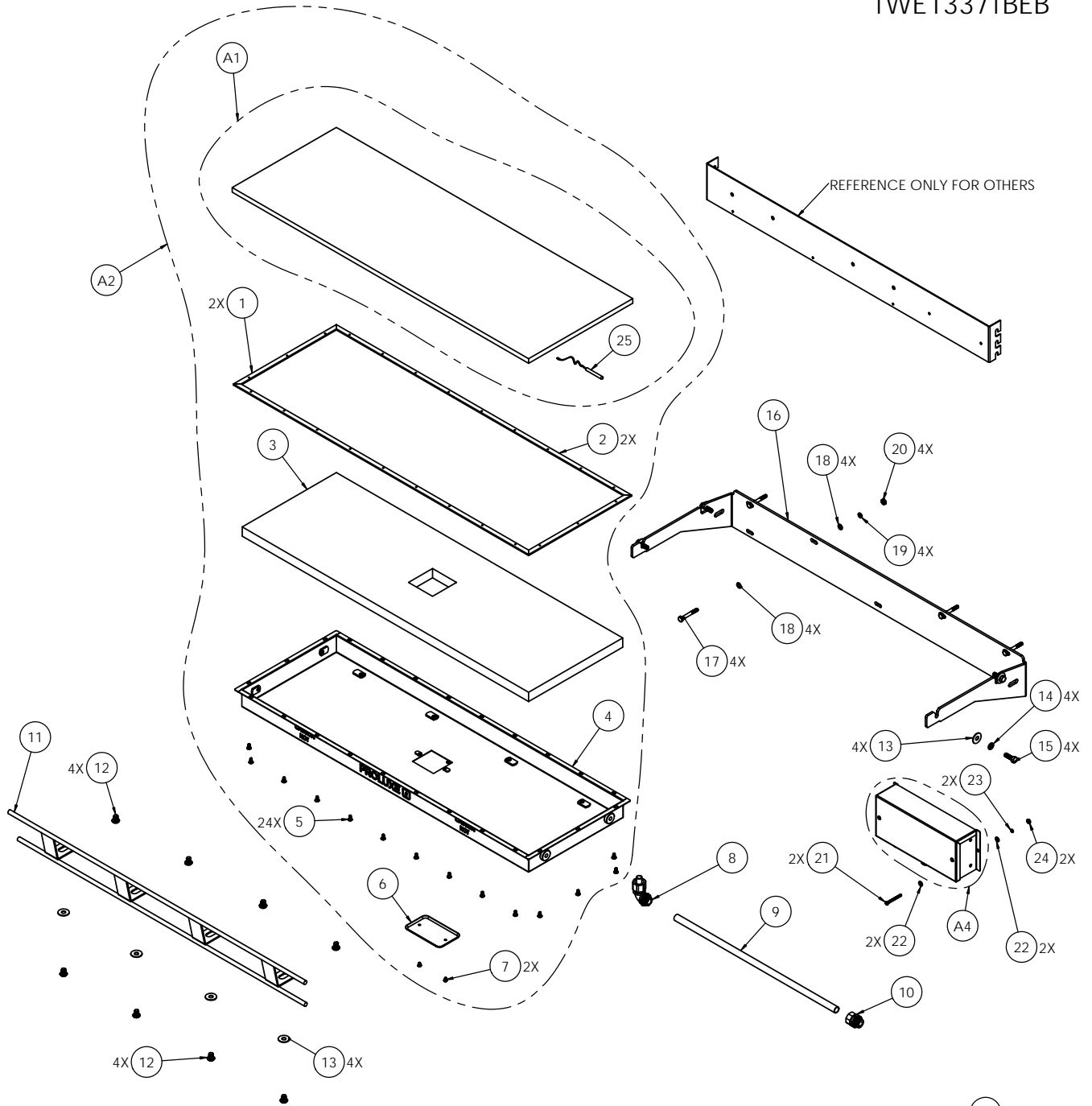


STEP 5: Add burn guard with 4 screws and 4 washers, add remaining 4 screws on opposite side of burn guard



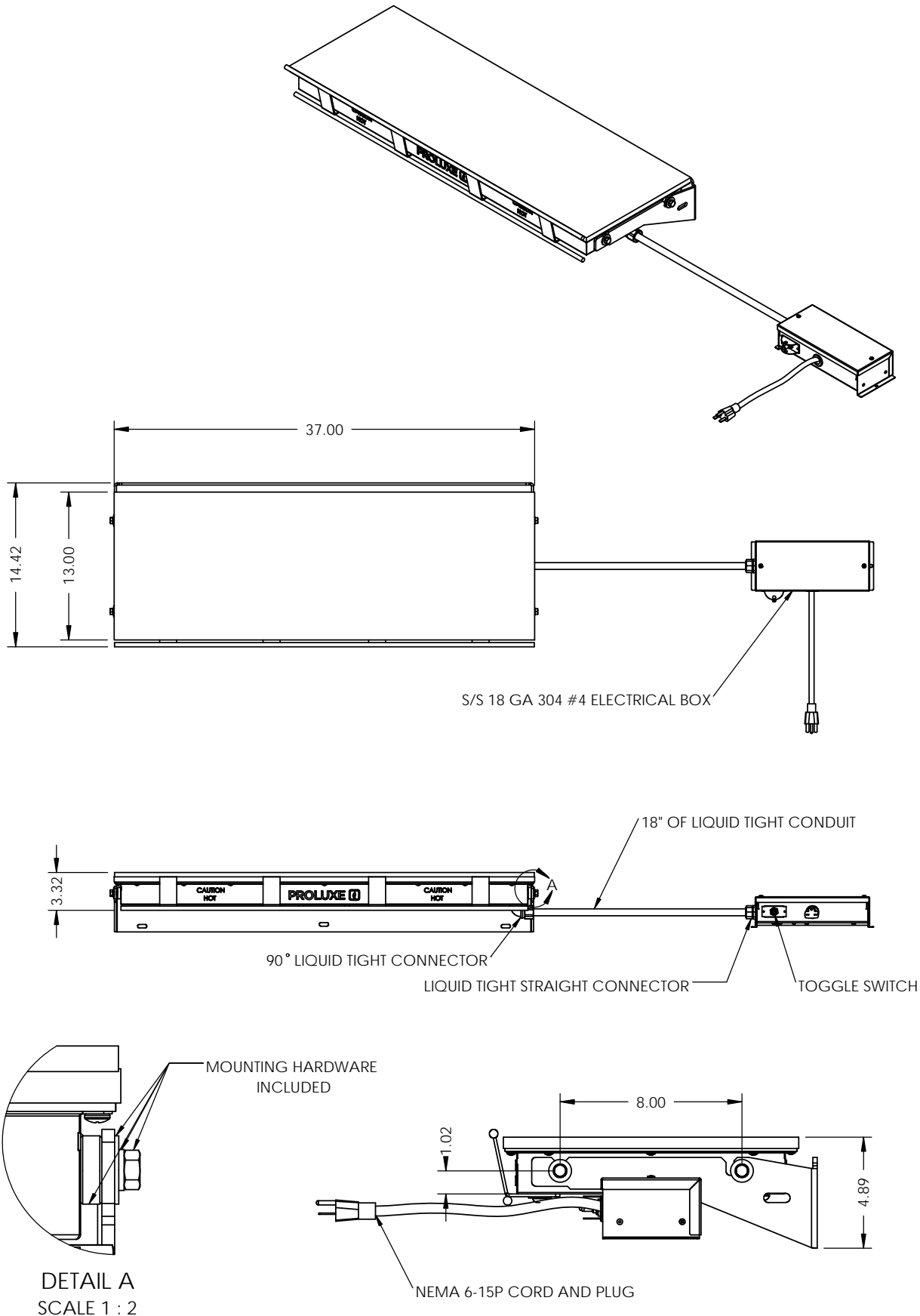
STEP 6: Add cantilever bracket along with its hardware





# TWE1337TBEB SPECIFICATIONS

ELECTRICAL RATING:  
1803W @ 208V. 50/60HZ. 8.67A  
2400W @ 240V. 50/60HZ. 10.0A

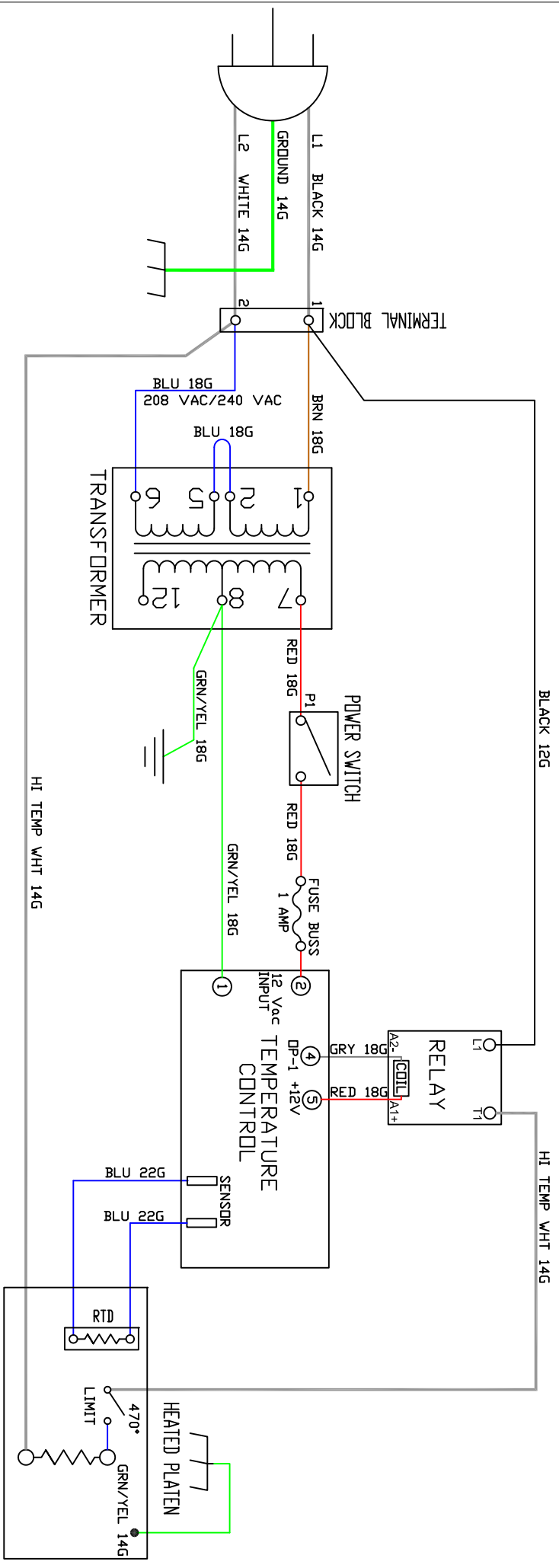


SSTWE1337TBEB RB 083117

## PARTS LIST FOR MODEL TWE1337TBEB

ITEM NO.	DESCRIPTION	PART NUMBER	QTY.
1	INSULATION STRIP FLEX WRAP 13"	TP12457	2
2	INSULATION STRIP FLEX WRAP 37"	TP12456	2
3	INSULATION, 2" #8 SUPERWOOL	TP12458	1
4	BOTTOM SHROUD ASSEMBLY	TP12481	1
5	SCREW, PAN HEAD PHILLIPS 10-24 X 3/8 STAINLESS	SP102438S	51
6	ACCESS PANEL COVER	110108651	1
7	SCREW, PHILLIPS PAN HEAD 8-32 X 3/8 S.S	SP83238S	2
8	LIQUID TIGHT 90 DEGREE CONNECTOR	TP12124	1
9	LIQUID TIGHT FLEXIBLE CONDUIT .375" ID	TP12128	1.5 FT
10	LIQUID TIGHT STRAIGHT CONNECTOR	TP12126	1
11	BURN GUARD ASSEMBLY	TP12490	1
12	SCREW, BUTTON HEAD 3/8-16 X 1/2 STAINLESS STEEL	SB381612S	8
13	WASHER, CUT 5/16" SPLIT LOCK	WC516	8
14	WASHER, LOCK 5/16	WL516	4
15	BOLT, HEX 5/16-18x1	BH516181	4
16	MOUNTING BRACKET, CANTILEVER	TP12471	1
17	BOLT, HEX 1/4-20 X 2" STAINLESS STEEL	BH14202S	4
18	STAINLESS STEEL WASHER, SAE 1/4	WSAE14S	8
19	STAINLESS STEEL WASHER, SPLIT LOCK, 1/4"	WL14S	4
20	NUT, HEX 1/4-20 STAINLESS STEEL	NH1420S	4
21	SCREW, PAN HEAD PHILLIPS 8-32 X 1 3/4" STAINLESS STEEL	SP832143S	2
22	STAINLESS STEEL WASHER, SAE #8	WSAE8S	4
23	STAINLESS STEEL WASHER, SPLIT LOCK, #8	WL8S	2
24	NUT, HEX HEAD 8-32 STAINLESS STEEL	NH832S	2
25	RTD SENSOR	11018002101	1
26	COVER, ELECTRICAL HOUSING	TP1244052	1
27	SCREW, PHILLIPS PAN HEAD. 8-32 X 1/4	SP83214	4
28	NUT, HEX 4-40	NH440	4
29	PCB CONTROLLER	16988052	1
30	SPACER, NYLON	110969111	4
31	SCREW, PAN HEAD PHILLIPS 8-32 X 1/2	SP83212	4
32	TERMINAL BLOCK 2 STAGE DOUBLE	6012	1
33	MARKER STRIP 2 STAGE DOUBLE	MS6012	1
34	FUSE BUSS 1 AMP	MPPF701R	1
35	FUSE HOLDER	MPPF708	1
36	TRANSFORMER	11096975	1
37	RELAY, SOLID STATE	MPR90217	1
38	MOUNTING PLATE, RELAY	11057322	1
39	NUT, HEX 6-32	NH632	3
40	WASHER, #6 INTERNAL TOOTH LOCK	WLIT6	3
41	WASHER, SAE #6	WSAE6	7
42	HOUSING, ELECTRICAL	TP124052	1
43	HEYCO STRAIN RELIEF	3231	1
44	CONDUIT, NUT 1/2"	NC12	1
45	GASKET, SWITCH	110901414	1
46	SWITCH GUARD, CARLING	110901413	1
47	SWITCH, CARLING TOGGLE, 20 AMP	110901411	1
48	BOOT, SILICON (BLACK) HEX, CARLING	110901412	1
49	SCREW, PHILLIPS PAN HEAD 2-56 X 1/4	SP25614	1
50	POWER CORD, 240V 6-15P	110969175	1
51	TERMINAL, QD FEMALE.110 X 18-22, GA. INSULATED	TQD1101822	1
52	WIRE, RED 18 GA. 16 STRAND	WR1816	0.42 FT
53	TERMINAL, #6 X 18-22 GA, RED MOLEX	2202	2
54	WIRE HARNESS	1101151050	1
55	MANUAL TWE1337TBEB	MTWE1337TBEB	1
A1	PLATEN ASSEMBLY	TP12432K	1
A2	PLATEN SHROUD ASSEMBLY	TP12432AK	1
A3	PCB CONTROL ASSEMBLY	110169388052K	1
A4	ELECTRICAL HOUSING ASSEMBLY	TP124052AK	1

VAC: 208/240  
 AMPS: 8.67/10.0  
 WATTS: 1803/2400



WDTWE1337TBEB RA 040417

## Warranty & Return Policy

Proluxe warrants all products manufactured by it against defects in workmanship or materials from the date of purchase for a period of (1) year on parts and labor. **This warranty applies to only equipment purchased and used in the United States.** Warranty period shall begin when equipment ships. Warranty travel shall only be covered for 60 miles.

**ALL WARRANTY SERVICE CALLS MUST BE APPROVED BY PROLUXE. IF THIS PROCEDURE IS NOT FOLLOWED, WARRANTY SERVICE WILL NOT BE COVERED. WARRANTY SERVICE WILL BE PAID ON STRAIGHT TIME, OVERTIME WILL NOT BE COVERED.**

### **Exclusions:**

- 1. WOOD / GAS FIRED OVENS:** PROLUXE warranty applies to the main body of the oven being steel / refractory and insulation shall be free from defects in materials and workmanship for a period of four years from the date of purchase. The gas equipment shall be free from defects in materials and workmanship for a period of one (1) year from the date of purchase. Lifetime warranty against cracks on oven floor.
- 2. Air compressors are excluded from this warranty,** but PROLUXE may act as a warranty expeditor in certain instances regarding these compressors. The air compressor manufacturer provides a limited warranty and a copy of this warranty is furnished with all compressors sold by PROLUXE. For prompt handling of compressor warranty claims the instructions of the compressor manufacturer must be adhered to.
- 3. Equipment built to special order as well as accessories** cannot be canceled and are not returnable unless defective within the terms of this warranty.
- 4. In no event shall PROLUXE be liable for consequential damages arising out of the failure of any of its products if operated improperly, altered or caused by normal wear or damage by operator abuse.**
- 5. BC2325 pedestal warranty disclaimer:** Pedestals shall only be covered under warranty if they have been cleaned using the factory approved cleaning method. Cracked or damaged pedestals must be inspected by the factory before warranty is authorized.
- 6. Limited lifetime warranty on heating elements:** If replacement is needed, Proluxe will send the new part at no charge but labor will not be covered unless the unit is still under the 1 year manufacture warranty.

### **Returned Merchandise Policy:**

Should it become necessary to return any of the company's products, the following instructions must be adhered to: First, contact our customer service department for approval and a return authorization number. *Please have the serial number of your item available at that time.* All merchandise must be shipped *freight prepaid* by customer or service agency. Subject to the inspection of the product by the company, a restocking charge of 20% of the Net purchased price paid to PROLUXE will be assessed. Merchandise may not be returned for credit without *prior written approval* of PROLUXE. Collect shipments *will not* be accepted. No returns after 60 days of original shipment date on machines. Purchased parts may not be returned after 30 days.

If upon inspection by PROLUXE or its authorized agent it is determined the equipment has not been used in an appropriate manner, has been modified, or has not been properly maintained, or has been subject to misuse, misapplication, neglect, abuse, accident, unauthorized modification, damage during transit, delivery, fire, flood, act or war, riot or act of God, then this warranty shall be deemed null and void.

### **Terms & Conditions:**

1. Prices indicated in the PRICE LIST are suggested retail prices and are shown in U.S. DOLLARS.
2. Terms of Payment: 1% 10 days, NET 30 days.
3. **NEW ACCOUNTS:** Satisfactory credit information must be provided before open account status can be extended. Unless agreed otherwise, all shipments will be made C.O.D., CASH IN ADVANCE.
4. **PRICING:** Prices, specifications, model numbers, capacities and accessories are subject to change without notice.
5. **FREIGHT / ROUTING:** Method of shipment will be determined by PROLUXE unless otherwise advised by PURCHASER.
6. **DAMAGED CLAIMS:** All merchandise shipped at purchaser's risk. Inspection must be made by purchaser at time goods are received. If goods are damaged, the PURCHASER shall request that the agent of the transportation company make a written notation on the proper shipping documents immediately and then file a claim for damage. **GOODS DAMAGED IN SHIPMENT ARE NOT RETURNABLE.**
7. **RETURNS:** Machines may not be returned after 60 days. Purchased parts may not be returned after 30 days. A restocking fee of 20% will be assessed on non-warranty returns.
8. **TAXES:** Prices indicated herein DO NOT include State, Federal, Local or foreign taxes or duties, nor do they include fees, permits, insurance or other levies, all of which are the responsibility of the purchaser.
9. All orders are subject to acceptance by PROLUXE.
10. Possession of this price list shall not be considered an offer to sell.