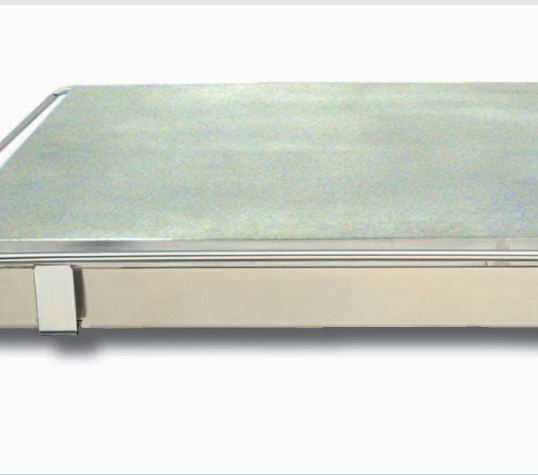


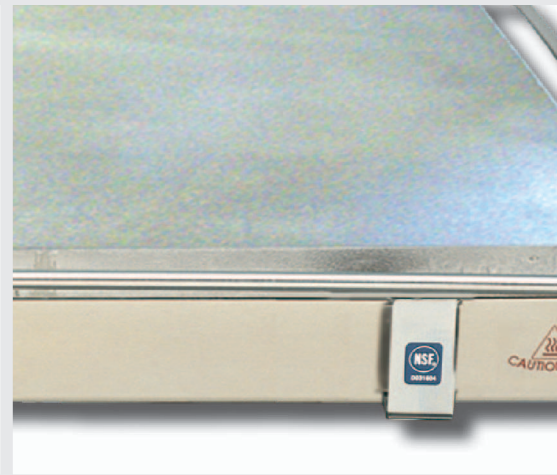
# Operations Manual

Model: TW2025DTE

Tortilla Warming Flat Grill



**PROGRILL™**



**PROLUXE™**

formerly DOUGHPRO. New Name. Same Quality. Superior Service.

[proluxe.com](http://proluxe.com)

## **CLEANING**

Use only cleaners which are safe for **ALUMINUM**. **DO NOT** use caustic cleaners, ice or cold water to clean the grill. Turn grill down or OFF during idle periods to prevent carbon buildup.

1. Turn power off and unplug, allow grill to cool.
2. Remove particles by using a spatula with rounded corners.
3. Wipe down all surfaces using a warm damp cloth and mild detergent.

## **CARBON CLEANING**

When carbon buildup occurs, use a carbon removal agent which is safe for aluminum, follow the instructions provided with the product. When this process is complete, you must re-season your grill.

## **INITIAL START UP**

Before using the unit for the first time, wipe down the exterior and platen area with a damp cloth.

Heat for approximately 30 minutes. The warmer may emit a small amount of smoke as the cooking surface reaches its operating temperature. This is normal, as the smoke is caused by oils associated with the manufacturing process and will stop when the burn off is complete. Brush off any debris from the warming surface.

## **SEASONING THE TORTILLA GRILL HEATING SURFACE**

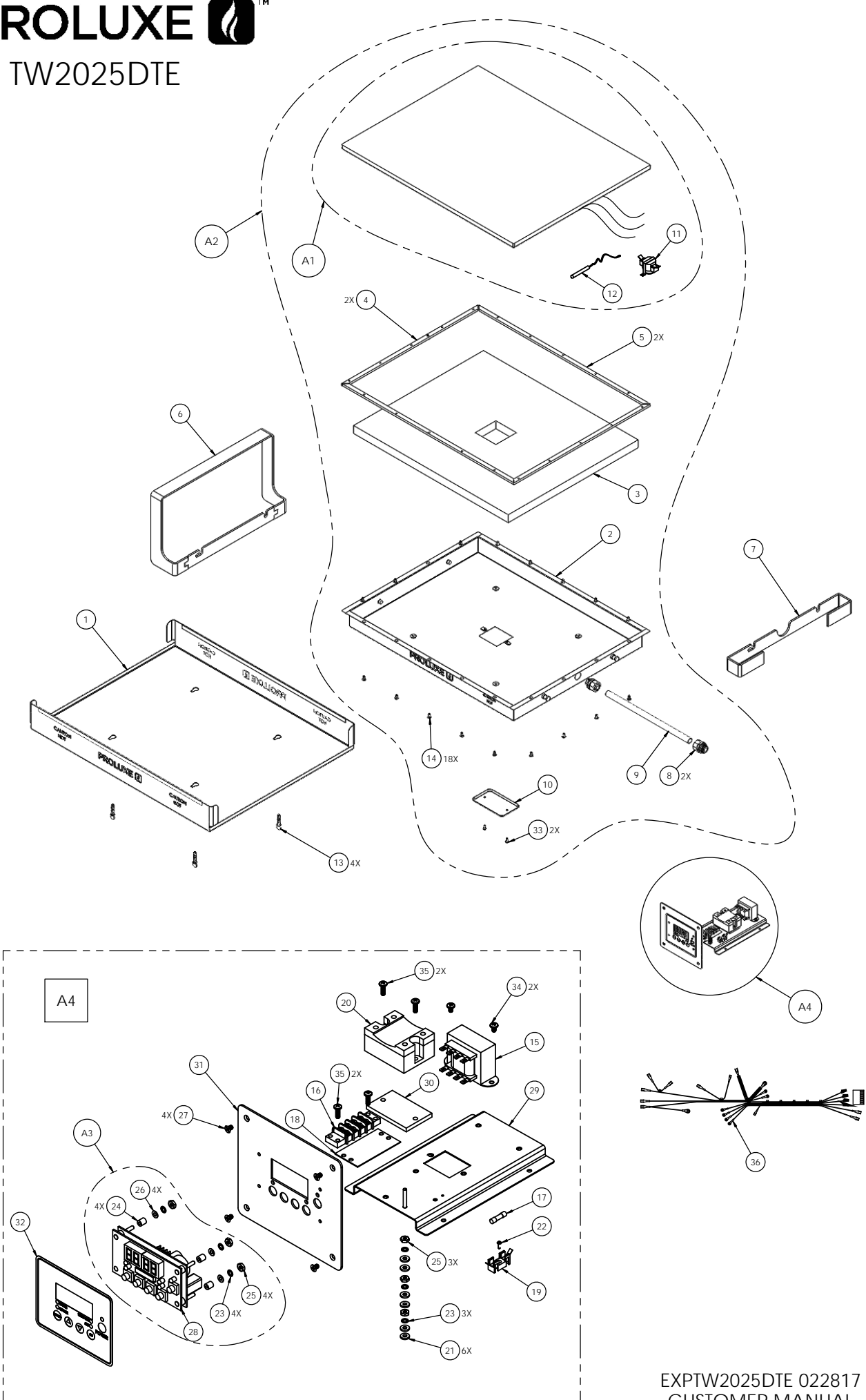
### **FIRST TIME SEASONING**

Follow your company/corporate guidelines for seasoning cooking surfaces or perform the following:

1. Bring the grill to 300°F (148°C) and leave it on while performing the next three steps.
2. Brush the cooking surfaces with a release agent. If using an aerosol agent, first apply into a cup and then brush onto cooking surface.
3. Let sit for 20 minutes.
4. Wipe the cooking surface clean, using a warm damp cloth.

## **\*Warning\***

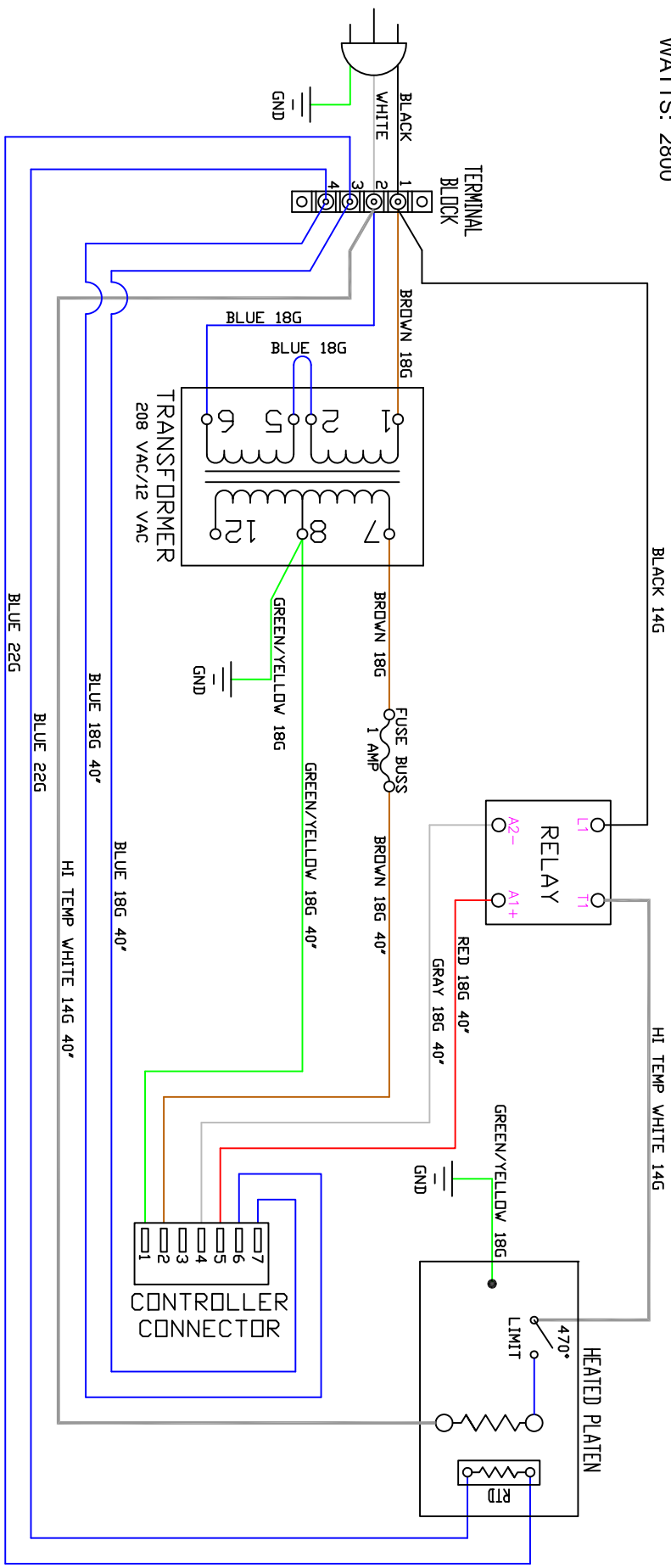
**DO NOT SUBMERGE IN WATER OR ALLOW WATER TO SPILL INTO THE ELECTRICAL HOUSING. AS THIS WILL VOID WARRANTY AND DAMAGE THE UNIT.**



## PARTS LIST FOR MODEL TW2025DTE

ITEM NO.	DESCRIPTION	PART NUMBER	QTY.
1	SHROUD, BURN GUARD/PAN ASSEMBLY	TP12382	1
2	BOTTOM SHROUD ASSEMBLY	TP12381	1
3	TW2025DTE INSULATION	TP12306	1
4	INSULATION STRIP FLEX WRAP 20"	<a href="#">1101086257</a>	2
5	INSULATION STRIP FLEX WRAP 25"	<a href="#">1101086252</a>	2
6	MOUNTING BRACKET, LEFT ASSEMBLY	TP12372L	1
7	MOUNTING BRACKET, RIGHT SIDE	TP12372R	1
8	LIQUID TIGHT STRAIGHT CONNECTOR	TP12126	2
9	LIQUID TIGHT FLEXIBLE STEEL CONDUIT .375" ID	TP12128	6 FT
10	ACCESS PANEL COVER	<a href="#">110108651</a>	1
11	LIMITER SWITCH 470°	<a href="#">110812046</a>	1
12	RTD SENSOR 120"	<a href="#">11018002101</a>	1
13	SCREW, THUMB 1/4-20 X 1 1/4	ST1420114	4
14	SCREW, PHILLIPS PAN HEAD 10-24 X 3/8 S.S	<a href="#">SP102438S</a>	18
15	TRANSFORMER	<a href="#">11096975</a>	1
16	TERMINAL BLOCK # 4 DOUBLE	6014	1
17	FUSE BUSS 1 AMP	<a href="#">MPPF701R</a>	1
18	MARKER STRIP # 4 DOUBLE	<a href="#">MS6012</a>	1
19	FUSE HOLDER	<a href="#">MPPF708</a>	1
20	RELAY, SOLID STATE	<a href="#">MPR90217</a>	1
21	WASHER SAE #6	<a href="#">WSAE6</a>	7
22	SCREW, PHILLIPS PAN HEAD 2-56 X 1/4	<a href="#">SP25614</a>	1
23	WASHER, INTERNAL TOOTH LOCK #6	<a href="#">WLIT6</a>	7
24	SPACER, NYLON	<a href="#">110969111</a>	4
25	NUT, HEX 6-32	<a href="#">NH632</a>	7
26	WASHER, STEEL	<a href="#">311150019</a>	4
27	SCREW, PHILLIPS FLAT 8-32 X 1/4 STAINLESS	<a href="#">SF83214S</a>	4
28	DIGITAL, CONTROL	<a href="#">110969052</a>	1
29	MOUNTING BRACKET, ELECTRICAL ASSEMBLY	TP12380	1
30	HEAT SINK, ALUMINUM PAD	<a href="#">11057322</a>	1
31	FACIA PLATE ASSEMBLY	TP12312	1
32	CONTROL PANEL OVERLAY	<a href="#">ODP1300</a>	1
33	SCREW, PHILLIPS PAN HEAD 8-32 X 3/8 S.S	<a href="#">SP83238S</a>	2
34	SCREW, PHILLIPS PAN HEAD 8-32 X 1/4	<a href="#">SP83214</a>	2
35	SCREW, PHILLIPS PAN HEAD 8-32 X 1/2	<a href="#">SP83212</a>	4
36	WIRE HARNESS	TP129050	1
37	MANUAL TW2025 DEL TACO	MTW2025DTE	1
A1	<b>PLATEN WIRING ONLY</b>	<b>TP12381K</b>	<b>1</b>
A2	<b>PLATEN SHROUD ASSEMBLY</b>	<b>TP12381AK</b>	<b>1</b>
A3	<b>DIGITAL CONTROLLER ASSEMBLY</b>	<b>110969052K</b>	<b>1</b>
A4	<b>ELECTRICAL HOUSING ASSEMBLY</b>	<b>TP12384</b>	<b>1</b>

VAC: 208  
 AMPS: 13.46  
 WATTS: 2800



WDTW2025DTE 022817

## Warranty & Return Policy

**Proluxe** warrants all products manufactured by it against defects in workmanship or materials from the date of purchase for a period of (1) year on parts and **labor**. **This warranty applies to only equipment purchased and used in the United States.** Warranty period shall begin when equipment ships. Warranty travel shall only be covered for 60 miles. Limited lifetime warranty on heating elements.

**ALL WARRANTY SERVICE CALLS MUST BE APPROVED BY PROLUXE. IF THIS PROCEDURE IS NOT FOLLOWED, WARRANTY SERVICE WILL NOT BE COVERED. WARRANTY SERVICE WILL BE PAID ON STRAIGHT TIME, OVERTIME WILL NOT BE COVERED.**

### **Exclusions:**

- 1. WOOD / GAS FIRED OVENS:** PROLUXE warranty applies to the main body of the oven being steel / refractory and insulation shall be free from defects in materials and workmanship for a period of four years from the date of purchase. The gas equipment shall be free from defects in materials and workmanship for a period of one (1) year from the date of purchase. Lifetime warranty against cracks on oven floor.
- 2. Air compressors are excluded from this warranty,** but PROLUXE may act as a warranty expeditor in certain instances regarding these compressors. The air compressor manufacturer provides a limited warranty and a copy of this warranty is furnished with all compressors sold by PROLUXE. For prompt handling of compressor warranty claims the instructions of the compressor manufacturer must be adhered to.
- 3. Equipment built to special order as well as accessories** cannot be canceled and are not returnable unless defective within the terms of this warranty.
- 4. In no event shall PROLUXE be liable for consequential damages arising out of the failure of any of its products if operated improperly or caused by normal wear or damage by operator abuse.**
- 5. BC2325 pedestal warranty disclaimer:** Pedestals shall only be covered under warranty if they have been cleaned using the factory approved cleaning method. cracked or damaged pedestals must be inspected by the factory before warranty is authorized.
- 6. Limited lifetime warranty on heating elements:** If replacement is needed, Proluxe will send the new part at no charge but **labor** will not be covered unless the unit is still under the 1 year manufacture warranty.

### **Returned Merchandise Policy:**

Should it become necessary to return any of the company's products, the following instructions must be adhered to: First, contact our customer service department for approval and a return authorization number. *Please have the serial number of your item available at that time.* All merchandise must be shipped *freight prepaid* by customer or service agency. Subject to the inspection of the product by the company, a restocking charge of 20% of the Net purchased price paid to PROLUXE will be assessed. Merchandise may not be returned for credit without *prior written approval* of PROLUXE. Collect shipments *will not* be accepted. No returns after 60 days of original shipment date on machines. Purchased parts may not be returned after 30 days.

If upon inspection by PROLUXE or its authorized agent it is determined the equipment has not been used in an appropriate manner, has been modified, or has not been properly maintained, or has been subject to misuse, misapplication, neglect, abuse, accident, unauthorized modification, damage during transit, delivery, fire, flood, act or war, riot or act of God, then this warranty shall be deemed null and void.

### **Terms & Conditions:**

1. Prices indicated in the PRICE LIST are suggested retail prices and are shown in U.S. DOLLARS.
2. Terms of Payment: 1% 10 days, NET 30 days.
3. **NEW ACCOUNTS:** Satisfactory credit information must be provided before open account status can be extended. Unless agreed otherwise, all shipments will be made C.O.D., CASH IN ADVANCE.
4. **PRICING:** Prices, specifications, model numbers, capacities and accessories are subject to change without notice.
5. **FREIGHT / ROUTING:** Method of shipment will be determined by PROLUXE unless otherwise advised by PURCHASER.
6. **DAMAGED CLAIMS:** All merchandise shipped at purchaser's risk. Inspection must be made by purchaser at time goods are received. If goods are damaged, the PURCHASER shall request that the agent of the transportation company make a written notation on the proper shipping documents immediately and then file a claim for damage. **GOODS DAMAGED IN SHIPMENT ARE NOT RETURNABLE.**
7. **RETURNS:** Machines may not be returned after 60 days. Purchased parts may not be returned after 30 days. A restocking fee of 20% will be assessed on non-warranty returns.
8. **TAXES:** Prices indicated herein DO NOT include State, Federal, Local or foreign taxes or duties, nor do they include fees, permits, insurance or other levies, all of which are the responsibility of the purchaser.
9. All orders are subject to acceptance by PROLUXE.
10. Possession of this price list shall not be considered an offer to sell.