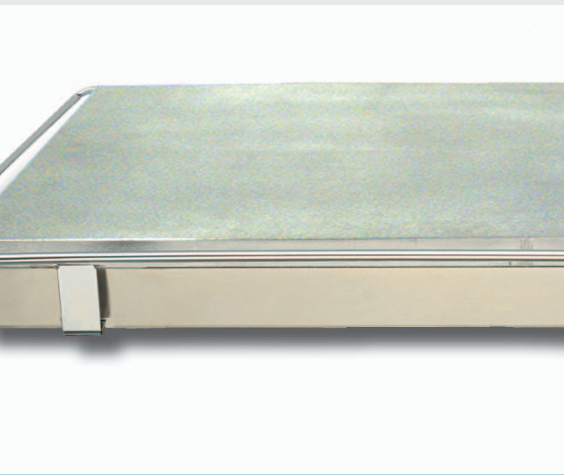


Operations Manual

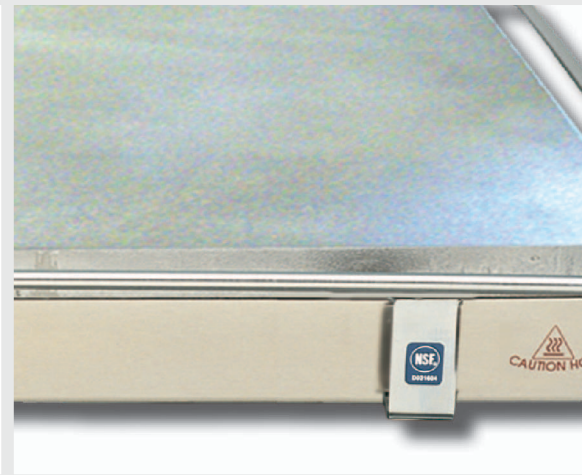
Model:
TW2023TBVCED
Tortilla Warming Flat Grill



TACO BELL[®]



PROGRILL[™]



CE

PROLUXE[™]



formerly DOUGHPRO. New Name. Same Quality. Superior Service.

proluxe.com

CLEANING

Use only cleaners which are safe for **ALUMINUM**. **DO NOT** use caustic cleaners, ice or cold water to clean the grill. Turn grill down or OFF during idle periods to prevent carbon buildup.

1. Turn power off and unplug, allow grill to cool.
2. Remove particles by using a spatula with rounded corners.
3. Wipe down all surfaces using a warm damp cloth and mild detergent.

CARBON CLEANING

When carbon buildup occurs, use a carbon removal agent which is safe for aluminum, follow the instructions provided with the product. When this process is complete, you must re-season your grill.

INITIAL START UP

Before using the unit for the first time, wipe down the exterior and platen area with a damp cloth.

Heat for approximately 30 minutes. The warmer may emit a small amount of smoke as the cooking surface reaches its operating temperature. This is normal, as the smoke is caused by oils associated with the manufacturing process and will stop when the burn off is complete. Brush off any debris from the warming surface.

SEASONING THE TORTILLA GRILL HEATING SURFACE

FIRST TIME SEASONING

Follow your company/corporate guidelines for seasoning cooking surfaces or perform the following:

1. Bring the grill to 300°F (148°C) and leave it on while performing the next three steps.
2. Brush the cooking surfaces with a release agent. If using an aerosol agent, first apply into a cup and then brush onto cooking surface.
3. Let sit for 20 minutes.
4. Wipe the cooking surface clean, using a warm damp cloth.

!Caution! — To reduce the risk of fire, the appliance is to be installed in non-combustible surroundings only with no combustible material within 18 inches of the sides, front, or rear of the appliance or within 40 inches above the appliance. The appliance is to be mounted on floors of noncombustible construction with noncombustible flooring and surface finish and with no combustible material against the underside, or on noncombustible slabs or arches have no combustible material against the underside. Such construction shall in all cases extend not less than 12 inches beyond the equipment on all sides.

Warning

DO NOT SUBMERGE IN WATER OR ALLOW WATER TO SPILL INTO THE ELECTRICAL HOUSING. AS THIS WILL VOID WARRANTY AND DAMAGE THE UNIT.

!All wiring should be installed by a licensed electrical contractor in accordance with local and national codes

TW2023&TW2540 Recommended Cleaning Procedures

DO NOT use ice or cold water to cool unit down.

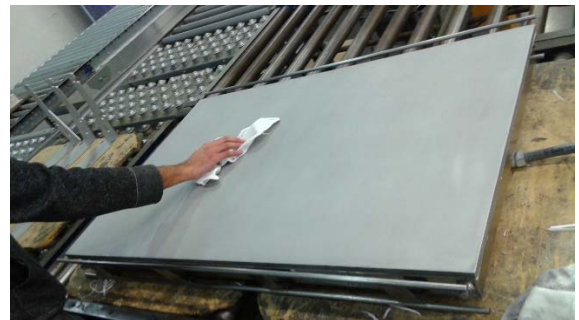
This causes the platens to warp.

TOOLS REQUIRED: 1. Spatula w/ rounded corners 2. Damp Washcloth 3. Griddle cleaner



1. Turn off grill and allow to cool down.

2. Apply small amount of cleaner to grill surface

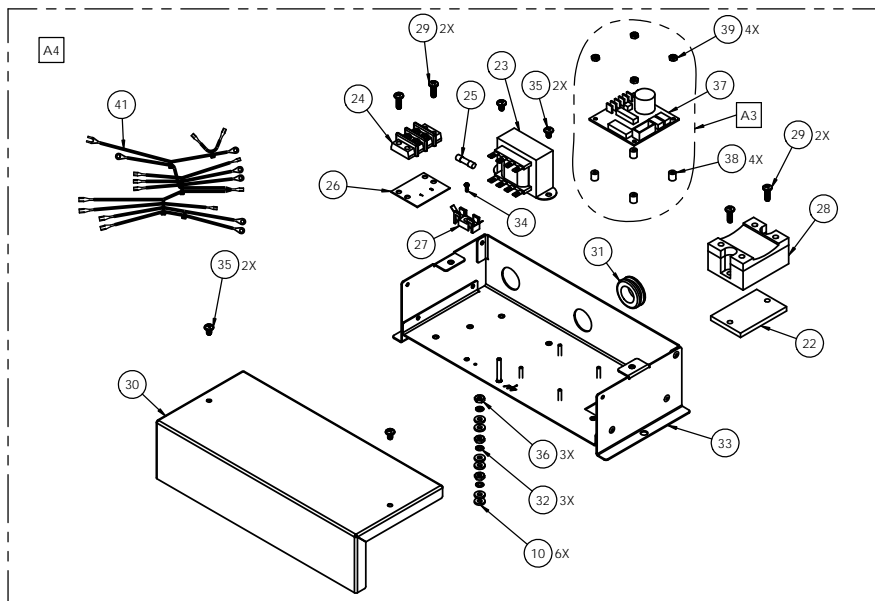
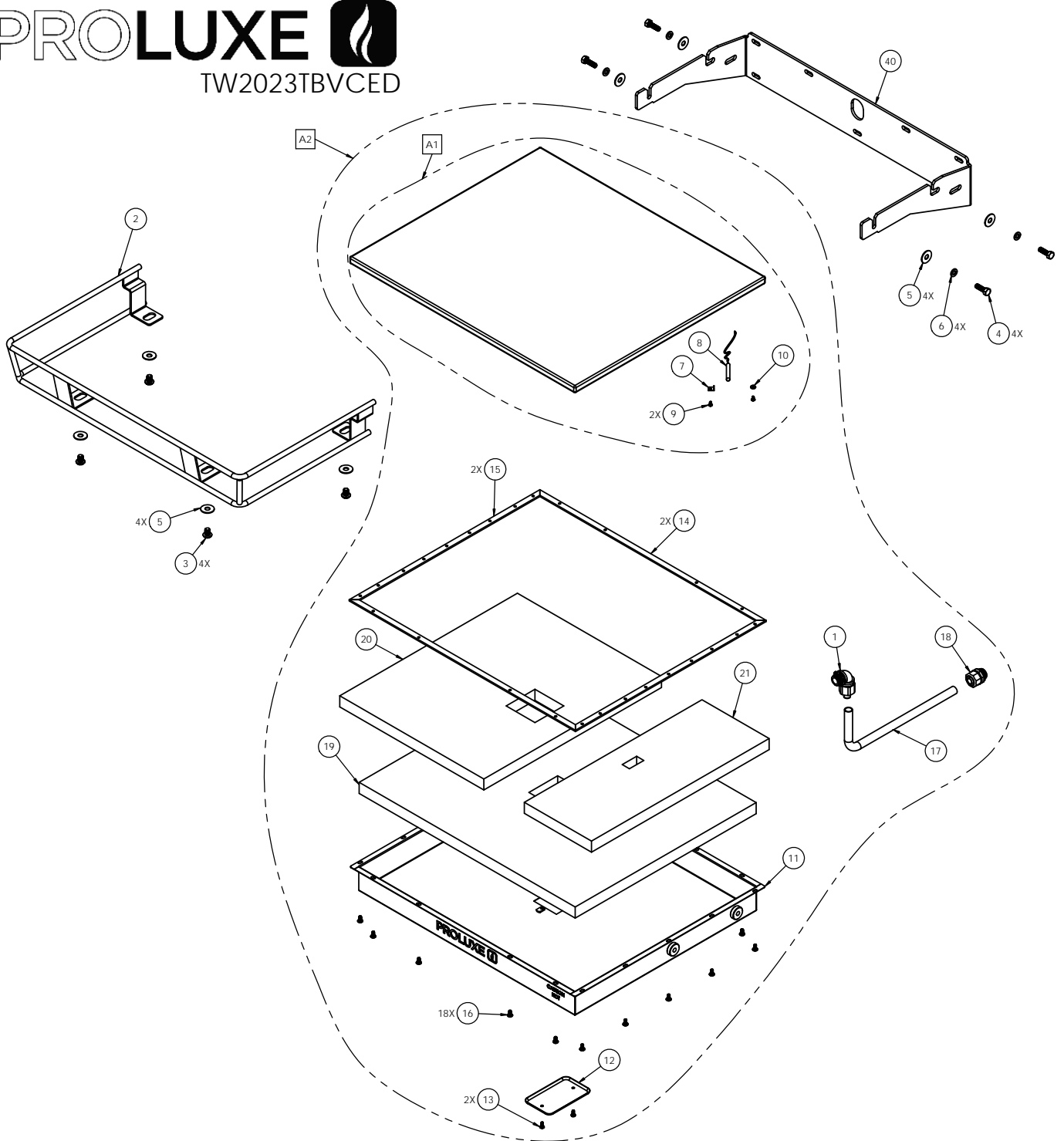


3. Use spatula w/ round edges to remove particles

4. Use warm damp cloth to wipe grill surface.

PROLUXE

TW2023TBVCE D

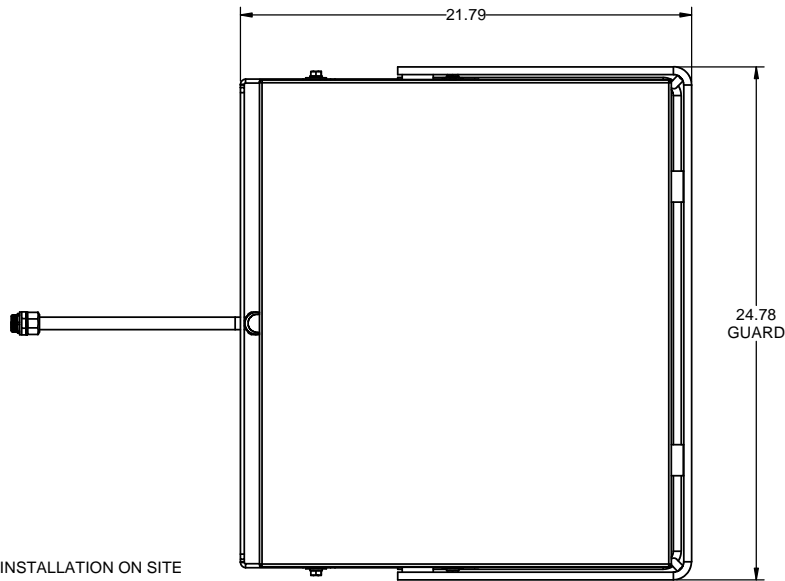
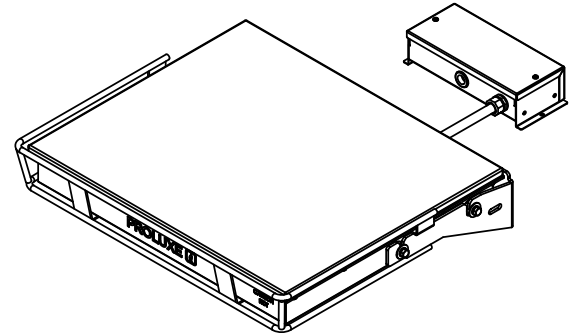
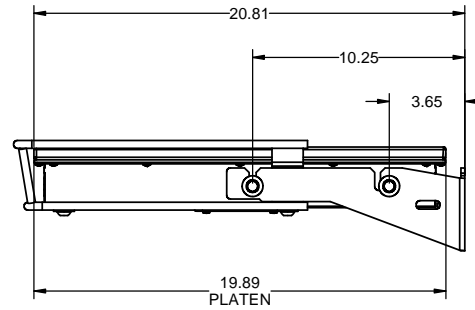
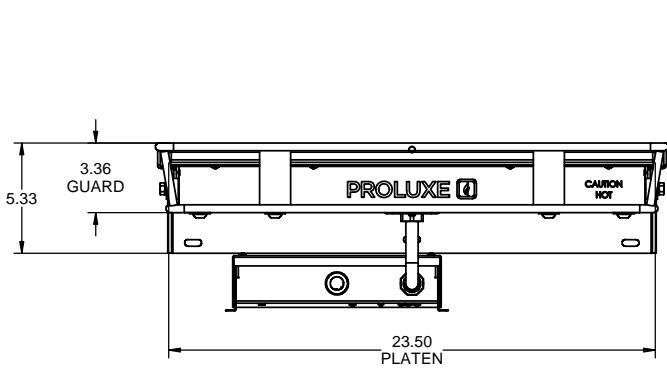


POWER SPECIFICATIONS

VAC: 230
 AMPS: 7.44
 WATTS: 1712
 50/60 HZ
 SET POINT: 430°F ±10°F, RANGE: 420°F - 440°F

THE INFORMATION CONTAINED IN THIS DOCUMENT IS PROPRIETARY AND SOLELY THE PROPERTY OF PROLUXE ANY USE, REPRODUCTION, OR DISCLOSURE OF THIS INFORMATION, IN THE WHOLE OR IN PART, WITHOUT THE EXPRESS CONSENT OF PROLUXE IS STRICTLY PROHIBITED.

REVISIONS					
ZONE	ECO	REV.	DESCRIPTION	DATE	APPR
-	-	N/C	INITIAL RELEASE	12/08/17	G.R.



NOTE: (UNLESS OTHERWISE SPECIFIED)

1. INTERPRET DIMENSIONS AND TOLERANCE PER ANSI Y14.5-2009
2. PLATEN WILL BE WIRED TO THE ELECTRICAL COMPONENTS DURING INSTALLATION ON SITE ALL WIRE TERMINATION WILL BE COMPLETED PRIOR TO SHIPPING
3. 3/8" STAINLESS STEEL BURN GUARD
4. 22" LIQ-TITE CONDUIT
5. 90 DEGREE LIQ-TITE CONNECTOR AT ONE END OF CONDUIT, STRAIGHT LIQ-TITE CONNECTOR AT THE OTHER END
6. 120" OF LEAD WIRE COMING OUT OF CONDUIT END
7. HIGH TEMPERATURE LIMITER
8. LOAD WIRES WILL USE FORKED TERMINALS
9. (2X) 73" HEATER WIRE AND 73" GROUND WIRE CONNECTED TO ELECTRICAL HOUSING ASSY WITH TERMINALS

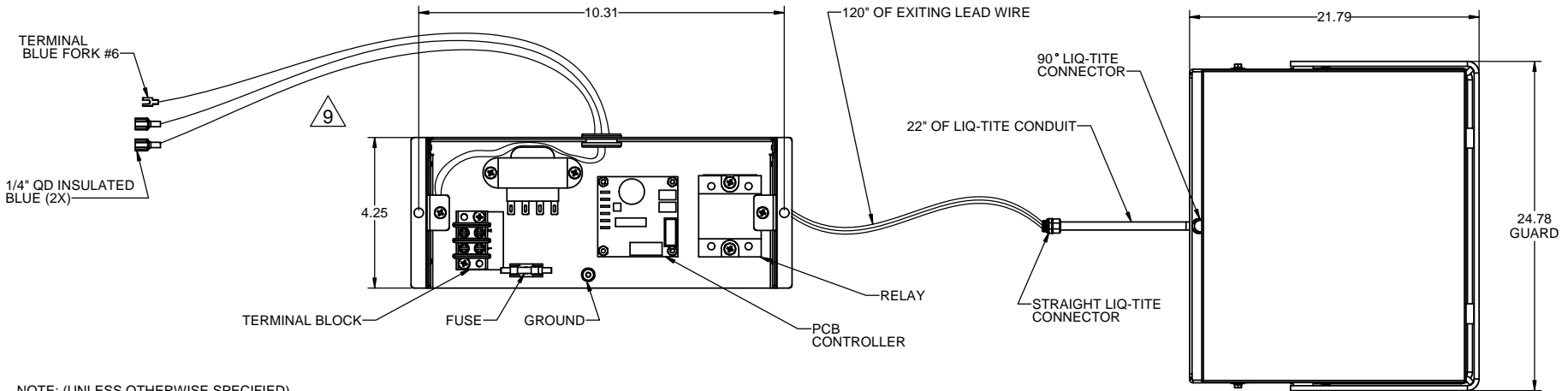
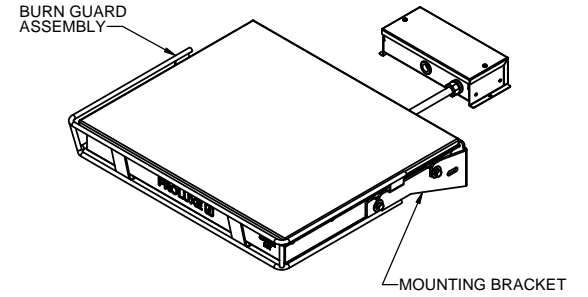
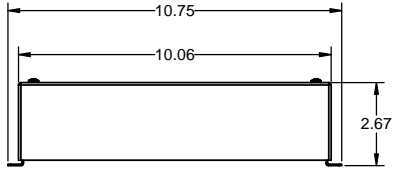
BY	DATE		20281 Hanvil Ave Perris, CA 92570 Tel: (951)657-0379 Fax: (951)657-4604
DR: G. RODRIGUEZ	12/08/17		
CHK:		TITLE	
DSGN: G. RODRIGUEZ	12/08/17	TW2023TBVCED SPECIFICATIONS	
THIRD ANGLE PROJECTION			REV
			A
CALCULATED WEIGHT: LBS		BLANK SIZE:	SCALE: 1:8
		LOC:	SHEET 1 OF 2

POWER SPECIFICATIONS

VAC: 230
 AMPS: 7.44
 WATTS: 1712
 50/60 HZ
 SET POINT: 430°F ± 10°F, RANGE: 420°F - 440°F

THE INFORMATION CONTAINED IN THIS DOCUMENT IS PROPRIETARY AND SOLELY THE PROPERTY OF PROLUXE ANY USE, REPRODUCTION, OR DISCLOSURE OF THIS INFORMATION, IN THE WHOLE OR IN PART, WITHOUT THE EXPRESS CONSENT OF PROLUXE IS STRICTLY PROHIBITED.

REVISIONS					
ZONE	ECO	REV.	DESCRIPTION	DATE	APPR
-	-	N/C	INITIAL RELEASE	12/08/17	G.R.



NOTE: (UNLESS OTHERWISE SPECIFIED)

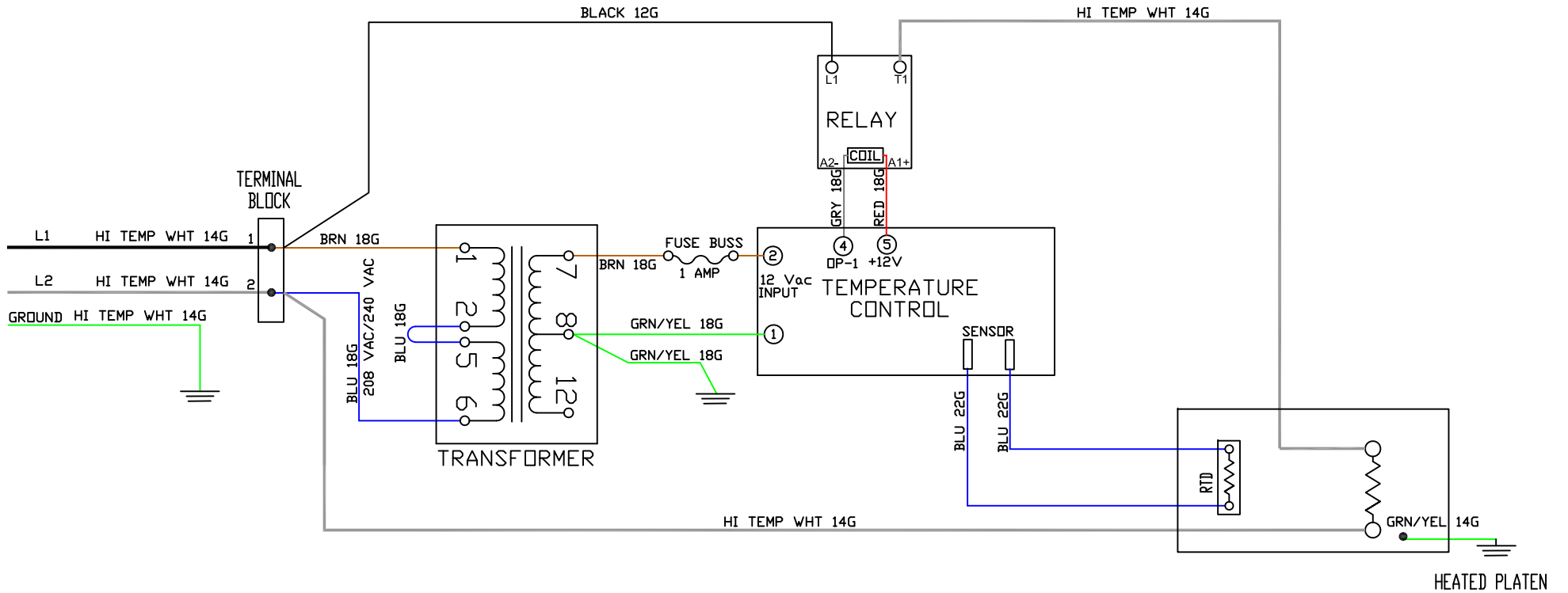
1. INTERPRET DIMENSIONS AND TOLERANCE PER ANSI Y14.5-2009
 2. PLATEN WILL BE WIRED TO THE ELECTRICAL COMPONENTS DURING INSTALLATION ON SITE ALL WIRE TERMINATION WILL BE COMPLETED PRIOR TO SHIPPING
 3. 3/8" STAINLESS STEEL BURN GUARD
 4. 22" LIQ-TITE CONDUIT
 5. 90 DEGREE LIQ-TITE CONNECTOR AT ONE END OF CONDUIT, STRAIGHT LIQ-TITE CONNECTOR AT THE OTHER END
 6. 120" OF LEAD WIRE COMING OUT OF CONDUIT END
 7. HIGH TEMPERATURE LIMITER
 8. LOAD WIRES WILL USE FORKED TERMINALS
9. (2X) 73" HEATER WIRE AND 73" GROUND WIRE CONNECTED TO ELECTRICAL HOUSING ASSY WITH TERMINALS

BY	DATE		20281 Havill Ave Perris, CA 92570 Tel: (951)657-0379 Fax: (951)657-4604
DR: G. RODRIGUEZ	12/08/17		
CHK:		TITLE TW2023TBVCE SPECIFICATIONS ELECTRICAL	
DSGN: G. RODRIGUEZ	12/08/17	THIRD ANGLE PROJECTION	
		DWG. NO. B SSTW2023TBVCE	REV A
CALCULATED WEIGHT: LBS BLANK SIZE:		SCALE: 1:8	IFC: SHEET 2 OF 2

PARTS LIST FOR MODEL TW2023TBVCD

ITEM NO.	DESCRIPTION	PART NUMBER	QTY.
1	CONDUIT, CONNECTOR LIQ-TITE 3/8" 90 DEGREE	TP12124	1
2	2023 BURN GUARD ASSEMBLY	110108642	1
3	SCREW, BUTTON HD 3/8-16 X 1/2 SST	SB381612S	4
4	BOLT, HEX 5/16-18 X1	BH516181	4
5	WASHER, CUT 5/16"	WC516	8
6	WASHER, 5/16" SPLIT LOCK	WL516	4
7	HOLDER, SENSOR	110108881	1
8	RTD SENSOR STRAIGHT 160" WITH 2270 TERMINALS	11018283818	1
9	SCREW, PAN HEAD PHILLIPS 6-32 X 1/4	SP63214	4
10	WASHER SAE # 6	WSAE6	9
11	SHROUD ASSEMBLY	110115101	1
12	ACCESS PANEL COVER	110108651	1
13	SCREW, PAN HEAD PHILLIPS 8-32 X 3/8 STAINLESS STEEL	SP83238S	2
14	INSULATION STRIP FLEX WRAP 23-1/2"	1101086256	2
15	INSULATION STRIP FLEX WRAP 20"	1101086257	2
16	SCREW, PAN HEAD PHILLIPS 10-24 X 3/8 STAINLESS STEEL	SP102438S	18
17	CONDUIT 3/8" LIQ-TITE	TP12128	1.83 FT
18	CONDUIT, CONNECTOR LIQ-TITE 3/8" STRAIGHT	TP12126	1
19	TW2023 INSULATION 1" THICK	1101086258	1
20	TW2023 FIBERGLASS INSULATION (15X18.5")	TP16958	1
21	TW2023 FIBERGLASS INSULATION (7X18.5")	TP16959	1
22	HEAT SINK, ALUMINUM PAD	11057322	1
23	TRANSFORMER	11096975	1
24	TERMINAL BLOCK # 2, DOUBLE	6012	1
25	FUSE BUSS 1 AMP	MPPF701R	1
26	MARKER STRIP # 2	MS6012	1
27	FUSE HOLDER 1 AMP	MPPF708	1
28	RELAY, SOLID STATE	MPR90217	1
29	SCREW, PAN HEAD PHILLIPS 8-32 X 1/2	SP83212	4
30	COVER, ELECTRICAL HOUSING	11016938813	1
31	GROMMET PUSH IN FLEXIBLE RUBBER 5/8 ' I.D.	110026953	1
32	WASHER, INTERNAL TOOTH LOCK #6	WLIT6	3
33	BRACKET, ELECTRICAL MOUNTING	11016938810	1
34	SCREW, PHILLIPS PAN HEAD 2-56 X 1/4	SP25614	1
35	SCREW, PAN HEAD PHILLIPS 8-32 X 1/4	SP83214	4
36	NUT, HEX 6-32	NH632	3
37	PCB CONTROLLER	16988052	1
38	NYLON SPACER, 1/4 X .141 X 9/32 LONG	110969111	4
39	HEX NUT, 4-40	NH440	4
40	MOUNTING BRACKET 2023	110108671	1
41	WIRE HARNESS	1101151050	1
42	MANUAL, TW2023 TACO BELL "V-LINE FOR CE"	MTW2023TBVCD	1
A1	PLATEN WIRING ONLY	TP15132K	1
A2	PLATEN SHROUD ASSEMBLY	TP15132AK	1
A3	PCB CONTROL ASSEMBLY	110169388052K	1
A4	ELECTRICAL HOUSING ASSEMBLY	110169388052AK	1

VAC: 230
AMPS: 7.44
WATTS: 1712



MASTER COPY
Date 05-30-19

Warranty & Return Policy

Proluxe warrants all products manufactured by it against defects in workmanship or materials from the date of purchase for a period of (1) year on parts and **labor**. **This warranty applies to only equipment purchased and used in the United States.** Warranty period shall begin when equipment ships. Warranty travel shall only be covered for 60 miles. Limited lifetime warranty on heating elements.

ALL WARRANTY SERVICE CALLS MUST BE APPROVED BY PROLUXE. IF THIS PROCEDURE IS NOT FOLLOWED, WARRANTY SERVICE WILL NOT BE COVERED. WARRANTY SERVICE WILL BE PAID ON STRAIGHT TIME, OVERTIME WILL NOT BE COVERED.

Exclusions:

- 1. WOOD / GAS FIRED OVENS:** PROLUXE warranty applies to the main body of the oven being steel / refractory and insulation shall be free from defects in materials and workmanship for a period of four years from the date of purchase. The gas equipment shall be free from defects in materials and workmanship for a period of one (1) year from the date of purchase. Lifetime warranty against cracks on oven floor.
- 2. Air compressors are excluded from this warranty,** but PROLUXE may act as a warranty expeditor in certain instances regarding these compressors. The air compressor manufacturer provides a limited warranty and a copy of this warranty is furnished with all compressors sold by PROLUXE. For prompt handling of compressor warranty claims the instructions of the compressor manufacturer must be adhered to.
- 3. Equipment built to special order as well as accessories** cannot be canceled and are not returnable unless defective within the terms of this warranty.
- 4. In no event shall PROLUXE be liable for consequential damages arising out of the failure of any of its products if operated improperly, altered or caused by normal wear or damage by operator abuse.**
- 5. BC2325 pedestal warranty disclaimer:** Pedestals shall only be covered under warranty if they have been cleaned using the factory approved cleaning method. Cracked or damaged pedestals must be inspected by the factory before warranty is authorized.
- 6. Limited lifetime warranty on heating elements:** If replacement is needed, Proluxe will send the new part at no charge but **labor** will not be covered unless the unit is still under the 1 year manufacture warranty.

Returned Merchandise Policy:

Should it become necessary to return any of the company's products, the following instructions must be adhered to: First, contact our customer service department for approval and a return authorization number. *Please have the serial number of your item available at that time.* All merchandise must be shipped *freight prepaid* by customer or service agency. Subject to the inspection of the product by the company, a restocking charge of 20% of the Net purchased price paid to PROLUXE will be assessed. Merchandise may not be returned for credit without *prior written approval* of PROLUXE. Collect shipments *will not* be accepted. No returns after 60 days of original shipment date on machines. Purchased parts may not be returned after 30 days.

If upon inspection by PROLUXE or its authorized agent it is determined the equipment has not been used in an appropriate manner, has been modified, or has not been properly maintained, or has been subject to misuse, misapplication, neglect, abuse, accident, unauthorized modification, damage during transit, delivery, fire, flood, act or war, riot or act of God, then this warranty shall be deemed null and void.

Terms & Conditions:

1. Prices indicated in the PRICE LIST are suggested retail prices and are shown in U.S. DOLLARS.
2. Terms of Payment: 1% 10 days, NET 30 days.
3. **NEW ACCOUNTS:** Satisfactory credit information must be provided before open account status can be extended. Unless agreed otherwise, all shipments will be made C.O.D., CASH IN ADVANCE.
4. **PRICING:** Prices, specifications, model numbers, capacities and accessories are subject to change without notice.
5. **FREIGHT / ROUTING:** Method of shipment will be determined by PROLUXE unless otherwise advised by PURCHASER.
6. **DAMAGED CLAIMS:** All merchandise shipped at purchaser's risk. Inspection must be made by purchaser at time goods are received. If goods are damaged, the PURCHASER shall request that the agent of the transportation company make a written notation on the proper shipping documents immediately and then file a claim for damage. **GOODS DAMAGED IN SHIPMENT ARE NOT RETURNABLE.**
7. **RETURNS:** Machines may not be returned after 60 days. Purchased parts may not be returned after 30 days. A restocking fee of 20% will be assessed on non-warranty returns.
8. **TAXES:** Prices indicated herein DO NOT include State, Federal, Local or foreign taxes or duties, nor do they include fees, permits, insurance or other levies, all of which are the responsibility of the purchaser.
9. All orders are subject to acceptance by PROLUXE.
10. Possession of this price list shall not be considered an offer to sell.