

Operations Manual

Model: SL1577Y
Split Lid Grill



TACO BELL®



PROGRILL™



PROLUXE™

formerly DOUGHPRO. New Name. Same Quality. Superior Service.

proluxe.com

rev8 - 91613

Operation Instructions

Please read carefully before attempting to use this appliance.

Step 1. Carefully unpack and clean grill plates with mild soap then sponge clean with cold water.

Step 2. Place in location where it will be used allowing for clearances per the dimensions indicated.

WARNING! Allow 2" minimum clearance between adjacent equipment and/or wall areas.

Do not touch hot surfaces.

Step 3. Plug into proper 3 prong wall outlet. If other appliances are connected to the same circuit make sure the total load does not exceed maximum ampacity of the circuit. Electrical information is as follows:

120V/ 60Hz/1 phase/2200W/18.3 Amps

208V/60Hz/1 phase/2800W/13.5 Amps

220V/60Hz/1 phase/2200W/10.0 Amps

Step 4: Warm-up

Energize by turning on the power switch which will illuminate when turned on. The display flashes and shows left preset timer during warm-up. Pre-heat temperature time will be 40-50 minutes. When the set point is reached, the display stops flashing and beeps 3 times.

Step 4: Operation

Simply place product on either side of the grill, close lid and press the desired pre-set time cycle 10 or 20 seconds. After the time cycle is finished press it again to reset the time cycle.

Cleaning Instructions

NOTE! Always turn off power and allow to cool down before attempting to clean. ***Never submerge grill in water or other liquid nor use mineral spirits or other flammable material to clean this appliance.***

!Never use ice to cool down grill, warranty will be void!

Clean stainless steel and griddle surfaces with soap and water using a soft, clean cloth periodically as required, but at least once daily. Never use harsh abrasives. Use only non-abrasive scouring pads when required.

Clean Cycle

275°F is the factory default temp for the CLEAN cycle. To change the CLEAN cycle temp, simultaneously hold down the TEMP and CLEAN buttons for 15 seconds. The current temp setting will display on the right digital display only. Using the up or down arrows to adjust to the desired temp.

To start a clean cycle, push CLEAN button once so the CLEAN LED light is turned on. All preset LED's are turned off, and the temperature set point is changed to the clean set point of 275°F. This also initiates the cool down to clean set point condition as well the display starts flashing until the clean set point is reached.

To stop the clean cycle, simply press the CLEAN button once to deactivate the clean cycle. The CLEAN LED is turned off, the preset LED's are restored, the temperature set point is changed to the main set point. Again, the warm-up condition is initiated and the display flashes until the cook set point is reached.

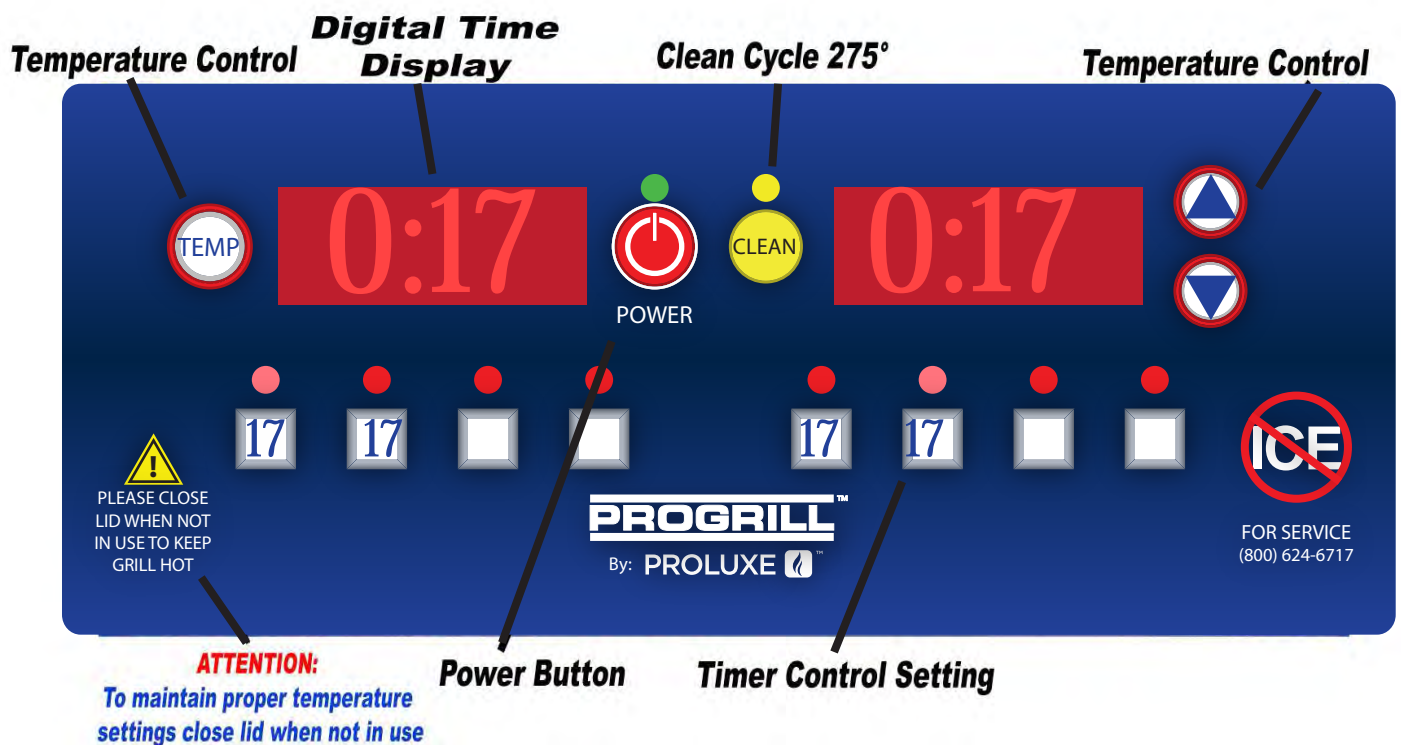


SL1577 Operating Instructions:

1. Press desired time to start the time cycle. After the cycle is finished, press it again to reset the time cycle

HOW TO FIND TEMPERATURE

1. To find the temperature of the UPPER PLATENS:
Press the TEMPERATURE button and the ARROW UP button at the same time.
2. To find the temperature of the LOWER PLATENS:
Press the TEMPERATURE button and the ARROW DOWN button at the same time



Instruction's for Adjusting the Temperature

PRESS and hold the **TEMP** and **ARROW** up buttons **simultaneously** for **15 seconds**.

The current temperature setting will display on the right digital display only.

Using the **ARROW** buttons, you may now adjust the temperature to your desired setting.

Once you have set your desired temperature simply push the **TEMP** button. The digital displays will now read the preset times.



Instruction's for Adjusting the Set-Time

Press the **TEMP** button **first** and then the **desired timer button** and **continue to hold both** for **5 seconds**.

The digital displays will now read their preset times as shown here. Each side is capable of having up to 4 different settings, making a total of 8 set-times.

Now using the **ARROW** buttons you can set your desired time.



Once you have set the desired time simply press the **TEMP** button, the unit will display the new set-time.

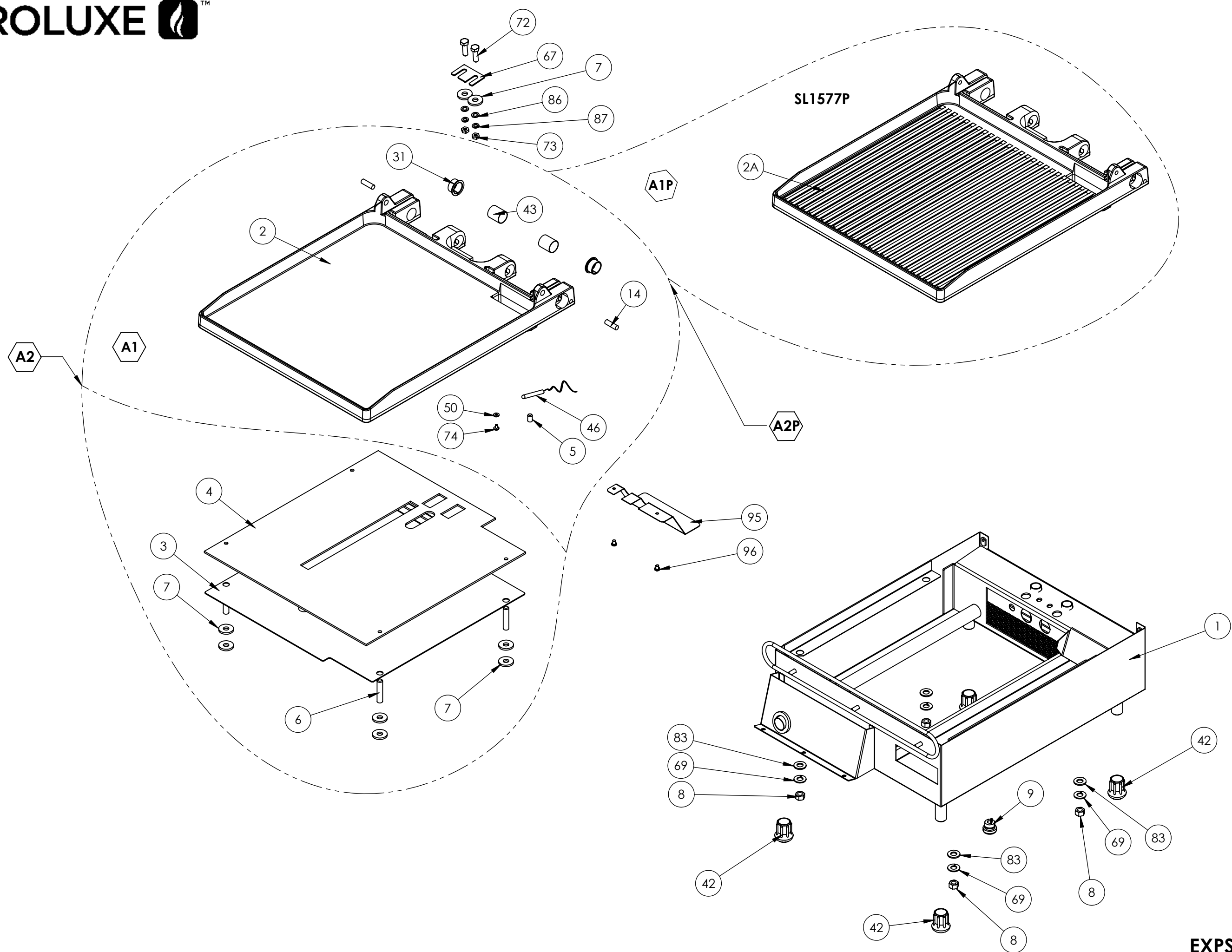
***IMPORTANT NOTE:** When adjusting the time settings, The **RIGHT SIDE** time buttons control the left side, so the same time you set on the right will automatically be set to the left side accordingly. If you desire an additional set of times you can adjust the left side **AFTER** you have adjusted the right side without effecting the right side settings.

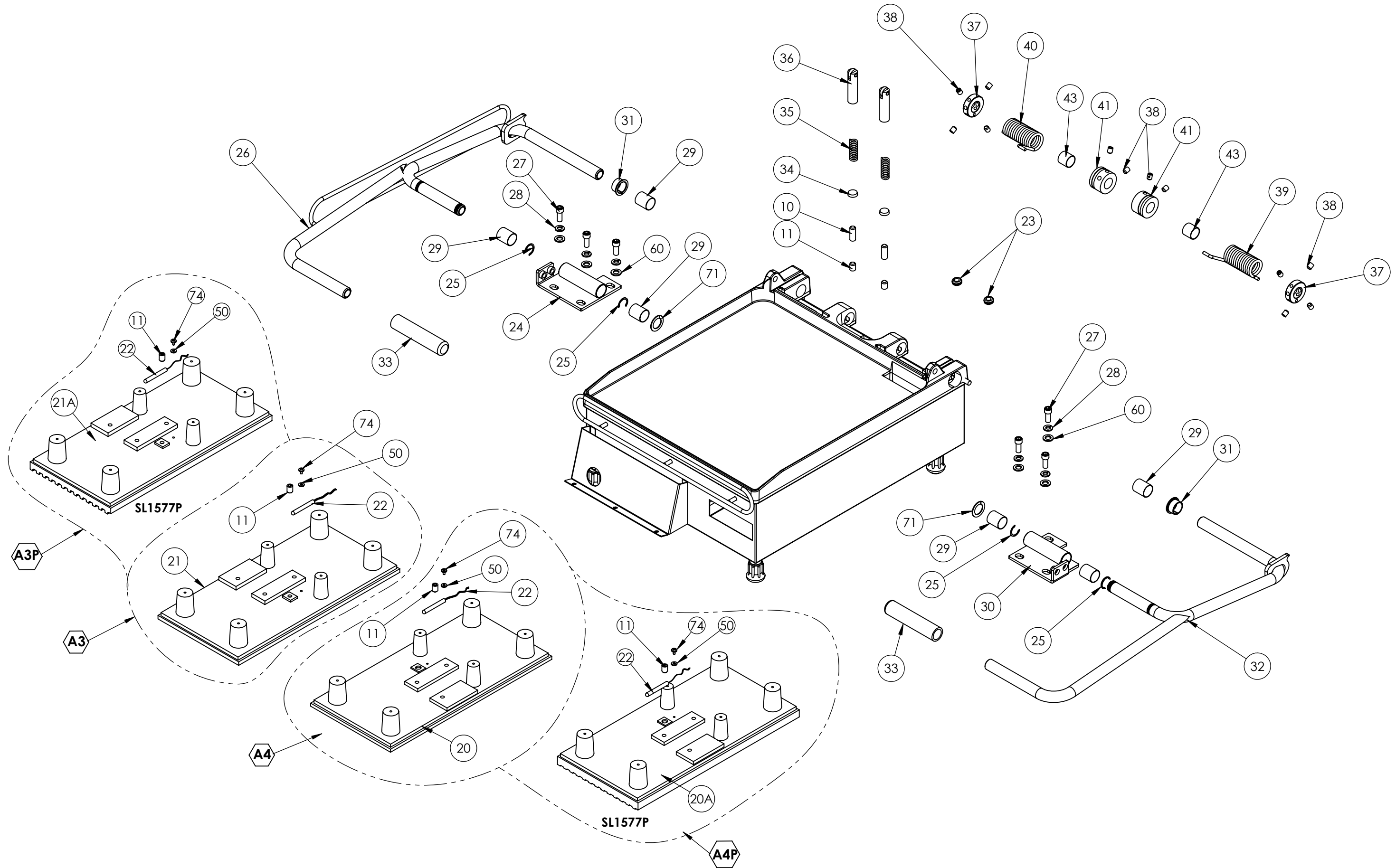
DOUGHPRO
SL1577 Split Lid Grill Trouble Shooting Guide

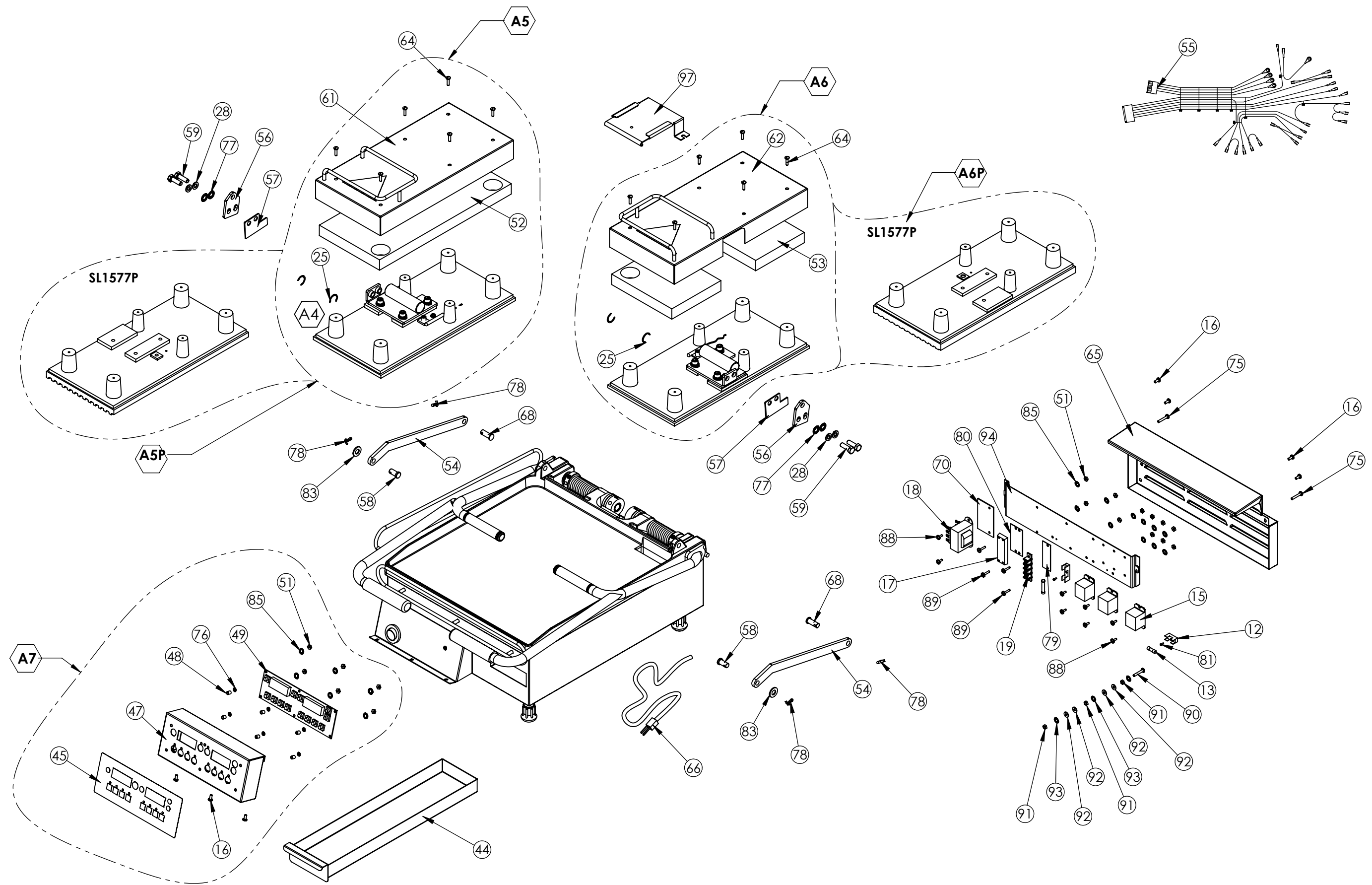
Symptom	Probable Cause	Action to be Taken	Parts List Ref. #
Power Button on Control face is depressed but doesn't turn on.	Power Cord is not plugged in.	Plug power cord into wall 's receptacle and depress power button on controller	—
	Circuit Breaker is tripped off in the site's breaker box	Reset circuit breaker that the Grill is plugged into. Depress Power Button to turn on.	—
	Transformer has taken a electrical surge and is damaged	Replace Transformer	18
	Check voltage on the secondary side of the Transformer. If you read 12VDC then you are receiving voltage to the Controller.	Replace Controller. Controller should be on once the power button is depressed.	A8
	Possibly blown Fuse	Check fuse and repace if necessary	# 98
Digital Controller's LED's are scrambled or randomly irratic	Possibly a componet on the Digital Controller is damaged	Replace the Digital Controller.	# A8
	Possibly control needs to reset	While unit is on (controller lit up) Unplug unit, wait for 1 min. then plug machine on and depress power button.	—
Digital Controller is constantly Beeping No heat on either on left right Upper, or Lower Platen. Depress Temp. While depressing Temp., depress either up or down arrow to locate error message,"PROB" (zone 1, Lower Platen, zone 2 Left Upper Platen, zone 3, right Upper Platen.) . If occurred when depressing the up arrow indicates either the left or right Upper Platen has the open sensor or probe. same goes for the down arrow indicating Lower Platen.	Sensor in one of two zones lost it's continuity. Depress Temp. While depressing Temp., depress either up or down arrow to locate error message,"PROB" (zone 1, Lower Platen, zone 2 Left Upper Platen, zone 3, right Upper Platen.) . If occurred when depressing the up arrow indicates either the left or right Upper Platen has the open sensor or probe. same goes for the down arrow indicating Lower Platen	Disconnect prob and check for continuity (by using Ohm Meter) and replace. Do not cut and splice new sensor. Install new 2000 ohm RTD sensor to under side of Heat Platen and reconnect to Controller. Upper left and right sensor for replacement on upper platens, Lower Platen sensor for replacement for Lower Platen.	# 22 # 46
Digital Controller is beeper chirping and is over heating.	The Mechanical Relay on the switched side is not opening to regulate temperture. Same as above, hold Temp button then depress either the down or up arrow (zone 1, Lower Platen, zone 2 Left Upper Platen, zone 3, right Upper Platen.) which ever zone is the problem, you will see RLY indicating the damage (in closed position) .	Replace the Mechanical Relay.	#15
One of the three Heater Platens not close to set point.	The offset function in the Controller's setting needs to be adjusted to achieve proper shade of toast.	Call Doughpro (800) 624-6717 for instructions. This information must not to be given to operators of the SL1577. They may get confused and cause further temperature discrepancies.	—
Beeper not functioning	Beeper has failing.	Replace Controller board	# A8

DOUGHPRO
SL1577 Split Lid Grill Trouble Shooting Guide

Symptom	Probable Cause	Action to be Taken	Parts List Ref. #
Either Heater Platen is not Heating but the Digital Controller is on and appears to be functioning.	If the Mechanical Relay (s) on the coil side are receiving 12vdc indicates the Controller is functioning properly. On the switching side of the relay, is the rated voltage for the Model(120,208, or 220~AC) going to the heater in question? If there is no voltage on the to the switching side of the relay to the heaters, the Relay is not working properly	Replace Mechanical Relay.	# 15
Heater Platen overheating	The mechanical Relay may be stuck in the closed position (zone 1, Lower Platen #1 labeled on this relay, zone 2, left upper and zone 3, right upper).	Replace Mechanical Relay.	# 15
	If you are receiving 12vdc on the coil of the relay, the Controller is properly functioning thus maybe you have a break in the wire to the heater (s) or the Heater Platen lost it's continuity	One of the Heater's embedded into to the Heated Aluminum Platen may have lost Continuity. With use of a Ohm Meter a condinuity check must check at the cold pins of the heater (where the heater wire is brazed at the cold pin. This will eliminate any other failue before the the heater element validating the loss off condinuity at the source (Heater Element). If so, either the Upper left (zone 2), right (zone 2) or Lower	#15
Either Upper Heater not coming down parallel to the Lower Heater Platen.	Parallel Lever not attached either in the rear out on the Upper Heater Platen. Check to see if Parallel leveler is connected on both sides. The retaining clip attached to pin may have come off.	Reconnect the pin and the retaining E-Clip.	# 25
Upper Platen falling down or lost It's retension .	Possibly the Springs (2, one for each Upper Heater Platen has lost some retension.	Remove rear panel and adjust the retaining collars on shaft by winding spring tighter. There are mutple set screws that need to be loosened in order to wind the spring tighter. Once achieving proper tension be sure to tighten all set screws so that tension isn't lost again.	—
If one heating zone is not reaching setpoint and another heater is overheating	Sensors maybe crossed	Make sure each sensor is connected to it's prospective postion on the terminal block which in turn to the Controller.	—







SL1577

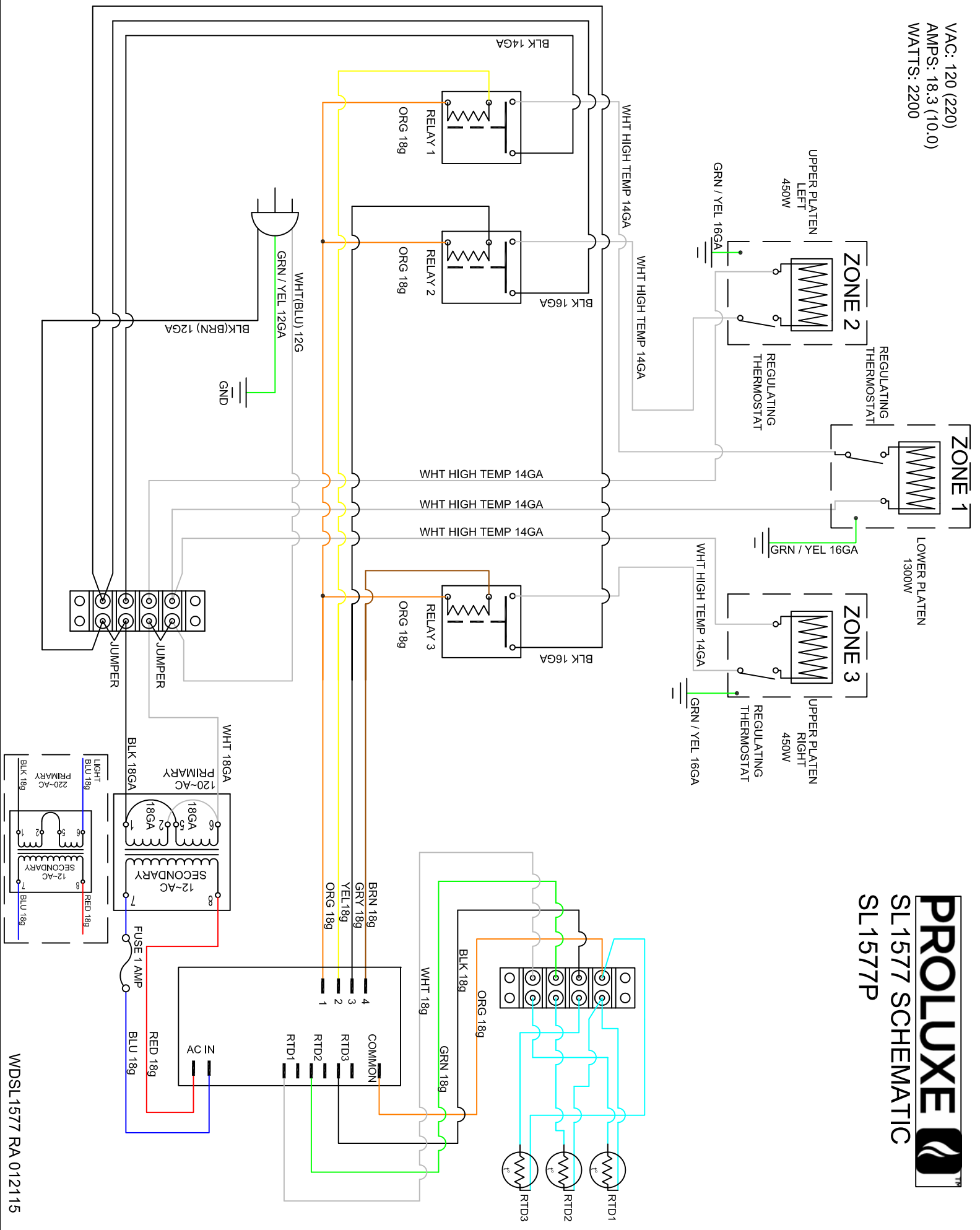
		MODEL	MODEL	MODEL	MODEL	MODEL	QTY.
		SL1577YA	SL1577A/ SL1577P	SL1577B/ SL1577P	SL1577C/ SL1577P	SL1577E/ SL1577P	
ITEM #	PART NAME	120 V	120 V	220 V	220 V	208 V	
1	LOWER WRAP AROUND SHROUD ASSEMBLY	110115501	110115501	110115501	110115501	110115501	1
3	LOWER PLATEN INSULATION	110115542	110115542	110115542	110115542	110115542	1
4	COVER, LOWER PLATEN ASSEMBLY	110115506	110115506	110115506	110115506	110115506	1
5	SCREW, SET 5/16-18 X 1/2	SST5161812	SST5161812	SST5161812	SST5161812	SST5161812	1
6	SCREW, SET 3/8-16 X1-3/4	SST3816134	SST3816134	SST3816134	SST3816134	SST3816134	4
7	GREEN INSULATION WASHER	C4401	C4401	C4401	C4401	C4401	10
8	HEX NUT 3/8-16	NH3816	NH3816	NH3816	NH3816	NH3816	4
9	STRAIN RELIEF	11016546468	11016546468	11016546468	11016546468	11016546468	1
10	SCREW, SET 3/8-16 x 1.0	SST38161	SST38161	SST38161	SST38161	SST38161	2
11	SCREW, SET 3/8-16 x 1/2	SST381612	SST381612	SST381612	SST381612	SST381612	4
12	FUSE HOLDER 1 AMP	MPPF708	MPPF708	MPPF708	MPPF708	MPPF708	1
13	FUSE BUSS 1 AMP	MPPF701R	MPPF701R	MPPF701R	MPPF701R	MPPF701R	1
14	PIN, BACK STOP	110115543	110115543	110115543	110115543	110115543	2
15	RELAY	110942520	110942520	110942520	110942520	110942520	3
16	SCREW, PAN HEAD PHILLIPS 8-32 x 3/8 SST	SP83238S	SP83238S	SP83238S	SP83238S	SP83238S	7
17	4 STAGE TERMINAL BLOCK DOUBLE	6014	6014	6014	6014	6014	1
18	TRANSFORMER	11096975	11096975	11096975	11096975	11096975	1
19	4 STAGE TERMINAL BLOCK SINGLE	6994	6994	6994	6994	6994	1
22	RTD SENSOR	1108881101	1108881101	1108881101	1108881101	1108881101	2
23	GROMMET 5/16 x 1/2	110115554	110115554	110115554	110115554	110115554	2
24	CLEVIS ASSEMBLY LEFT HAND	110115503	110115503	110115503	110115503	110115503	1
25	E-CLIP, RETAINING RING	LCC3478	LCC3478	LCC3478	LCC3478	LCC3478	4
26	HANDLE LEFT ASSEMBLY	110115522	110115522	110115522	110115522	110115522	1
27	SCREW, SOCKET HEAD 5/16-18 x 3/4	SSH5161834	SSH5161834	SSH5161834	SSH5161834	SSH5161834	6
28	WASHER 5/16, SPLIT LOCK	WL516	WL516	WL516	WL516	WL516	10
29	BUSHING TEFLON 1" LONG	110115541	110115541	110115541	110115541	110115541	6
30	CLEVIS ASSEMBLY RIGHT HAND	110115504	110115504	110115504	110115504	110115504	1
31	FLANGED BUSHING TEFLON 1/2" LONG	110115563	110115563	110115563	110115563	110115563	2
32	HANDLE RIGHT ASSEMBLY	110115521	110115521	110115521	110115521	110115521	1
33	HANDLE GRIP	110901168	110901168	110901168	110901168	110901168	2
34	TUBING PAD	110115531	110115531	110115531	110115531	110115531	2
35	SPRING, DETENT 1-1/2 LONG	110115555	110115555	110115555	110115555	110115555	2
36	PLUNGER ASSEMBLY	110115544	110115544	110115544	110115544	110115544	2
37	HANDLE SPRING ADJUSTING COLLAR	110115528	110115528	110115528	110115528	110115528	2
38	SCREW SET KNURLED CUP POINT 5/16-18 X 3/8	SST5161838KN	SST5161838KN	SST5161838KN	SST5161838KN	SST5161838KN	12
39	COUNTER BALANCE SPRING RIGHT HAND	1101023154R	1101023154R	1101023154R	1101023154R	1101023154R	1
40	COUNTER BALANCE SPRING LEFT HAND	1101023154L	1101023154L	1101023154L	1101023154L	1101023154L	1
41	COLLAR HOLDER	110115530	110115530	110115530	110115530	110115530	2
42	FEET, RUBBER 3/4"	11016546469	11016546469	11016546469	11016546469	11016546469	4
43	BUSHING TEFLON 3/4" LONG	110113441	110113441	110113441	110113441	110113441	2
44	GREASE TRAY	110115505	110115505	110115505	110115505	110115505	1
45	OVERLAY	ODSL1577Y	OPROCD301515	OPROCD301515	OPROCD301515	OPROCD301515	1
46	SENSOR	1108881102	1108881102	1108881102	1108881102	1108881102	1
47	INSTRUMENT HOUSING ASSEMBLY	110115511	110115511	110115511	110115511	110115511	1
48	NYLON SPACER 1/4" x .141 x 9/32 LONG	11090109	11090109	11090109	11090109	11090109	6
49	DIGITAL CONTROL	1101041052	1101041052	1101041052	1101041052	1101041052	1
50	WASHER, SAE #6	WSAE6	WSAE6	WSAE6	WSAE6	WSAE6	9
51	NUT, HEX 6-32	NH632	NH632	NH632	NH632	NH632	18
52	INSULATION UPPER PLATEN LEFT HAND	110888251L	110888251L	110888251L	110888251L	110888251L	1
53	INSULATION UPPER PLATEN RIGHT HAND	110888251R	110888251R	110888251R	110888251R	110888251R	1
54	TOP LINK	110115508	110115508	110115508	110115508	110115508	2
55	WIRE HARNESS	1101101050	1101101050	1101101050	1101101050	1101101050	1
56	UPPER LEVELING BRACKET	110115510	110115510	110115510	110115510	110115510	2
57	UPPERLEVELING SHIM	110115557	110115557	110115557	110115557	110115557	2
58	PIN, PIVOT FRONT	11016546465	11016546465	11016546465	11016546465	11016546465	2

SL1577

		MODEL	MODEL	MODEL	MODEL	MODEL	QTY.
		SL1577YA	SL1577A/ SL1577P	SL1577B/ SL1577P	SL1577C/ SL1577P	SL1577E/ SL1577P	
ITEM #	PART NAME	120 V	120 V	220 V	220 V	208 V	
59	BOLT, HEX 5/16-18 X 1.0 SST	BH516181S	BH516181S	BH516181S	BH516181S	BH516181S	4
60	WASHER, CUT 5/16	WC516	WC516	WC516	WC516	WC516	6
61	SHROUD, LEFT ASSEMBLY	11016546454	11016546454	11016546454	11016546454	11016546454	1
62	SHROUD, RIGHT ASSEMBLY	11016546455	11016546455	11016546455	11016546455	11016546455	1
64	SCREW, PAN HEAD SLOTTED 10-24 X 5/8 SST	SPS102458S	SPS102458S	SPS102458S	SPS102458S	SPS102458S	12
65	BACK COVER	110115562	110115562	110115562	110115562	110115562	1
66	POWER CORD	1101217174	1101217174	1101217175	MPPW202	1101217175	1
67	SHIM, LOWER PLATEN	11060420	11060420	11060420	11060420	11060420	1
68	PIN PIVOT BACK	11016546467	11016546467	11016546467	11016546467	11016546467	2
69	WASHER, 3/8 SPLIT LOCK	WL38	WL38	WL38	WL38	WL38	4
70	TRANSFORMER INSULATION	1101159180	1101159180	1101159180	1101159180	1101159180	1
71	SHIM, CLEVIS	11060421	11060421	11060421	11060421	11060421	2
72	BOLT, HEX 1/4-20 X 1.0	BH14201	BH14201	BH14201	BH14201	BH14201	2
73	NUT, SERRATED FLANGED HEX 1/4-20	NHSF1420	NHSF1420	NHSF1420	NHSF1420	NHSF1420	2
74	SCREW, PAN HEAD, PHILLIPS 6-32 X 1/4	SP63214	SP63214	SP63214	SP63214	SP63214	3
75	SCREW, PAN HEAD, PHILLIPS 8-32 x 1-1/2 SST	SP832112S	SP832112S	SP832112S	SP832112S	SP832112S	2
76	WASHER, STEEL	311150019	311150019	311150019	311150019	311150019	6
77	WASHER, 5/16 INTERNAL TOOTH LOCK	WLIT516	WLIT516	WLIT516	WLIT516	WLIT516	4
78	PIN, COTTER	11016546468	11016546468	11016546468	11016546468	11016546468	4
79	MARKER STRIP, #4 SINGLE	MS6994	MS6994	MS6994	MS6994	MS6994	1
80	MARKER STRIP, #4 DOUBLE	MS6014	MS6014	MS6014	MS6014	MS6014	1
81	SCREW, PAN HEAD PHILLIPS 2-56 X 1/4	SP25614	SP25614	SP25614	SP25614	SP25614	1
83	WASHER, SAE 3/8	WSAE38	WSAE38	WSAE38	WSAE38	WSAE38	6
85	WASHER, #6 INTERNAL TOOTH LOCK	WLIT6	WLIT6	WLIT6	WLIT6	WLIT6	18
86	WASHER, SAE 1/4	WSAE14	WSAE14	WSAE14	WSAE14	WSAE14	2
87	WASHER, 1/4 SPLIT LOCK	WL14	WL14	WL14	WL14	WL14	2
88	SCREW, PAN HEAD PHILLIPS 6-32 x 3/8	SP63238	SP63238	SP63238	SP63238	SP63238	8
89	SCREW, PAN HEAD PHILLIPS 6-32 x 5/8	SP63258	SP63258	SP63258	SP63258	SP63258	4
90	SCREW, PAN HEAD PHILLIPS 8-32X1.0	SP8321	SP8321	SP8321	SP8321	SP8321	1
91	NUT, HEX 8-32	NH832	NH832	NH832	NH832	NH832	3
92	WASHER, SAE #8	WSAE8	WSAE8	WSAE8	WSAE8	WSAE8	4
93	WASHER, #8 INTERNAL TOOTH LOCK	WLIT8	WLIT8	WLIT8	WLIT8	WLIT8	3
94	MOUNTING BRACKET ASSEMBLY	110115559	110115559	110115559	110115559	110115559	1
95	COVER, HEATER ELEMENT	110115564	110115564	110115564	110115564	110115564	1
96	SCREW, PAN HEAD PHILLIPS 6-32 X1/4 ST	SP63214ST	SP63214ST	SP63214ST	SP63214ST	SP63214ST	2
97	SPATULA HOLDER	110115513	N/A	N/A	N/A	N/A	1
A1	LOWER PLATEN WITH WIRING	1101155207	1101155207	1101155208	1101155208	1101155209	1
A1P	LOWER PLATEN PANINI WITH WIRING	N/A	1101155307	1101155308	1101155308	1101155309	1
A2	LOWER PLATEN ASSEMBLY	1101155116	1101155116	1101155117	1101155117	1101155118	1
A2P	LOWER PLATEN PANINI ASSEMBLY	N/A	1101155316	1101155317	1101155317	1101155318	1
A3	UPPER PLATEN LEFT HAND WITH WIRING	1101155201	1101155201	1101155202	1101155202	1101155203	1
A3P	UPPER PLATEN PANINI LEFT HAND WITH WIRING	N/A	1101155301	1101155302	1101155302	1101155303	1
A4	UPPER PLATEN RIGHT HAND WITH WIRING	1101155204	1101155204	1101155205	1101155205	1101155206	1
A4P	UPPER PLATEN PANINI RIGHT HAND WITH WIRING	N/A	1101155304	1101155305	1101155305	1101155306	1
A5	UPPER PLATEN LEFT HAND ASSEMBLY	1101155110	1101155110	1101155111	1101155111	1101155112	1
A5P	UPPER PLATEN PANINI LEFT HAND ASSEMBLY	N/A	1101155310	1101155311	1101155311	1101155312	1
A6	UPPER PLATEN RIGHT HAND ASSEMBLY	1101155113	1101155113	1101155114	1101155114	1101155115	1
A6P	UPPER PLATEN PANINI RIGHT HAND ASSEMBLY	N/A	1101155313	1101155314	1101155314	1101155315	1
A7	KIT, CONTROLLER TEMP, WITH INSTRUCTIONS	1101041052K	1101041053K	1101041053K	1101041053K	1101041053K	1

VAC: 120 (220)
 AMPS: 18.3 (10.0)
 WATTS: 2200

PROLUXE
 SL1577 SCHEMATIC
 SL1577P





Warranty & Return Policy

Proluxe warrants all products manufactured by it against defects in workmanship or materials from the date of purchase for a period of (1) year on parts and labor. **This warranty applies to only equipment purchased and used in the United States.** Warranty period shall begin when equipment ships and will not exceed 90 days past the original shipment date. Warranty travel shall only be covered for 60 miles.

ALL WARRANTY SERVICE CALLS MUST BE APPROVED BY PROLUXE. IF THIS PROCEDURE IS NOT FOLLOWED, WARRANTY SERVICE WILL NOT BE COVERED. WARRANTY SERVICE WILL BE PAID ON STRAIGHT TIME, OVERTIME WILL NOT BE COVERED.

Exclusions:

- 1. WOOD / GAS FIRED OVENS:** PROLUXE warranty applies to the main body of the oven being steel / refractory and insulation shall be free from defects in materials and workmanship for a period of four years from the date of purchase. The gas equipment shall be free from defects in materials and workmanship for a period of one (1) year from the date of purchase. This warranty excludes the tandoori and home oven. Lifetime warranty against cracks on oven floor.
- 2. TANDOORI & HOME OVENS:** PROLUXE warrants the Tandoori & Home Oven including gas equipment shall be free from defects in materials and workmanship for a period of one (1) year from the date of purchase.
- 3. Air compressors are excluded from this warranty,** but PROLUXE may act as a warranty expeditor in certain instances regarding these compressors. The air compressor manufacturer provides a limited warranty and a copy of this warranty is furnished with all compressors sold by PROLUXE. For prompt handling of compressor warranty claims the instructions of the compressor manufacturer must be adhered to.
- 4. Equipment built to special order as well as accessories** are not returnable unless defective within the terms of this warranty.
- 5. In no event shall PROLUXE be liable for consequential damages arising out of the failure of any of its products if operated improperly or caused by normal wear or damage by operator abuse.**
- 6. BC2325 pedestal warranty disclaimer:** Pedestals shall only be covered under warranty if they have been cleaned using the factory approved cleaning method. cracked or damaged pedestals must be inspected by the factory before warranty is authorized.

Returned Merchandise Policy:

Should it become necessary to return any of the company's products, the following instructions must be adhered to: First, contact our customer service department for approval and a return authorization number. *Please have the serial number of your item available at that time.* All merchandise must be shipped *freight prepaid* by customer or service agency. Subject to the inspection of the product by the company, a restocking charge of 20% of the Net purchased price paid to PROLUXE will be assessed. Merchandise may not be returned for credit without *prior written approval* of PROLUXE. Collect shipments *will not* be accepted. No returns after 60 days of original shipment date on machines. Purchased parts may not be returned after 30 days.

If upon inspection by PROLUXE or its authorized agent it is determined the equipment has not been used in an appropriate manner, has been modified, or has not been properly maintained, or has been subject to misuse, misapplication, neglect, abuse, accident, unauthorized modification, damage during transit, delivery, fire, flood, act or war, riot or act of God, then this warranty shall be deemed null and void.

Terms & Conditions:

- Prices indicated in the PRICE LIST are suggested retail prices and are shown in U.S. DOLLARS.
- Terms of Payment: 1% 10 days, NET 30 days.
- NEW ACCOUNTS:** Satisfactory credit information must be provided before open account status can be extended. Unless agreed otherwise, all shipments will be made C.O.D., CASH IN ADVANCE.
- PRICING:** Prices, specifications, model numbers, capacities and accessories are subject to change without notice.
- FREIGHT / ROUTING:** Method of shipment will be determined by PROLUXE unless otherwise advised by PURCHASER.
- DAMAGED CLAIMS:** All merchandise shipped at purchaser's risk. Inspection must be made by purchaser at time goods are received. If goods are damaged, the PURCHASER shall request that the agent of the transportation company make a written notation on the proper shipping documents immediately and then file a claim for damage. **GOODS DAMAGED IN SHIPMENT ARE NOT RETURNABLE.**
- RETURNS:** Machines may not be returned after 60 days. Purchased parts may not be returned after 30 days. A restocking fee of 20% will be assessed on non-warranty returns.
- TAXES:** Prices indicated herein DO NOT include State, Federal, Local or foreign taxes or duties, nor do they include fees, permits, insurance or other levies, all of which are the responsibility of the purchaser.
- All orders are subject to acceptance by PROLUXE.
- Possession of this price list shall not be considered an offer to sell.