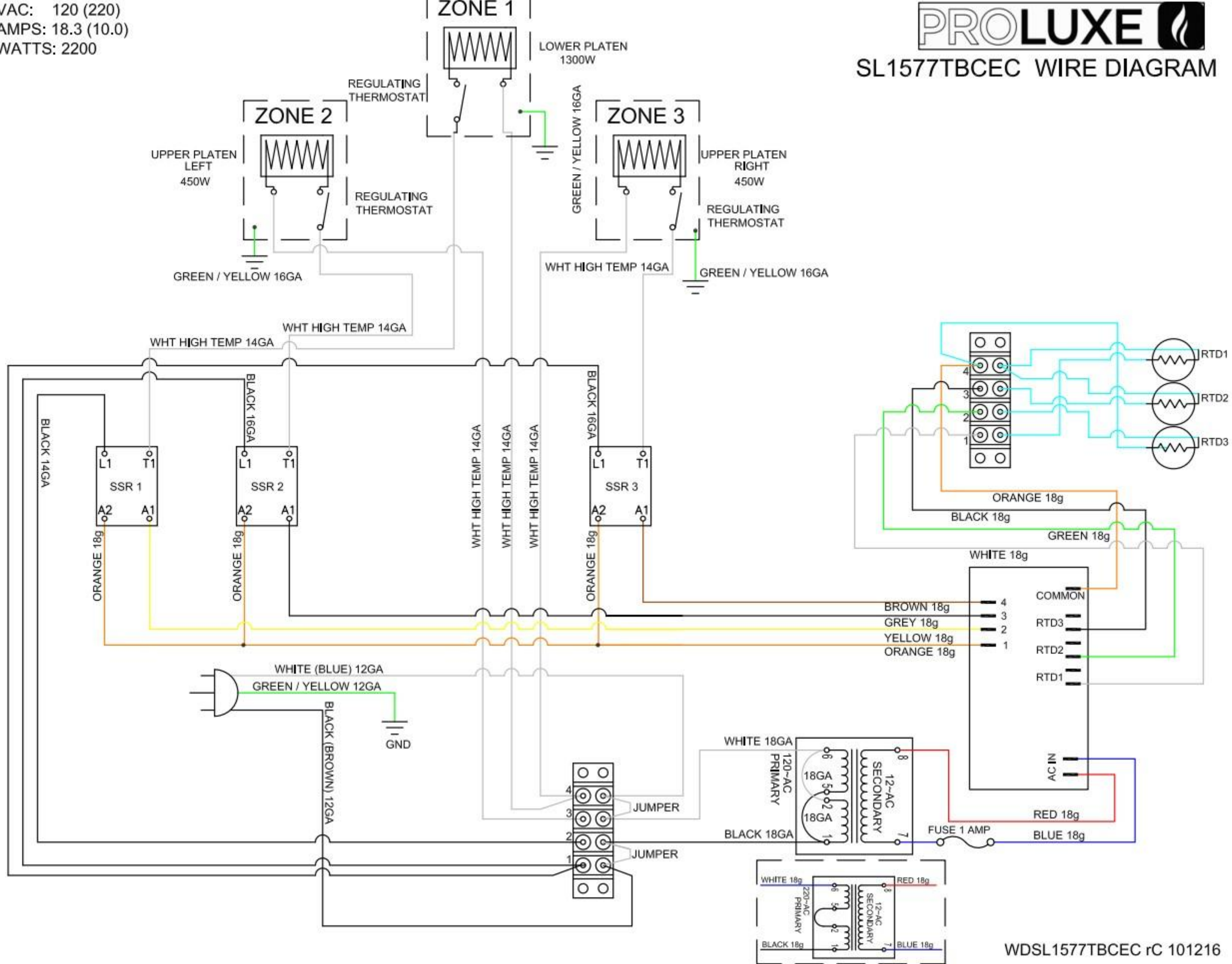


VAC: 120 (220)
 AMPS: 18.3 (10.0)
 WATTS: 2200



SL1577TBCEC WIRE DIAGRAM



VAC: 120 / 220
 AMPS: 18.3 / 10.0
 WATTS: 2200

PROLUXE 
 SL1577 WIRE DIAGRAM
 SL1577P

