

Operations Manual

Flex X2 - Economy Manual Clamshell Dough Press
Model #: PP2018



PROLUXE
WWW.PROLUXE.COM

Version: 52619

Introduction

Before attempting to operate your new PP2018 pizza press, take time to read these instructions. The press has been designed for use by even totally unskilled employees after just a few minutes of simple instructions. Following these step-by-step instructions will have them pressing pizzas faster, safer, more consistently and equal in quality to the best hand tossed crusts.

Getting Started

First make sure the press is placed in an area with sufficient room for cleaning and unobstructed operation. Start by plugging the press into a properly rated outlet depending on the electrical rating of the press selected - 240V. Start by setting the temperature as follows dependent on the desired product: Fresh dough pizza crusts: 150°F (65.5°C). Vary the temperature setting to suit the desired result.

ALLOW 15-20 MINUTES FOR WARM-UP.

Now let's start pressing pizza crusts.

First allow upper platen to reach set temperature. In most instances, 150°F (65.5°C) is ideal, but trial and error testing will determine the best temperature for your dough. For best results your dough should be proofed before pressing, but it will also press directly out of your refrigerator. **Flour is not required to press a crust and should not be dusted on any part of the machine.** Determining the proper amount of pressing time will vary depending on the diameter of your product. Start with 5 seconds and go up or down from there.



STEP 1 - After allowing upper and lower platen to reach desired temperature, set desired time cycle. Place your pre-portioned doughball on the etched mark on the lower platen (off center). Use an approved lubricant or food release agent such as olive oil or DOUGHPRO'S cookware food release spray. This will greatly improve the pressing operation. **Flour is NOT required to press crusts and should NEVER be used on any part of the machine.**



STEP 2 - With both hands pull down the handle into locking position. Wait until your desired set time has been reached and the counter beeps.



STEP 3 - With both hands, quickly lift the handle & remove your crust from either the left or right side. Place flattened crust on screen, disc or pan. Now you're ready for make-up and baking. **Keep in mind that the final crust shape and size are result of proper portioning, rounding and set time.**

Safety Summary



WARNING

In case of power cord damage, do not attempt to repair or replace the power cord. Contact the manufacturer or the local distributor.



WARNING

Avoid touching hot surfaces while operating the machine.



CAUTION

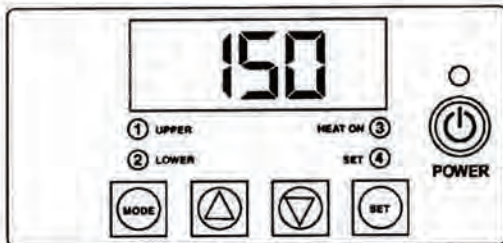
During normal operation, the base of the machine must be installed or placed above the wall socket.



CAUTION

When servicing or cleaning the machine, make sure that the power cord is removed from the wall socket.

Control Board Operations



Solid State Controller

This controller has three (3) control features:

1. Temperature – Temperature may be set from 100°-325°F (38°-163°C). The factory default setting is 150°F. If you would like to change this setting, simply

follow the *Controller Operation* directions.

2. Counter – Cycle counter counts the number of applications from 1 to 9999 (*see additional Notes – Counter*).
3. Timer – Timer may be set from 1 – 99 seconds. The factory default setting is 10 seconds. If you would like to change this setting, simply follow the *Controller Operation* directions.

Controller Operation

Temperature Control

1. Press the **MODE** button until temperature is displayed.
2. Push and hold **SET** button and simultaneously push **UP** (▲) or **DOWN** (▼) arrow buttons to the desired temperature setting.

Time Control

1. Press the **MODE** button until time is displayed.
2. Push and hold **SET** button and simultaneously push **UP** (▲) or **DOWN** (▼) arrow buttons to the desired timer setting.

ADDITIONAL NOTES:

Temperature

Note

Fahrenheit/Centigrade (Celsius) Conversion

*The temperature controller can be programmed to display either °F or °C. To change: Press the **MODE** button until the temperature is displayed, then push and hold the **SET** button for 10 seconds.*

Counter

The controller has a built in cycle counter.

- Press MODE button until the counter is displayed.
- Counter display range is 0000 to 9999.
- To reset the cycle counter, display the counter reading, then push and hold both UP () and DOWN () arrow buttons for 3 seconds until the counter resets to zero (**0000**) on the display.

General Specifications

1. **Press Instructions** - Easy to follow dough pressing instructions.
2. **Handle** - Used to clamp the upper platen closed.
3. **Lower Platen** - Place your pre-portioned dough here.
4. **Digital Display** - Controls the power, time and temperature.
5. **Upper Platen** - Heated platen. Helps dough flow easily.

Electrical: 240V/50/60 Hz/3000W/12.5 amps

Shipping Weight: 150lbs. (70kg)



PP2018 Recommended Seasoning/Cleaning Procedures

DO NOT use ice or cold water to cool unit down.

This causes the platens to warp.

Cleaning must be done daily.

TOOLS REQUIRED: 1. Food Release 2. Soapy water solution 3. Damp Washcloth 4. Paper towels



1. Season lower platen with approved food release. "Doughpro Spray"



2. Wipe oil across lower platen with paper towel



3. Wipe oil across upper platen.



4. Before cleaning make sure to turn unit off.



5. Use warm soapy water. "Use mild dish soap detergent."



6. Soak cloth and wring out.



7. Clean lower platen with damp cloth.

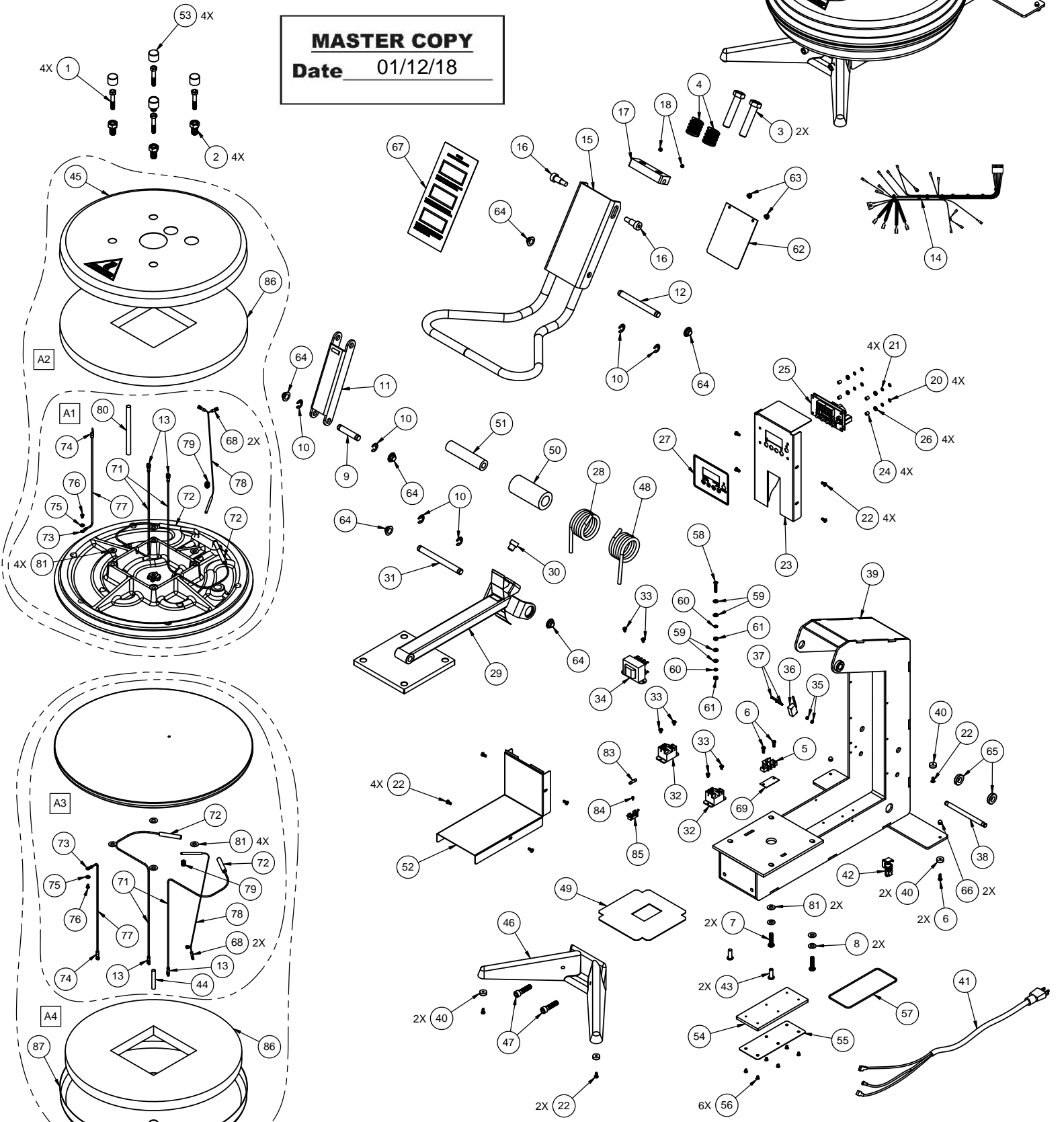
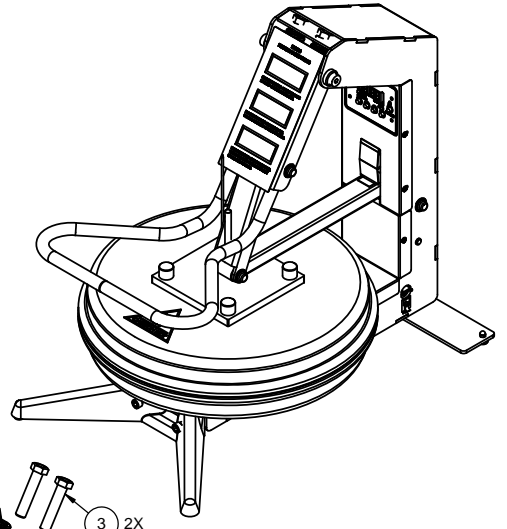


8. Clean upper platen with damp cloth.

PROLUXE

MODEL PP2018

MASTER COPY
Date 01/12/18



**PROLUXE PARTS LIST FOR MODEL
PP2018**

| ITEM NO. | DESCRIPTION | MODEL | MODEL | MODEL | MODEL | MODEL | MODEL | QTY. |
|----------|--|--------------|--------------|--------------|--------------|--------------|--------------|------|
| | | PP2018B | PP2018C | PP2018E | PP2018GC | PP2018TB | PP2018TE | |
| | | 240V AC | 220V AC | 208V AC | 220V AC | 240V AC | 208V AC | |
| 1 | BOLT, HEX 5/16-18 X 1 3/4 GR5 | BH51618134G5 | BH51618134G5 | BH51618134G5 | BH51618134G5 | BH51618134G5 | BH51618134G5 | 4 |
| 2 | BOLT, LEVEL ADJUSTMENT | 1109367 | 1109367 | 1109367 | 1109367 | 1109367 | 1109367 | 4 |
| 3 | BOLT, HEX 5/8-11 X 3 | BH58113 | BH58113 | BH58113 | BH58113 | BH58113 | BH58113 | 2 |
| 4 | SPRING, DIE OIL TEMP, 1-1/4 X 5/8 | 110969093 | 110969093 | 110969093 | 110969093 | 110969093 | 110969093 | 2 |
| 5 | TERMINAL BLOCK | 11098414 | 11098414 | 11098414 | 11098414 | 11098414 | 11098414 | 1 |
| 6 | SCREW, PAN HD 8-32 X 1/2" PHILLIPS | SP83212 | SP83212 | SP83212 | SP83212 | SP83212 | SP83212 | 4 |
| 7 | SCREW, BUTTON HD.5/16-18 X 1-1/4" | SB51618114 | SB51618114 | SB51618114 | SB51618114 | SB51618114 | SB51618114 | 2 |
| 8 | WASHER, BELLVILLE, 5/16" | WB516 | WB516 | WB516 | WB516 | WB516 | WB516 | 2 |
| 9 | BOTTOM PRESSURE PIN | 11094961 | 11094961 | 11094961 | 11094961 | 11094961 | 11094961 | 1 |
| 10 | CLIP "E" RETAINING 1/2 | MPSC240 | MPSC240 | MPSC240 | MPSC240 | MPSC240 | MPSC240 | 6 |
| 11 | LINK, LOWER | 110949530 | 110949530 | 110949530 | 110949530 | 110949530 | 110949530 | 1 |
| 12 | PIN, PRESSURE HANDLE | 11094962 | 11094962 | 11094962 | 11094962 | 11094962 | 11094962 | 1 |
| 13 | TERM. 1/4 x .032 x 14-16, INSUL,Q.D FEMALE MOLEX | MPSQ100 | MPSQ100 | MPSQ100 | MPSQ100 | MPSQ100 | MPSQ100 | 4 |
| 14 | WIRE HARNESS | PP11050 | PP11050 | PP11050 | PP11050 | PP11050 | PP11050 | 1 |
| 15 | HANDLE CHANNEL ASSEMBLY | PP17002 | PP17002 | PP17002 | PP17002 | PP17002 | PP17002 | 1 |
| 16 | BOLT, STRIPPER 1/2 X 3/4 PLATED | BS1234P | BS1234P | BS1234P | BS1234P | BS1234P | BS1234P | 2 |
| 17 | PRESSURE PIVOT BLOCK | 1101098174 | 1101098174 | 1101098174 | 1101098174 | 1101098174 | 1101098174 | 1 |
| 18 | SCREW, SET 1/4-20 X 1/4 | SST142014 | SST142014 | SST142014 | SST142014 | SST142014 | SST142014 | 2 |
| 19 | SERIAL PROPROCESS TAG | SERIALTAG | SERIALTAG | SERIALTAG | SERIALTAG | SERIALTAG | SERIALTAG | 1 |
| 20 | WASHER, .311 OD x .150 ID x .20 THK | 311150019 | 311150019 | 311150019 | 311150019 | 311150019 | 311150019 | 4 |
| 21 | WASHER, LOCK #6 | WLIT6 | WLIT6 | WLIT6 | WLIT6 | WLIT6 | WLIT6 | 4 |
| 22 | SCREW PAN HD PHILLIPS 8-32 X 3/8 | SP83238 | SP83238 | SP83238 | SP83238 | SP83238 | SP83238 | 11 |
| 23 | CONTROLLER PANEL | 110109822 | 110109822 | 110109822 | 110109822 | 110109822 | 110109822 | 1 |
| 24 | SPACER, NYLON | 110969111 | 110969111 | 110969111 | 110969111 | 110969111 | 110969111 | 4 |
| 25 | DIGITAL CONTROL | 11096905218 | 11096905218 | 11096905218 | 11096905218 | 11096905218 | 110969052 | 1 |
| 26 | NUT, HEX 6-32 | NH632 | NH632 | NH632 | NH632 | NH632 | NH632 | 4 |
| 27 | CONTROL PANEL OVERLAY | ODP1300 | ODP1300 | ODP1300 | ODP1300 | ODP1300 | ODP1300 | 1 |
| 28 | COUNTERBALANCE SPRING, LEFT | 110949154L | 110949154L | 110949154L | 110949154L | 110949154L | 110949154L | 1 |
| 29 | ARM ASSEMBLY | 110109821 | 110109821 | 110109821 | 110109821 | 110109821 | 110109821 | 1 |
| 30 | BUMPER, POLY | 110969455 | 110969455 | 110969455 | 110969455 | 110969455 | 110969455 | 1 |
| 31 | ARM PIVOT PIN | 11094963 | 11094963 | 11094963 | 11094963 | 11094963 | 11094963 | 1 |
| 32 | RELAY | 110942520 | 110942520 | 110942520 | 110942520 | 110942520 | 110942520 | 2 |
| 33 | SCREW, PHIL.PN.HD. 8-32 X 1/4" | SP83214 | SP83214 | SP83214 | SP83214 | SP83214 | SP83214 | 6 |
| 34 | TRANSFORMER | 11096975 | 11096975 | 11096975 | MPPT700R | 11096975 | 11096975 | 1 |
| 35 | NUT, MICROSWITCH | NH440 | NH440 | NH440 | NH440 | NH440 | NH440 | 2 |

**PROLUXE PARTS LIST FOR MODEL
PP2018**

| ITEM NO. | DESCRIPTION | MODEL | MODEL | MODEL | MODEL | MODEL | MODEL | QTY. |
|----------|--|--------------|--------------|--------------|--------------|--------------|--------------|----------|
| | | PP2018B | PP2018C | PP2018E | PP2018GC | PP2018TB | PP2018TE | |
| | | 240V AC | 220V AC | 208V AC | 220V AC | 240V AC | 208V AC | |
| 36 | MICRO SWITCH | 110969044 | 110969044 | 110969044 | 110969044 | 110969044 | 110969044 | 1 |
| 37 | SCREW, ROUND HEAD 4-40 X 3/4 | SR44034 | SR44034 | SR44034 | SR44034 | SR44034 | SR44034 | 2 |
| 38 | SPRING RETAINER BAR | 11094926 | 11094926 | 11094926 | 11094926 | 11094926 | 11094926 | 1 |
| 39 | BASE FRAME ASSEMBLY | PP11002 | PP11002 | PP11002 | PP11002 | PP11002 | PP11002 | 1 |
| 40 | BUMPER, RUBBER W/ #8 INSERTED, WASHER | 2093W | 2093W | 2093W | 2093W | 2093W | 2093W | 5 |
| 41 | POWER CORD | 110969175 | 110969175 | 110573175 | DP149203 | 110969175 | 110573175 | 1 |
| 42 | STRAIN, RELIEF HEYCO | MPS90014 | MPS90014 | MPS90014 | MPS90014 | MPS90014 | MPS90014 | 1 |
| 43 | SCREW, BUTTON HD 5/16-18 X 1" | SB516181 | SB516181 | SB516181 | SB516181 | SB516181 | SB516181 | 2 |
| 44 | TUBING, NON SHRINK TFE #0 | 110133 | 110133 | 110133 | 110133 | 110133 | 110133 | 0.66 FT |
| 45 | SHROUD, UPPER PLATEN | 1109336 | 1109336 | 1109336 | 1109336 | 1109336 | 1109336 | 1 |
| 46 | FRONT LEG | 11094902 | 11094902 | 11094902 | 11094902 | 11094902 | 11094902 | 1 |
| 47 | SCREW, SOCKET HEAD 3/8-16 X 1 1/2 | SSH3816112 | SSH3816112 | SSH3816112 | SSH3816112 | SSH3816112 | SSH3816112 | 2 |
| 48 | COUNTERBALANCE SPRING, RIGHT | 110949154R | 110949154R | 110949154R | 110949154R | 110949154R | 110949154R | 1 |
| 49 | PLATE GASKET | 110969140 | 110969140 | 110969140 | 110969140 | 110969140 | 110969140 | 1 |
| 50 | TUBE FOR SPRING | 11094930 | 11094930 | 11094930 | 11094930 | 11094930 | 11094930 | 1 |
| 51 | PIVOT TUBE | 11094923 | 11094923 | 11094923 | 11094923 | 11094923 | 11094923 | 1 |
| 52 | LOWER COVER | PP11003 | PP11003 | PP11003 | PP11003 | PP11003 | PP11003 | 1 |
| 53 | CAP, VINYL | SC0687 | SC0687 | SC0687 | SC0687 | SC0687 | SC0687 | 4 |
| 54 | SUCTION PAD | 11096942 | 11096942 | 11096942 | 11096942 | 11096942 | 11096942 | 1 |
| 55 | SUCTION RETAINING PLATE | 11094940 | 11094940 | 11094940 | 11094940 | 11094940 | 11094940 | 1 |
| 56 | SCREW, FLAT HD PHIL 8-32 X 1/4 STAINLESS STEEL | SF83214S | SF83214S | SF83214S | SF83214S | SF83214S | SF83214S | 6 |
| 57 | O-RING | 110969113 | 110969113 | 110969113 | 110969113 | 110969113 | 110969113 | 1 |
| 58 | SCREW, PAN HEAD PHILLIPS 8-32 X 1 | SP8321 | SP8321 | SP8321 | SP8321 | SP8321 | SP8321 | 1 |
| 59 | WASHER, SAE #8 | WSAE8 | WSAE8 | WSAE8 | WSAE8 | WSAE8 | WSAE8 | 4 |
| 60 | WASHER, INTERNAL TOOTH LOCK #8 | WLIT8 | WLIT8 | WLIT8 | WLIT8 | WLIT8 | WLIT8 | 2 |
| 61 | NUT, HEX 8-32 | NH832 | NH832 | NH832 | NH832 | NH832 | NH832 | 2 |
| 62 | CHANNEL COVER | 110109888 | 110109888 | 110109888 | 110109888 | 110109888 | 110109888 | 1 |
| 63 | SCREW, BUTTON HEAD 1/4-20 X 1/4 | SB142014 | SB142014 | SB142014 | SB142014 | SB142014 | SB142014 | 2 |
| 64 | NUT, CAP DEEP DRAWN 1/2 STUD | AW500T1427 | AW500T1427 | AW500T1427 | AW500T1427 | AW500T1427 | AW500T1427 | 6 |
| 65 | SPACER WASHER | 1101098111 | 1101098111 | 1101098111 | 1101098111 | 1101098111 | 1101098111 | 2 |
| 66 | NUT, ACORN | NA832 | NA832 | NA832 | NA832 | NA832 | NA832 | 2 |
| 67 | OVERLAY, PRESSING INSTRUCTION | OPROPP181810 | OPROPP181810 | OPROPP181810 | OPROPP181810 | OPROPP181810 | OPROPP181810 | 1 |
| 68 | TERM. QD 3/16 X 18/22GA INS., ETC MOLEX AA2137 | 2280 | 2280 | 2280 | 2280 | 2280 | 2280 | 4 |
| 69 | MARKING STRIP #2 | MS6992 | MS6992 | MS6992 | MS6992 | MS6992 | MS6992 | 1 |
| 71 | WIRE, TGGT, 14 GA. (HEATER) | 110069 | 110069 | 110069 | 110069 | 110069 | 110069 | 10.16 FT |

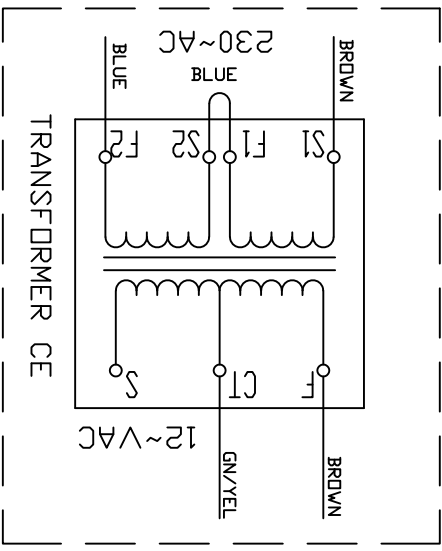
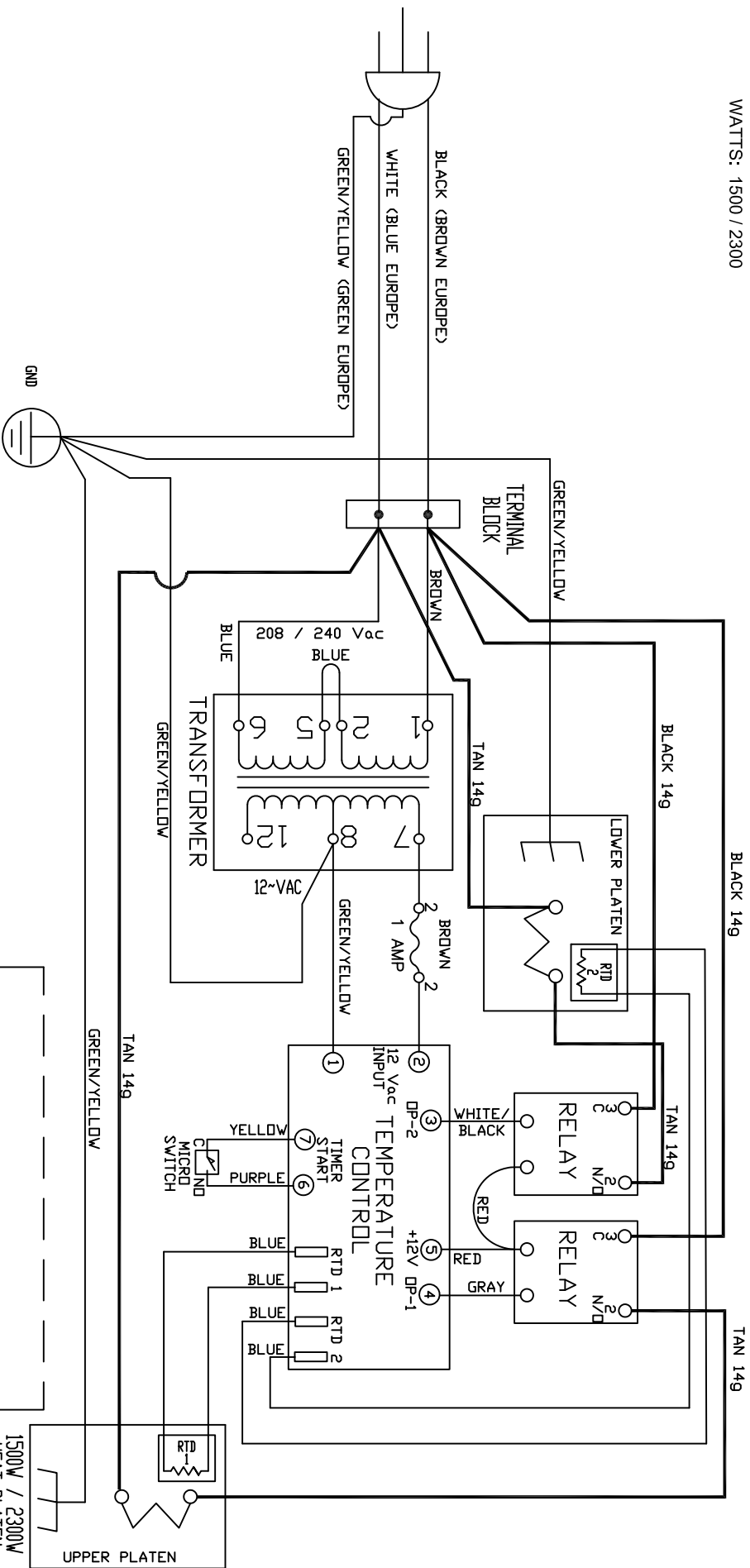
**PROLUXE PARTS LIST FOR MODEL
PP2018**

| ITEM NO. | DESCRIPTION | MODEL | MODEL | MODEL | MODEL | MODEL | MODEL | QTY. |
|----------|--------------------------------------|---------------|---------------|---------------|---------------|--------------|--------------|---------|
| | | PP2018B | PP2018C | PP2018E | PP2018GC | PP2018TB | PP2018TE | |
| | | 240V AC | 220V AC | 208V AC | 220V AC | 240V AC | 208V AC | |
| 72 | TFE, SHRINK TUBING 7AWG | 110131 | 110131 | 110131 | 110131 | 110131 | 110131 | 0.66 FT |
| 73 | TERMINAL, RING #6 14-16 GA HIGH TEMP | 1601HT | 1601HT | 1601HT | 1601HT | 1601HT | 1601HT | 2 |
| 74 | TERMINAL, RING #8 14-16 GA | 1604 | 1604 | 1604 | 1604 | 1604 | 1604 | 2 |
| 75 | WASHER, SAE #6 | WSAE6 | WSAE6 | WSAE6 | WSAE6 | WSAE6 | WSAE6 | 2 |
| 76 | SCREW, PAN HEAD PHILLIPS 6-32 X 1/4 | SP63214 | SP63214 | SP63214 | SP63214 | SP63214 | SP63214 | 2 |
| 77 | WIRE, TFE 14GA. GREEN | WTFE14G | WTFE14G | WTFE14G | WTFE14G | WTFE14G | WTFE14G | 4 FT |
| 78 | RTD, SENSOR ASSEMBLY | 110949110 | 110949110 | 110949110 | 110949110 | 110949110 | 110949110 | 2 |
| 79 | SCREW, SET 3/8-16 X 1/2" | SST381612 | SST381612 | SST381612 | SST381612 | SST381612 | SST381612 | 2 |
| 80 | SLEEVING, SILICONE #1 GA, BLACK | T117EA1BK | T117EA1BK | T117EA1BK | T117EA1BK | T117EA1BK | T117EA1BK | 1.67 FT |
| 81 | WASHER, SAE 5/16 | WSAE516 | WSAE516 | WSAE516 | WSAE516 | WSAE516 | WSAE516 | 10 |
| 82 | MANUAL, PP2018 | MPP2018 | MPP2018 | MPP2018 | MPP2018 | MPP2018 | MPP2018 | 1 |
| 83 | FUSE, 1 AMP, 250V, 250W, LOW BLOW | MPPF701R | MPPF701R | MPPF701R | MPPF701R | MPPF701R | MPPF701R | 1 |
| 84 | SCREW PHILLIPS PAN 2-56 x 1/4" | SP25614 | SP25614 | SP25614 | SP25614 | SP25614 | SP25614 | 1 |
| 85 | FUSE HOLDER 1 AMP | MPPF708 | MPPF708 | MPPF708 | MPPF708 | MPPF708 | MPPF708 | 1 |
| 86 | DP INSULATION | 1101171251 | 1101171251 | 1101171251 | 1101171251 | 1101171251 | 1101171251 | 2 |
| 87 | HEAT SHROUD | 1109336 | 1109336 | 1109336 | 1109336 | 1109336 | 1109336 | 1 |
| | | | | | | | | |
| A1 | UPPER PLATEN WIRE ONLY | 110078240PK | 110078220PK | 110078208PK | 110078220PK | 110078240K | 110078208K | 1 |
| A2 | UPPER PLATEN COMPLETE ASSEMBLY | 110078240PAK | 110078220PAK | 110078208PAK | 110078220PAK | 110078240AK | 110078208AK | 1 |
| A3 | LOWER PLATEN WIRE ONLY | PP11032240PK | PP11032220PK | PP11032208PK | PP11032220PK | PP11032240K | PP11032208K | 1 |
| A4 | LOWER PLATEN COMPLETE ASSEMBLY | PP11032240PAK | PP11032220PAK | PP11032208PAK | PP11032220PAK | PP11032240AK | PP11032208AK | 1 |

VAC: 208 / 240
 AMPS: 15.0 / 25.0
 WATTS: 1500 / 2300



PP2018 WIRE DIAGRAM



MASTER COPY
 Date 11/09/17

WDPP2018 RB 110917

Care and Cleaning

Before cleaning turn machine off and allow to cool down.

Cleaning should be performed whenever required, but at least once a day. **NEVER SUBMERGE MACHINE OR ANY PART THEREOF IN WATER OR OTHER LIQUIDS.** With some simple care and reasonable maintenance your Model PP2018 pizza press will give you many years of dependable service.

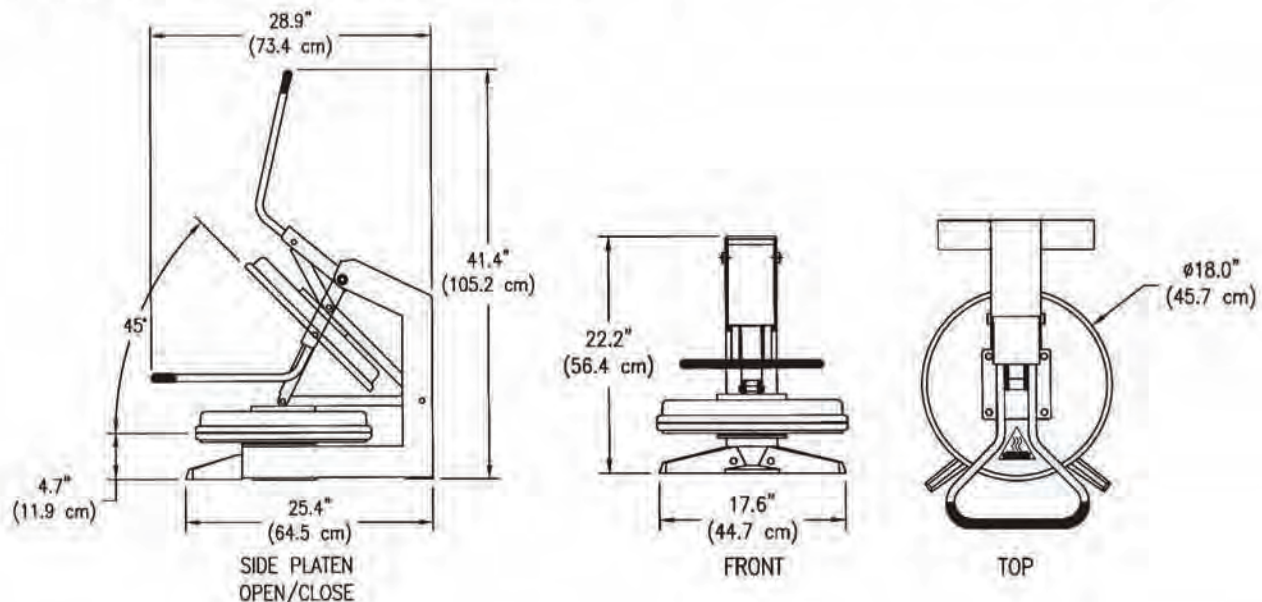
Daily Care

1. Teflon® coated platens. This platen should only be cleaned with mild soap and warm water then wiped off with a clean, soft cloth or soft sponge. **Never use steel wool or harsh abrasives or you will cause costly damage.**

2. All other exterior surfaces. Here again a daily wipe down with mild soap and warm water on a damp rag, will do the job quite nicely. **Never use steel wool or harsh abrasives or you will cause costly damage.**

Service Problems

Contact our factory or approved service agency (U.S. only). *Note: When contacting factory for information, parts or service instructions, it is of the utmost importance that the serial number of the machine be provided. This number can be found on the serial plate located on the rear of the machine.*



PROLUXE

Warranty & Return Policy

Proluxe warrants all products manufactured by it against defects in workmanship or materials from the date of purchase for a period of (1) year on parts and labor. **This warranty applies to only equipment purchased and used in the United States.** Warranty period shall begin when equipment ships. Warranty travel shall only be covered for 60 miles. Limited lifetime warranty on heating elements.

ALL WARRANTY SERVICE CALLS MUST BE APPROVED BY PROLUXE. IF THIS PROCEDURE IS NOT FOLLOWED, WARRANTY SERVICE WILL NOT BE COVERED. WARRANTY SERVICE WILL BE PAID ON STRAIGHT TIME, OVERTIME WILL NOT BE COVERED.

Exclusions:

- 1. WOOD / GAS FIRED OVENS:** PROLUXE warranty applies to the main body of the oven being steel / refractory and insulation shall be free from defects in materials and workmanship for a period of four years from the date of purchase. The gas equipment shall be free from defects in materials and workmanship for a period of one (1) year from the date of purchase. Lifetime warranty against cracks on oven floor.
- 2. Air compressors are excluded from this warranty,** but PROLUXE may act as a warranty expeditor in certain instances regarding these compressors. The air compressor manufacturer provides a limited warranty and a copy of this warranty is furnished with all compressors sold by PROLUXE. For prompt handling of compressor warranty claims the instructions of the compressor manufacturer must be adhered to.
- 3. Equipment built to special order as well as accessories** cannot be canceled and are not returnable unless defective within the terms of this warranty.
- 4. In no event shall PROLUXE be liable for consequential damages arising out of the failure of any of its products if operated improperly, altered or caused by normal wear or damage by operator abuse.**
- 5. BC2325 pedestal warranty disclaimer:** Pedestals shall only be covered under warranty if they have been cleaned using the factory approved cleaning method. Cracked or damaged pedestals must be inspected by the factory before warranty is authorized.
- 6. Limited lifetime warranty on heating elements:** If replacement is needed, Proluxe will send the new part at no charge but labor will not be covered unless the unit is still under the 1 year manufacture warranty.

Returned Merchandise Policy:

Should it become necessary to return any of the company's products, the following instructions must be adhered to: First, contact our customer service department for approval and a return authorization number. *Please have the serial number of your item available at that time.* All merchandise must be shipped *freight prepaid* by customer or service agency. Subject to the inspection of the product by the company, a restocking charge of 20% of the Net purchased price paid to PROLUXE will be assessed. Merchandise may not be returned for credit without *prior written approval* of PROLUXE. Collect shipments *will not* be accepted. No returns after 60 days of original shipment date on machines. Purchased parts may not be returned after 30 days.

If upon inspection by PROLUXE or its authorized agent it is determined the equipment has not been used in an appropriate manner, has been modified, or has not been properly maintained, or has been subject to misuse, misapplication, neglect, abuse, accident, unauthorized modification, damage during transit, delivery, fire, flood, act or war, riot or act of God, then this warranty shall be deemed null and void.

Terms & Conditions:

- Prices indicated in the PRICE LIST are suggested retail prices and are shown in U.S. DOLLARS.
- Terms of Payment: NET 30 days.
- NEW ACCOUNTS:** Satisfactory credit information must be provided before open account status can be extended. Unless agreed otherwise, all shipments will be made C.O.D., CASH IN ADVANCE.
- PRICING:** Prices, specifications, model numbers, capacities and accessories are subject to change without notice.
- FREIGHT / ROUTING:** Method of shipment will be determined by PROLUXE unless otherwise advised by PURCHASER.
- DAMAGED CLAIMS:** All merchandise shipped at purchaser's risk. Inspection must be made by purchaser at time goods are received. If goods are damaged, the PURCHASER shall request that the agent of the transportation company make a written notation on the proper shipping documents immediately and then file a claim for damage. **GOODS DAMAGED IN SHIPMENT ARE NOT RETURNABLE.**
- RETURNS:** Machines may not be returned after 60 days. Purchased parts may not be returned after 30 days. A restocking fee of 20% will be assessed on non-warranty returns.
- TAXES:** Prices indicated herein DO NOT include State, Federal, Local or foreign taxes or duties, nor do they include fees, permits, insurance or other levies, all of which are the responsibility of the purchaser.
- All orders are subject to acceptance by PROLUXE.
- Possession of this price list shall not be considered an offer to sell.