

Operations Manual

DPR2000 - Single Pass Dough Sheeter

Model #: DPR2000



PROLUXE
WWW.PROLUXE.COM

Version: 51719

WARNINGS FOR OPERATOR



CAUTION
DO NOT OPERATE DOUGH ROLLER
WITHOUT THE GUARDS IN PLACE



CAUTION
DO NOT CLEAN THIS DOUGH ROLLER
WHILE IT IS PLUGGED IN



CAUTION
DO NOT USE SHARP OBJECTS
TO CLEAN ANY PART OF THE MACHINE



CAUTION
KEEP HANDS AND FINGERS
CLEAR OF MOVING PARTS



CAUTION
DO NOT PLACE ITEMS
OTHER THAN DOUGH INTO THE CHUTE



CAUTION
IN CASE OF POWER CORD DAMAGE,
DO NOT ATTEMPT TO REPAIR
OR REPLACE THE POWER CORD.
CONTACT THE MANUFACTURER
OR THE LOCAL DISTRIBUTOR



CAUTION
DO NOT USE OIL OR GREASE
ON MACHINE PARTS
AS THEY DO NOT
REQUIRE RE-LUBRICATION

DOUGHPRO™



Take Your Dough Production To The Next Level

DPR2000 Single Pass Dough Sheeter



Every professional pizza kitchen must have the ProLuxe DPR2000 Single Pass Dough Sheeter. This fully-mechanical, high-production piece flattens product in only one pass. The heavy duty stainless steel construction gives you confidence that your product will be perfect every time, and the maintenance free drive system improves your operation efficiency. The compact size fits just about anywhere. Great for operators who prefer sheeting dough versus pressing, the DPR2000 rolls all size dough up to and including 18" diameter.

Features

- High production.
- 1-pass operation.
- Thickness control.
- Easy to clean

In addition to the quality execution and unique customization capabilities, our expert technical support team supports the ProLuxe DPR2000. We are available 24 hours a day/7 days a week to answer any questions and provide you with great, no-debate service support.

PROLUXE ™

formerly DoughPro. New Name. Same Quality. Superior Service.

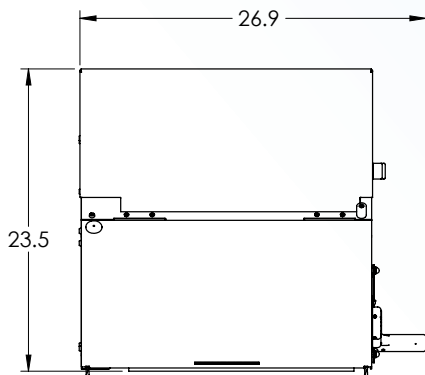
proluxe.com

DOUGHPRO™

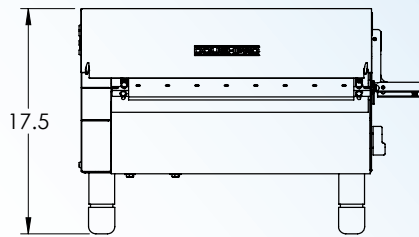


Take Your Dough Production To The Next Level

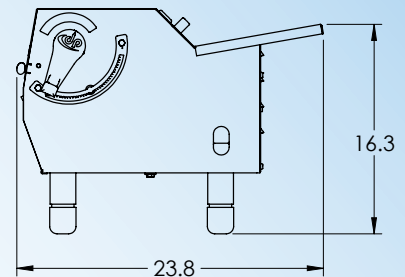
DPR2000 Single Pass Dough Sheeter



TOP VIEW



FRONT VIEW



RIGHT SIDE VIEW

ON/OFF Switch	Yes	Electrical Data DPR2000A - 115v/60hz 8.80 amps - NEMA 5-15P DPR2000B - 208v - 230v/60hz 4.40 amps - NEMA 6-15P DPR2000CEB - (Europe) 230v/50hz 4.40 amps - CEE 7/7 plug
Rollers	Synthetic or Stainless Steel	
Bearings	Sealed	
Thickness Adjustment	Yes	Shipping Weight 176lbs/79kg Machine Weight 142lbs/64kg
Finish	Stainless	
Motor	3/4 Hp	

Power cord length 72"

Listed:



PROLUXE™

20281 Harvill Ave | Perris, CA 92570
 t: (951) 657-0379 | t: (800) 624-6717 | f: (951) 657-4594
 w: www.proluxe.com | e: info@prolux.com

DPR2000 Operations Instructions

Step 1.

Turn the unit on by pressing the green power button.



Step 2.

Adjust the thickness of the rollers by rotating the easy adjust arm on the right side of the unit.



Step 3.

Pre flour the hopper to make sure the rollers have been coated. Apply a liberal amount of flour to your pre-portioned dough ball.



Step 4.

Slide your dough ball through the hopper, and catch on other end. You may have to run your dough ball through multiple times to achieve your desired thickness.



DPR2000 Cleaning Instructions

Important: Please make sure the DPR2000 is off and unplugged before cleaning.

Step 1.

Loosen the 2 housing screws on the front panel of the machine. Then lift up the front panel.

Step 2.

It is **important** that you remember how the two scrapers that are going to be removed are positioned inside the unit. Start by removing the two springs off of the lower scraper. The scrapers are now free and can be removed.

Step 3.

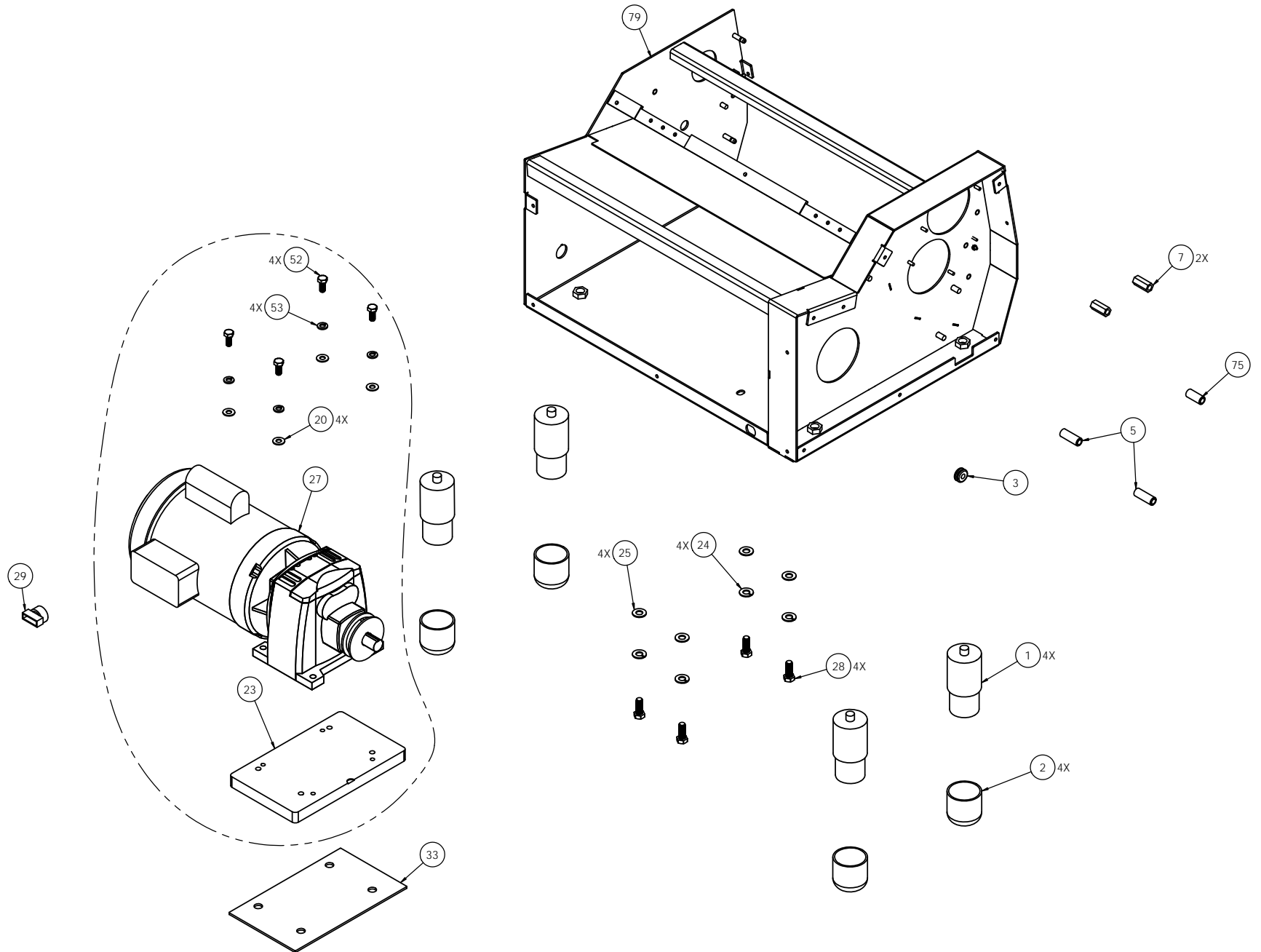
Clean the rollers, scrapers and housing with a damp cloth then dry with cloth.

Step 4.

Re-attach the scrapers and springs.

Step 5.

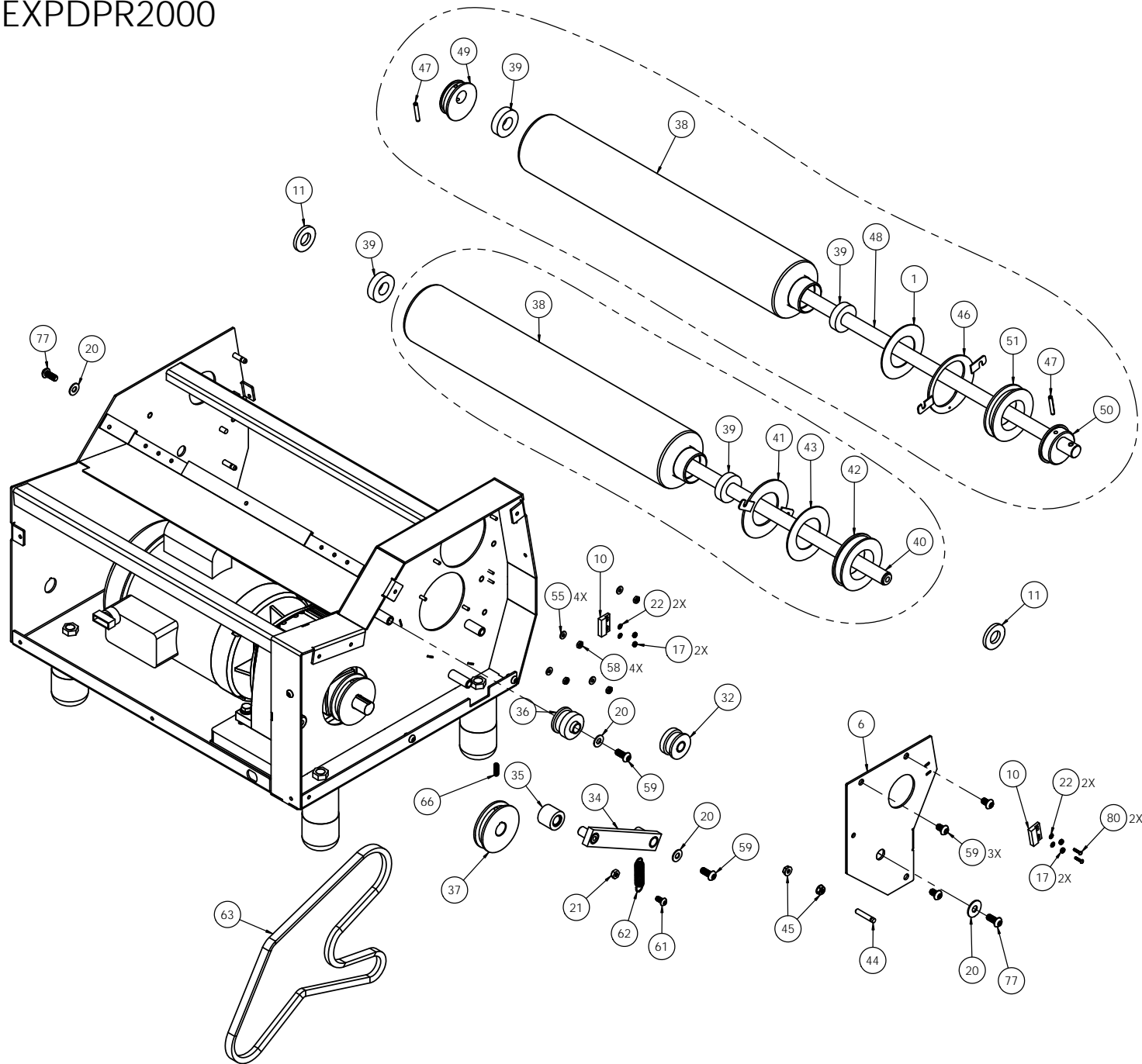
Lower the front panel and tighten the two housing screws.



PROLUXE



EXPDPR2000



PARTS LIST FOR MODEL DPR2000

ITEM NO.	DESCRIPTION	DPR2000A	DPR2000B	QTY.
1	APPLIANCE LEGS 4" STAINLESS STEEL	1101097091	1101097091	4
2	RUBBER FOOT	1101097096	1101097096	4
3	GROMMET, RUBBER 3/8 ID, 7/8" OD, 3/16 THIK	110969116	110969116	1
4	BRACKET, RELAY	1101097080	1101097080	1
5	THREADED SPACER	1101097074	1101097074	2
6	BELT GUARD	11059052	11059052	1
7	NUT COUPLING 5/16-18 X 1-1/8	1101097094	1101097094	2
8	ADJUSMENT PLATE	1101097119	1101097119	1
9	HANDLE ADJUSMENT ASSEMBLY	1101097118	1101097118	1
10	PROXIMITY SWITCH SENSOR	1101097082	1101097082	2
11	MIDDLE ROLLER SPACER	1101097105	1101097105	2
12	THUMB SCREW WITH SHOULDER	1101097086	1101097086	2
13	RELAY, TERMS 30A 250V	1101097081	1101097081	1
14	STRAIN RELIEF	MPS90014	MPS90014	1
15	TERMINAL BLOCK #1 SINGLE	6991	6991	1
16	SCREW, PAN HEAD PHILLIPS 8-32 X 5/8	SP83258	SP83258	2
17	NUT, HEX 4-40	NH440	NH440	4
18	POWER CORD	110969174	110969175	1
19	NUT, HEX 10-32	NH1032	NH1032	1
20	WASHER, SAE 5/16	WSAE516	WSAE516	8
21	NUT, HEX 1/4-20	NH1420	NH1420	5
22	WASHER, INTERNAL TOOTH LOCK #6	WLIT6	WLIT6	4
23	MOTOR BASE	110623006	110623006	1
24	WASHER 3/8 SPLIT LOCK	WL38	WL38	4
25	WASHER, SAE 3/8	WSAE38	WSAE38	4
26	START-STOP COMBINATION BUTTON, W/EXTENDED STOP	1101097083	1101097083	1
27	GEAR MOTOR ASSEMBLY 120 VOLT US MOTOR	1101097134	1101097134	1
28	BOLT, HEX 3/8-16 X 1 STAINLESS STEEL	BH38161S	BH38161S	4
29	CONNECTOR, 1/2" MALE X 3/8" CLAMP	100455167	100455167	1
30	SCREW, PAN HEAD PHILLIPS 8-32 X 5/8	SP83258	SP83258	2
31	SCREW, PAN HEAD PHILLIPS 10-32 X 3/8	SP103238	SP103238	1
32	PULLEY, GUIDING IDLER ASSEMBLY	11059504	11059504	1
33	PAD, VIBRATION DAMPENING	1101745768001	1101745768001	1
34	TENSIONER BAR ASSEMBLY	1101097009	1101097009	1
35	PULLEY, IDLER TENSIONER ASSEMBLY	1101097123	1101097123	1
36	PULLER, IDLER ASSEMBLY	1101097124	1101097124	1
37	PULLEY, MOTOR	1101097125	1101097125	1
38	TOP ROLLER ASSEMBLY	1101097021	1101097021	2
39	DOUBLE SEALED BEARING	1101097026	1101097026	4
40	MIDDLE ROLLER SHAFT	1101097033	1101097033	1
41	MIDDLER ROLLER BRACKET ASSEMBLY	1101097034	1101097034	1
42	PULLEY, MIDDLER ROLLER	1101097126	1101097126	1
43	PLASTIC GUARD	1101097103	1101097103	2
44	MIDDLE FRONT SCRAPER #3 SPRING PIN	1101097064	1101097064	1
45	1/4-20 SERRATED HEX NUT	NHSF1420	NHSF1420	18
46	TOP CONCENTRIC BRACKET ASSY DPR2000	110100110	110100110	1
47	PIN, ROLL 3/16 X 1 1/4	PR316114	PR316114	2
48	UPPER ROLLER SHAFT	1101097027	1101097027	1
49	RIGHT SIDE CAM	1101097029	1101097029	1
50	LEFT SIDE CAM	1101097030	1101097030	1
51	PULLEY, ROLLER UPPER	1101097127	1101097127	1
52	BOLT, HEX 5/16 X 1-1/4 STAINLESS STEEL	BH51618114S	BH51618114S	4
53	WASHER, 5/16" SPLIT LOCK	WL516	WL516	4
54	SCREW, BUTTON HEAD 1/4-20 X 1/2 STAINLESS STEEL	SB142012S	SB142012S	17
55	WASHER, SAE #8	WSAE8	WSAE8	8
56	WASHER, INTERNAL TOOTH LOCK #8	WLIT8	WLIT8	7
57	SCREW, PAN HEAD PHILLIPS 8-32 X 3/4 STAINLESS STEEL	SP83234S	SP83234S	1
58	NUT, HEX 8-32	NH832	NH832	10
59	SCREW, BUTTON HEAD 5/16-18 X 1/2	SB5161812	SB5161812	3
60	TOP ROLLER GAUGE DECAL	DP110109720T	DP110109720T	1
61	SIDE COVER	11059508	11059508	1
62	SPRING, EXTENSION 12" O.D. X 3.0" LONG X 1/16" THK	SE123116	SE123116	1
63	BELT, V TYPE 1/2" WIDE X 5/16" THICK X 43" LONG	BV1251643	BV1251643	1
64	SLIDING PLATE	11059509	11059509	1
65	SAFETY COVER ASSEMBLY	11059506	11059506	1
66	SCREW, SET 1/4-20 X 3/4"	SST142034	SST142034	1

PARTS LIST FOR MODEL DPR2000

67	NUT, ACCORN 1/4-20 NICKLE PLATE	NA1420	NA1420	2
68	LOWER FRONT SCRAPER #3 SUB ASSEMBLY	11017770517	11017770517	1
69	MIDDLE FRONT SCRAPER #3 BAR	1101097063	1101097063	1
70	ANGULAR WELD STUD FOR SCRAPER #2	1101097101	1101097101	2
71	SCRAPER, TENSION SPRING	1101097052	1101097052	4
72	TOP FRONT SCRAPER #2 SUB ASSEMBLY	11017770513	11017770513	1
73	TOP FRONT SCRAPER #2 BAR	1101097057	1101097057	1
74	WASHER, INTERNAL TOOTH LOCK #10	WLIT10	WLIT10	1
75	THREADED SPACER, DPR2000	11059503	11059503	1
76	SCREW, SET 1/4-20 X 1/2	SST142012	SST142012	1
77	SCREW, BUTTON HEAD 5/16-18 X 3/4	SB5161834	SB5161834	4
78	SCREW, SET 1/4-20 X 3/8	SST142038	SST142038	2
79	FRAME WELDING ASSEMBLY DPR2000	11059501	11059501	1
80	SCREW, ROUND HEAD 4-40 X 1/2"	SR44012	SR44012	2
81	COVER, BACK	11059507	11059507	1
A1	GEAR MOTOR KIT ASSEMBLY	1105797120	1105797120	1
A2	TOP ROLLER ASSEMBLY	11059505	11059505	1
A3	MIDDLE ROLLER ASSEMBLY	1101097130	1101097130	1
A4	MIDDLE FRONT SCRAPER #3 ASSEMBLY	11017770516	11017770516	1
A5	TOP FRONT SCRAPER #2 ASSEMBLY	11017770512	11017770512	1

PROLUXE

Warranty & Return Policy

Proluxe warrants all products manufactured by it against defects in workmanship or materials from the date of purchase for a period of (1) year on parts and labor. **This warranty applies to only equipment purchased and used in the United States.** Warranty period shall begin when equipment ships. Warranty travel shall only be covered for 60 miles. Limited lifetime warranty on heating elements.

ALL WARRANTY SERVICE CALLS MUST BE APPROVED BY PROLUXE. IF THIS PROCEDURE IS NOT FOLLOWED, WARRANTY SERVICE WILL NOT BE COVERED. WARRANTY SERVICE WILL BE PAID ON STRAIGHT TIME, OVERTIME WILL NOT BE COVERED.

Exclusions:

1. **WOOD / GAS FIRED OVENS:** PROLUXE warranty applies to the main body of the oven being steel / refractory and insulation shall be free from defects in materials and workmanship for a period of four years from the date of purchase. The gas equipment shall be free from defects in materials and workmanship for a period of one (1) year from the date of purchase. Lifetime warranty against cracks on oven floor.
2. **Air compressors are excluded from this warranty,** but PROLUXE may act as a warranty expeditor in certain instances regarding these compressors. The air compressor manufacturer provides a limited warranty and a copy of this warranty is furnished with all compressors sold by PROLUXE. For prompt handling of compressor warranty claims the instructions of the compressor manufacturer must be adhered to.
3. **Equipment built to special order as well as accessories** cannot be canceled and are not returnable unless defective within the terms of this warranty.
4. **In no event shall PROLUXE be liable for consequential damages arising out of the failure of any of its products if operated improperly, altered or caused by normal wear or damage by operator abuse.**
5. **BC2325 pedestal warranty disclaimer:** Pedestals shall only be covered under warranty if they have been cleaned using the factory approved cleaning method. Cracked or damaged pedestals must be inspected by the factory before warranty is authorized.
6. **Limited lifetime warranty on heating elements:** If replacement is needed, Proluxe will send the new part at no charge but labor will not be covered unless the unit is still under the 1 year manufacture warranty.

Returned Merchandise Policy:

Should it become necessary to return any of the company's products, the following instructions must be adhered to: First, contact our customer service department for approval and a return authorization number. *Please have the serial number of your item available at that time.* All merchandise must be shipped *freight prepaid* by customer or service agency. Subject to the inspection of the product by the company, a restocking charge of 20% of the Net purchased price paid to PROLUXE will be assessed. Merchandise may not be returned for credit without *prior written approval* of PROLUXE. Collect shipments *will not* be accepted. No returns after 60 days of original shipment date on machines. Purchased parts may not be returned after 30 days.

If upon inspection by PROLUXE or its authorized agent it is determined the equipment has not been used in an appropriate manner, has been modified, or has not been properly maintained, or has been subject to misuse, misapplication, neglect, abuse, accident, unauthorized modification, damage during transit, delivery, fire, flood, act or war, riot or act of God, then this warranty shall be deemed null and void.

Terms & Conditions:

1. Prices indicated in the PRICE LIST are suggested retail prices and are shown in U.S. DOLLARS.
2. Terms of Payment: NET 30 days.
3. **NEW ACCOUNTS:** Satisfactory credit information must be provided before open account status can be extended. Unless agreed otherwise, all shipments will be made C.O.D., CASH IN ADVANCE.
4. **PRICING:** Prices, specifications, model numbers, capacities and accessories are subject to change without notice.
5. **FREIGHT / ROUTING:** Method of shipment will be determined by PROLUXE unless otherwise advised by PURCHASER.
6. **DAMAGED CLAIMS:** All merchandise shipped at purchaser's risk. Inspection must be made by purchaser at time goods are received. If goods are damaged, the PURCHASER shall request that the agent of the transportation company make a written notation on the proper shipping documents immediately and then file a claim for damage. **GOODS DAMAGED IN SHIPMENT ARE NOT RETURNABLE.**
7. **RETURNS:** Machines may not be returned after 60 days. Purchased parts may not be returned after 30 days. A restocking fee of 20% will be assessed on non-warranty returns.
8. **TAXES:** Prices indicated herein DO NOT include State, Federal, Local or foreign taxes or duties, nor do they include fees, permits, insurance or other levies, all of which are the responsibility of the purchaser.
9. All orders are subject to acceptance by PROLUXE.
10. Possession of this price list shall not be considered an offer to sell.