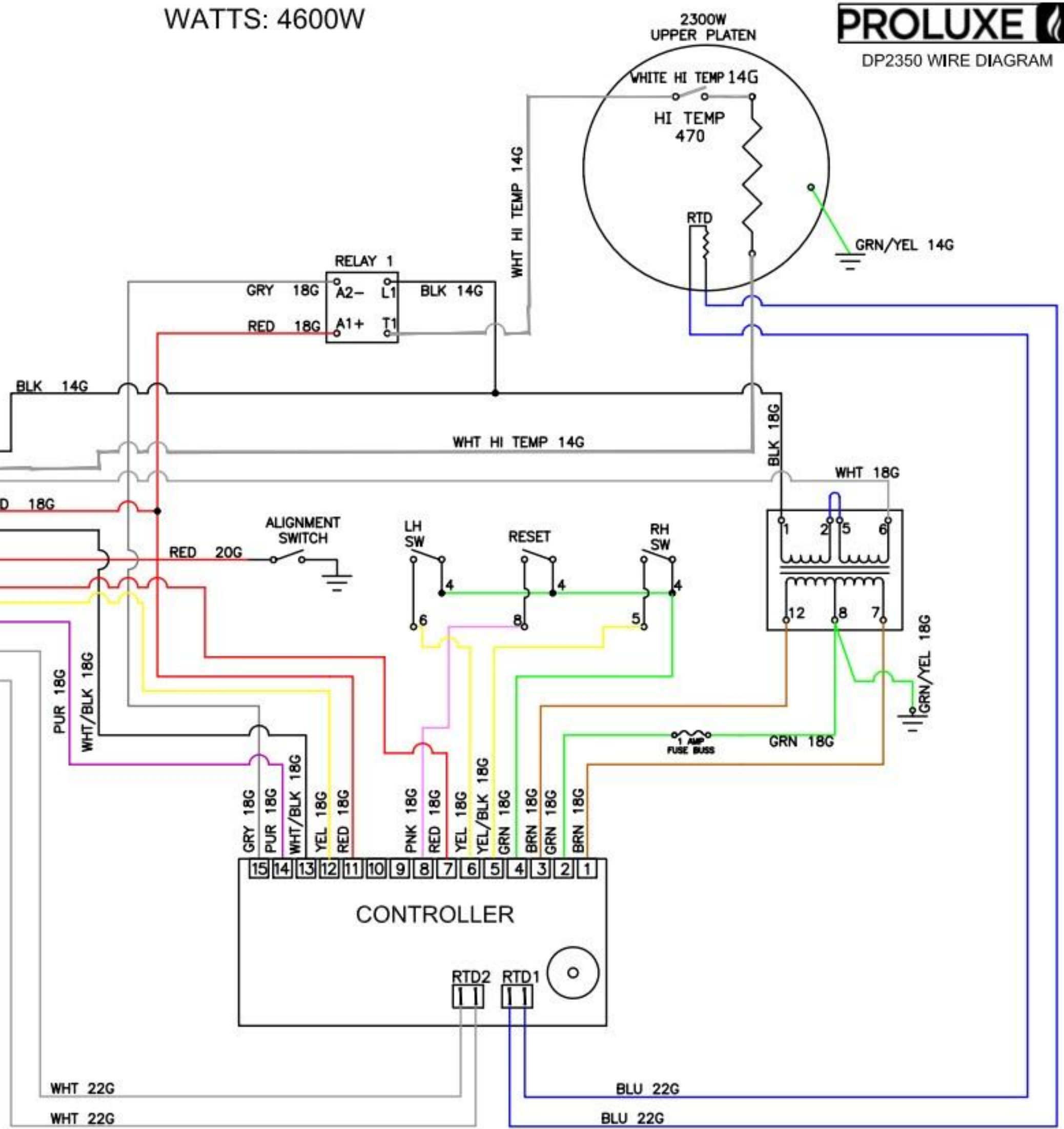


VAC: 208 VAC
 AMPS: 22.11A
 WATTS: 4600W

PROLUXE
 DP2350 WIRE DIAGRAM



BASE

CONTROLLER