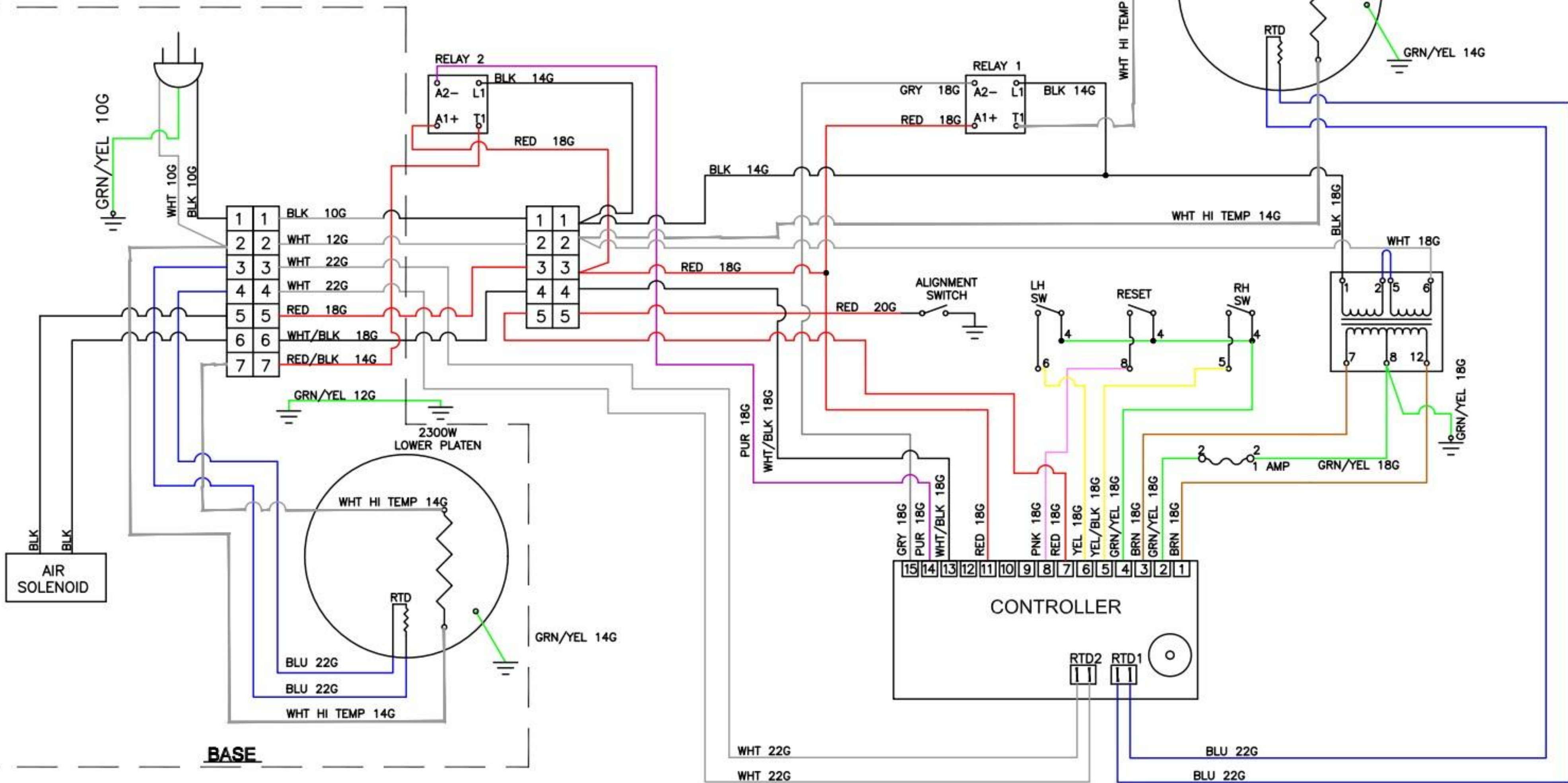


VAC: 208 VAC  
 AMPS: 22.12A  
 WATTS: 4600W

2300W  
 UPPER PLATEN

2300W  
 LOWER PLATEN



**BASE**

