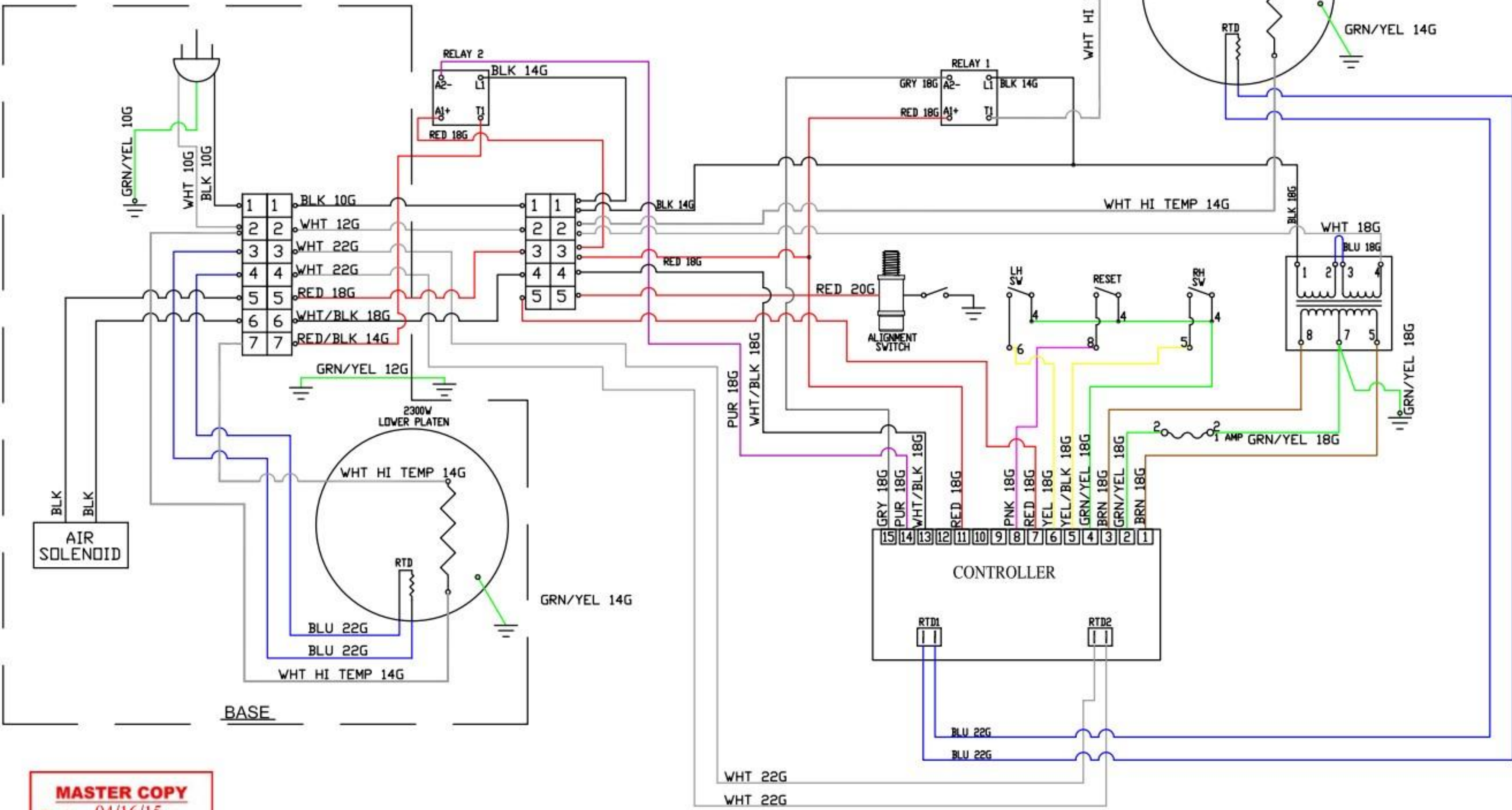


VAC: 208 VAC
AMPS: 22.12A
WATTS: 4600W



MASTER COPY
Date 04/16/15

ARM