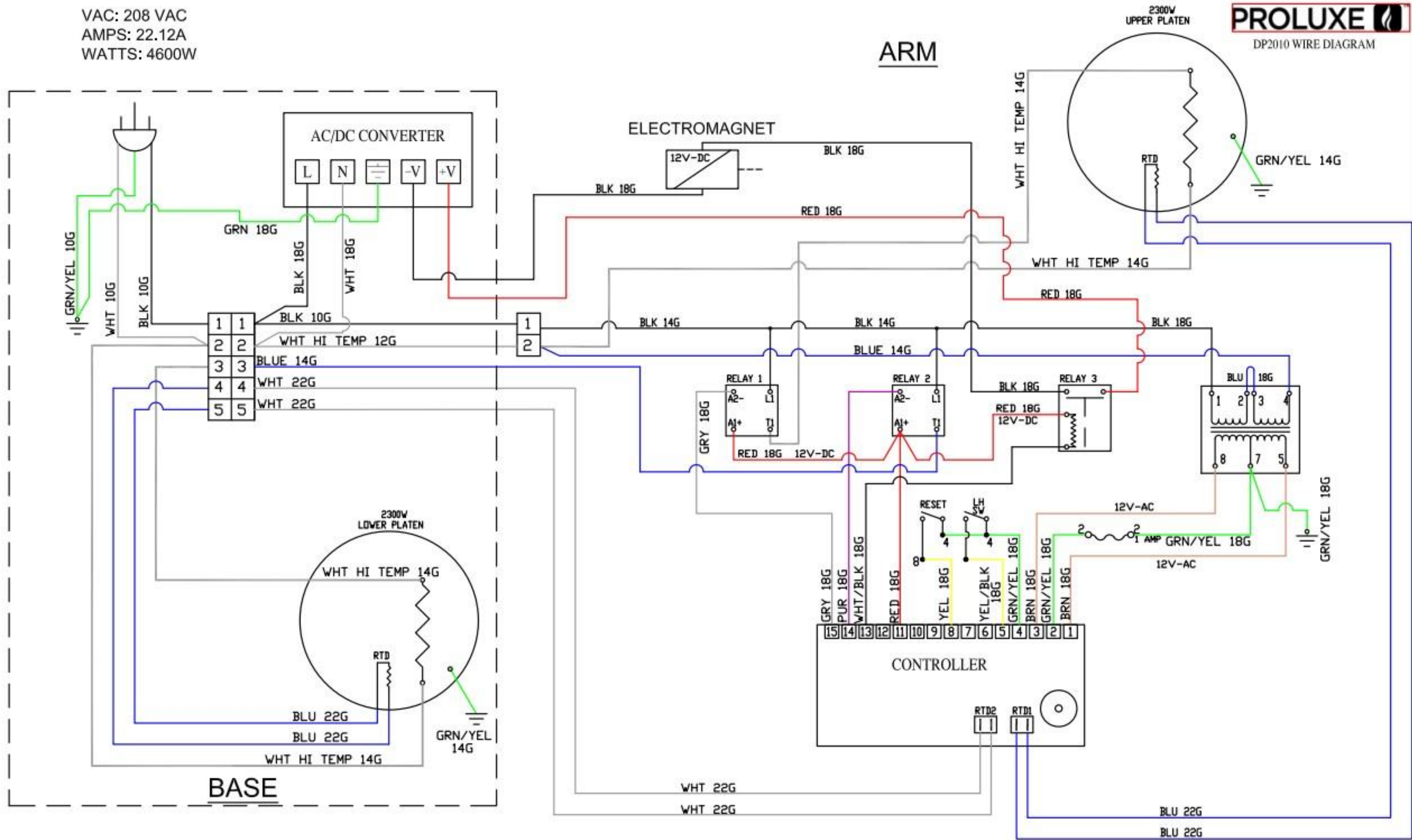


**MASTER COPY**  
 Date 04/10/17

VAC: 208 VAC  
 AMPS: 22.12A  
 WATTS: 4600W



MASTER COPY

Date 04/10/17

VAC: 208 VAC  
AMPS: 22.12A  
WATTS: 4600W

**PROLUXE**

DP2010 WIRE DIAGRAM

# ARM

