

Operations Manual

Model: DP2000BPP
Dual Heat Tortilla Press



TORTILLAPRO™



PROLUXE



formerly DOUGHPRO. New Name. Same Quality. Superior Service.

proluxe.com

Congratulations!

Your selection of the Doughpro DP2000BPP is a sound business decision. Whether your intended use is to press or par bake dough for pizzas, tortillas, mushi skins or other appropriate dough products, rest assured that you have made a wise choice.

Doughpro equipment is a result of the highest quality engineering and time-tested design. Your machine, combined with Doughpro's reputation of innovation in dough press equipment manufacturing, insures the continuing capability of delivering the best-decorated product possible.

This manual describes installation, operation, and maintenance procedures for your new model DP2000BPP.

Your model DP2000BPP machine will have a long trouble-free life. Read this manual carefully and keep it with your machine; it's your key to proper operation and lasting service.

Included with your shipment:

- 5 Rubber Feet
- Platen Saver **If your unit has polished platens**

Installation

DOMESTIC

Use a separate 15 amp AC circuit. Only industrial extension cords with proper wire size should be used; size 16/3 wire for distance up to 25 feet, and size 14/3 for distance up to 50 feet.

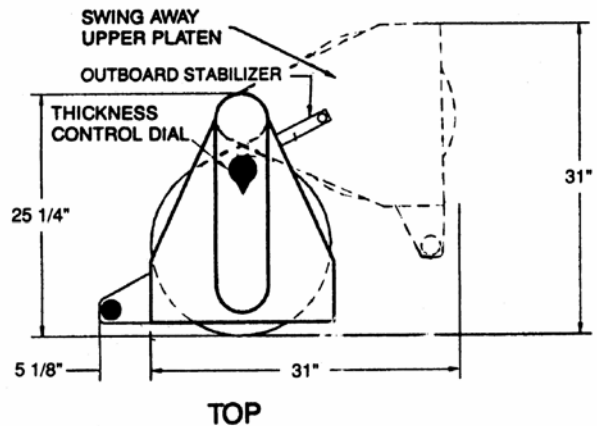


INTERNATIONAL

Use a designated 16 amp AC circuit. Only industrial extension cords with proper wire size (2.5 sq. mm) shall be used.



Make sure there is a proper electrical wall outlet located within reach of the cord and plug attached to the press. Then place the press in an area that allows for "swing clearance". Note that the upper platen rotates up to 90°, in a backward rotation, to facilitate removal of the dough product after the press cycle has been completed. Also note that the machine requires a vertical, clear space of 33" from the bottom of the machine to the top of the pull handle.



Limited Machine Warranty

Doughpro warrants this dough press machine, when operated under normal conditions, to be free from manufacturing defects in material and workmanship for a period of one year on parts and labor from the invoice date.

This warranty will be effective only when Doughpro authorizes the original purchaser to return the product to the Factory in Perris, California

prepaid and only when the product, upon examination, has proven to be defective.

This warranty does not apply to any machine that has been subjected to misuse, negligence or accident.

Doughpro shall not be liable for the injury, loss or damage, direct or consequential, arising out of the use or the inability to use the product.

No claim of any kind shall be greater in amount than the sale price of the product or part to which claim is made.

This is the sole warranty given by the company, it is in lieu of any other warranties, expressed or implied, in law or in fact, including the warranties of merchantability and fitness for a particular use, and is accepted such by the purchaser in taking delivery of this product.

Specifications

Electrical:

240V/50-60Hz/3000W/12.5Amps

Requires 30 AMP outlet

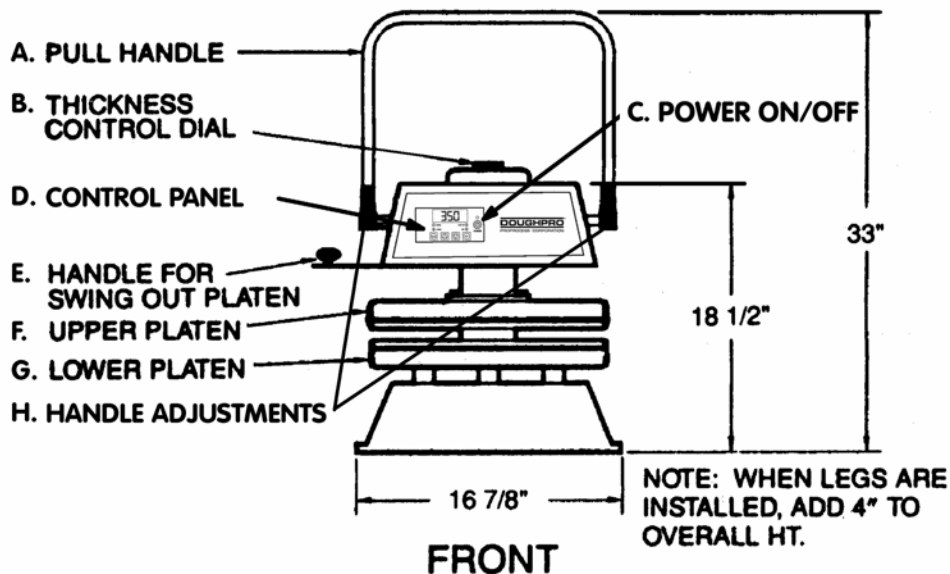
Includes 72" NEMA 6-15P approved cord and plug.

Shipping Weight:

180lbs. (82kg)

Familiarize yourself with controls and operating mechanisms before attempting to use the DP2000BPP. These are as follows:

- (A) Pull Pressing Handle for raising and lowering the upper platen. This action forces the mating of the platens.
- (B) Thickness Control Dial.
- (C) On/Off Button. The green light above the button will illuminate when turned on to indicate power is in the press.
- (D) Control Panel (*see Control Board Operations*)
- (E) Handle for swing-out platen.
- (F) Upper platen
- (G) Lower platen
- (H) Handle adjustments (*see Tightening the Pull-Down Handle*)





WARNING

In case of power cord damage, do not attempt to repair or replace the power cord. Contact the manufacturer or the local distributor.



WARNING

Avoid touching hot surfaces while operating the machine.



CAUTION

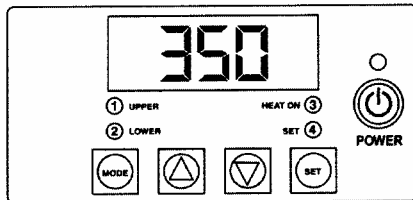
During normal operation, the base of the machine must be installed or placed above the wall socket.



CAUTION

When servicing or cleaning the machine, make sure that the power cord is removed from the wall socket.

Control Board Operations



Solid State Controller

This controller has three (3) control features:

1. Temperature – Temperature may be set from 225°-450°F (107°-232°C). The factory default setting is 200°. If you would like to change this setting, simply follow the *Controller Operation* directions.

2. Counter – Cycle counter counts the number of applications from 1 to 9999 (*see additional Notes – Counter*).
3. Timer – A timer mode is available upon special request. If you would like to have the timer function installed, please call 1-800-624-6717

Controller Operation

Temperature Control

1. Press the **MODE** button until temperature is displayed.
2. Push and hold **SET** button and simultaneously push UP (▲) or DOWN (▼) arrow buttons to the desired temperature setting.

For the DP2000BPP, both the upper and lower platens may be set to different temperatures.

- *Upper Platen:* Simply push the **MODE** button until the “upper” light is illuminated. Adjust the temperature as noted above.
- *Lower platen:* Simply push the **MODE** button until the “lower” light is illuminated. Adjust the temperature as noted above.

Dough Pressing Operations

SETTING CRUST THICKNESS CONTROL:

*The thickness is determined by dough weight and temperature setting on each platen. Setting crust thickness is as simple as the twist of a dial. The thickness adjustment dial can be located on the top of the DP2000BPP. By means of trial and error, rotate the dial until desired thickness is obtained. **If your platens are polished they have been coated with *Platen Saver*. This product will prevent dough from sticking and make cleanup much easier. A sample bottle has been included along with an order sheet for your convenience. **Note: Never force the dial past its stop position or damage could occur.**

Dough Product	Press Only		Press & Par Bake	
	Temp	Press Time	Temp	Press Time
Pizza	150°F both platens	3 seconds	325°F both platens	7-15 seconds
Flour Tortilla	N/A		350°F both platens	1 quick second
Corn Tortilla	No heat, must use wax paper	3 seconds	N/A	
Mushi Skin	150°F both platens	3 seconds	N/A	

****To achieve consistent size flour tortillas of smaller than 10" you will need to only press 2 at a time as shown in the pictures included with the manual.***

PRESSING DOUGH:

1. First make sure you have the correct type electrical current or serious damage could occur!
2. Press the Power Button in order to turn the machine on. A green light will illuminate above the power button indicating that power is in the machine.
3. Both the upper and lower platens will heat up once you have adjusted your digital control to your desired setting. *Note: Different products require different temperature settings. In order to determine the right temperature setting for your product, refer to the following table simply as a guide for starting.*

Note: Keep in mind that dough formulations may differ, and that you may have to do some trial and error testing of different temperatures and platen pressure to arrive at the proper end result for your particular product.

Also note that the finished, after-pressing diameter of the finished dough piece is determined by the weight of the dough and the amount of pressure applied to the platens.

For best results, your dough should be proofed at room temperature before pressing, but it will also press directly out of your refrigerator. **Flour is not required to press a crust and should not be dusted on any part of the machine.**

No. DPPC1. (See our catalog and price list for information.)

*Note: This spray **will not** affect the taste of your crust in any way.*

6. Place your pre-portioned ball of dough in the approximate center of the lower platen. Add another dash of spray to the top of the dough ball.
7. Close the platen and pull the “U” shaped handle down to commence the pressing operation.
8. Hold the handle down for as long as you have determined to be the appropriate amount of time for your particular product and then simply pull the handle back up when you have completed.
9. Inspect your dough. If it is too thick, rotate the thickness control dial, located on the top of the machine, to the line marked “THIN”. Reverse this procedure if your product presses too thin. Experiment with temperature, dough weight, time, and pressure until you arrive at the desired result.
10. Remove the finished product by rotating the upper platen out of the way until you have sufficient space to do so. Place the dough on a screen or in a pan. Since the shape of the dough may be altered slightly in the transfer process, some hand fitting may be required. Add toppings, if desired, and now you are ready to bake.

ADDITIONAL NOTES:

Temperature

Note

Fahrenheit/Centigrade (Celsius) Conversion

*The temperature controller can be programmed to display either °F or °C. To change: Press the **MODE** button until the temperature is displayed, then push and hold the **SET** button for 10 seconds.*



Counter

The controller has a built in cycle counter.

- Press MODE button until the counter is displayed.
- Counter display range is 0000 to 9999.
- To reset the cycle counter, display the counter reading, then push and hold both UP (▲) and DOWN (▼) arrow buttons for 3 seconds until the counter resets to zero (0000) on the display.

Tightening the Pull-Down Handle

The pull-down pressing handle requires adjustment periodically to prevent it from free falling. Whenever the handle seems too loose or is falling by itself, the problem can be corrected easily and quickly as follows:

1. Using a 3/16” hex shaped Allen wrench, insert in key slot located on the right **beneath** the upper shroud.
2. Tighten until the press action of the handle becomes firm but not too tight.

International Symbols



Power Off



Power On



Hot Surface



Risk of Electrical Shock



Protective Earth Terminal





Ground




Caution - Warning


Serial Tags

PROPROCESS CORPORATION		 
PATENT # 6,332,768		
MODEL DP2000	S/N 40000	
VOLTS 240 ~	50/60 Hz	
WATTS 1500	YR. 200	
COMMERCIAL COOKING APPLIANCE FACTORY: 5842 BORWICK AVE. SOUTH GATE CA. 90280		

PART # SPRODP2000C

PROPROCESS CORPORATION		
PATENT # 6,332,768		
MODEL DP2000	S/N 20000	
VOLTS 240 ~	50/60 Hz	
WATTS 1500	YR. 200	
COMMERCIAL COOKING APPLIANCE FACTORY: 5842 BORWICK AVE. SOUTH GATE CA. 90280		

PART # SPRODP2000B

PROPROCESS CORPORATION		
PATENT # 6,332,768		
MODEL DP2000	S/N 10000	
VOLTS 120 ~	50/60 Hz	
WATTS 1500	YR. 200	
COMMERCIAL COOKING APPLIANCE FACTORY: 5842 BORWICK AVE. SOUTH GATE CA. 90280		

PART # SPRODP2000A

Preventative Maintenance Suggestions

The Doughpro DP2000BPP machines are relatively maintenance free. For a long and trouble-free life, the following preventative maintenance should be followed:

Daily Care:

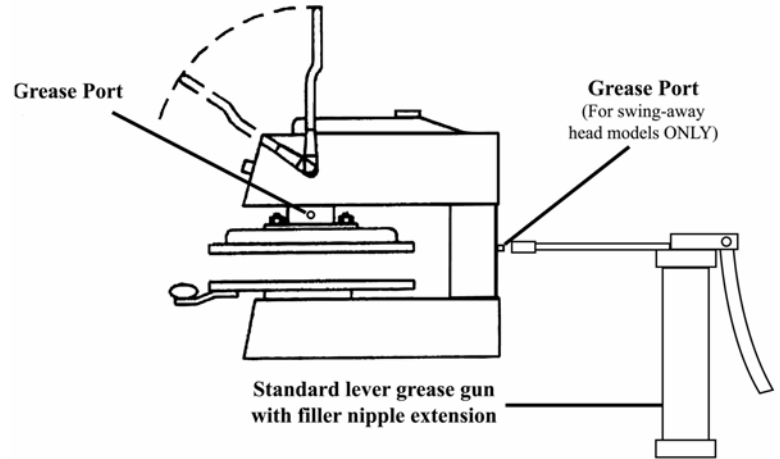
1. **Platens:** These platens should *only* be cleaned with mild soap and warm water then wiped off with a clean, soft cloth or soft sponge. **Never use steel wool or harsh abrasives or you will cause costly damage.**
2. **All other exterior surfaces:** Here again a daily wipe down with mild soap and warm water will do the job quite nicely. **Never use steel wool or harsh abrasives or you will cause costly damage.**

Piston Maintenance:

In order to ensure proper and trouble free operation of the press piston, it is important that the machine be lubricated once every three (3) months, under normal operation. High volume users may require more frequent lubrication.

The lubricant used must be USDA H-1 authorized for food machinery. This lubricant can be ordered through Doughpro/Proprocess Corporation as part number # 110-002. Please follow these simple instructions:

1. Locate the grease port on the machine. Machines with pull down arms have a single grease port located below the upper head on the right side of the vertical post. Machines with swing-away upper heads have two grease ports; one on the right side of the vertical post and one on the back of the vertical post. All other machines have a single port. (refer to illustration)
2. Place grease gun head against grease port and apply enough pressure to allow gun head to engage the grease port.
3. Squeeze handle of grease gun which forces the grease into the piston. **One squeeze is all it takes.**



Service Problems:

Contact our factory or approved service agency (U.S. only). *Note: When contacting factory for information, parts or service instructions, it is of the **utmost importance** that the serial number of the machine be provided. This number can be found on the serial plate located on the rear of the machine.*

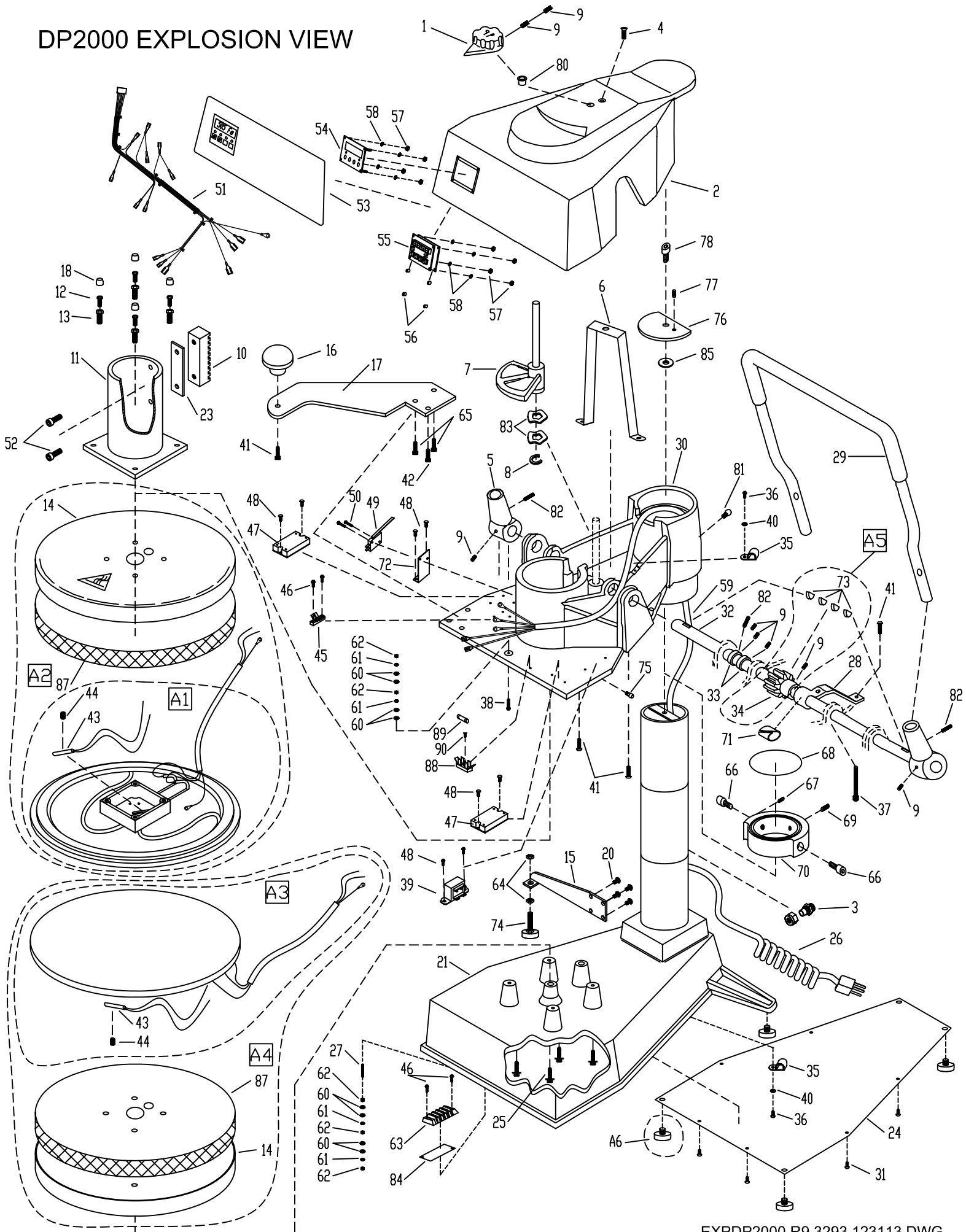
DOUGHPRO DP2000 Trouble Shooting Guide

Symptom	Probable Cause	Action to be Taken
Power Button on Digital Controller face is depressed but doesn't turn on.	Power Cord is not plugged in.	Plug power cord into wall 's receptacle and depress power button on controller
	Circuit Breaker is tripped off in the site's breaker box	Reset circuit breaker that the Grill is plugged into. Depress Power Button to turn on.
	Transformer has taken a electrical surge and is damaged	Replace Transformer after you check secondary side of transformer. If working properly, you should receive 12vdc.
	Check voltage on the secondary side of the Transformer. If you read 12VDC then you are receiving voltage to the Controller.	Replace Controller. Controller should be on once the power button is depressed.
	Possibly blown Fuse	Replace fuse.
Digital Controller's LED's are scrambled or randomly erratic. If when turning on, the display will first go to segment check	Possibly a componet on the Digital Controller is damaged	Replace Digital Controller
	Possibly control needs to reset	While unit is on (controller lit up) Unplug unit, wait for 1 min. then plug machine on and depress power button.
Digital Controller on startup goes through LED segment check (8888) then to version # and then loops back to to the above reboot.	The relay driver on the digital control may be blown.	Replace Digital Controller.
Digital display shows PROB. No heat on Upper Platen or Lower Platen.	Sensor lost it's continuity as shown on a muti-meter.	Disconnect prob that is open (no continuity as shown on a multi-meter. Must replace Sensor (RTD). Do not cut and splice new sensor. Install new 2000 ohm RTD sensor to under side of Heat Platen and reconnect to Controller.
When depressing the tactile button on Digital Controller, nothing happens.	The tactile buttons under the overlay may be not close enough to activate. Same goes if the buttons are already pressed by overlay without depressing button.	Carefully (no too much at one time to avoid fracturing the traces on the Controller) tighten the nuts on the back of the Controller until button activate. Same goes in reverse if buttons are held down by the overlay.
Digital display shows Relay and Particular zone is over heating or outer zone).	The Relay on the switched side is not opening to regulate temperature.	Replace the Relay.
Beeper not functioning or intermitten beeper sound.	Beeper on Digital Control board failed.	Replace Digital Controller board
If setpoint is reached but slighty off in temperature.	Offset may need to be calibrated and adjusted.	Must call (800) 624-6717 ext. 129 for confidential instructions.

DOUGHPRO DP2000 Trouble Shooting Guide

Symptom	Probable Cause	Action to be Taken
Heater Platen overheating	If the Relay (depending the year of the model) on the coil side are receiving 12vdc indicates the Controller is functioning properly. On the switching side of the relay, is there 120 vac going to the heater in question . If there is no voltage on the to the switching side of the relay to the heaters, the Relay is not working properly. It has been seen on remote cases, the Sensor (2M ohm) can give a false reading as well.	Replace Relay If the Controller's heat-on LED is not lit indicating the controller is working properly. If this is not the issue, replace sensor.
Dough not having same thickness across the press dough.	To adjust upper platen for level press	Underneath the arm resting on the Upper Platen Shroud you will find 4, stacked hex bolts sitting over the upper platen attach to the arm. The top bolts are called locking bolts. The 4 larger Hex Bolts below are Adjustment Bolts. Break free the 4 Locking blts. With a open end wrench adjust the A. bolts (1/8 turn at a time where needed and test with dough. After satisfied, tighten the Locking bolts making sure not to move the larger Adustment Bolts.

DP2000 EXPLOSION VIEW



PROLUXE
PARTS LIST DP2000

REF. #	DESCRIPTION	DP2000B 240 ~ AC	DP2000LB 240 ~ AC	DP2000PB 240 ~ AC	DP2000PLB 240 ~ AC
1	KNOB, THICK / THIN	1109309	1109309	1109309	1109309
2	HOUSING, INSTRUMENT	110118122	110118122	110118122	110118122
3	CABLE STRAIN RELIEF	3231	3231	3231	3231
4	SCREW, HOUSING	SF142034	SF142034	SF142034	SF142034
5	HANDLE SOCKET	11016650	11016650	11016650	11016650
6	BRACKET, HOUSING	110144130	110144130	110144130	110144130
7	CAM RAMP ASSEMBLY	1109310	1109310	1109310	1109310
8	RETAINING CLIP (CAM RAMP)	MPSC240	MPSC240	MPSC240	MPSC240
9	SET SCREW, GEAR BAR ASSEMBLY	SST142038	SST142038	SST142038	SST142038
10	GEAR RACK	1109380	1109380	1109380	1109380
11	PISTON ASSEMBLY	11018974	11018974	11018974	11018974
12	LOCKING BOLT, ADJUSTMENT	BH51618134G5	BH51618134G5	BH51618134G5	BH51618134G5
13	BOLT, LEVEL ADJUSTMENT	1109367	1109367	1109367	1109367
14	SHROUD, UPPER PLATEN	1109336	1109336	1109336	1109336
15	LEFT HAND SWING ASSEMBLY	N/A	11058901	N/A	11058901
16	KNOB (SWING)	110017	110017	110017	110017
17	HANDLE SWING	110288210	110288210	110288210	110288210
18	CAP, VINYL (ADJUSTMENT SCREWS)	SC0687	SC0687	SC0687	SC0687
20	SCREW, PAN HEAD	N/A	SP142012	N/A	SP142012
21	BASE ASSEMBLY WITH POST	11061911	11061911	11061911	11061911
23	SHIM, GEAR RACK	110144120	110144120	110144120	110144120
24	COVER PLATE, BASE	11010954	11010954	11010954	11010954
25	SCREW, LOWER PLATEN	SSH51618214	SSH51618214	SSH51618214	SSH51618214
26	POWER CORD	110969175	110969175	110969175	110969175
27	SET SCREW, BASE GROUND	SST8321	SST8321	SST8321	SST8321
28	TENSION STRAP ASSEMBLY	11041663	11041663	11041663	11041663
29	HANDLE, PRESSURE	1109390	1109390	1109390	1109390
30	ARM	11098421	11098421	11098421	11098421
31	SCREW, BASE COVER PLATE	SP83214	SP83214	SP83214	SP83214
32	GEAR BAR	1109361	1109361	1109361	1109361
33	COLLAR, GEAR BAR	11013183	11013183	11013183	11013183
34	PINION GEAR	1109360A	1109360A	1109360A	1109360A
35	CLAMP, CABLE	CC12	CC12	CC12	CC12
36	SCREW, CLAMP, CABLE	SP83238	SP83238	SP83238	SP83238
37	SCREW, TENSION STRAP ADJUSTMENT	SSH1420314	SSH1420314	SSH1420314	SSH1420314
38	SCREW, GROUND	SP8321	SP8321	SP8321	SP8321
39	TRANSFORMER	11096975	11096975	11096975	11096975
40	WASHER, CLAMP, CABLE	WSAE8	WSAE8	WSAE8	WSAE8
41	SCREW, HANDLE SWING	SB142034	SB142034	SB142034	SB142034
42	SCREW, HANDLE SWING	SSH142012	SSH142012	SSH142012	SSH142012
43	SENSOR ASSEMBLY BLUE	110949110	110949110	110949110	110949110

PROLUXE
PART LIST DP2000

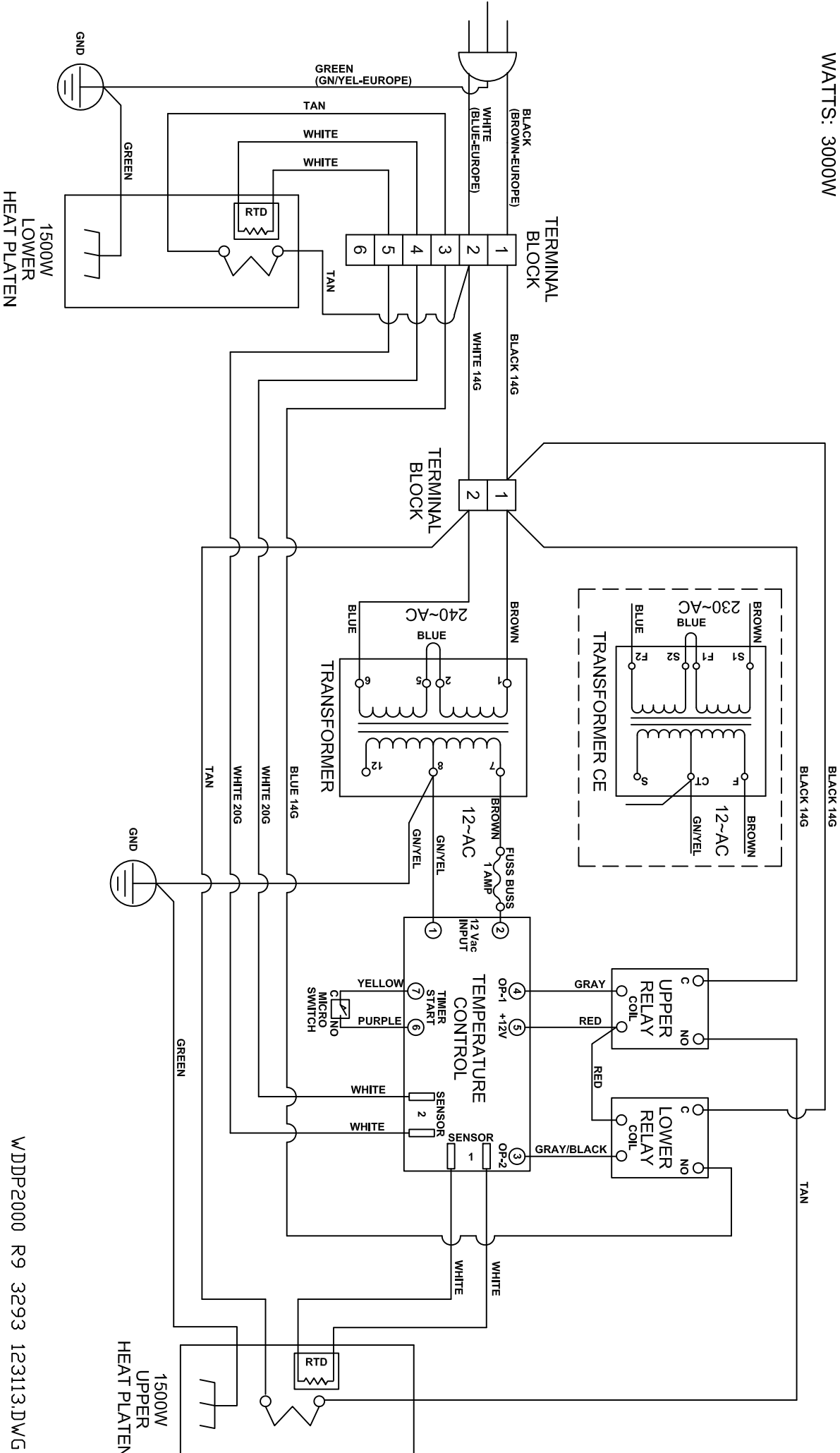
REF. #	DESCRIPTION	DP2000B 240 ~ AC	DP2000LB 240 ~ AC	DP2000PB 240 ~ AC	DP2000PLB 240 ~ AC
44	SET SCREW, SENSOR	SST381638	SST381638	SST381638	SST381638
45	TERMINAL BLOCK	11098414	11098414	11098414	11098414
46	SCREW, TERMINAL BLOCK	SP83212	SP83212	SP83212	SP83212
47	SOLID STATE RELAY	MPR90217	MPR90217	MPR90217	MPR90217
48	SCREW, RELAY & TRANSFORMER	SP83214	SP83214	SP83214	SP83214
49	MICRO SWITCH	110969044	110969044	110969044	110969044
50	SCREW, MICRO SWITCH	SR44034	SR44034	SR44034	SR44034
51	WIRE HARNESS	110589050	110589050	110589050	110589050
52	SCREW, GEAR RACK	SSH381634	SSH381634	SSH381634	SSH381634
53	CONTROL PANEL OVERLAY	OPRODP1100	OPRODP1100	OPRODP1100	OPRODP1100
54	CONTROL FACIA	11086027	11086027	11086027	11086027
55	DIGITAL CONTROL	11096905220	11096905220	11096905220	11096905220
56	SPACER, NYLON	110969111	110969111	110969111	110969111
57	NUT, DIGITAL CONTROL	NH632	NH632	NH632	NH632
58	WASHER LOCK INT, DIGITAL CONTROL	WLIT6	WLIT6	WLIT6	WLIT6
59	POWER DIST CABLE	110589067	110589067	110589067	110589067
60	WASHER, GROUND	WSAE8	WSAE8	WSAE8	WSAE8
61	WASHER LOCK INTERNAL, GROUND	WLIT8	WLIT8	WLIT8	WLIT8
62	NUT, GROUND	NH832	NH832	NH832	NH832
63	TERMINAL BLOCK #6	6016	6016	6016	6016
64	NUT, HEX JAM	N/A	NHJ51618	N/A	NHJ51618
65	SCREW, HANDLE SWING	SSH142058	SSH142058	SSH142058	SSH142058
66	SCREW, COLLAR	SSH516181D	SSH516181D	SSH516181D	SSH516181D
67	SCREW, COLLAR	SST142034	SST142034	SST142034	SST142034
68	ORING, COLLAR	MPSS062	MPSS062	MPSS062	MPSS062
69	SCREW, COLLAR	SST5161834	SST5161834	SST5161834	SST5161834
70	COLLAR	11041323	11041323	11041323	11041323
71	BUSHING, BRASS (TENSION STRAP)	11018966	11018966	11018966	11018966
72	MICROSWITCH BRACKET	1101021213	1101021213	1101021213	1101021213
73	WOODRUFF KEY	KW931634	KW931634	KW931634	KW931634
74	RUBBER LEG	N/A	110288204	N/A	110288204
75	ZERK FITTING	B792	B792	B792	B792
76	ARM RETAINING PLATE	11056858	11056858	11056858	11056858
77	PIN, ROLL	PR18516	PR18516	PR18516	PR18516
78	SCREW, ARM RETAINING PLATE	SSH1213112	SSH1213112	SSH1213112	SSH1213112
80	BUSHING, INSTRUMENT HOUSING	212NN01420000	212NN01420000	212NN01420000	212NN01420000
81	ZERK, FITTING	B610	B610	B610	B610
82	SET SCREW, HANDLE SOCKET	SST14201	SST14201	SST14201	SST14201
83	WAVE WASHER	5806282	5806282	5806282	5806282
84	MARKER STRIP	MS6016	MS6016	MS6016	MS6016
85	WASHER, ARM RETAINING PLATE	WSAE12	WSAE12	WSAE12	WSAE12
87	FIBERGLASS INSULATION	MPSP251	MPSP251	MPSP251	MPSP251
88	FUSE HOLDER 1 AMP	MPPF708	MPPF708	MPPF708	MPPF708

PROLUXE
PARTS LIST DP2000

REF. #	DESCRIPTION	DP2000B 240 ~ AC	DP2000LB 240 ~ AC	DP2000PB 240 ~ AC	DP2000PLB 240 ~ AC
89	FUSE BUSS 1 AMP	MPPF701R	MPPF701R	MPPF701R	MPPF701R
90	SCREW PHILLIPS PAN 2-56 x 1/4	SP25614	SP25614	SP25614	SP25614
A1	UPPER PLATEN WIRE ONLY	1101021101	1101021101	11098431100	11098431100
A2	UPPER PLATEN COMPLETE ASSEMBLY	1101021101K	1101021101K	11098431200	11098431200
A3	LOWER PLATEN WIRE ONLY	1101021100	1101021100	11098432100	11098432100
A4	LOWER PLATEN COMPLETE ASSEMBLY	1101021100K	1101021100K	11098432200	11098432200
A5	PINION GEAR ASSEMBLY	1109360A	1109360A	1109360A	1109360A
A6	FEET, RUBBER (5 EACH)	RF209	RF209	RF209	RF209

VAC: 240
 AMPS: 12.5
 WATTS: 3000W

DOUGHPRO
 DP2000 WIRE DIAGRAM





Warranty & Return Policy

Proluxe warrants all products manufactured by it against defects in workmanship or materials from the date of purchase for a period of (1) year on parts and labor. **This warranty applies to only equipment purchased and used in the United States.** Warranty period shall begin when equipment ships and will not exceed 90 days past the original shipment date. Warranty travel shall only be covered for 60 miles.

ALL WARRANTY SERVICE CALLS MUST BE APPROVED BY PROLUXE. IF THIS PROCEDURE IS NOT FOLLOWED, WARRANTY SERVICE WILL NOT BE COVERED. WARRANTY SERVICE WILL BE PAID ON STRAIGHT TIME, OVERTIME WILL NOT BE COVERED.

Exclusions:

- 1. WOOD / GAS FIRED OVENS:** PROLUXE warranty applies to the main body of the oven being steel / refractory and insulation shall be free from defects in materials and workmanship for a period of four years from the date of purchase. The gas equipment shall be free from defects in materials and workmanship for a period of one (1) year from the date of purchase. This warranty excludes the tandoori and home oven. Lifetime warranty against cracks on oven floor.
- 2. TANDOORI & HOME OVENS:** PROLUXE warrants the Tandoori & Home Oven including gas equipment shall be free from defects in materials and workmanship for a period of one (1) year from the date of purchase.
- 3. Air compressors are excluded from this warranty,** but PROLUXE may act as a warranty expeditor in certain instances regarding these compressors. The air compressor manufacturer provides a limited warranty and a copy of this warranty is furnished with all compressors sold by PROLUXE. For prompt handling of compressor warranty claims the instructions of the compressor manufacturer must be adhered to.
- 4. Equipment built to special order as well as accessories** are not returnable unless defective within the terms of this warranty.
- 5. In no event shall PROLUXE be liable for consequential damages arising out of the failure of any of its products if operated improperly or caused by normal wear or damage by operator abuse.**
- 6. BC2325 pedestal warranty disclaimer:** Pedestals shall only be covered under warranty if they have been cleaned using the factory approved cleaning method. cracked or damaged pedestals must be inspected by the factory before warranty is authorized.

Returned Merchandise Policy:

Should it become necessary to return any of the company's products, the following instructions must be adhered to: First, contact our customer service department for approval and a return authorization number. *Please have the serial number of your item available at that time.* All merchandise must be shipped *freight prepaid* by customer or service agency. Subject to the inspection of the product by the company, a restocking charge of 20% of the Net purchased price paid to PROLUXE will be assessed. Merchandise may not be returned for credit without *prior written approval* of PROLUXE. Collect shipments *will not* be accepted. No returns after 60 days of original shipment date on machines. Purchased parts may not be returned after 30 days.

If upon inspection by PROLUXE or its authorized agent it is determined the equipment has not been used in an appropriate manner, has been modified, or has not been properly maintained, or has been subject to misuse, misapplication, neglect, abuse, accident, unauthorized modification, damage during transit, delivery, fire, flood, act or war, riot or act of God, then this warranty shall be deemed null and void.

Terms & Conditions:

- Prices indicated in the PRICE LIST are suggested retail prices and are shown in U.S. DOLLARS.
- Terms of Payment: 1% 10 days, NET 30 days.
- NEW ACCOUNTS:** Satisfactory credit information must be provided before open account status can be extended. Unless agreed otherwise, all shipments will be made C.O.D., CASH IN ADVANCE.
- PRICING:** Prices, specifications, model numbers, capacities and accessories are subject to change without notice.
- FREIGHT / ROUTING:** Method of shipment will be determined by PROLUXE unless otherwise advised by PURCHASER.
- DAMAGED CLAIMS:** All merchandise shipped at purchaser's risk. Inspection must be made by purchaser at time goods are received. If goods are damaged, the PURCHASER shall request that the agent of the transportation company make a written notation on the proper shipping documents immediately and then file a claim for damage. **GOODS DAMAGED IN SHIPMENT ARE NOT RETURNABLE.**
- RETURNS:** Machines may not be returned after 60 days. Purchased parts may not be returned after 30 days. A restocking fee of 20% will be assessed on non-warranty returns.
- TAXES:** Prices indicated herein DO NOT include State, Federal, Local or foreign taxes or duties, nor do they include fees, permits, insurance or other levies, all of which are the responsibility of the purchaser.
- All orders are subject to acceptance by PROLUXE.
- Possession of this price list shall not be considered an offer to sell.