

Operations Manual

Model: CSD1515IA
Digitally Controlled
Clam Shell Grill Islands



PROGRILLTM



PROLUXETM 
formerly DOUGHPRO. New Name. Same Quality. Superior Service.
proluxe.com

Operation Instructions

Please read carefully before attempting to use this appliance.

Step 1. Carefully unpack and clean grill plates with mild soap then sponge clean with cold water.

Step 2. Place in location where it will be used allowing for clearances per the dimensions indicated.

WARNING! Allow 2” minimum clearance between adjacent equipment and/or wall areas.

Do not touch hot surfaces.

Step 3. Plug into proper 3 prong wall outlet. If other appliances are connected to the same circuit make sure the total load does not exceed maximum ampacity of the circuit. Electrical information is as follows:

120V/60Hz/1 phase/2200W/18.3 Amps

208V/60Hz/1 phase/2800W/13.5 Amps

Step 4: Warm-up

Energize by turning on the power switch which will illuminate when turned on. The display flashes and shows left preset timer during warm-up. Pre-heat temperature time will be 40-50 minutes. When the set point is reached, the display stops flashing and beeps 3 times.

Step 4: Operation

Simply place product on grill, close lid and press the desired pre-set time cycle (ex: 10 seconds). After the time cycle is finished press it again to reset the time cycle.

Cleaning Instructions

NOTE! Always turn off power and allow to cool down before attempting to clean. ***Never submerge grill in water or other liquid nor use mineral spirits or other flammable material to clean this appliance.***

!Never use ice to cool down grill, warranty will be void!

Clean stainless steel and griddle surfaces with soap and water using a soft, clean cloth periodically as required, but at least once daily. Never use harsh abrasives. Use only non-abrasive scouring pads when required.

Clean Cycle

275°F is the factory default temp for the CLEAN cycle. To change the CLEAN cycle temp, simultaneously hold down the TEMP and CLEAN buttons for 15 seconds.

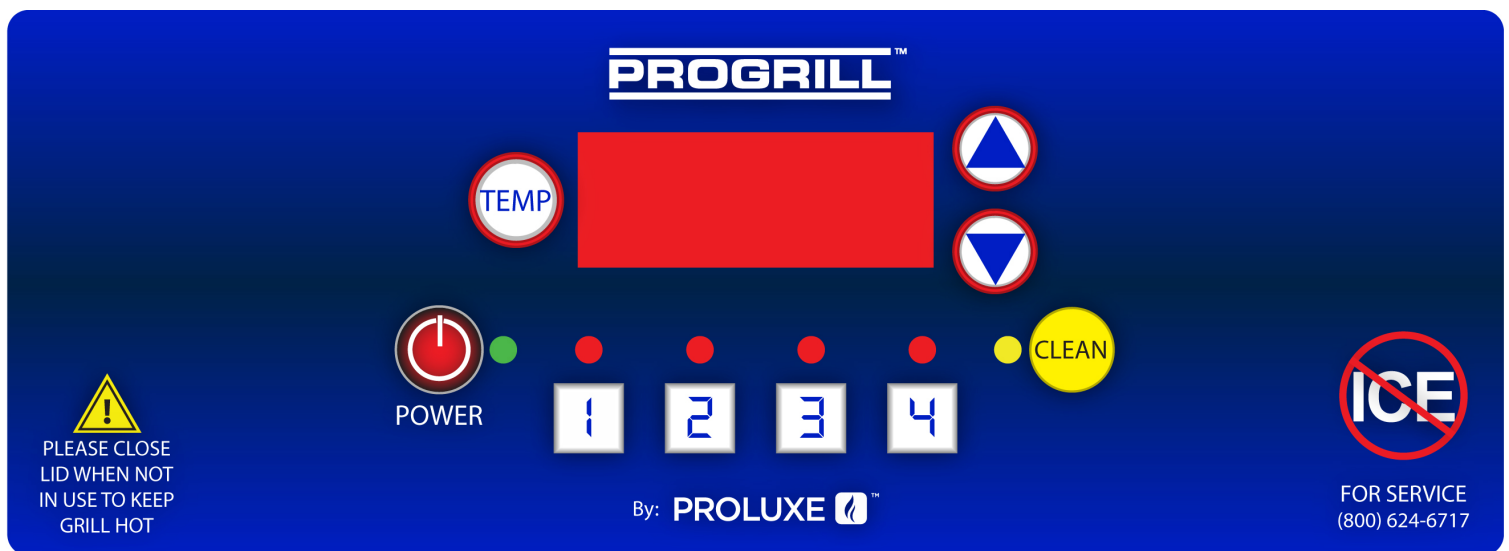
Using the up or down arrows to adjust to the desired temp.

To start a clean cycle, push CLEAN button once so the CLEAN LED light is turned on. All preset LED's are turned off, and the temperature set point is changed to the clean set point of 275°F. This also initiates the cool down to clean set point condition as well the display starts flashing until the clean set point is reached.

To stop the clean cycle, simply press the CLEAN button once to deactivate the clean cycle. The CLEAN LED is turned off, the preset LED's are restored, the temperature set point is changed to the main set point. Again, the warm-up condition is initiated and the display flashes until the cook set point is reached.

CSD1515 Operating Instructions:

1. Press desired time to start the time cycle. After the cycle is finished, press it again to reset the time cycle
2. If for any reason the timer has to be reset in the middle of a cycle, you must press and hold the corresponding timer button for 3 seconds.



Instruction's for Adjusting the Temperature

PRESS and hold the **TEMP** and **ARROW** up buttons **simultaneously** for **15 seconds**.

The current temperature setting will display on the right digital display only.

Using the **ARROW** buttons, you may now adjust the temperature to your desired setting.

Once you have set your desired temperature simply push the **TEMP** button. The digital displays will now read the preset times.

Instruction's for Adjusting the Set-Time

Press the **TEMP** button **first and then the desired timer button and continue to hold both** for **5 seconds**.

The digital displays will now read their preset times as shown here. Each side is capable of having up to 4 different settings, making a total of 8 set-times.

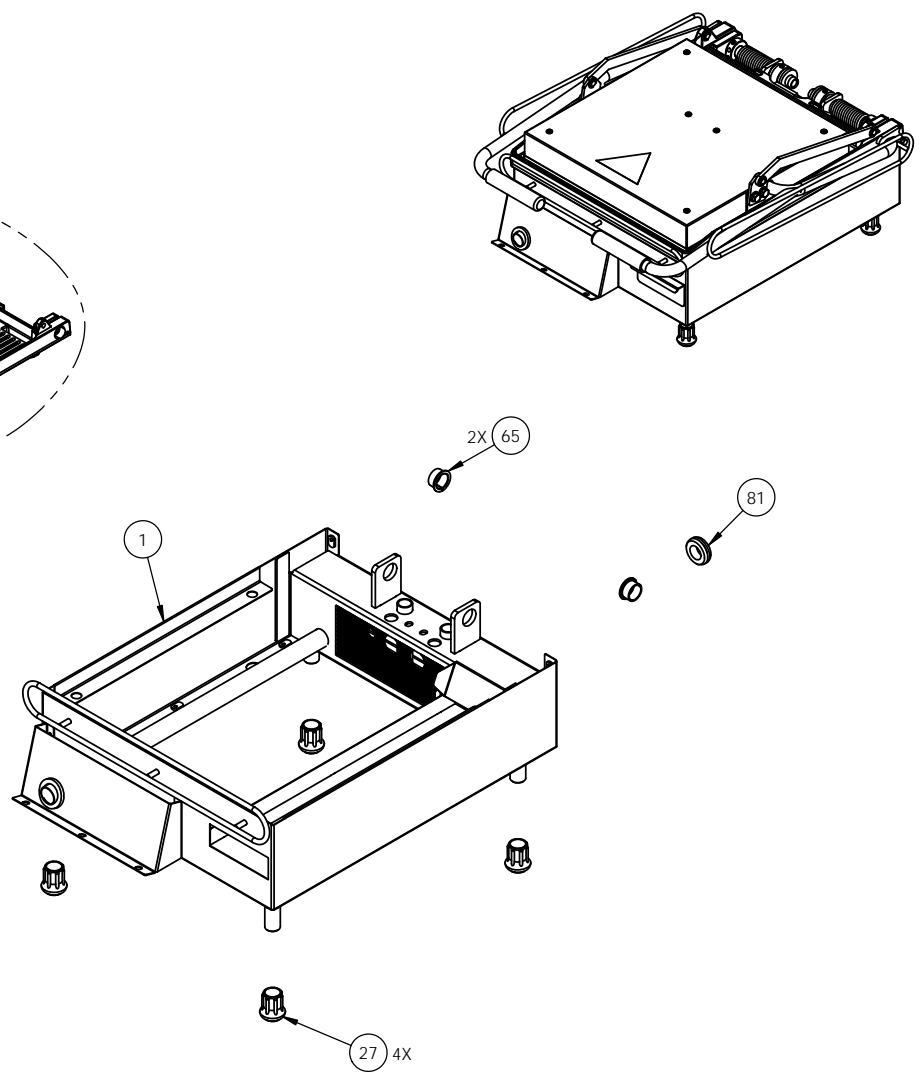
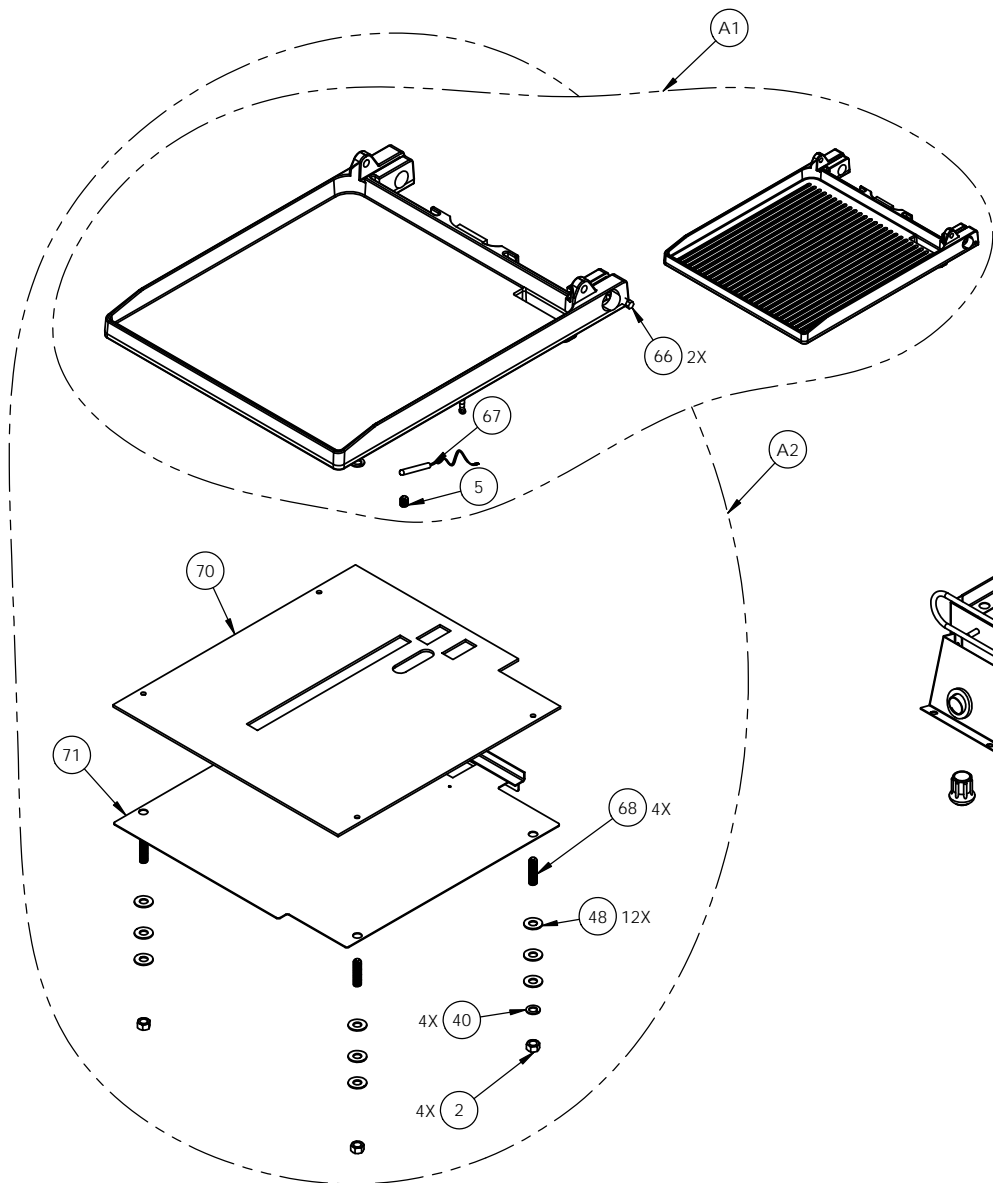
Now using the **ARROW** buttons you can set your desired time.

Once you have set the desired time simply press the **TEMP** button, the unit will display the new set-time.

***IMPORTANT NOTE:** When adjusting the time settings, The **RIGHT SIDE** time buttons control the left side, so the same time you set on the right will automatically be set to the left side accordingly. If you desire an additional set of times you can adjust the left side **AFTER** you have adjusted the right side without effecting the right side settings.

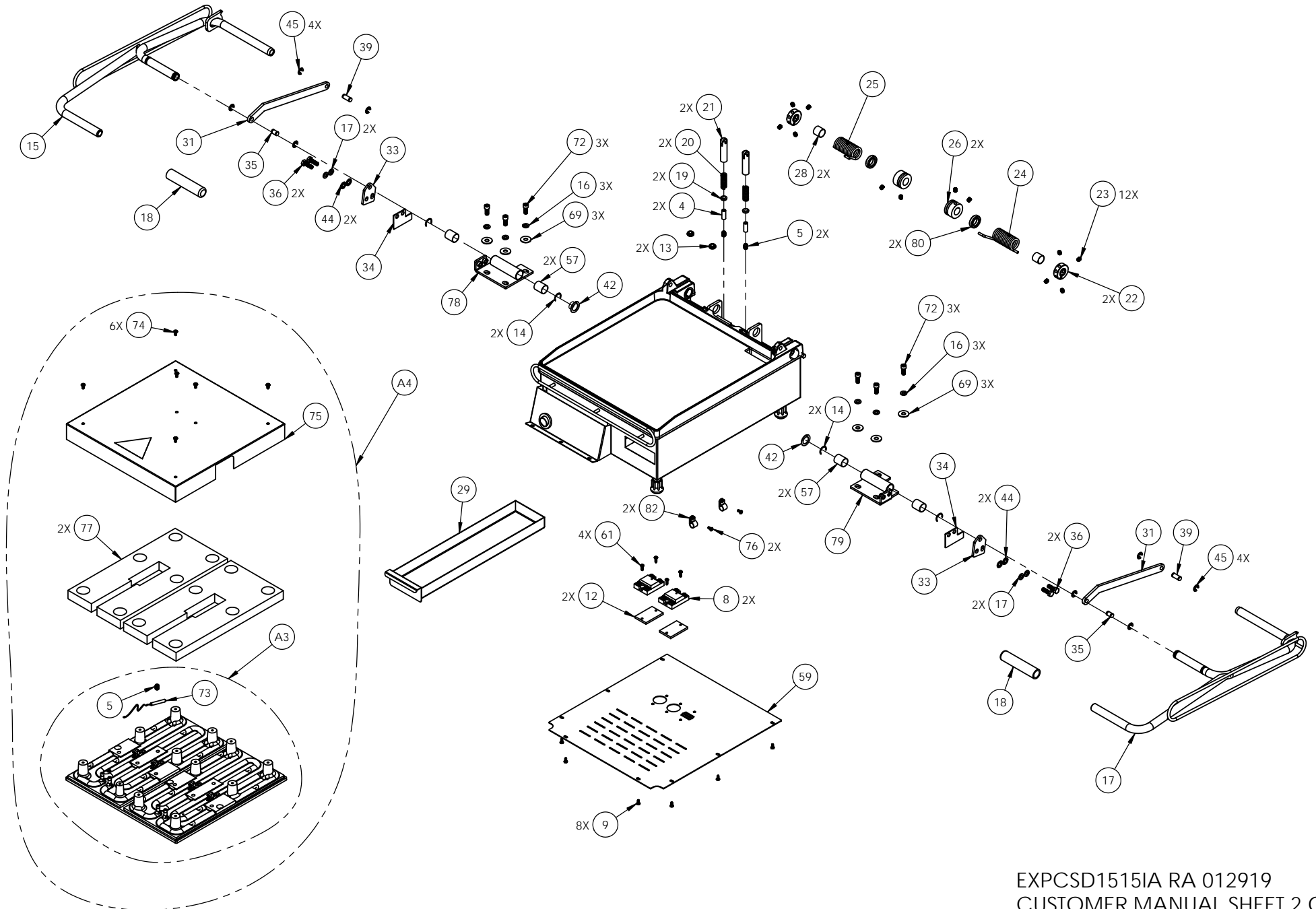
PROLUXE

CSD1515IA



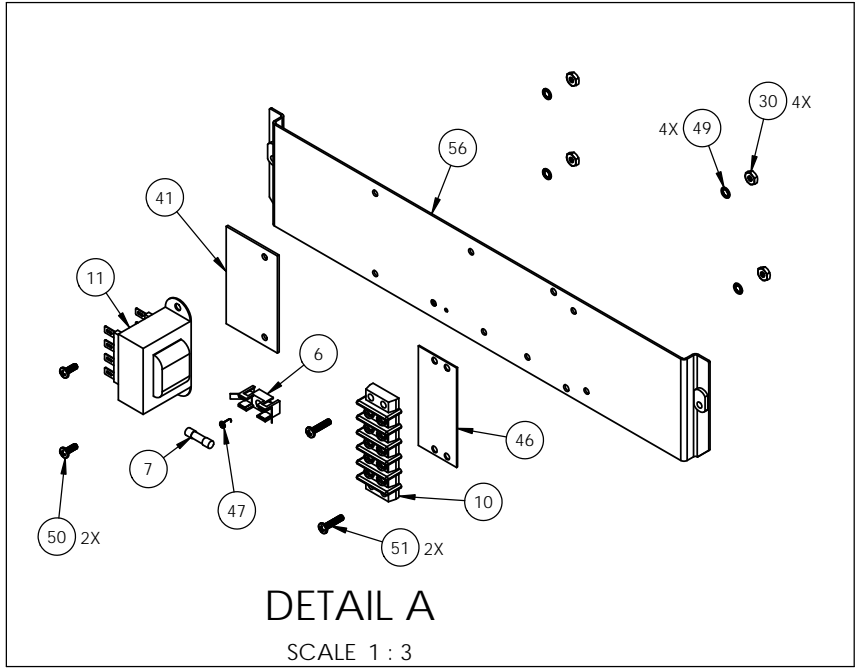
PROLUXE

CSD1515IA

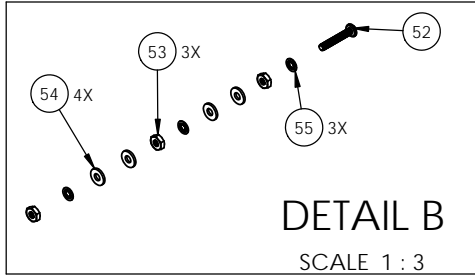
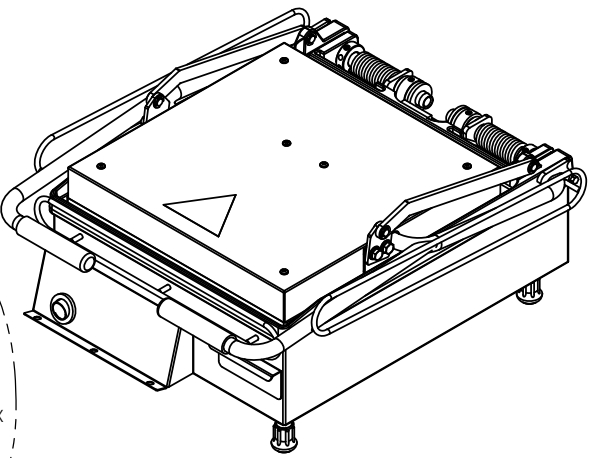
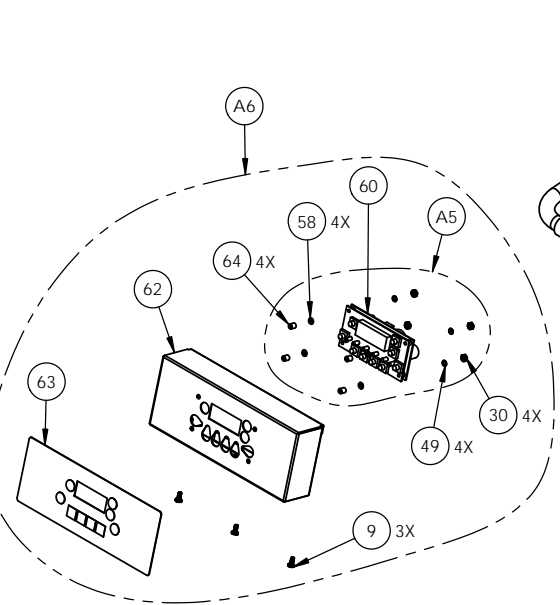
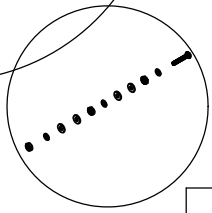
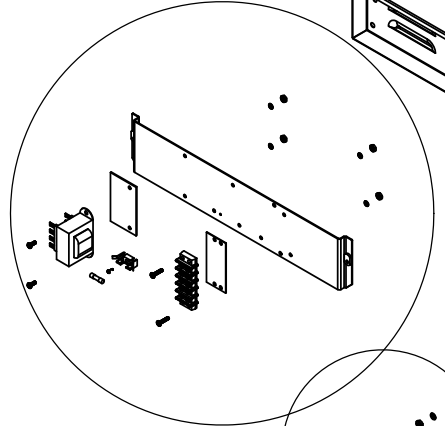
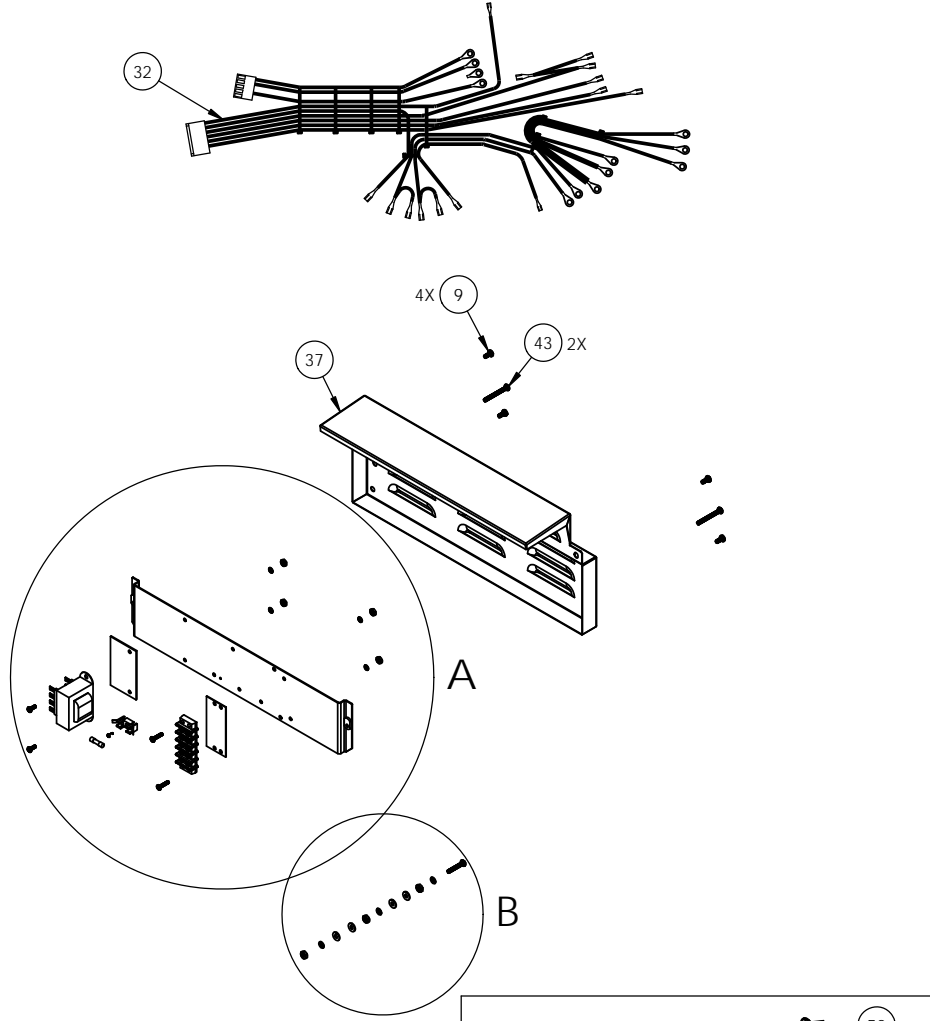


PROLUXE

CSD1515IA



DETAIL A
SCALE 1 : 3



DETAIL B
SCALE 1 : 3

PARTS LIST FOR MODEL CSD1515IA

ITEM #	DESCRIPTION	MODEL CSD1515IA 120V	MODEL CSD1515PIA 120V	QTY.
1	LOWER WRAP AROUND SHROUD ASSEMBLY	110115501	110115501	1
2	HEX NUT 3/8-16	NH3816	NH3816	4
3	STRAIN RELIEF	1106546468	1106546468	1
4	SCREW, SET 3/8-16 x 1	SST38161	SST38161	2
5	SCREW, SET 3/8-16 x 1/2	SST381612	SST381612	4
6	FUSE HOLDER 1 AMP	MPPF708	MPPF708	1
7	FUSE BUSS 1 AMP	MPPF701R	MPPF701R	1
8	SOLID STATE RELAY	PL2425	PL2425	2
9	SCREW, PAN HEAD PHILLIPS 8-32 x 3/8 SS	SP83238S	SP83238S	15
10	5 STAGE TERMINAL BLOCK	6015	6015	1
11	TRANSFORMER	11096975	11096975	1
12	SINK, HEAT, ALUMINUM PAD	11057322	11057322	2
13	GROMMET INSULATION 7/8 O.D. X 3/8 I.D	110115554	110115554	2
14	E-CLIP, RETAINING RING	LCC3478	LCC3478	4
15	HANDLE LEFT ASSEMBLY	110115522	110115522	1
16	WASHER, SPLIT LOCK 5/16	WL516	WL516	10
17	HANDLE RIGHT ASSEMBLY	110115521	110115521	1
18	HANDLE GRIP	110901168	110901168	2
19	TUBING PAD	110115531	110115531	2
20	SPRING, DETENT 1-1/2 LONG	110115555	110115555	2
21	PLUNGER ASSEMBLY	110115544	110115544	2
22	HANDLE SPRING ADJUSTING COLLAR	110115528	110115528	2
23	SCREW SET KNURLED CUP POINT 5/16-18 X 3/8	SST5161838KN	SST5161838KN	12
24	COUNTER BALANCE SPRING RIGHT HAND	1101023154R	1101023154R	1
25	COUNTER BALANCE SPRING LEFT HAND	1101023154L	1101023154L	1
26	COLLAR HOLDER	110115530	110115530	2
27	FEET, RUBBER 3/4	11016546469	11016546469	4
28	BUSHING TEFLON 3/4 LONG	110113441	110113441	2
29	GREASE TRAY	110115505	110115505	1
30	NUT, HEX 6-32	NH632	NH632	8
31	TOP LINK	110115508	110115508	2
32	WIRE HARNESS CSD1515R	11018636050	11018636050	1
33	UPPER LEVELING BRACKET	110115510	110115510	2
34	UPPERLEVELING SHIM	110115557	110115557	2
35	PIN, PIVOT FRONT	11017088865	11017088865	2
36	BOLT, HEX 5/16-18 X 1 SS	BH516181S	BH516181S	4
37	BACK COVER	110115562	110115562	1
38	POWER CORD	1101217174	1101217174	1
39	PIN PIVOT BACK	11017088866	11017088866	2
40	WASHER, SPLIT LOCK 3/8	WL38	WL38	4
41	TRANSFORMER INSULATION	1101159180	1101159180	1
42	SHIM, CLEVIS	11060421	11060421	2
43	SCREW, PAN HEAD, PHILLIPS 8-32 x 1-1/2 SS	SP832112S	SP832112S	2
44	WASHER, INTERNAL TOOTH LOCK 5/16	WLIT516	WLIT516	4
45	RETAINING RING	11017088867	11017088867	8
46	MARKER STRIP, #5	MS6015	MS6015	1
47	SCREW, PAN HEAD PHILLIPS 2-56 X 1/4	SP25614	SP25614	1
48	WASHER, SAE 3/8	WSAE38	WSAE38	12
49	WASHER, INTERNAL TOOTH LOCK #6	WLIT6	WLIT6	8
50	SCREW, PAN HEAD PHILLIPS 6-32 x 3/8	SP63238	SP63238	2
51	SCREW, PAN HEAD PHILLIPS 6-32 x 5/8	SP63258	SP63258	2
52	SCREW, PAN HEAD PHILLIPS 8-32 X 1	SP8321	SP8321	1
53	NUT, HEX 8-32	NH832	NH832	3
54	WASHER, SAE #8	WSAE8	WSAE8	4
55	WASHER, INTERNAL TOOTH LOCK #8	WLIT8	WLIT8	3
56	MOUNTING BRACKET ASSEMBLY	110115559	110115559	1
57	BUSHING, TEFLON, 3/4 ID x .875 x 1 LONG	110115541	110115541	4
58	WASHER, STEEL	311150019	311150019	4
59	BOTTOM COVER ASSEMBLY	110115570	110115570	1
60	DIGITAL CONTROL	110171433052	110171433052	1
61	SCREW, PAN HEAD PHILLIPS 8-32 x 1/2	SP83212	SP83212	4

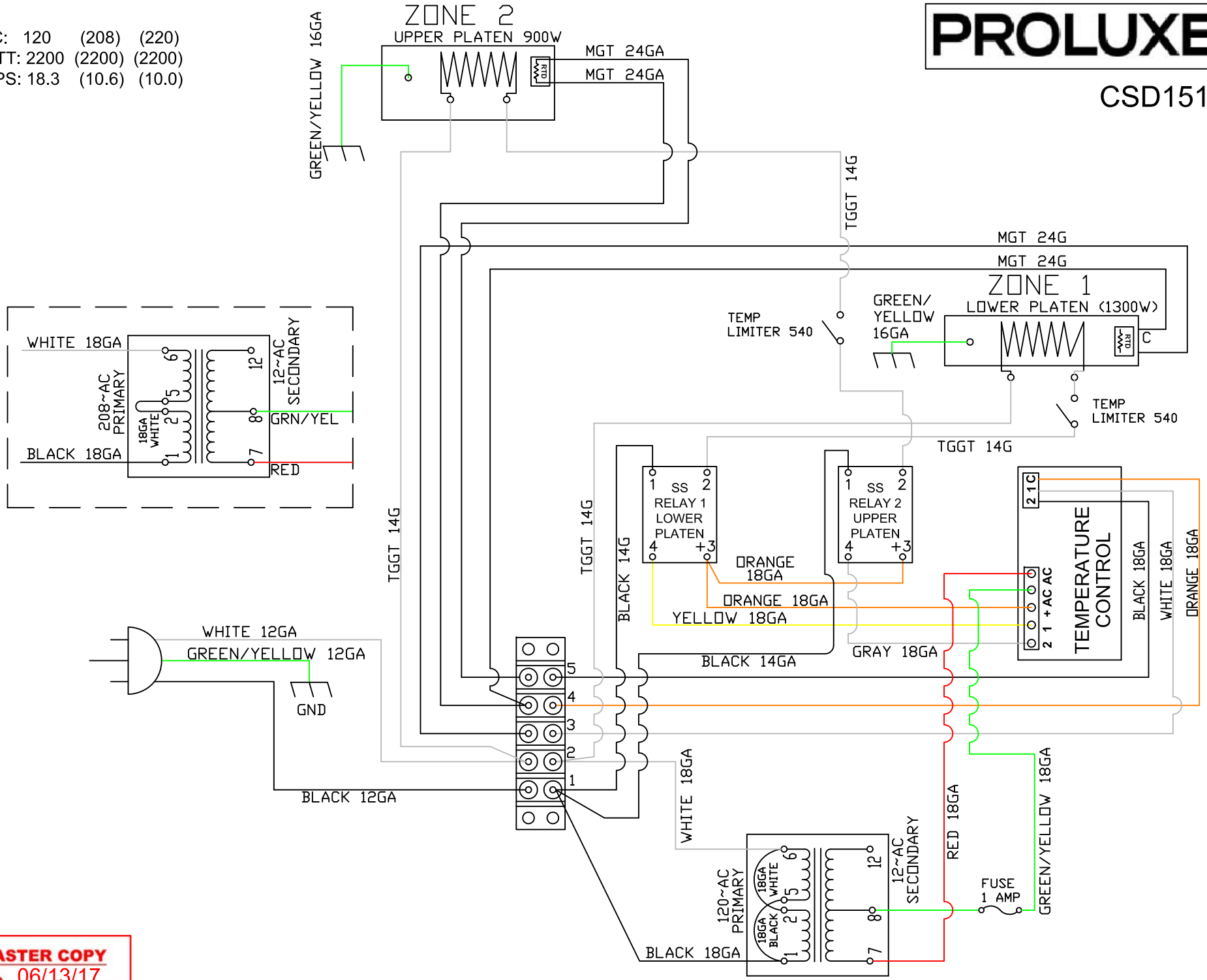
PARTS LIST FOR MODEL CSD1515IA

62	INSTRUMENT HOUSING ASSEMBLY	11017636011	11017636011	1
63	OVERLAY	OCSD1515B	OCSD1515B	1
64	NYLON SPACER 1/4 x .141 x 9/32	11090109	11090109	4
65	FLANGED BUSHING TEFLON 1/2 LONG	110115563	110115563	2
66	STOP, HEX PIN	11018344037	11018344037	2
67	RTD SENSOR 2000 OHM, BOTTOM	1108881102	1108881102	1
68	SCREW, SET 3/8-16 X 1-1/2	SST3816112	SST3816112	4
69	WASHER, CUT 5/16	WC516	WC516	6
70	LOWER PLATEN INSULATION	110115542	110115542	1
71	COVER, LOWER PLATEN ASSEMBLY	110115506	110115506	1
72	SCREW, SOCKET HEAD 5/16-18 x 3/4	SSH5161834	SSH5161834	6
73	RTD, TOP SENSOR	1108881101	1108881101	1
74	SCREW, PAN HEAD PHILLIPS 10-24 X 3/8 SS	SP102438S	SP102438S	6
75	UPPER SHROUD	110121721	110121721	1
76	SCREW, PAN HEAD PHILLIPS 8-32 x 3/8	SP83238	SP83238	2
77	INSULATION UPPER PLATEN	110888251	110888251	2
78	CLEVIS ASSEMBLY LEFT HAND	110115503	110115503	1
79	CLEVIS ASSEMBLY RIGHT HAND	110115504	110115504	1
80	SPACER	11013283	11013283	2
81	GROMMET, RUBBER	110103919	110103919	1
82	CLAMP, CABLE 5/16" BUNDLE	CC516	CC516	2
83	MANUAL CSD1515	MCSD1515	MCSD1515	1
A1	LOWER PLATEN WITH WIRING	1101008002120K	1101155232120K	1
A2	LOWER PLATEN ASSEMBLY	1101008002120AK	1101155232120AK	1
A3	UPPER PLATEN WITH WIRING	1101217201	1101217203P	1
A4	UPPER PLATEN ASSEMBLY	1101217101	1101217103P	1
A5	KITTED, CONTROLLER TEMPERATURE	110171433052K	110171433052K	1
A6	KITTED, HOUSING/CONTROLLER ASSEMBLY	11017143352K	11017143352K	1

VAC: 120 (208) (220)
 WATT: 2200 (2200) (2200)
 AMPS: 18.3 (10.6) (10.0)

PROLUXE

CSD1515



MASTER COPY
 Date 06/13/17

Warranty & Return Policy

Proluxe warrants all products manufactured by it against defects in workmanship or materials from the date of purchase for a period of (1) year on parts and **labor**. **This warranty applies to only equipment purchased and used in the United States.** Warranty period shall begin when equipment ships. Warranty travel shall only be covered for 60 miles. Limited lifetime warranty on heating elements.

ALL WARRANTY SERVICE CALLS MUST BE APPROVED BY PROLUXE. IF THIS PROCEDURE IS NOT FOLLOWED, WARRANTY SERVICE WILL NOT BE COVERED. WARRANTY SERVICE WILL BE PAID ON STRAIGHT TIME, OVERTIME WILL NOT BE COVERED.

Exclusions:

- 1. WOOD / GAS FIRED OVENS:** PROLUXE warranty applies to the main body of the oven being steel / refractory and insulation shall be free from defects in materials and workmanship for a period of four years from the date of purchase. The gas equipment shall be free from defects in materials and workmanship for a period of one (1) year from the date of purchase. Lifetime warranty against cracks on oven floor.
- 2. Air compressors are excluded from this warranty,** but PROLUXE may act as a warranty expeditor in certain instances regarding these compressors. The air compressor manufacturer provides a limited warranty and a copy of this warranty is furnished with all compressors sold by PROLUXE. For prompt handling of compressor warranty claims the instructions of the compressor manufacturer must be adhered to.
- 3. Equipment built to special order as well as accessories** cannot be canceled and are not returnable unless defective within the terms of this warranty.
- 4. In no event shall PROLUXE be liable for consequential damages arising out of the failure of any of its products if operated improperly or caused by normal wear or damage by operator abuse.**
- 5. BC2325 pedestal warranty disclaimer:** Pedestals shall only be covered under warranty if they have been cleaned using the factory approved cleaning method. cracked or damaged pedestals must be inspected by the factory before warranty is authorized.
- 6. Limited lifetime warranty on heating elements:** If replacement is needed, Proluxe will send the new part at no charge but **labor** will not be covered unless the unit is still under the 1 year manufacture warranty.

Returned Merchandise Policy:

Should it become necessary to return any of the company's products, the following instructions must be adhered to: First, contact our customer service department for approval and a return authorization number. *Please have the serial number of your item available at that time.* All merchandise must be shipped *freight prepaid* by customer or service agency. Subject to the inspection of the product by the company, a restocking charge of 20% of the Net purchased price paid to PROLUXE will be assessed. Merchandise may not be returned for credit without *prior written approval* of PROLUXE. Collect shipments *will not* be accepted. No returns after 60 days of original shipment date on machines. Purchased parts may not be returned after 30 days.

If upon inspection by PROLUXE or its authorized agent it is determined the equipment has not been used in an appropriate manner, has been modified, or has not been properly maintained, or has been subject to misuse, misapplication, neglect, abuse, accident, unauthorized modification, damage during transit, delivery, fire, flood, act or war, riot or act of God, then this warranty shall be deemed null and void.

Terms & Conditions:

1. Prices indicated in the PRICE LIST are suggested retail prices and are shown in U.S. DOLLARS.
2. Terms of Payment: 1% 10 days, NET 30 days.
3. **NEW ACCOUNTS:** Satisfactory credit information must be provided before open account status can be extended. Unless agreed otherwise, all shipments will be made C.O.D., CASH IN ADVANCE.
4. **PRICING:** Prices, specifications, model numbers, capacities and accessories are subject to change without notice.
5. **FREIGHT / ROUTING:** Method of shipment will be determined by PROLUXE unless otherwise advised by PURCHASER.
6. **DAMAGED CLAIMS:** All merchandise shipped at purchaser's risk. Inspection must be made by purchaser at time goods are received. If goods are damaged, the PURCHASER shall request that the agent of the transportation company make a written notation on the proper shipping documents immediately and then file a claim for damage. **GOODS DAMAGED IN SHIPMENT ARE NOT RETURNABLE.**
7. **RETURNS:** Machines may not be returned after 60 days. Purchased parts may not be returned after 30 days. A restocking fee of 20% will be assessed on non-warranty returns.
8. **TAXES:** Prices indicated herein DO NOT include State, Federal, Local or foreign taxes or duties, nor do they include fees, permits, insurance or other levies, all of which are the responsibility of the purchaser.
9. All orders are subject to acceptance by PROLUXE.
10. Possession of this price list shall not be considered an offer to sell.