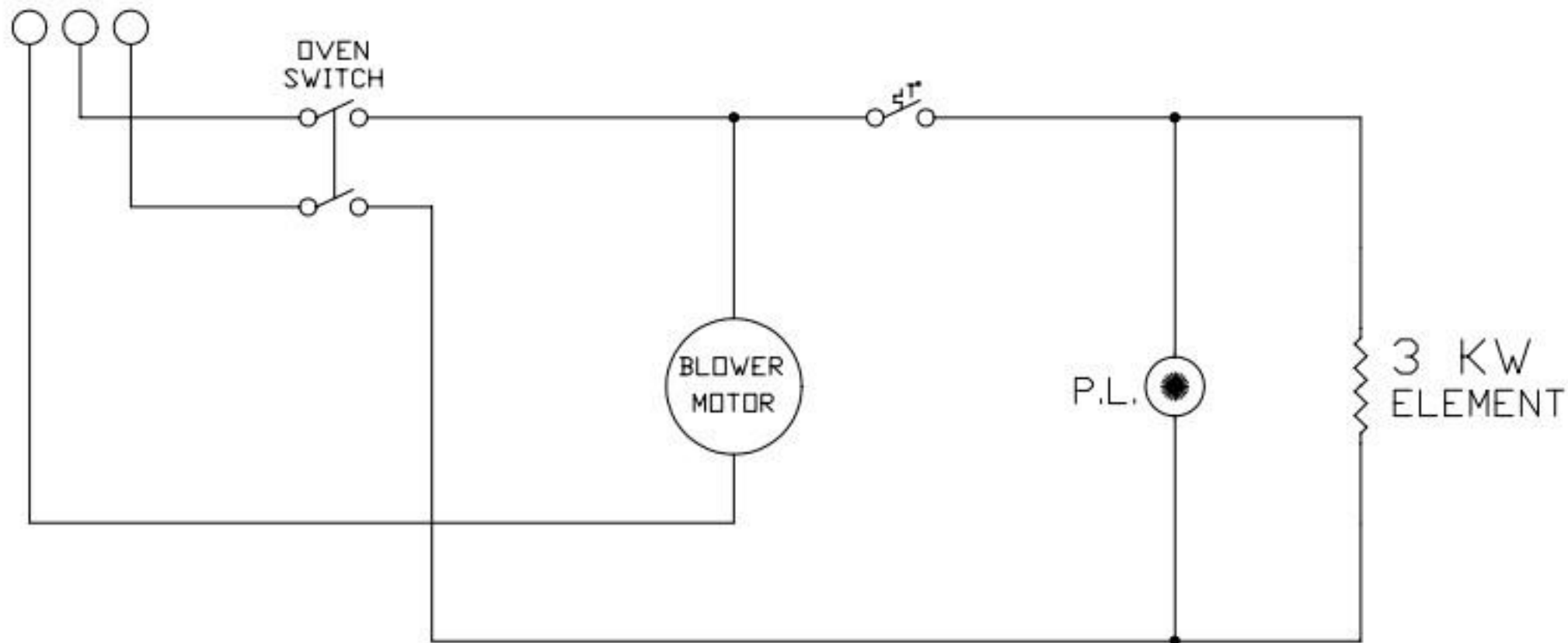
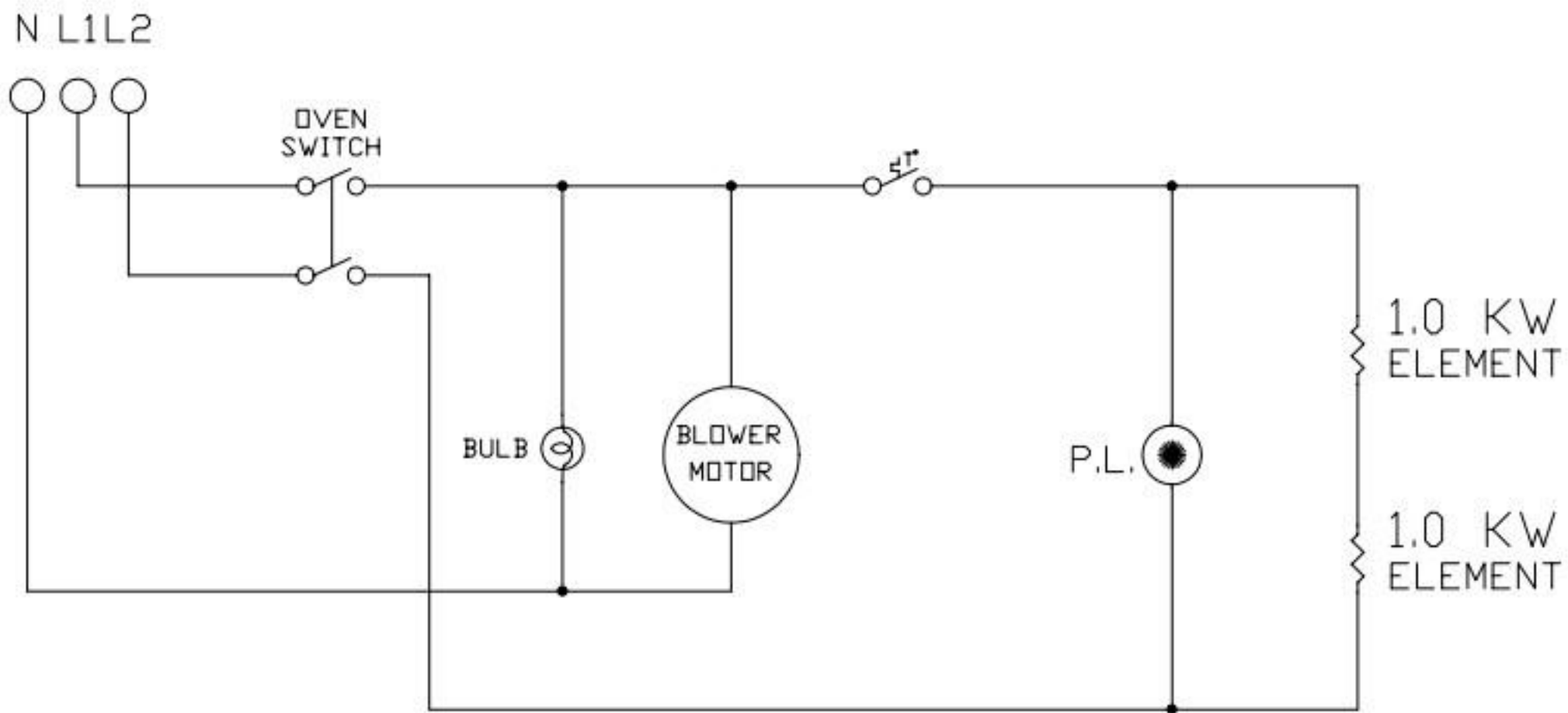
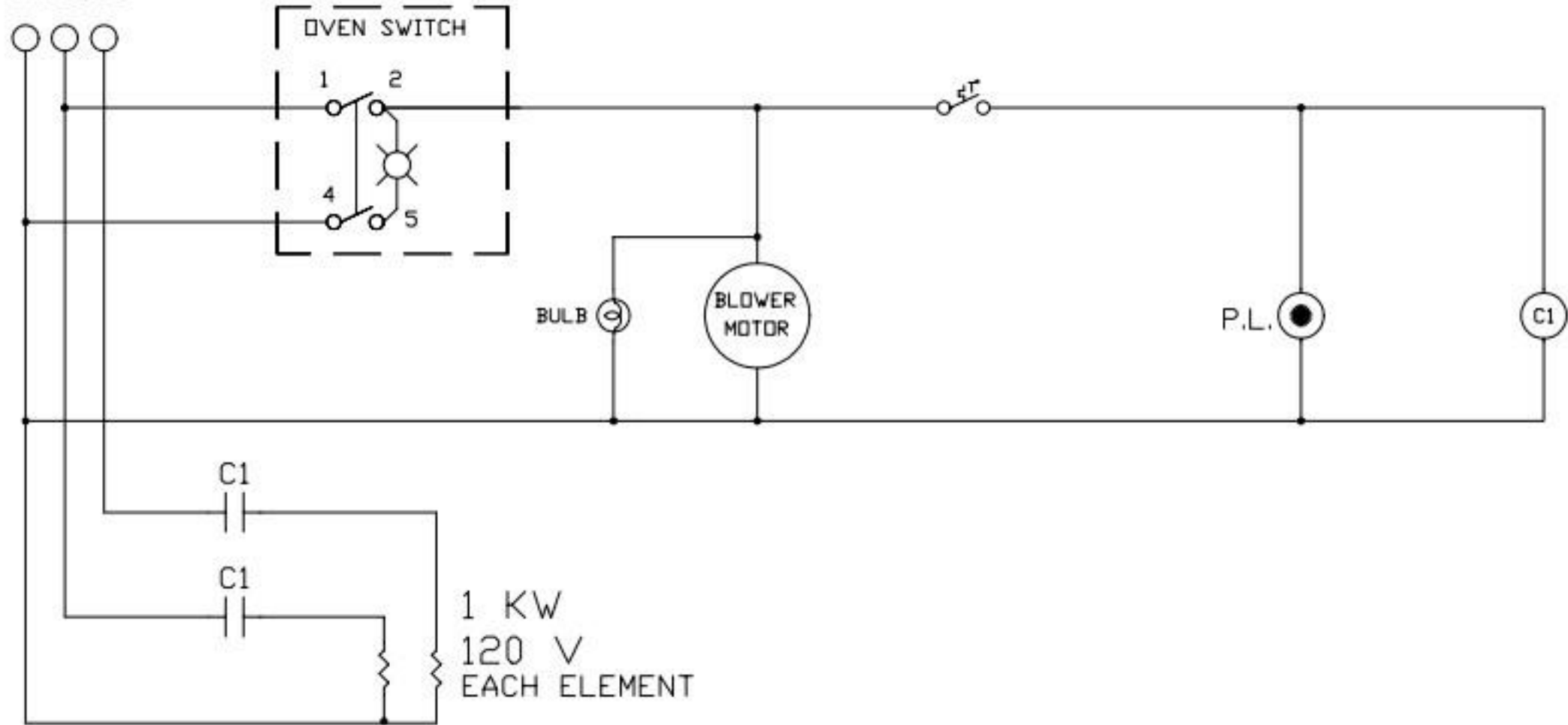


N L1L2

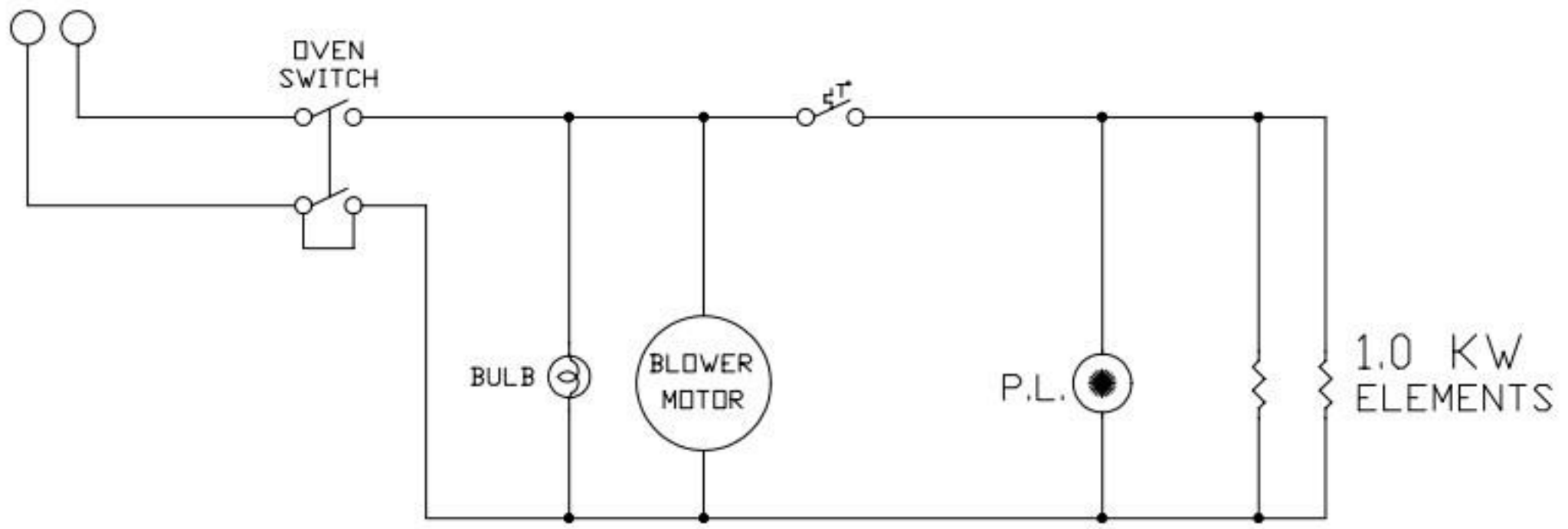


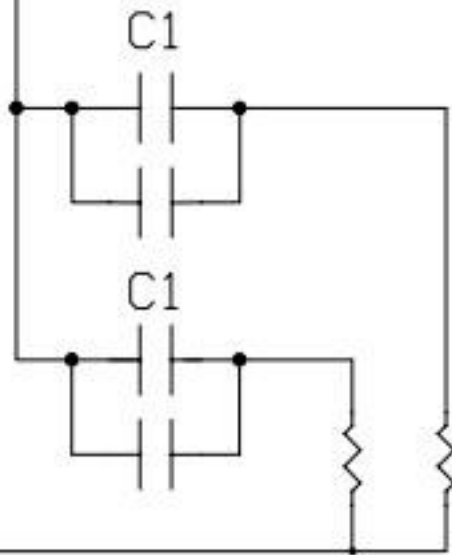
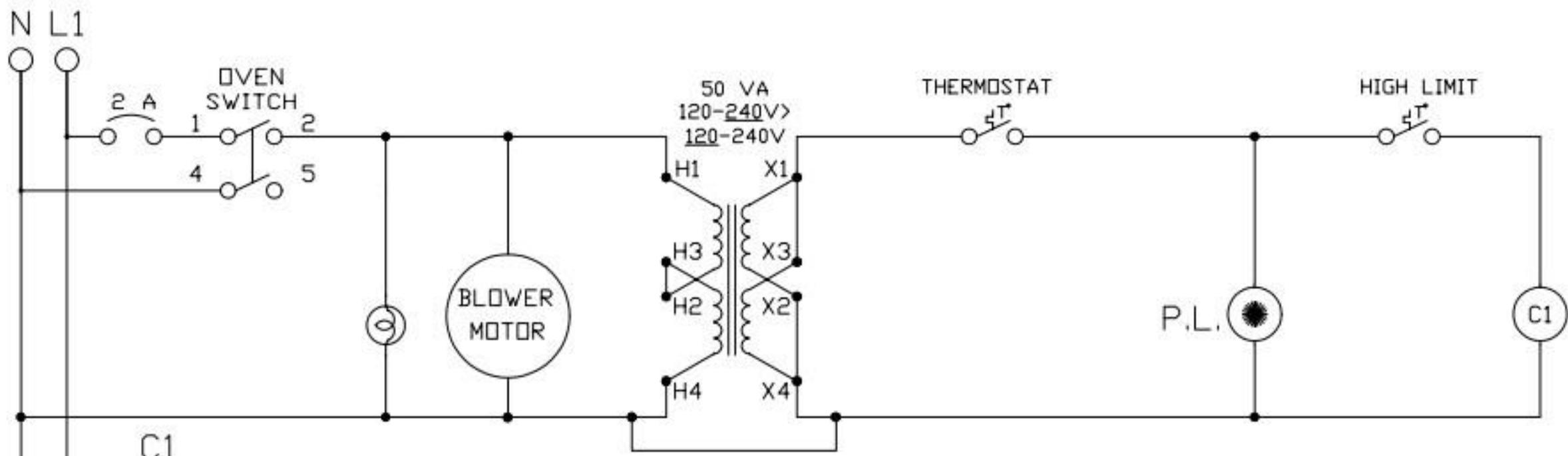


N L1L2



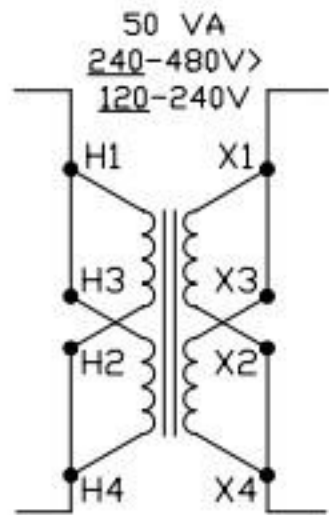
N L1






2.5 KW/240 V
2.1KW/220 V
EACH ELEMENT

MOTOR BLOWER
(CCW)
LINE: BLACK
INS : ORANGE-WHITE
LINE: RED-YELLOW



ALTERNATE TRANSFORMER

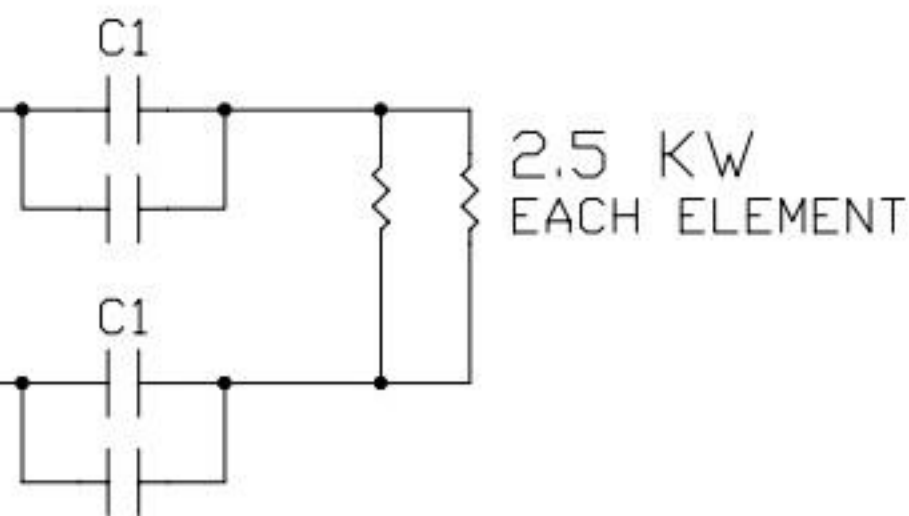
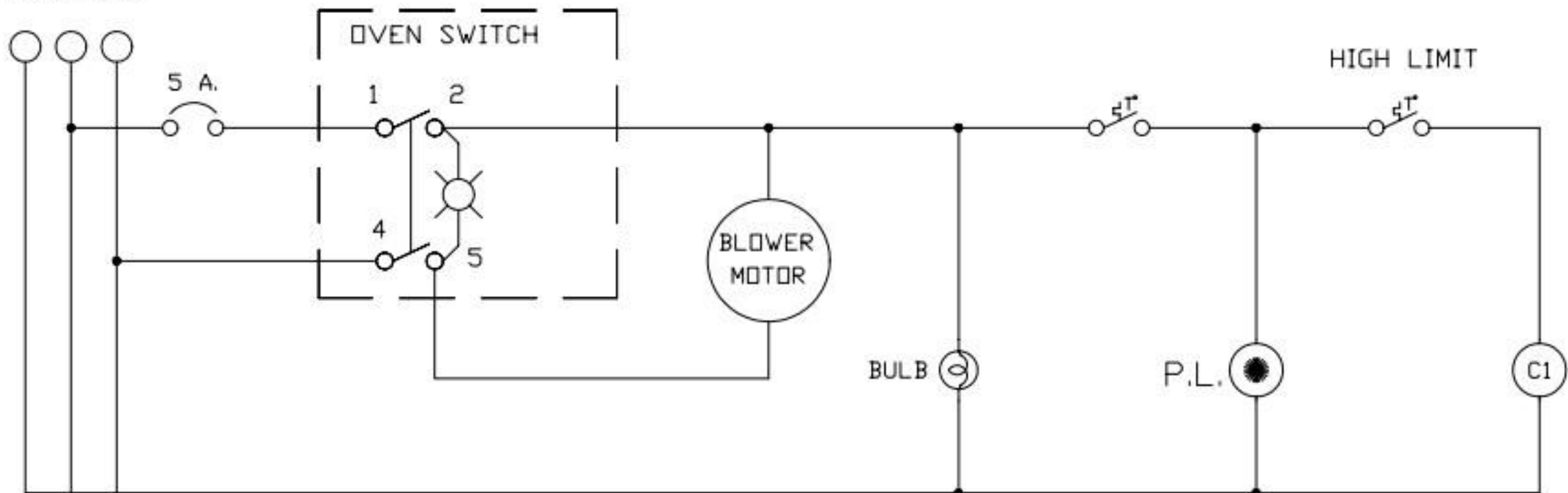
N	L1		
20.5 AMPS	20.5 AMPS		
TOTAL POWER: 4.5 KW			
220V. 1Ph. 50 Hz 			

EQUIPEMENT
DOYON

JA3 220 VOLTS 1 PHASE 50 Hz

DATE 18-01-02	DES. M.FAUCHER	REV.# 4
SER. 1020	MODEL MOTOR 220 V	NO. JA3_1R

N L1L2



MOTOR BLOWER
(CCW)
LINE: BLACK
INS : ORANGE-WHITE
LINE: RED-YELLOW

EQUIPEMENT