



KDP SERIES INSTALLATION MANUAL
UNIT SERIAL NUMBER _____

Table of Contents

| | |
|--|----|
| INTRODUCTION | 3 |
| ATTENTION | 3 |
| CONSTRUCTION | 3 |
| SHIPPING | 3 |
| IMPORTANT-RECEPTION OF THE MERCHANDISE | 3 |
| INSTALLATION | 4 |
| IMPORTANT INSTALLATION AND SERVICE | 4 |
| FOR YOUR SAFETY | 4 |
| IN GENERAL | 4 |
| INSTALLERS | 4 |
| TO THE ELECTRICIAN | 4 |
| TO THE PLUMBER | 4 |
| DISTANCES TO RESPECT | 4 |
| ASSEMBLY | 5 |
| Foreword | 5 |
| TOOLS REQUIRED | 5 |
| KDP SERIES CONFIGURATION DIAGRAMS | 6 |
| WALL PANEL CONFIGURATIONS | 6 |
| TOP PANEL CONFIGURATIONS | 7 |
| ELECTRICAL PANEL CONFIGURATIONS | 8 |
| REFRIGERATION MODULE PLACEMENT | 8 |
| ERECTING WALLS | 10 |
| INSTALLING CORNER BRACKETS | 13 |
| INSTALLING TOPS | 12 |
| INSTALLING ELECTRICAL PANELS | 13 |
| INSTALLING REFRIGERATION MODULES (RETARDER MODELS) | 15 |
| INSTALLING HEATERS | 16 |
| INSTALLING FANS | 18 |
| INSTALLING HUMIDY SYSTEM | 19 |
| INSTALLING HUMIDY SYSTEM CONT. | 19 |
| INSTALLING DOORS | 21 |
| INSTALLING FACADES | 22 |
| FINAL INSPECTION | 23 |
| OPERATION OF THE PROOFER | 24 |
| PROOFER MODE | 25 |
| RETARDING MODE | 26 |
| AUTOMATIC PROOFING/RETARDING MODE SET UP | 27 |
| REAL TIME CLOCK SETUP | 28 |
| MAINTENANCE AND CLEANING | 29 |

INTRODUCTION

THE MANUFACTURER SUGGESTS TO READ THIS MANUAL CAREFULLY.

This equipment is manufactured with finest quality material by experienced technicians. Proper installation and maintenance will guarantee a reliable service for years to come.

A nameplate fixed to the side of the proofer specifies the serial number, model number, number of phase, amperage, voltage and frequency.

ATTENTION

DOYON is not responsible for damages to the property or the equipment caused by personnel who is not certified by known organizations. The customer is responsible for finding qualified technicians in electricity and plumbing for the installation of the oven.

CONSTRUCTION

You just bought the most advanced proofer in the world, "DOYON" technology at its best. This proofer is manufactured using the highest quality components and material.

DOYON equipment is designed with parts that are easy to find.

SHIPPING

For your safety, this equipment has been verified by qualified technicians and carefully crated before shipment. The freight company assumes full responsibility concerning the delivery in good condition of the equipment in accepting to transport it.

IMPORTANT-RECEPTION OF THE MERCHANDISE

Take care to verify that the received equipment is not damaged before signing the delivery receipt. If a damage or a lost part is noticed, write it clearly on the receipt. If it is noticed after the carrier has left, contact immediately the freight company in order that they do their inspection.

We do not assume the responsibility for damages or losses that may occur during transportation.

INSTALLATION

IMPORTANT INSTALLATION AND SERVICE

Installation and service must be done by specialized technicians. Contact a certified electrician and plumber for set up.

Furthermore, assembly of the KDP series proofer requires two people to assembly the unit.

FOR YOUR SAFETY

DO NOT STORE OR USE GASOLINE OR OTHER FLAMMABLE VAPORS AND LIQUIDS IN THE VICINITY OF THIS OR ANY APPLIANCE.

IN GENERAL

Take off the packaging material with care. Take off all the material used for packing and accessories.

INSTALLERS

TO THE ELECTRICIAN

Electrical supply installation must be in accordance with the electrical rating on the nameplate. The proofer must be connected to the utility and electrically grounded in conformity to the effective local regulations. If these are not established, the oven must be connected according to the Canadian Electrical Code (CSA-C22.1-XX) or National Electrical Code (NFPA 70-XX). Refer to last edition year for XX

TO THE PLUMBER

IMPORTANT: THIS UNIT NEEDS TO BE INSTALLED WITH ADEQUATE BACKFLOW PROTECTION TO COMPLY WITH APPLICABLE FEDERAL, STATE AND LOCAL CODES.

IMPORTANT: THIS UNIT REQUIRES A SCREEN OF AT LEAST 100 MESH TO BE INSTALLED IMMEDIATELY UPSTREAM OF ALL CHECK VALVE TYPE BACKFLOW PREVENTERS USED FOR WATER SUPPLY PROTECTION. THE SCREEN SHALL BE ACCESSIBLE AND REMOVABLE FOR CLEANING OR REPLACEMENT.

This equipment is to be installed to comply with the applicable federal, state or local plumbing codes.

Connect the humidity system (1/4 tubing) to the cold water distribution network. We highly recommend to use a water softener to eliminate minerals in the water. We suggest you to use CUNO # CFS6135 (Doyon part number [PLF240](#)).

DISTANCES TO RESPECT

- 10' ceiling height required for proper airflow and service access.
- Back and sides: 1'' clearance.
- Floor: level surface within 1/8'' per foot for proper installation. Slope should not exceed 3/4'' in all directions.

ASSEMBLY

Foreword

Our proofer is constructed of modular panels that interlock together allowing for quick construction. It is important to note that when any foam core panels are attached to each other that the locks are firmly engaged into the other panel.

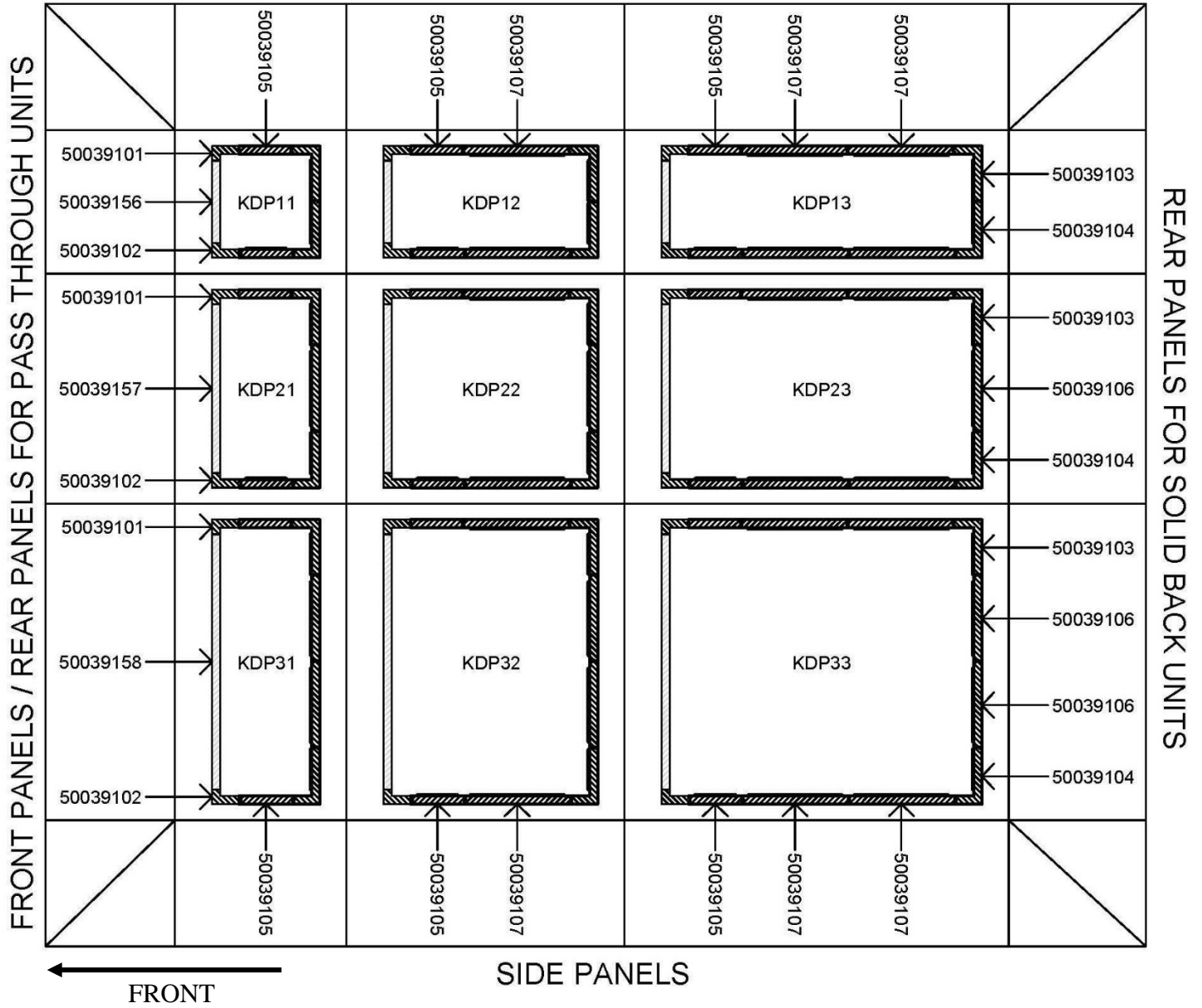
TOOLS REQUIRED

- CAULK GUN
- 5/16 ALLEN WRENCH
- 3/16 ALLEN WRENCH
- LEVELS
- STUBBY PHILIP SCREW DRIVER
- LONG #2 PHILIPS SCREWDRIVER
- LONG #3 PHILIPS SCREWDRIVER
- 5/16 SOCKET/DRIVER
- 7/16 SOCKET/DRIVER
- LOCKING PLIERS
- ADJUSTABLE WRENCH
- ELECTRIC DRILL
- FISH TAPE

KDP SERIES CONFIGURATION DIAGRAMS

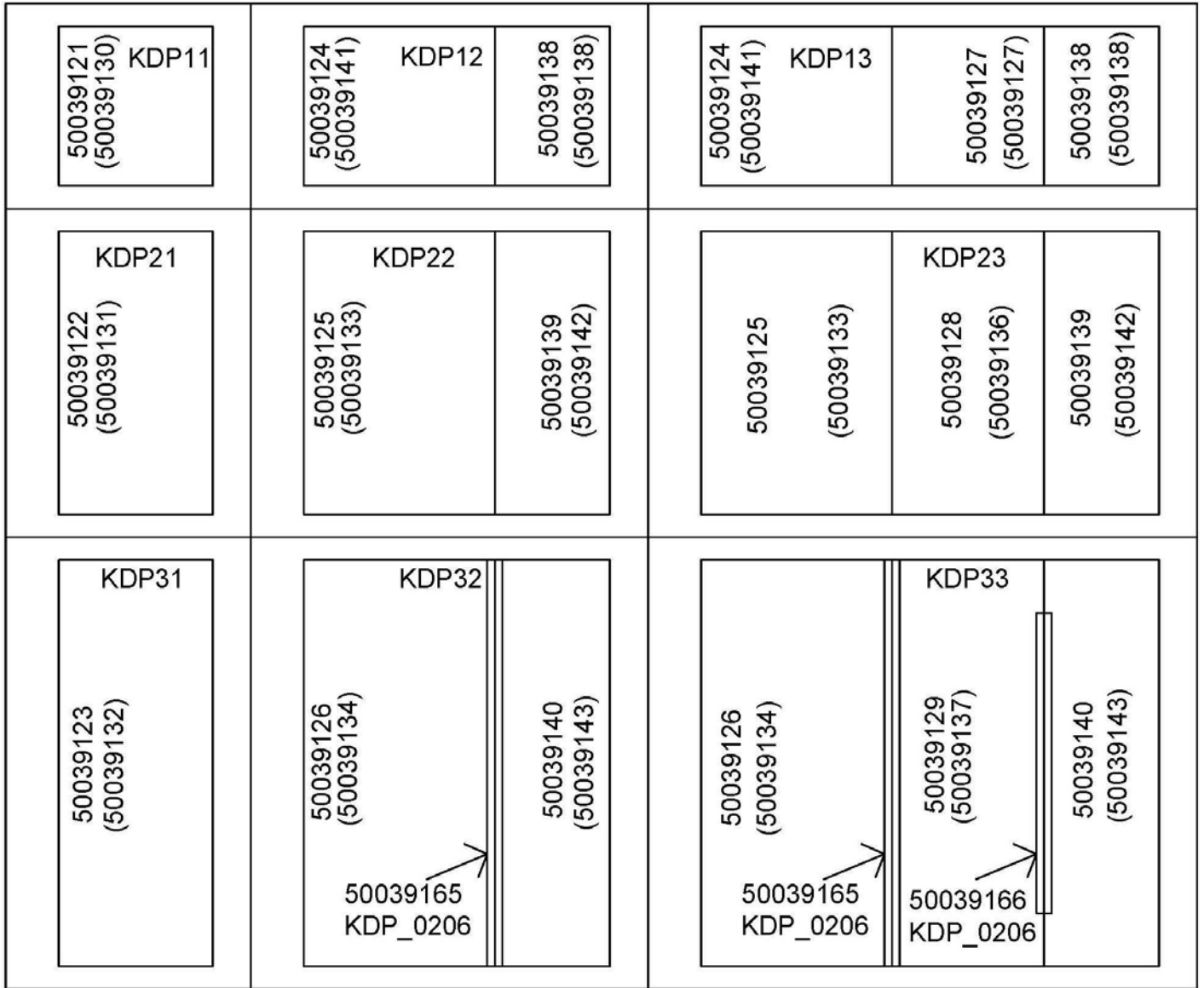
WALL PANEL CONFIGURATIONS

SIDE PANELS



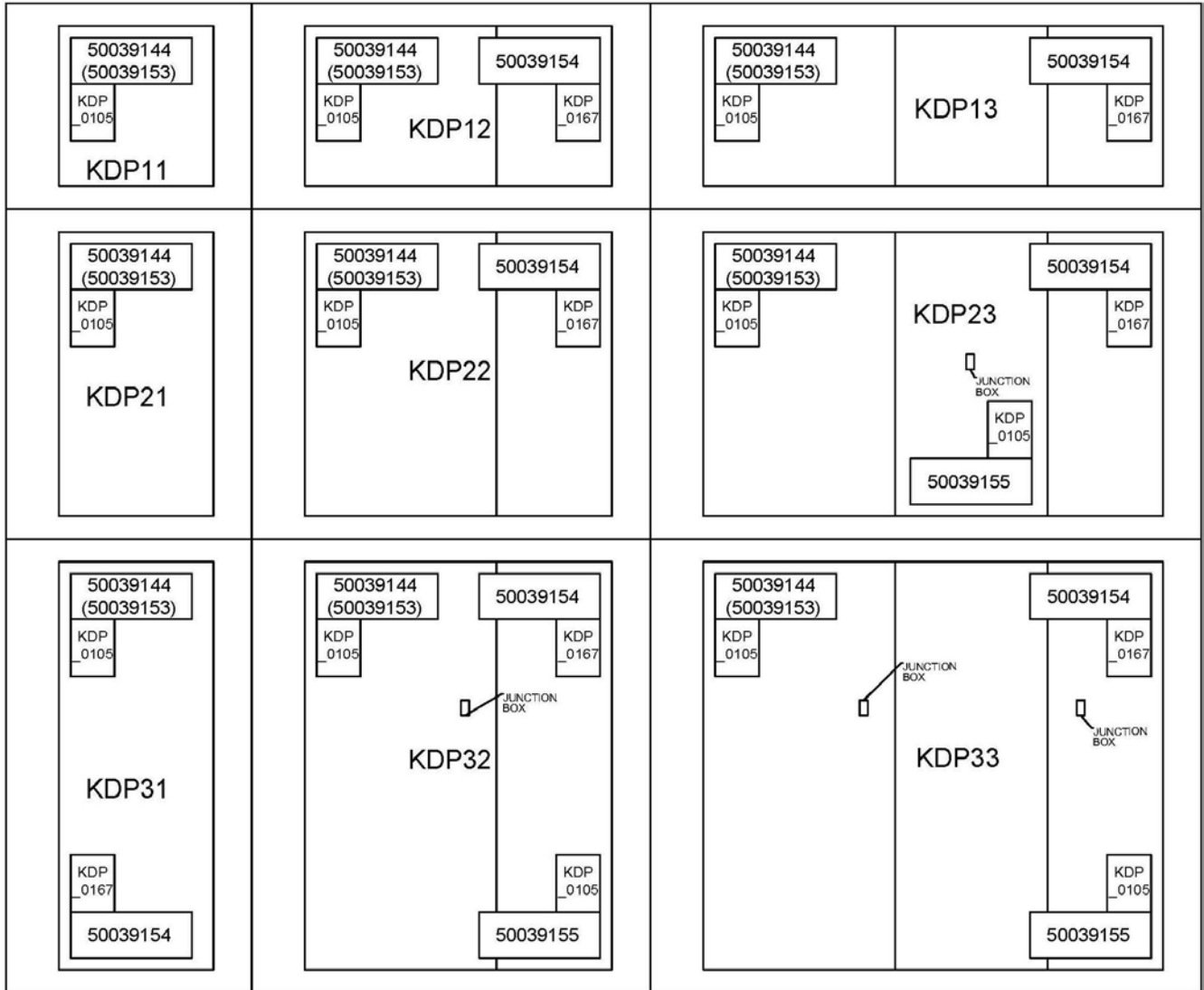
TOP PANEL CONFIGURATIONS

PANELS FOR RETARDER UNIT ARE IN PARENTHESIS



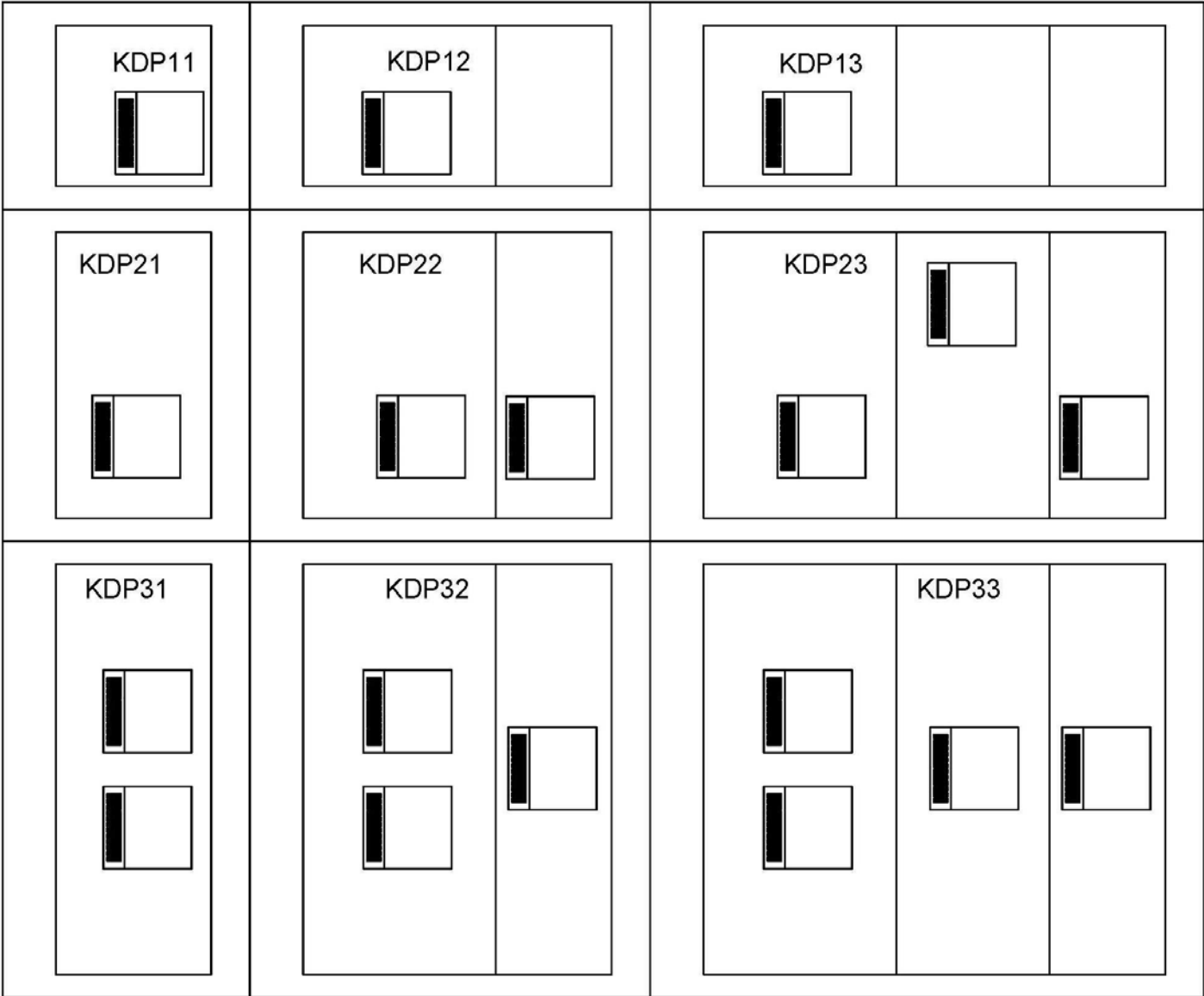
← FRONT

ELECTRICAL PANEL CONFIGURATIONS



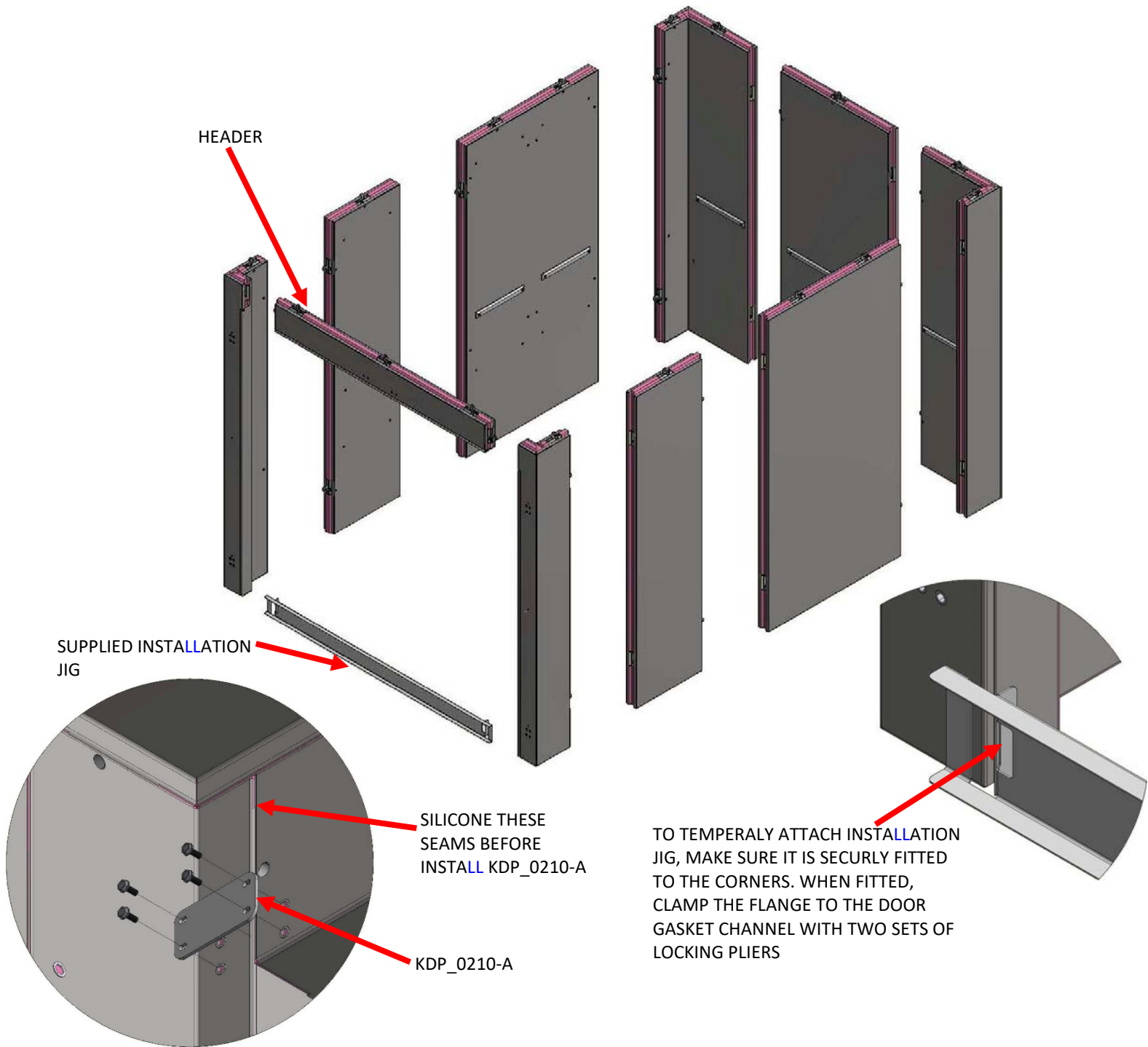
← FRONT

REFRIGERATION MODULE PLACEMENT



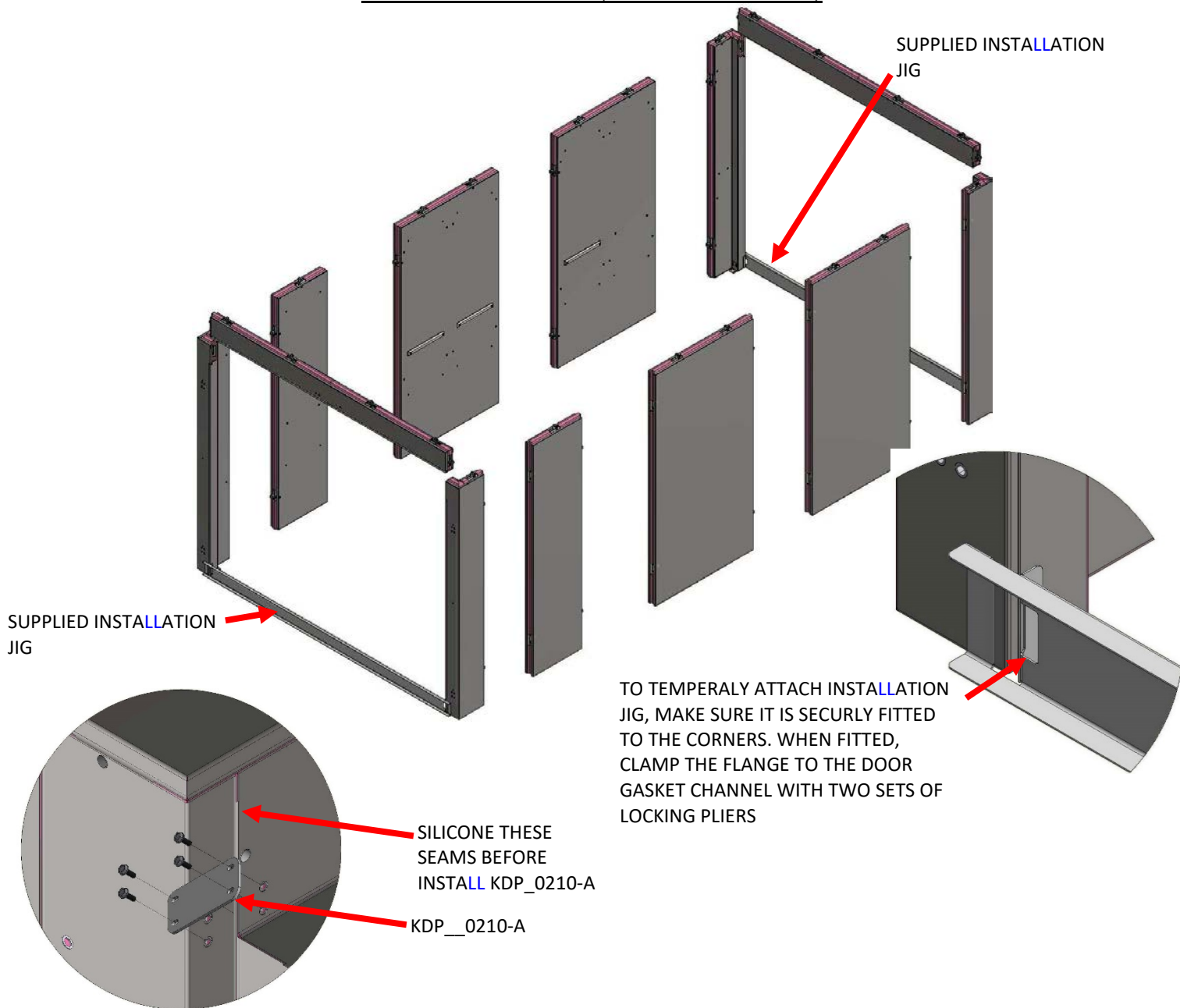
← FRONT

ERECTING WALLS (NON PASS THRU UNIT)



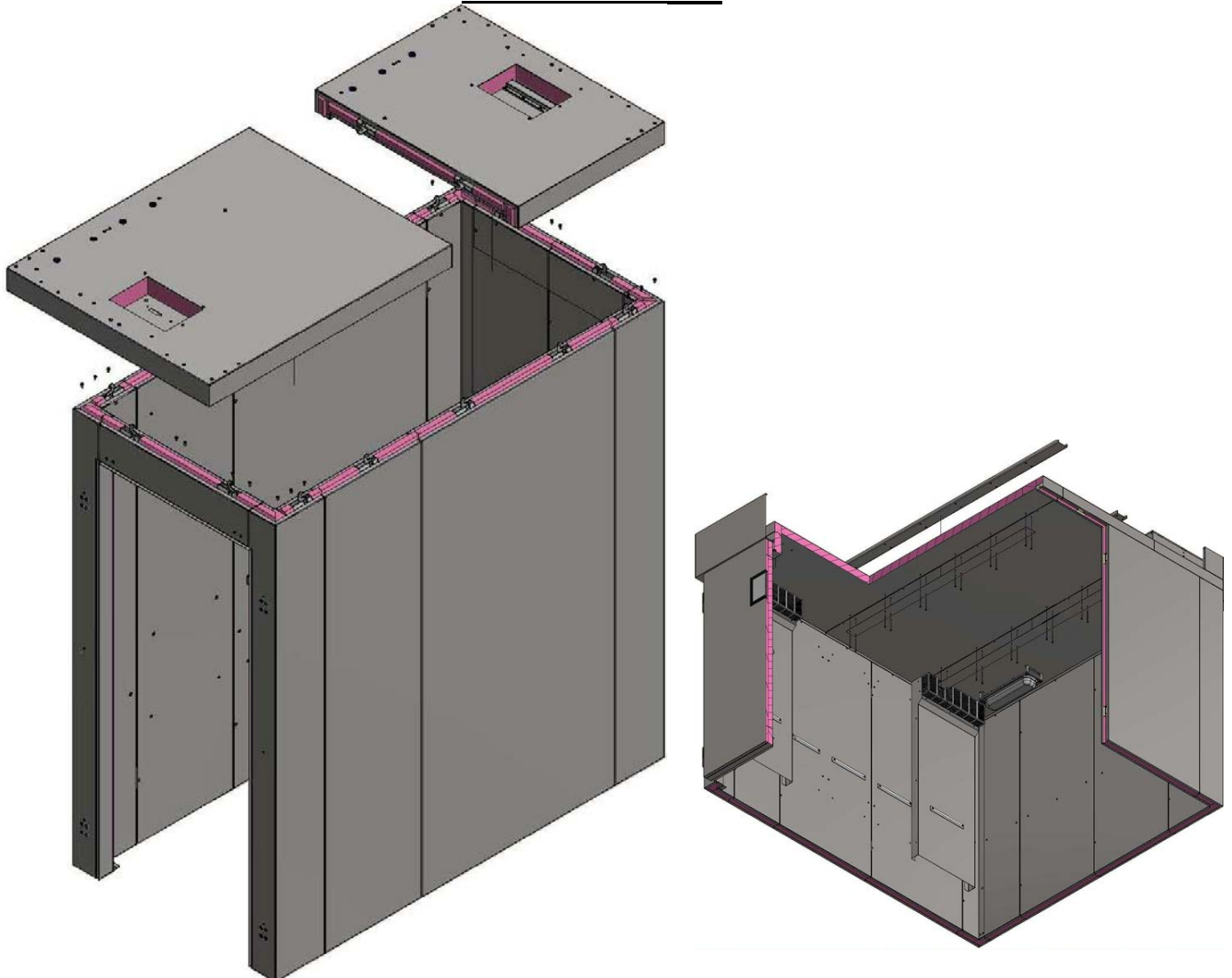
- WHILE REFERRING TO THE WALL PANEL CONFIGURATIONS DIAGRAM, ERECT THE REAR WALL PANELS FIRST AND LOCK THEM TOGETHER USING A 5/16 HEX WRENCH TO ROTATE THE LOCKS UNTIL THE LOCK ARE ENGAGED.
- AFTER THE REAR PANELS ARE LOCKED, CONTINUE ATTACHING/LOCKING PANELS TILL ALL WALL PANELS ARE ATTACHED.
- AFTER INSTALLING THE HEADER, INSTALL TWO REINFORCEMENT BRACKETS, USING FOUR 10-32 HEX HEAD SCREWS EACH, INSIDE OF THE UNIT WHERE THE HEADER AND CORNERS MEET
- WHEN FINISHED ERECTING PANELS, ATTACH INSTALLATION JIG TO THE FRONT CORNERS

ERECTING WALLS (PASS THRU UNIT)



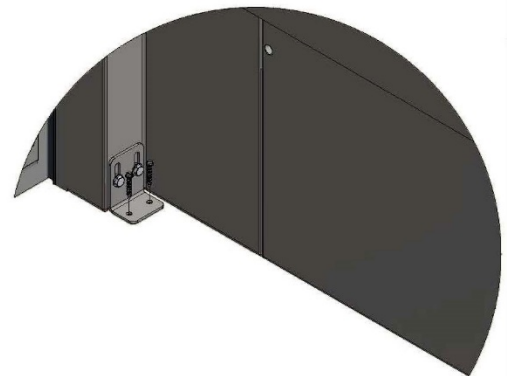
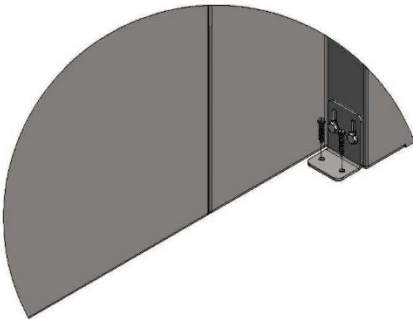
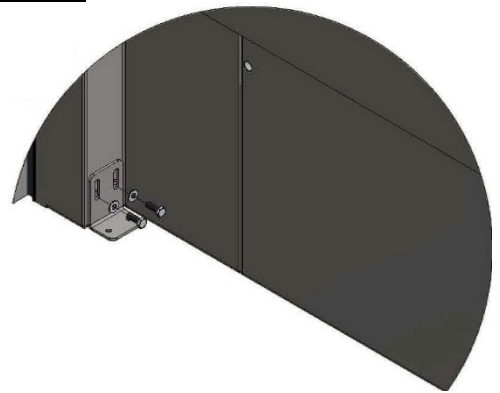
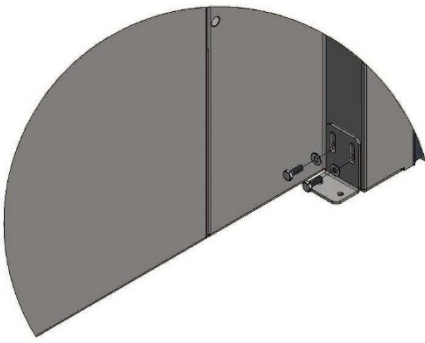
- PASS THROUGH UNITS USE A ADDITIONAL SET OF FRONT PANEL IN THE REAR AS SHOWN IN THE WALL PANEL CONFIGURATIONS DIAGRAM
- WHILE REFERRING TO THE WALL PANEL CONFIGURATIONS DIAGRAM, ERECT THE REAR PANELS FIRST AND LOCK THEM TOGETHER USE A 5/16 HEX WRENCH TO ROTATE THE LOCKS UNTIL THE LOCK ARE ENGAGED.
 - WHEN THE REAR PANELS ARE ERECTED, ATTACH INSTALLATION JIG TO THE REAR CORNERS
- AFTER THE REAR PANELS ARE LOCKED AND INSTALLATION JIG INSTALLED, CONTINUE ATTACHING/LOCKING PANELS TILL ALL WALL PANELS ARE ATTACHED.
- AFTER INSTALLING THE HEADERS, INSTALL FOUR REINFORCEMENT BRACKETS, USING FOUR 10-32 HEX HEAD SCREWS EACH, INSIDE OF THE UNIT WHERE THE HEADERS AND CORNERS MEET
- WHEN FINISHED ERECTING PANELS, ATTACH INSTALLATION JIG TO THE FRONT CORNER.

INSTALLING TOPS



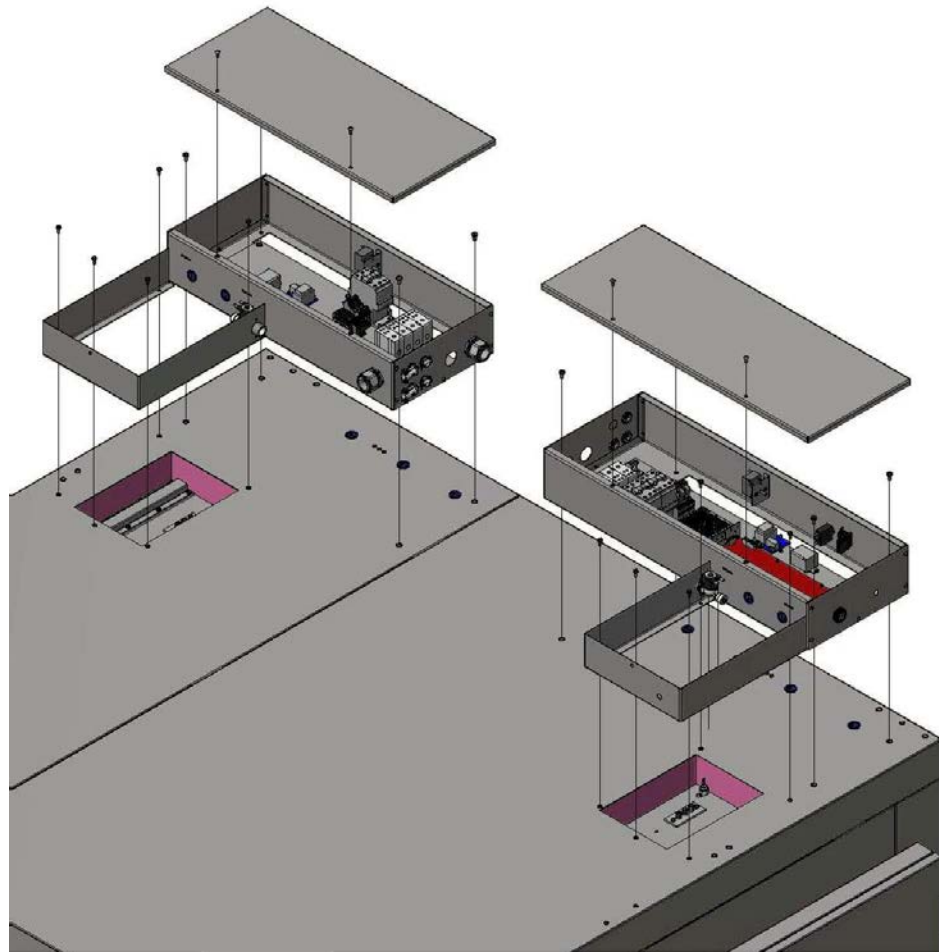
- WHILE REFERRING TO TOP PANEL CONFIGURATIONS DIAGRAM , INSTALL TOPS AND LOCK TOGETHER
 - START WITH THE REAR PANEL FIRST.
 - MAKE SURE ALL PANEL SURFACES ARE FLUSH WITH ONE ANOTHER
- WHEN DONE
 - FILL LATCH ACCESS HOLES WITH SUPPLIED PLUGS (50-1641)
 - USE SUPPLIED SILICONE TO SEAL ALL INTERNAL SEAMS OF THE UNIT
- IF YOUR UNIT IS A KDP(R)32 OR KDP(R)33 INSTALLATION OF REINFORCEMENT BRACES IS NECESSARY AS SHOWN IN THE FIGURE ABOVE
 - PART NUMBERS FOR THE BRACES ARE INCLUDED IN THE TOP PANEL CONFIGURATIONS DIAGRAM
- WHEN DONE, USE SUPPLIED SILICONE TO SEAL ALL INTERNAL SEAMS OF THE UNIT

INSTALLING CORNER BRACKETS



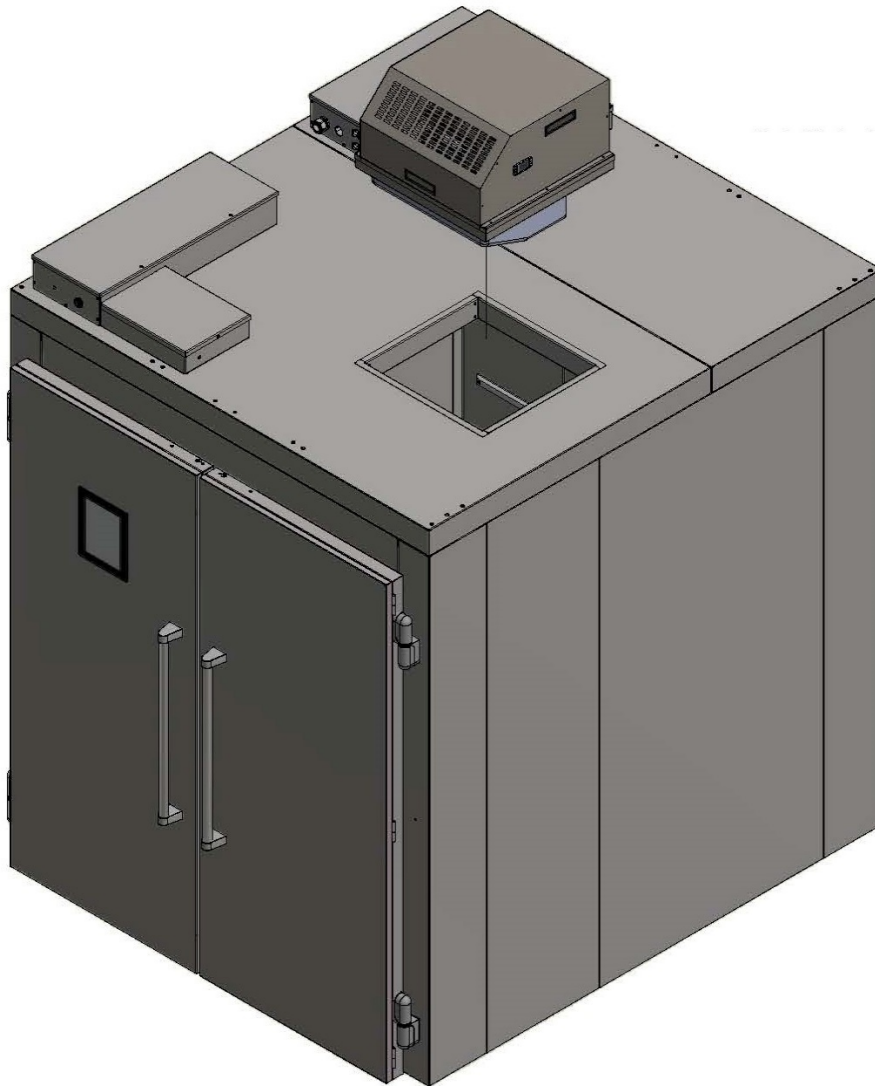
- **INSTALL** TWO FRONT CORNER BRACKETS (KDP_0050) TO FRONT INNER CORNERS USING TWO 1/4" WASHERS (53-0023) AND TWO 1/4-20 HEX BOLTS (ASBP105) EACH.
 - PASS THROUGH UNITS GET ANOTHER SET OF CORNER BRACKETS IN THE REAR
- USING THE SUPPLIED MASONRY BIT (51-1407) AND TWO CONCRETE SCREWS (53-0003) **DRILL** AND SCREW ONE OF THE CORNER MOUNTS TO THE FLOOR.
 - FOR PASS THROUGH UNITS, SCREW THE REAR BRACKET **DIAGONALLY** ACROSS FROM THE SECURED FRONT BRACKET
- AFTER ASSURING THE DOOR FRAME OF THE UNIT IS SQUARE, **DRILL** AND SCREW (53-0003) THE REMAING CORNER BRACKETS TO THE FLOOR.
- WHEN **ALL** CORNER BRACKETS ARE SECURED , REMOVE AND DISCARD THE INSTALATION JIG(S)

INSTALLING ELECTRICAL PANELS



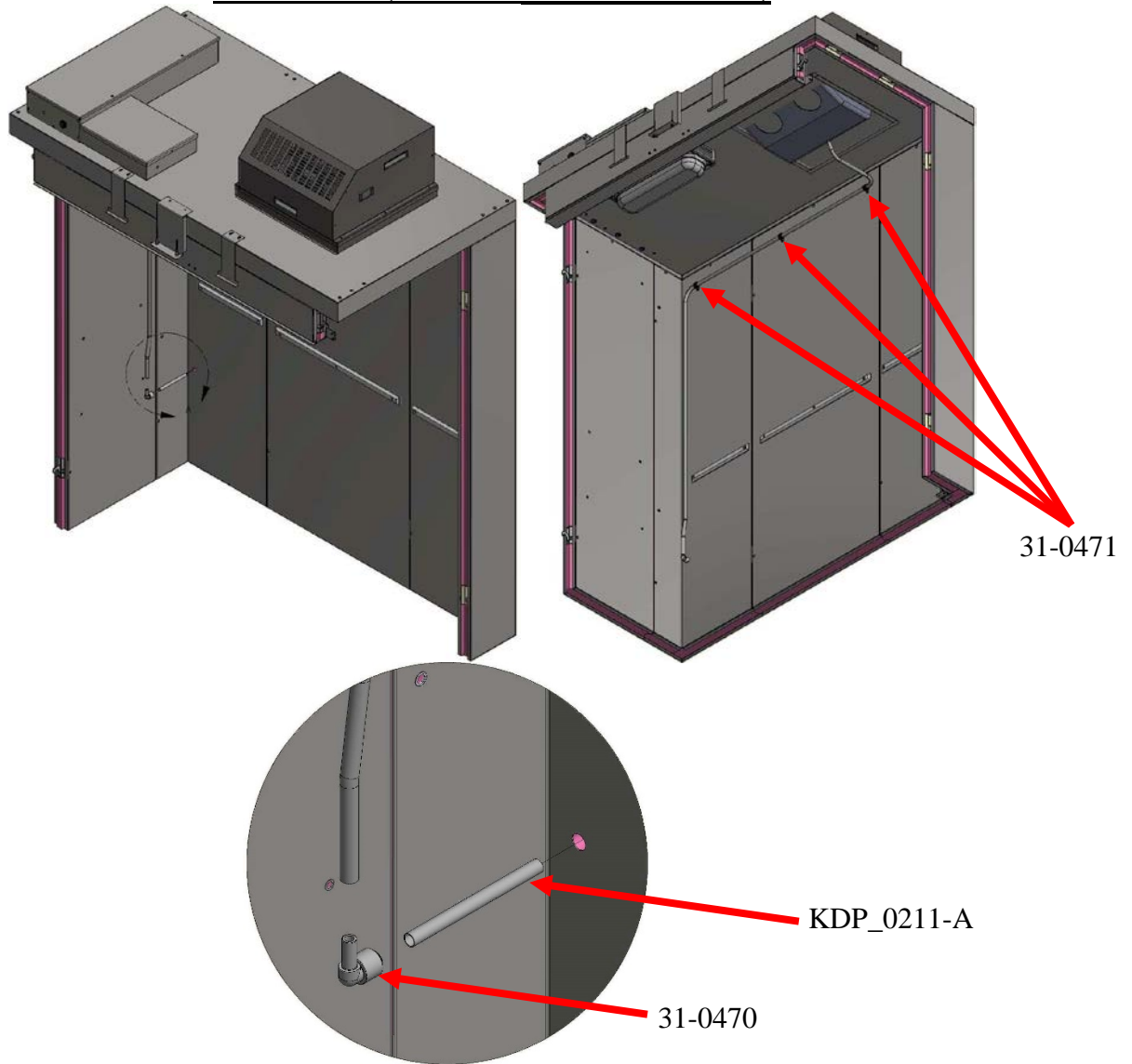
- **INSTALL** ELECTRICAL BOXES AS SHOWN USING 1/4-20 SS PAN HEAD SCREWS (53-0840) AND 10-32 FLANGED SCREWS (**ASBP120**)
 - REFER TO ELECTRICAL PANEL CONFIGURATIONS TO PLACE THE CORRECT PANEL IN THE PROPER LOCATION
- WHEN THE ELECTRICAL PANELS ARE **INSTALLED**, RUN THE **PREINSTALLED** CONDUIT LINE FROM THE CONTROL BOX(UPPER FRONT LEFT SIDE OF UNIT) TO THE OTHER ELECTRICAL BOXES
- IF A RETARDER UNIT, **INSTALL** JUNCTION BOXES AT LOCATIONS **CALLED** OUT ON THE ELECTRICAL PANEL CONFIGURATIONS DIAGRAM
- LEAVE COVERS OFF THE ELECTRICAL PANEL **TILL** **ALL** ELECTRICAL CONNECTIONS ARE MADE.

INSTALLING REFRIGERATION MODULES (RETARDER MODELS)



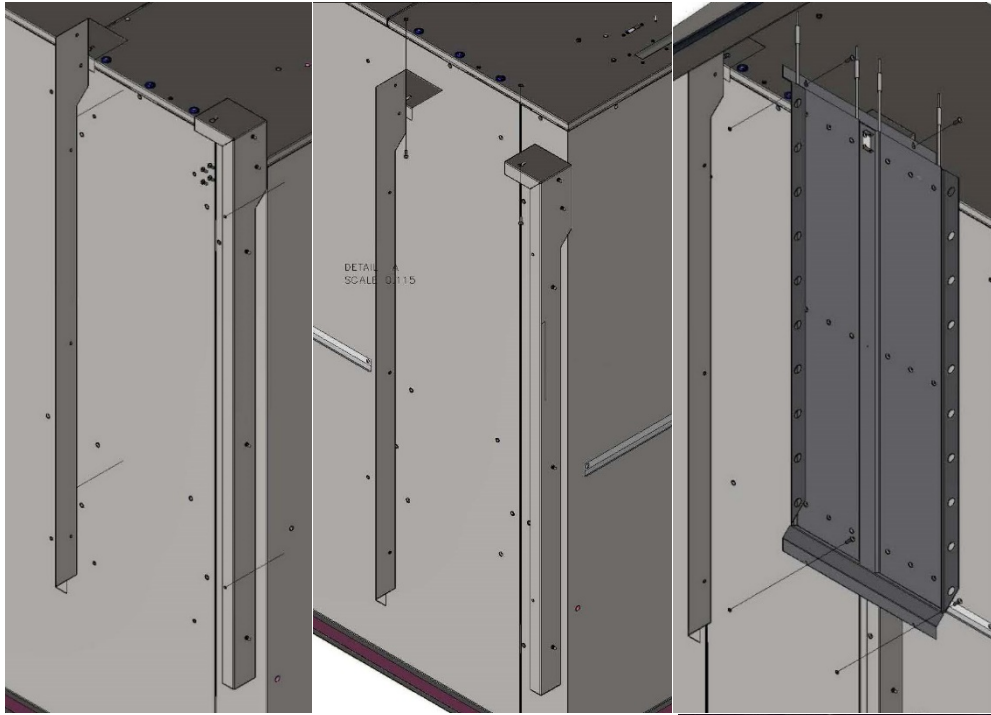
- FOR KDPR UNITS, PLACE REFRIGERATION UNITS IN THE OPENINGS ON TOP
 - REFER TO REFRIGERATION MODULES PLACEMENT DIAGRAM
- CONNECT REFRIGERATION MODULE TO ELECTRICAL SYSTEM
 - REFER TO WIRING SCHEMATIC PROVIDED
 - FOR UNITS WITH MORE THAN ONE REFRIGERATION MODULE MAKE CONNECTIONS IN SUPPLIED JUNCTION BOXES

PLUMBING (ONLY ON KDPR MODELS)



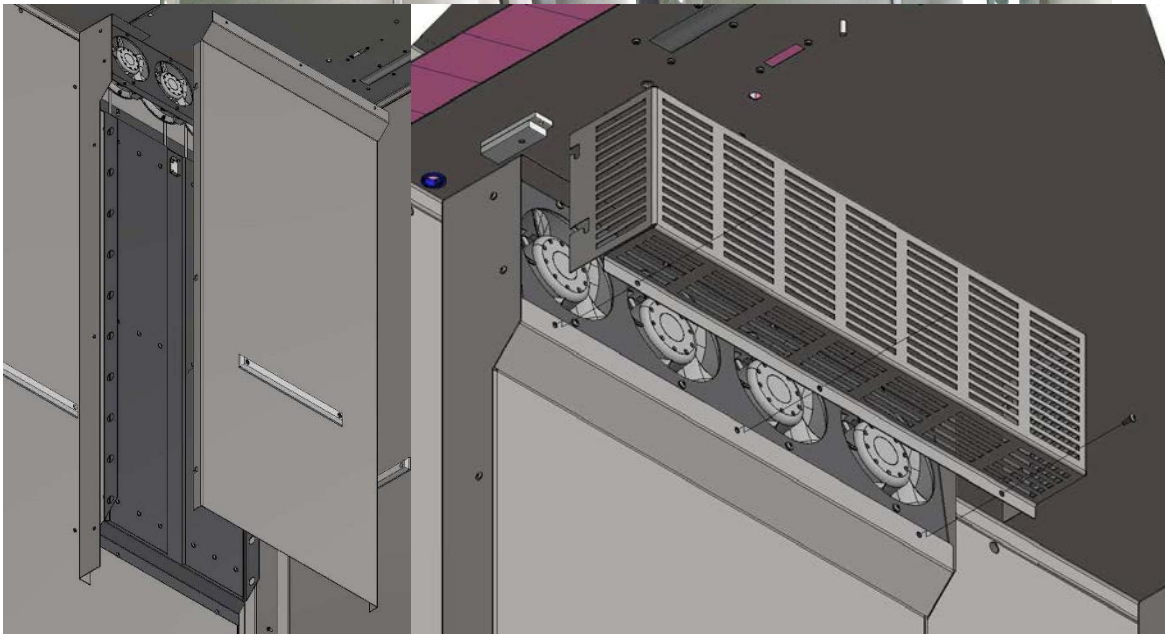
- INSERT STAINLESS DRAIN TUBE INTO THE REAR LEFT CORNER WITH ADAPTER ELBOW (31-0470) ATTACHED TO THE INTERIOR SIDE OF THE TUBE
 - SEAL TUBE WHERE IT ENTERS THE HOLE WITH SUPPLIED SILCONE
- RUN SUPPLIED CLEAR TUBING FROM THE STEM END OF THE ELBOW ADAPTER TO THE TO DRAIN UNDER THE REFRIGERATION UNIT
 - USE SUPPLIED TUBE CLAMPS TO SECURE TUBING TO THE REAR OF THE UNIT INSTALLING HEATERS
 - USE THE SUPPLIED 10-32 SCREWS TO ATTACH THE CLAMPS TO THE WALL

FEED ELEMENT WIRE THROUGH THE GROMMETS ABOVE. UNITS THAT HAVE WAGOS ATTACH TO THE ELEMENT LEAD, MUST RUN THE WAGO CONNECTION THROUGH THE GROMMET INTO THE ELECTRICAL BOX. IN ORDER TO RUN THE WAGO CONNECTION THROUGH THE GROMMETS THE WAGO HAS TO BE TEMPORARLY REMOVED



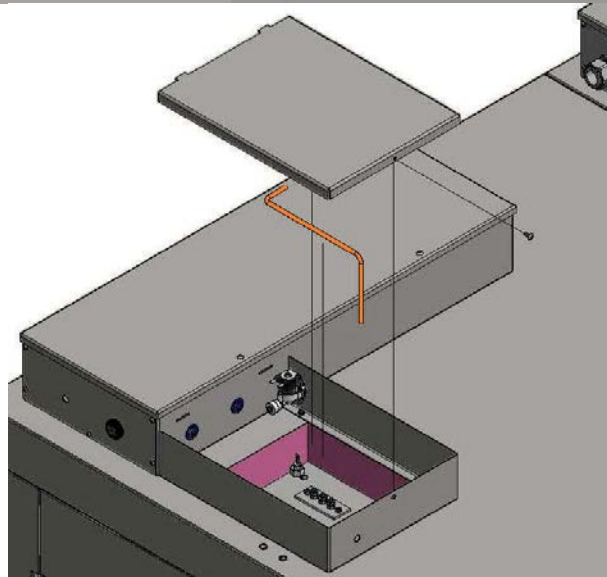
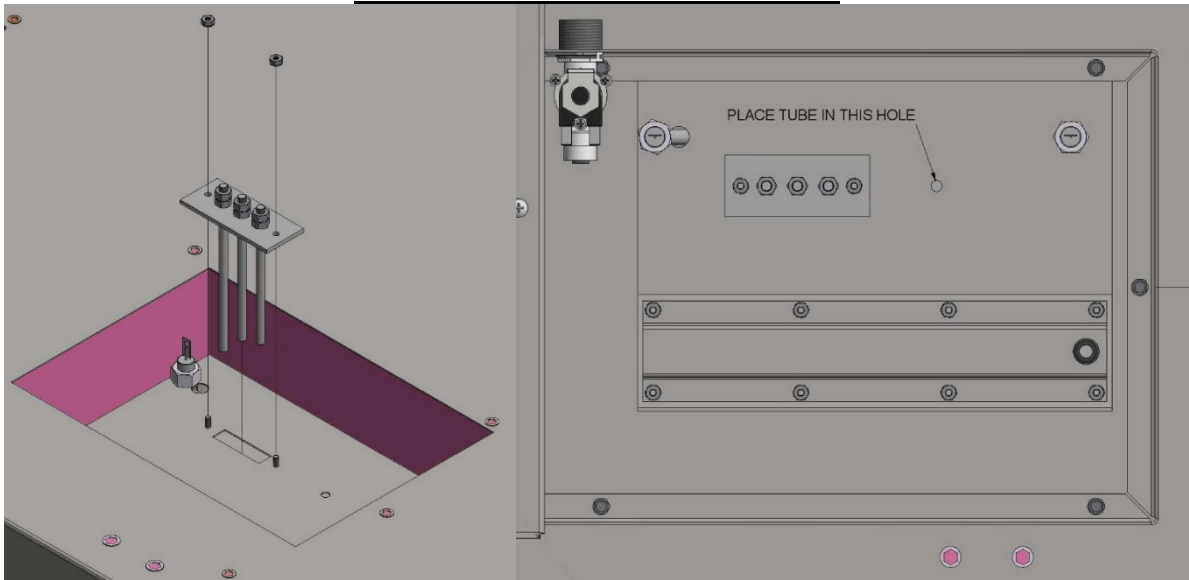
- NOTE: ALL HEATERS ARE INSTALLED UNDER A ELECTRICAL BOX
- INSTALL DUCT SUPPORTS(50039149+50039150) USING (2) 1/4-20 SS PHILIP PAN HEAD SCREWS (53-0037) EACH
- FINISH INSTALLING DUCT SUPPORTS(50039149+50039150) USING (4) 1/4-20 SS PHILIP PAN HEAD SCREWS (53-0037) EACH
- MOUNT BOTH ELEMENT MOUNT ASSEMBLIES (50039146), USING (4) 10-32 SS PHILIP PAN HEAD SCREWS (53-0110) EACH.
- FEED ELEMENT AND PROBE LEADS THROUGH GROMMETS ON CEILING ABOVE ELEMENTS.
 - WE RECOMMEND USING A FISH TAPE TO PULL THE ELEMENT WIRES INTO THE ELECTRICAL BOXES
 - MAKE SURE SHEATH ON PROBE LEAD IS POSITIONED IN THE BOX AND NOT GOING THROUGH THE GROMMET OPENING
 - CONNECT ELEMENT AND PROBE LEADS (REFER TO SUPPLIED ELECTRICAL DIAGRAM IN CONTROL BOX)
- INSERT HIGH LIMIT PROBE INTO BRACKET
 - BEND CORNERS ON BRACKET TO SECURE PROBE

INSTALLING FANS



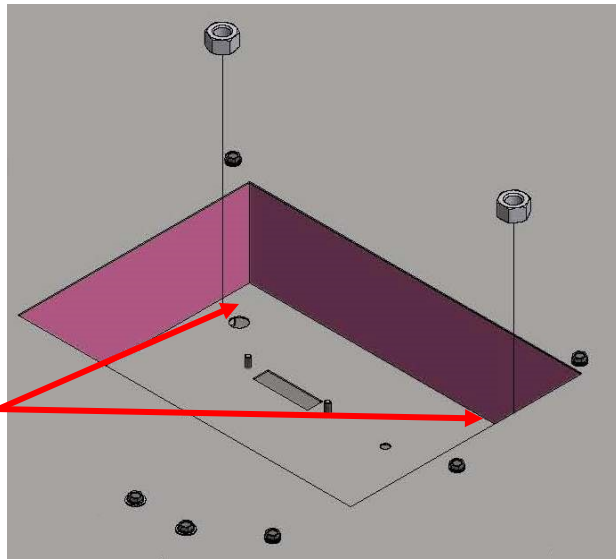
- FEED FAN PROBE LEADS THROUGH GROMMETS AND SILCONE AROUND ALL WIRES GOING THROUGH GROMETS WIRES.
 - WE RECOMMEND USING A FISH TAPE TO PULL THE FAN PROBE LEADS INTO THE ELECTRICAL BOXES
 - CONNECT THE WIRES TO THE CORRECT LOCATION STATED ON THE WIRING DIAGRAM.
- INSTALL FAN ASSEMBLIES (50039145) ONTO ELEMENT MOUNT ASSEMBLIES AS SHOWN
 - FAN ASSEMBLY NEEDS TO GO IN HORIZONTALY UNTIL THE SLOTS DROP ON TO THE FIRST SET OF PINS
 - LOWER FAN ASSMBLY
- INSTALL INTAKE COVERS (KDP_0136) USING (3) 8-32 MACHINE SCREWS (53-0050) PER HEATER ASSEMBLY
- HANG DUCT COVERS (50039152) ONTO DUCT SUPPORTS USING THE SLOT AND PINS
- INSTALL INTAKE COVERS(KDP_0136) USING (3) 8-32 MACHINE SCREWS (53-0050) FOR EACH HEATER ASSEMBLY
 - PUSH COVER IN THEN TO FASTEN WITH THE THREE 8-32 SCREWS

INSTALLING HUMIDITY SYSTEM

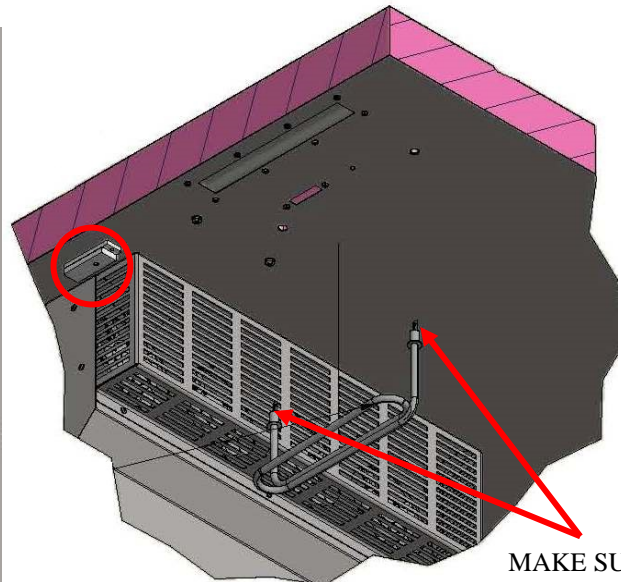


- **INSTALL** WATER LEVEL SENSOR AS SHOWN
 - RUN A BEAD OF SILICONE AROUND THE BOTTOM SIDE OF THE MOUNTING FLANGE
- **CONNECT** WATER LEVEL SENSOR LEADS
 - REFER TO SUPPLIED ELECTRICAL DIAGRAM
- **INSTALL** 1/4" COPPER TUBING TO WATER SOLENOIDS AND INSERT OTHER END OF TUBE INTO OPEN HOLE ABOVE THE WATER PAN IN THE CAVITY
 - SEAL WITH SILICONE WHERE THE TUBE IS INSERT INTO THE HOLE
- **ATTACH** WATER SOLENOID TO ENCLOSURE WITH SUPPLIED SCREWS
- **CONNECT** WATER SOLENOID TO SOURCE
 - IF YOUR UNIT HAS MULTIPLE HUMIDITY SYSTEMS, CONNECT THE WATER SOLENOIDS TOGETHER WITH THE PLASTIC TUBING THAT IS ALREADY CONFIGURED FOR YOU UNIT

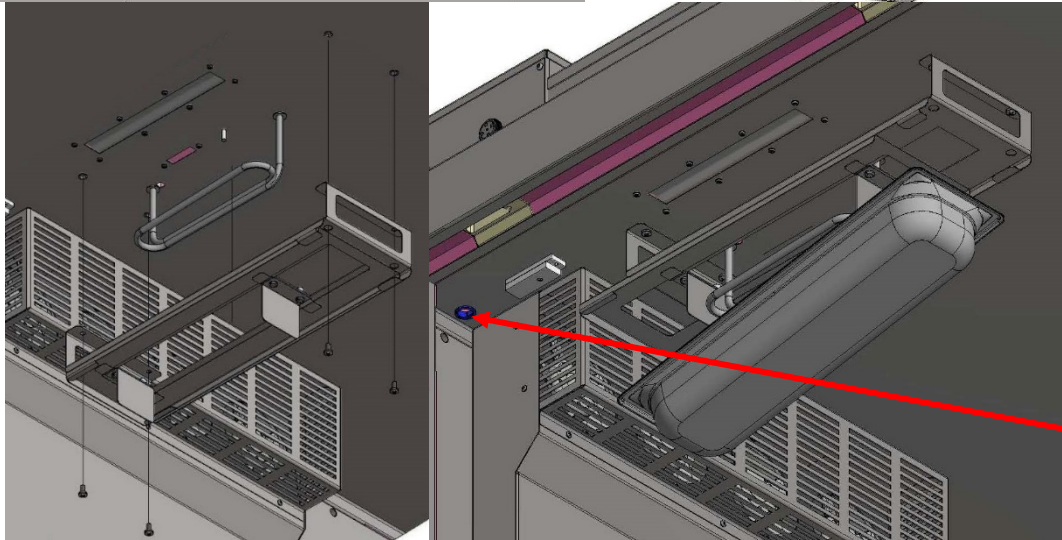
INSTALLING HUMIDITY SYSTEM CONT.



MAKE SURE
STEEL WASHERS
ARE ON THE
EXTERIOR SIDE
OF THE MOUNT



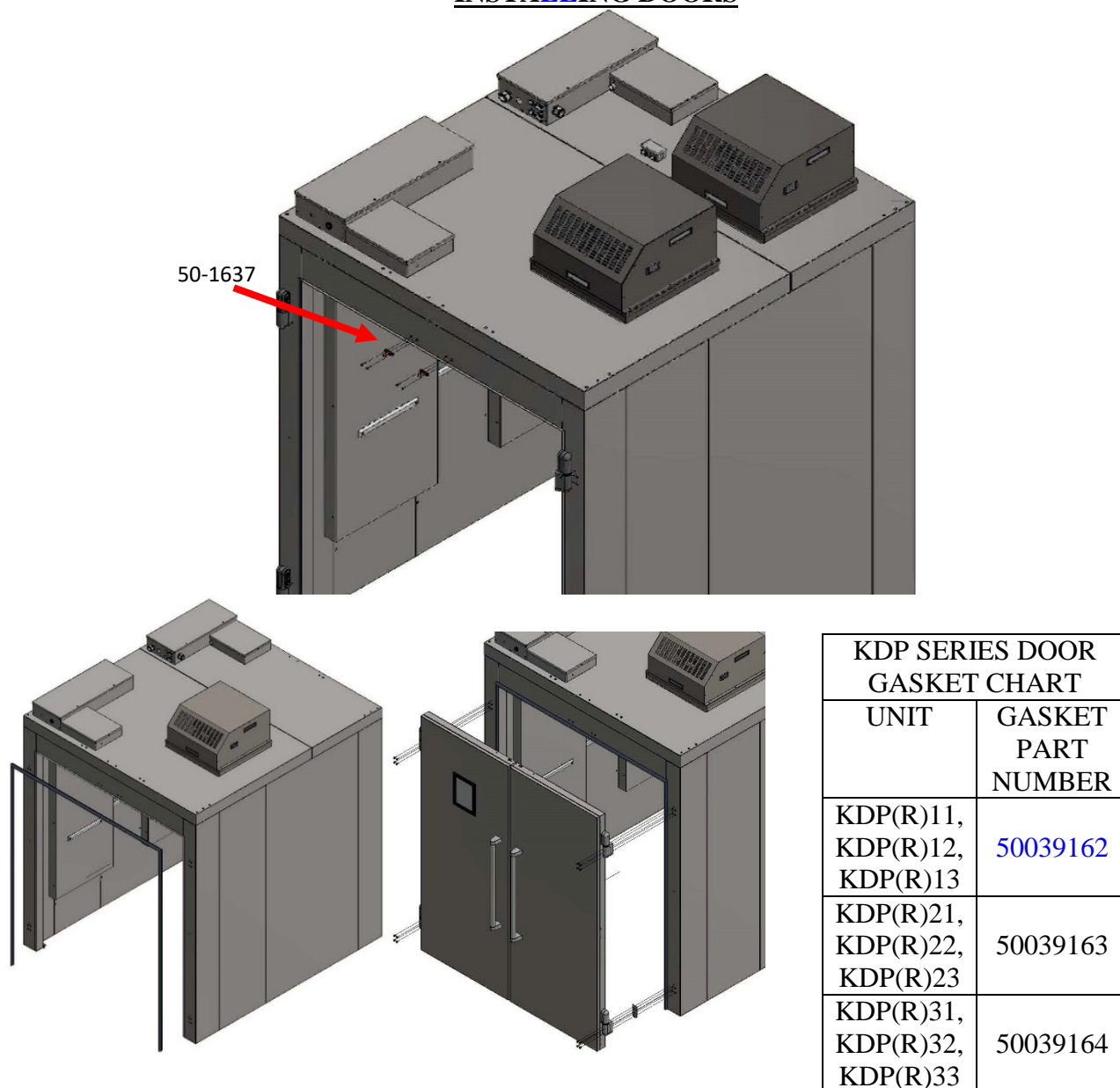
MAKE SURE FIBER
WASHERS ARE ON
THE INTERIOR
SIDE OF THE
MOUNT



RUN HUMIDITY
SENSOR LEAD
THROUGH THIS
GROMMET
OPENING

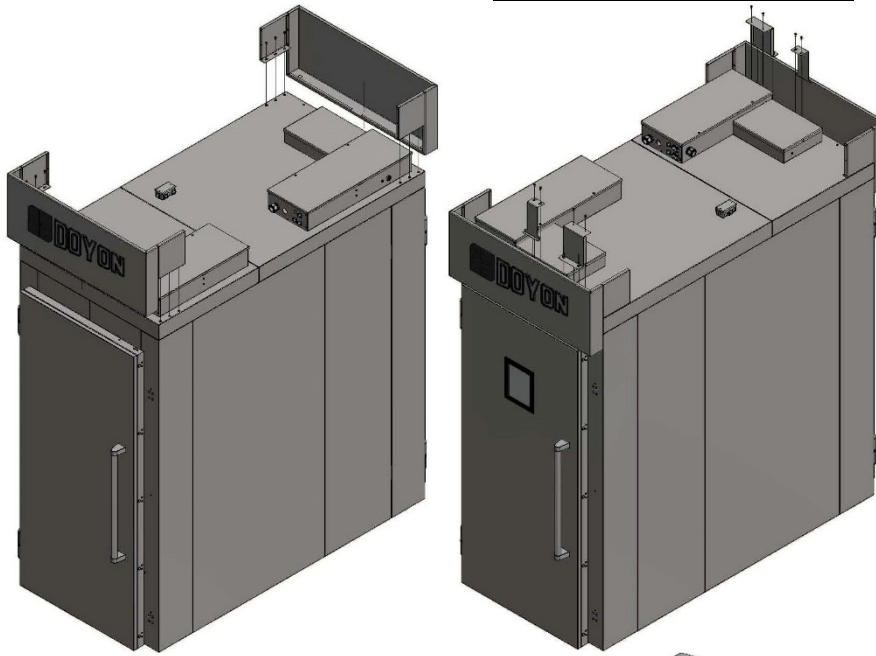
- **INSTALL** WATER HEATER ELEMENTS (18612-0367) USING THE NUTS SUPPLIED WITH THE ELEMENTS.
 - MAKE SURE GASKET IS IN THE INTERIOR SIDE OF THE MOUNT
- **INSTALL** TWO WATER PAN MOUNTS (50039148) USING (4) 1/4-20 SS PAN HEAD SCREWS (53-0840) EACH
 - NOTE: USE LONG PHILIPPS SCREW DRIVER TO ACCESS **ALL** FOUR MOUNT HOLES
- **INSTALL** HUMIDITY SENSOR (66-1146) (CIRCLED IN RED), FEED WIRE THROUGH GROMMET
 - ROUTE HUMIDITY SENSOR LEAD AND ATTACH THE LEAD PORT LABELED "TH SENSOR", AS SHOWN
- **SLIDE** PANS SLIDE OUT ON PAN MOUNTS AND **INSTALL** PANS (50039148).
- WHEN PANS ARE IN POSITION, MOVE SLIDES BACK

INSTALLING DOORS

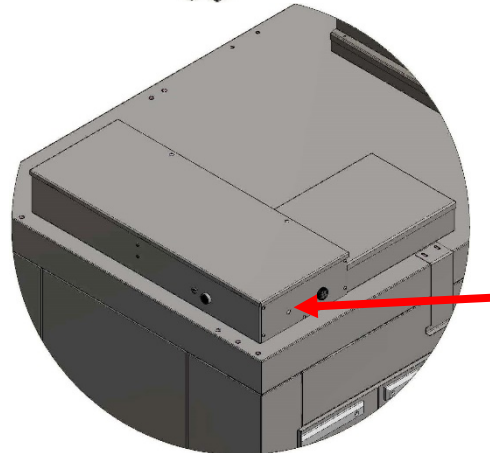


- **INSTALL** DOOR STRYKERS AS SHOWN WITH TWO 10-32 PHILIPS
 - SINGLE DOOR UNITS GET ONE STRYKER
 - TWO DOOR UNITS GET TWO STRYKER
- **INSTALL** DOOR GASKET AS SHOWN.
 - NOTE: MAKE SURE GASKET IS **FULLY** SEATED WHEN DONE
- **INSTALL** DOOR(S) WITH HINGES **INSTALLED** ,AS SHOWN USING (8) 1/4-20 PAN HEAD SCREWS(53-0840) PER DOOR
 - USE HINGES SHIMS (KDP_0201) AS NEEDED TO PREVENT DOOR SAG

INSTALLING FACADES



FIRST FEED CONTROL DOOR CABLE THOROUGH HOLE IN FAÇADE



AFTER THE CONTROL DOOR CABLE OF FED THOROUGH HOLE IN FAÇADE, FEED IT INTO THE CONTROL BOX VIA THIS HOLE, AFTERWARDS ADD A CABLE RESTRAIN

- ATTACH FAÇADE(S) AS SHOWN WITH (6) ¼-20 FLANGE SCREWS (53-0840) PER FAÇADE
- INSTALL FACADE SUPPORTS (KDP_0048) AND DOOR SWITCH BRACKET (KDP_0049) WITH 10-32 SCREWS AND ¼-20 SCREWS (2 EACH BRACKET)
 - NOTE 1: FACADE SUPPORT (KDP_0048) INTERLOCKS WITH FAÇADE
- CONNECT DOOR SENSOR (REFER TO SUPPLIED ELECTRICAL DRAWING)
 - NOTE 2: DOOR SWITCH BRACKET(KDP_0049) MUST BE INSTALL ON SAME SIDE AS DOOR HANDLE
 - ATTACH DOOR SENSOR WIRES TO THE LEADS IN THE ELECTRICAL BOX
- RUN PIGTAIL ATTACHED TO THE CONTROL DOOR THOUGH THE OPENING ON THE FACADE AND ROUTE IT INTO THE CONTROL BOX
 - WHEN ROUTED, PLUG THE CABLE TO PORT LABELED “TO DISPLAY” ON THE CONTROL BOARD
 - PLUG GREEN TERMINAL TO THE PORT LABELED “GND” ON THE CONTROL BOARD
 - ATTACH CABLE RESTRAIN TO THE CABLE AND BOX WHEN DONE

FINAL INSPECTION

- VERIFY **ALL** CONNECTIONS ARE CORRECT BY REFERRING TO THE SUPPLIED ELECTRICAL DIAGRAM
- SILICONE OPENINGS WITH WIRE LEADS GOING THROUGH
- REINSTALL **ALL** COVERS ON ELECTRICAL BOXES
- REMOVE **ALL** PLASTIC FILM FROM THE INTERIOR AND EXTERIOR OF THE UNIT.
- AFTER **ALL** CONNECTIONS ARE VERIFIED, HOOK UP MAIN POWER TO ELECTRICAL ENTRANCE
- WAIT 8 HRS TO LET SILICONE **FULLY** CURE BEFORE POWERING UP UNIT

OPERATION OF THE PROOFER



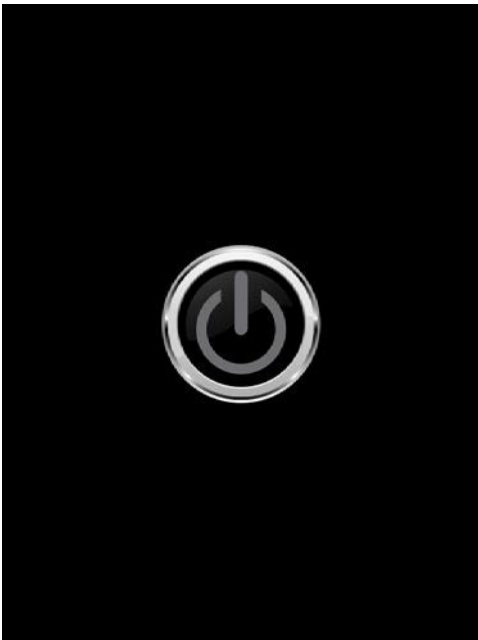
INITIAL START UP

To turn unit on, push the black push button on the electrical box. The box is located on the top of the unit towards the front left corner. Once this button is pushed, there will be no need to use it again during normal operation.



SPLASH SCREEN

This screen is displayed when the unit powers on.



STANDBY SCREEN

This screen is displayed when the unit is in Standby mode. When in standby mode, the unit is powered but is neither proofing nor retarding. Pushing the power icon will activate last used mode.

PROOFER MODE

Standby Icon

Standby Icon will switch the unit to standby mode

Temperature Control (Heating)

Tapping on this icon will let you enter the desired proofing temperature.

Retarding mode

Tapping this icon will make the unit go into Retarding mode

Temperature Display

Displays set temperature in white font. When you tap on the display it will show you the actual temperature inside of the unit in yellow/orange font.



Humidity Level Display


Displays set humidity level in white font. When you tap on the display it will show you the actual humidity level inside of the unit in yellow/orange font.

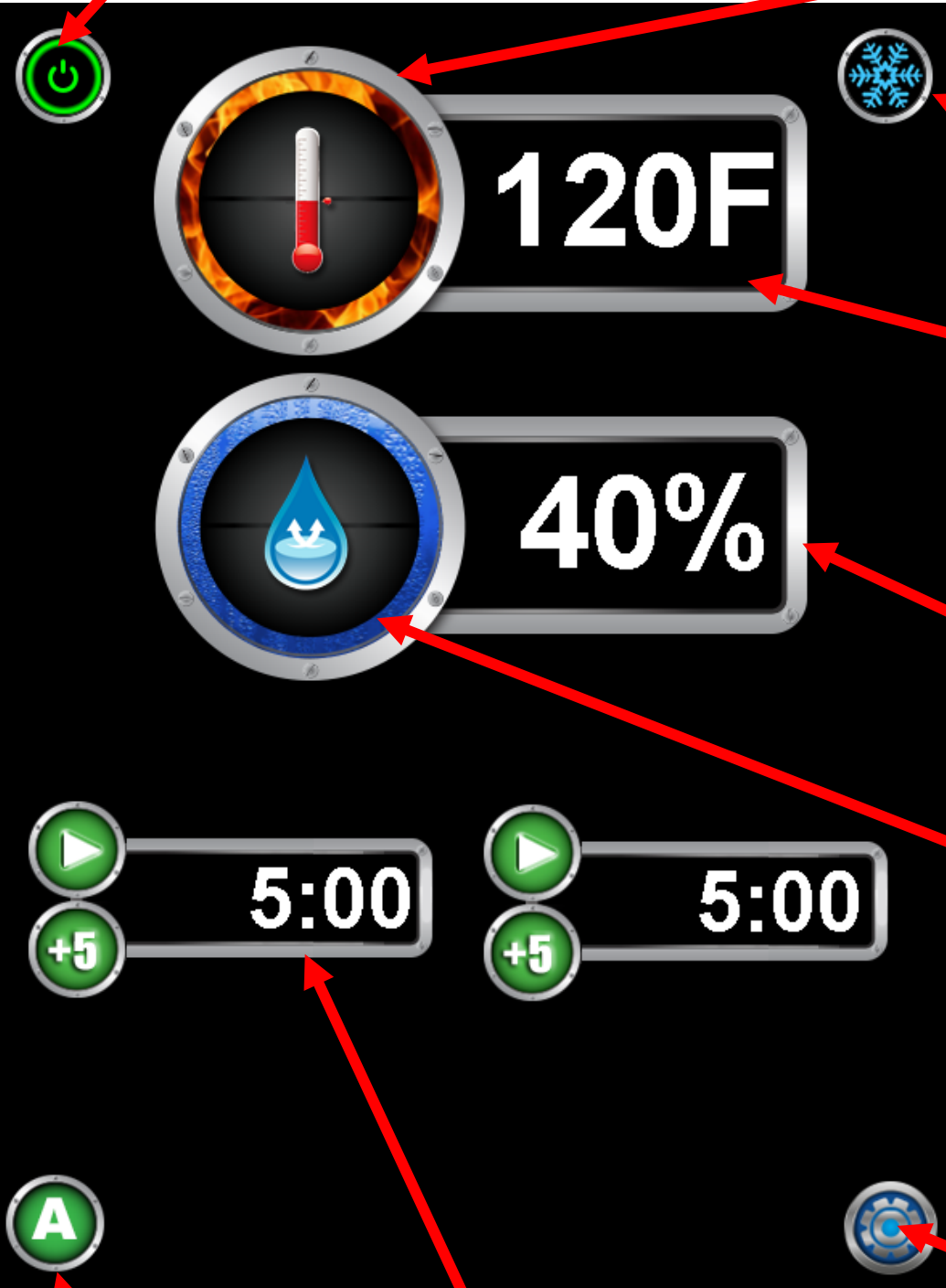
Humidity Control

Tapping on this icon will let you enter the desired humidity level

Timer

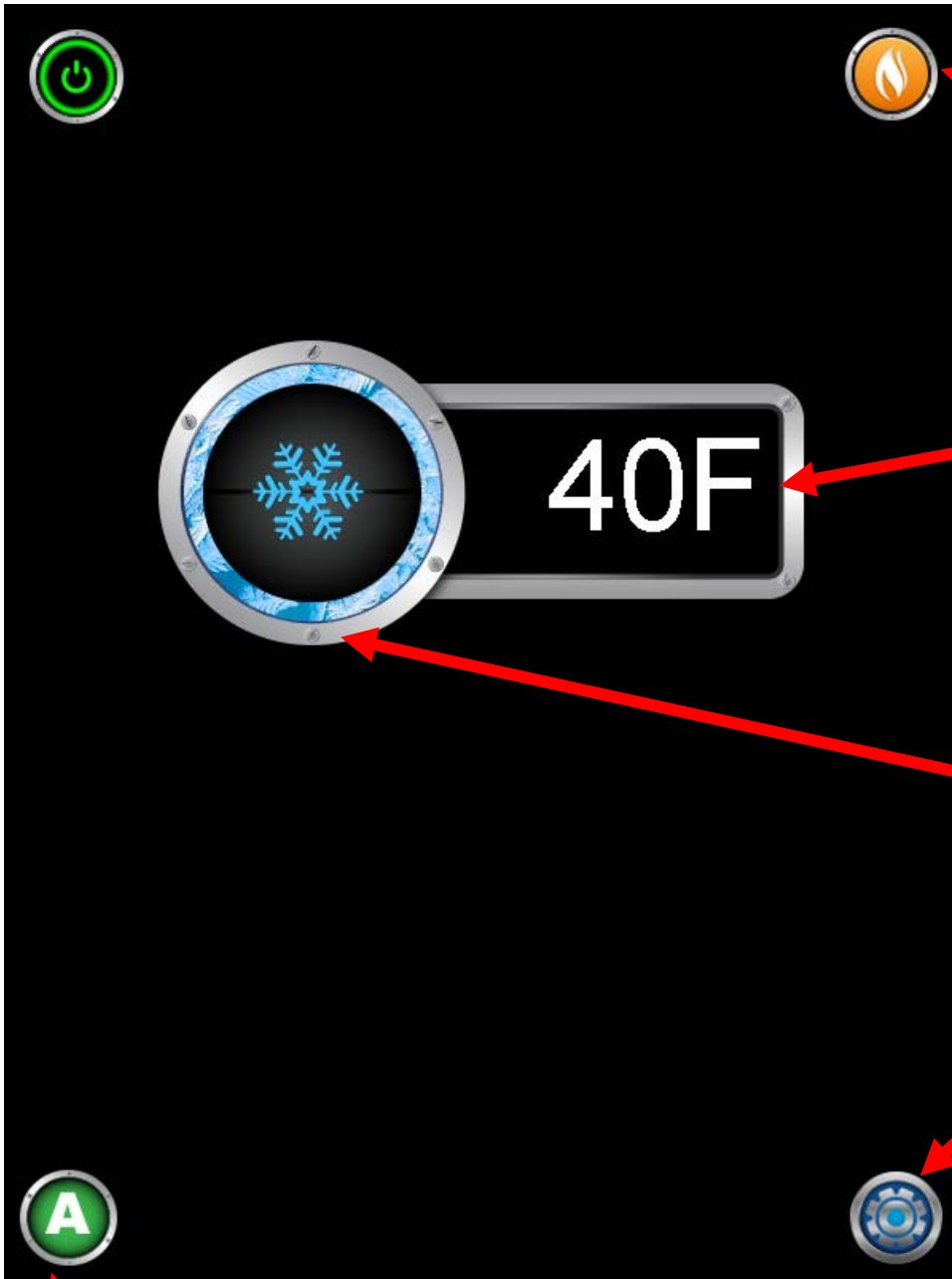
Pushing the +5 button will add 5 minutes to the displayed time. Pushing the  button will start the timer. When the timer is running, pushing the  button will reset the timer to 5 mins

Tapping this icon will bring up the command screen. When in the command screen, enter "7123" then press the  icon to bring up the setup page for the automatic proofing and retarding mode.



Tapping this icon will turn on automatic proofing and retarding. When the icon is green the automatic control is on. When the icon is grey the automatic control is off.

RETARDING MODE



Proofing mode

Tapping this icon will make the unit go into Proofing mode

Temperature Display

Displays set temperature in white font. When you tap on the display it will show you the actual temperature inside of the unit in yellow/orange font.

Cooling Control




Tapping on this icon will let you enter the desired retarding temperature.

Tapping this icon will bring up the command screen. When in the command screen, enter "7123" to bring up the setup page for the automatic proofing and retarding mode.

Tapping this icon will turn on automatic proofing and retarding. When the icon is green the automatic control is on. When the icon is grey the automatic control is off.

AUTOMATIC PROOFING/RETARDING MODE SET UP

This page lets you set up what time your proofer turns on and when it switches to retarder mode

| | | | |
|---|---|---|------------------|
| MONDAY | | | |
| PROOFER ON TIME | 06:00 AM | 03:00PM | RETARDER ON TIME |
| TUESDAY | | | |
| PROOFER ON TIME | 06:00 AM | 03:00PM | RETARDER ON TIME |
| WEDNESDAY | | | |
| PROOFER ON TIME | 06:00 AM | 03:00PM | RETARDER ON TIME |
| THURSDAY | | | |
| PROOFER ON TIME | 06:00 AM | 03:00PM | RETARDER ON TIME |
| FRIDAY | | | |
| PROOFER ON TIME | 06:00 AM | 03:00PM | RETARDER ON TIME |
| SATURDAY | | | |
| PROOFER ON TIME | 06:00 AM | 03:00PM | RETARDER ON TIME |
| SUNDAY | | | |
| PROOFER ON TIME | 06:00 AM | 03:00PM | RETARDER ON TIME |
|  |  |  | |

Tapping this icon will bring up the real time clock setup

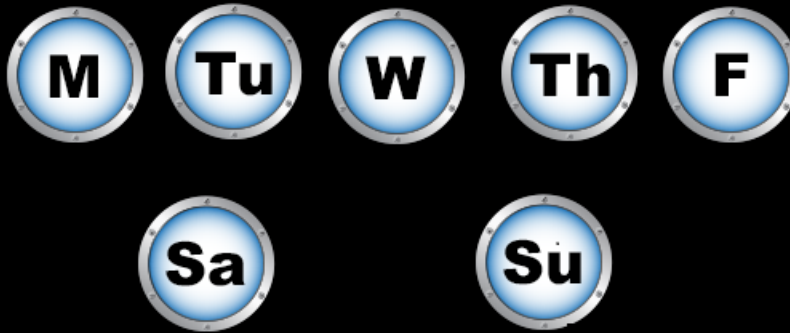
Tapping this icon will change the unit of temperature to Celsius or Fahrenheit

Tapping this icon will bring back the last page you were in

REAL TIME CLOCK SETUP

This page lets you set up your current time and a day of the week.

REAL TIME CLOCK SETUP



03:00PM



MAINTENANCE AND CLEANING

| Questions | Solutions |
|---|---|
| Clean the inside of the unit with water and soap. | We recommend and sell: Dirt Buster III: Action foam cleaner CHEMCO Part number: NEB201 |
| Clean the unit exterior with a stainless steel cleaner. | We recommend and sell: Stainless steel cleaner SANY or CURTIS (comestible) Part number : NES201 |
| Clean the water system inside of the unit. | Twice a year clean the water pan and the immersion element, Is very important to use a high quality water filter on water system to prevent water line obstruction and scale problem in the water tank. |

LIMITED WARRANTY

(Continental United States Of America And Canada Only)

Doyon Equipment Inc. guarantees to the original purchaser only that its product are free of defects in material and workmanship, under normal use.

This warranty does not cover any light bulbs, thermostat calibration or defects due to or resulting from handling, abuse, misuse, nor shall it extend to any unit from which the serial number has been removed or altered, or modifications made by unauthorised service personnel or damage by flood, fire or other acts of God. Nor will this warranty apply as regards to the immersion element damaged by hard water.

The extent of the manufacturer's obligation under this warranty shall be limited to the replacement or repair of defective parts within the warranty period. The decision of the acceptance of the warranty will be made by Doyon Equipment service department, which decision will be final.

The purchaser is responsible for having the equipment properly installed, operated under normal conditions with proper supervision and to perform periodic preventive maintenance.

If any parts are proven defective during the period of one year from date of purchase, Doyon Equipment Inc. hereby guarantees to replace, without charge, F.O.B. Linière, Quebec, Canada, such part or parts.

Doyon Equipment Inc will pay the reasonable labour charges in connection with the replacement parts occurring within one year from purchase date. Travel over 50 miles, holiday or overtime charges are not covered. After one year from purchase date, all labour and transportation charges in connection with replacement parts will be the purchaser's responsibility.

Doyon Equipment Inc. does hereby exclude and shall not be liable to purchaser for any consequential or incidental damages including, but not limited to, damages to property, damages for loss of use, loss of time, loss of profits or income, resulting from any breach or warranty.

In no case, shall this warranty apply outside Canada and continental United States unless the purchaser has a written agreement from Doyon Equipment Inc.

GARANTIE LIMITÉE

(Pour le Canada et les États continentaux des États-Unis)

Équipement Doyon Inc. garantit ses produits à l'acheteur original, contre tout défaut de matériaux ou de fabrication, en autant qu'ils aient été utilisés de façon normale.

Cette garantie ne s'applique cependant pas sur les ampoules, les calibrations de température, tout défaut dû ou résultant d'une mauvaise manipulation, d'un emploi abusif ou d'un mauvais usage. La garantie ne s'applique pas non plus sur tout équipement dont le numéro de série aurait été enlevé ou altéré, tout produit modifié par du personnel de service non autorisé, endommagé par une inondation, un feu ou tout autre acte de Dieu, ni sur les éléments immergés endommagés par l'eau dure.

L'étendue des obligations du manufacturier, selon cette garantie, est le remplacement ou la réparation des pièces défectueuses durant la période de garantie. L'acceptation de la garantie sera faite par le département de service d'Équipement Doyon Inc. Cette décision sera définitive.

L'acheteur est responsable de faire installer son équipement adéquatement, de l'opérer sous des conditions normales d'utilisation avec une bonne supervision, ainsi que d'effectuer un entretien préventif périodique.

Dans le cas où les pièces s'avèreraient défectueuses durant une période d'un an à partir de la date d'achat, Équipement Doyon Inc. s'engage à les remplacer, sans frais, F.O.B. Linière, Québec, Canada.

Équipement Doyon Inc. couvrira les frais raisonnables de main-d'œuvre reliés au remplacement des pièces, pour une période d'un an à partir de la date d'achat. Toutefois, les frais encourus pour les déplacements au-delà de 50 milles, le temps supplémentaire et les jours de congé ne sont pas couverts. Au-delà d'un an après la date d'achat, tous frais de transport et de main-d'œuvre pour le remplacement des pièces sont la responsabilité de l'acheteur.

Équipement Doyon Inc. ne se tient pas responsable envers l'acheteur pour toutes conséquences ou dommages incluant, mais non limités à, dommages à la propriété, dommages pour perte d'usage, perte de temps, perte de profits ou de revenus, provenant de tout bris de garantie.

En aucun cas, cette garantie ne s'applique à l'extérieur du continent des États-Unis d'Amérique ou du Canada, à moins que l'acheteur n'ait une entente écrite avec Équipement Doyon Inc.



**5600 13th Street
Menominee, MI, United States 49858
Tel.: 1 (906) 863-4401
Toll Free: 1 (800) 338-9886
Internet: <http://www.doyon.qc.ca>
E-mail: service@nu-vu.com**