

PARTS LIST AND EXPLODED VIEW

MODEL	JP	EU	EC	E2	EK	E2A	E1C	EUT
AVR-4308CI		✓	✓					

AV SURROUND RECEIVER

注 意

サービスをおこなう前に、このサービスマニュアルを必ずお読みください。本機は、火災、感電、けがなどに対する安全性を確保するために、さまざまな配慮をおこなっており、また法的には「電気用品安全法」にもとづき、所定の許可を得て製造されております。従ってサービスをおこなう際は、これらの安全性が維持されるよう、このサービスマニュアルに記載されている注意事項を必ずお守りください。

• For purposes of improvement, specifications and design are subject to change without notice.

- 本機の仕様は性能改良のため、予告なく変更することがあります。
- 補修用性能部品の保有期間は、製造打切後 8 年です。

• Please use this service manual with referring to the operating instructions without fail.

- 修理の際は、必ず取扱説明書を参照の上、作業を行ってください。

• Some illustrations using in this service manual are slightly different from the actual set.

- 本文中に使用しているイラストは、説明の都合上現物と多少異なる場合があります。

NOTE FOR PARTS LIST

- Parts for which "nsp" is indicated on this table cannot be supplied.
- When ordering of part, clearly indicate "1" and "I" (i) to avoid mis-supplying.
- Ordering part without stating its part number can not be supplied.
- Part indicated with the mark "★" is not illustrated in the exploded view.
- Not including General-purpose Carbon Film Resistor in the P.W.Board parts list. (Refer to the Schematic Diagram for those parts.)
- Not including General-purpose Carbon Chip Resistor in the P.W.Board parts list. (Refer to the Schematic Diagram for those parts.)

WARNING:

Parts marked with this symbol \triangle have critical characteristics. Use ONLY replacement parts recommended by the manufacturer.

● **Resistors**

Ex.: RN 14K 2E 182 G FR

Type	Shape and performance	Power	Resistance	Allowable error	Others
RD : Carbon RC : Composition RS : Metal oxide film RW : Winding RN : Metal film RK : Metal mixture	2B : 1/8W 2E : 1/4W 2H : 1/2W 3A : 1W 3D : 2W 3F : 3W 3H : 5W	F : ±1% G : ±2% J : ±5% K : ±10% M : ±20%	P : Pulse-resistant type NL : Low noise type NB : Non-burning type FR : Fuse-resistor F : Lead wire forming		

* **Resistance**

- 1 8 2 ⇒ 1800 ohm = 1.8 kohm
Indicates number of zeros after effective number.
2-digit effective number.
- Units: ohm
- 1 R 2 ⇒ 1.2 ohm
1-digit effective number.
2-digit effective number, decimal point indicated by R.
- Units: ohm

● **Capacitors**

Ex.: CE 04W 1H 2R2 M BP

Type	Shape and performance	Dielectric strength	Capacity	Allowable error	Others
CE : Aluminum foil electrolytic CA : Aluminum solid electrolytic CS : Tantalum electrolytic CQ : Film CK : Ceramic CC : Ceramic CP : Oil CM : Mica CF : Metallized CH : Metallized	0J : 6.3V 1A : 10V 1C : 16V 1E : 25V 1V : 35V 1H : 50V 2A : 100V 2B : 125V 2C : 160V 2D : 200V 2E : 250V 2H : 500V 2J : 630V	F : ±1% G : ±2% J : ±5% K : ±10% M : ±20% Z : +80% -20% P : +100% -0% C : ±0.25pF D : ±0.5pF = : Others	HS : High stability type BP : Non-polar type HR : Ripple-resistant type DL : For change and discharge HF : For assuring high frequency U : UL part C : CSA part W : UL-CSA type F : Lead wire forming		

* **Capacity (electrolyte only)**

- 2 2 2 ⇒ 2200μF
Indicates number of zeros after effective number.
2-digit effective number.
- Units: μF.
- 2 R 2 ⇒ 2.2μF
1-digit effective number.
2-digit effective number, decimal point indicated by R.
- Units: μF.
- * **Capacity (except electrolyte)**
- 2 2 2 ⇒ 2200pF=0.0022μF
(More than 2) Indicates number of zeros after effective number.
2-digit effective number.
- Units: pF.
- 2 2 1 ⇒ 220pF
(0 or 1) Indicates number of zeros after effective number.
2-digit effective number.
- Units: pF.

• When the dielectric strength is indicated in AC, "AC" is included after the dielectric strength value.

部品表について

- 部品表に "nsp" と記載されている部品は供給できません。
- 部品を発注する際は特に数字の "1" と英字の "I" との区別をはっきり記入してください。
- 部品番号を表示していない部品は供給できません。
- \triangle 印の部品は安全上重要な部品です。交換するときは、安全および性能維持のため必ず指定の部品をご使用ください。
- ★印のついている部品は分解図中には記載していません。
- 汎用カーボン抵抗器は記載していません。定数は回路図を参照願います。
- 汎用カーボンチップ抵抗器は記載していません。定数は回路図を参照願います。
- 部品表の抵抗器、コンデンサの品名記号の読み方は表を参照してください。

● **抵抗器**

例) RN 14K 2E 182 G FR

RN 種類	14K 形状特性	2E 電力	182 抵抗値	G 許容差	FR その他
RD : カーボン RC : 固定体 RS : 金属系皮膜 RW : 巻線 RN : 金属皮膜 RK : 金属混合体	2B : 1/8 W 2E : 1/4 W 2H : 1/2 W 3A : 1 W 3D : 2 W 3F : 3 W 3H : 5 W	F : ±1% G : ±2% J : ±5% K : ±10% M : ±20%	P : 耐パルス形 NL : 低雑音形 NB : 不燃形 FR : ヒューズ抵抗 F : リード線成形		

- * 抵抗値
- 18 2 ⇒ 1800Ω=1.8kΩ
有効数字につづく0の数を表わす。
2桁の有効数字を表わす。
- 1R 2 ⇒ 1.2Ω
1桁の有効数字を表わす。
2桁の有効数字で小数点はRで表わす。
単位はΩ

● **コンデンサ**

例) CE 04W 1H 2R2 M BP

CE 種類	04W 形状特性	1H 耐圧	2R2 容量	M 許容差	BP その他
CE : アルミ箔電解 CA : アルミ固体電解 CS : タンタル電解 CQ : フィルム CK : セラミック CM : マイカ CF : メタライズド CH : メタライズド	0J : 6.3 V 1A : 10 V 1C : 16 V 1E : 25 V 1V : 35 V 1H : 50 V 2A : 100 V 2B : 125 V 2C : 160 V 2D : 200 V 2E : 250 V 2H : 500 V 2J : 630 V	F : ±1% G : ±2% J : ±5% K : ±10% M : ±20% Z : +80% -20% P : +100% -0% C : ±0.25pF D : ±0.5pF = : その他	HS : 高安定形 BP : 無極性形 HR : 耐リップル形 DL : 充放電対策用 HF : 高周波保証用 U : UL 部品 C : CSA 部品 W : UL-CSA 部品 F : リード線成形		

* 容量値

- 電解コンデンサの場合
- 22 2 ⇒ 2200μF
有効数字につづく0の数を表わす。
2桁の有効数字を表わす。
単位はμF
- 2R 2 ⇒ 2.2μF
1桁の有効数字を表わす。
2桁の有効数字で小数点はRで表わす。
単位はμF
- 電解コンデンサ以外の場合
- 22 2 ⇒ 2200pF=0.0022μF
有効数字につづく0の数を表わす。
(0の数が2以上の場合)
2桁の有効数字を表わす。
単位はpF
- 22 1 ⇒ 220pF
有効数字につづく0の数を表わす。
(0の数が0または1の場合)
2桁の有効数字を表わす。
単位はpF

● 耐圧を交流で表示する場合は、耐圧表示の次に「AC」を表示します。

PARTS LIST OF P.W.B. UNIT

*本表に記載されている部品は、補修用部品のため製品に使用している部品とは一部、形状、寸法などが異なる場合があります。

* The parts listed below are for maintenance only, might differ from the parts used in the unit in appearances or dimensions.

* "nsp" 印の部品は常時在庫していませんので供給に長時間を要することがあります。場合によっては、供給をお断りする場合があります。

* Part indicated with the mark "nsp" are not always in stock and possibly to take a long period of time for supplying, or in some case supplying of part may be refused.

00D1U-3799 DIGITAL P.W.B. UNIT ASS'Y

Ref. No.	nsp	Part No.	Part Name	Remarks	Q'ty	New
SEMICONDUCTORS GROUP						
IC101-103		-	LC89057W-VF4A			
IC105		-	F2621E-01			
IC106		-	SN74LV08APW-EL2 +REF			
IC107		-	SN65LVDS32PW +REF			
IC108		-	SN65LVDS1DBVR	<div style="border: 1px solid black; padding: 5px;"> <p>ご注意： ファームウェアをアップデートするときは、SDIで最終バージョンを確認して下さい。サービス基板はアップデートして使用下さい。</p> <p>NOTE： When update Firmware, please confirm a last version in SDI. Use the service board after updating it.</p> </div>		
IC151		-	EP2C8F256C8N			
IC152		-	ICS570BLFT			
IC154,155		-	TC74VHC244FT			
IC156		-	EPCS1SI8N(TAPE)			
IC201		-	ADSP21366KBCZ1AA1134			
IC202		-	EN5312QI-T			
IC203		-	SN74LVC139APWR +REF			
IC204,205		-	TC74VHC573FT		S29AL016D90TFI020#	
IC206		-	DSP1 ROM SUB ASSY			
IC207		-	CY7C1049DV33-10ZSXI			
IC251		-	ADSP21367KBPZ2A1134			
IC254		-	W9864G2GH-7			
IC255		-	DSP2 ROM SUB ASSY	S29AL016D90TFI020#		
IC301		-	PCM1804 +REF			
IC302-305		-	PCM1791ADBR +REF			
IC306		-	UPC2933BT1D-E1-AT			
IC307-309		-	NJM2115M-TE1 +C			
IC310-314		-	SA5532ADR			
IC351,352		-	AK4385ET			
IC353,354		-	BA15218F-DXE2 +C			
IC402		-	MICROSMD175F			
IC403		-	SAA7121H			
IC404		-	RTL8201CP			
IC405		-	BCOIC-DM850E-CQL			
IC407		-	SN74LVC2G32DCT			
IC408		-	DM850 ROM SUB ASSY	S29GL064A90TFIR40		
IC409		-	W9812G6GH-6			
IC410		-	LM2832XMY			
IC411		-	FSUSB22			
IC412		-	PQ070XZ01ZP +C			
IC413		-	MICROSMD175F			
IC415		-	TC7W66FK			
IC416		-	SN74LVC2G14DBVR			
IC501		-	UPC2925BT1D-E1-AT			
IC510		-	SI19185CTU			
IC511		-	AZ1117H-1.8TRE1			
IC551		-	BR24L02FV-W			
IC552,553		-	SN74CBT3306PWG4			
IC554		-	SI19135CTU			
IC555		-	UPC2918BT1D-E1-AT			
IC601		-	EP2C35F484			
IC602		-	W9425G6DH-5			
IC603		-	FCXO-03L(27.000MHz)			
IC604		-	UPC2925BT1D-E1-AT			
IC605		-	FCXO-05(48.0MHz)			
IC606		-	M25P64-VMF6TG(GUI)			
IC607		-	LP2995M			
IC608		-	TC74VHC244FT			
IC609		-	EPCS16SI16N			
IC610		-	LM2832XMY			
IC611		-	UPC2925BT1D-E1-AT			
IC612,613		-	CDCVF2505PWR			
IC701		-	UPC2918BT1D-E1-AT			

Ref. No.	nsp	Part No.	Part Name	Remarks	Q'ty	New
IC702		-	SII9134CTU			
IC703		-	UPC2925BT1D-E1-AT			
IC751		-	UPC2918BT1D-E1-AT			
IC752		-	SII9134CTU			
IC753		-	UPC2925BT1D-E1-AT			
IC781		-	EPM570F256C5N			
IC801		-	AZ1117H-1.8TRE1	<p>ご注意： ファームウェアをアップデートするときは、SDIで最終バージョンを確認して下さい。 サービス基板はアップデートして使用下さい。</p> <p>NOTE： When update Firmware, please confirm a last version in SDI. Use the service board after updating it.</p>		
IC802		-	AZ1117H-3.3TRE1			
IC803		-	AZ1117H-2.5TRE1			
IC804		-	UPC2925BT1D-E1-AT			
IC805		-	AZ1117H-1.8TRE1			
IC806		-	ADV7403BSTZ-110	M3062LFGPGP		
IC807		-	ADV7320			
IC901		-	UPC2918BT1D-E1-AT			
IC902		-	FLI2310-LF-CF			
IC903		-	K4S643232H-UC60			
IC904		-	UPC2925BT1D-E1-AT	M3062LFGPGP		
IC951		-	SUB CPU SUB ASSY			
IC952,953		-	LTC1694CS5			
IC954		-	BU4094BCFV-E2			
IC955,956		-	TC74VHCT08AFT			
IC957,958		-	TC74VHC08FT			
IC959		-	AZ1117H-3.3TRE1			
IC960		-	EN5312QI-T			
TR201,202		-	KRA102S-RTK/P (10K-10K)			
TR203		-	KRC102S-RTK/P (10K-10K)			
TR251		-	KRA102S-RTK/P (10K-10K)			
TR252		-	KRC102S-RTK/P (10K-10K)			
TR253		-	2SB1412TL(PQR) +C			
TR254		-	KTC3875S-GR-RTK/P			
TR303		-	KRC102S-RTK/P (10K-10K)			
TR304		-	KRA102S-RTK/P (10K-10K)			
TR305-312		-	KRC102S-RTK/P (10K-10K)			
TR313-316		-	KRA102S-RTK/P (10K-10K)			
TR317,318		-	KTC2875-B-RTK/P			
TR319		-	KRC102S-RTK/P (10K-10K)			
TR320		-	KRA102S-RTK/P (10K-10K)			
TR351,352		-	KRC102S-RTK/P (10K-10K)			
TR353,354		-	KRA102S-RTK/P (10K-10K)			
TR355		-	KRC102S-RTK/P (10K-10K)			
TR356		-	KRA102S-RTK/P (10K-10K)			
TR357		-	KRC102S-RTK/P (10K-10K)			
TR358		-	KRA102S-RTK/P (10K-10K)			
TR401,402		-	KRC102S-RTK/P (10K-10K)			
TR405		-	KRC104S-RTK/P (47K-47K)			
TR406		-	KRA102S-RTK/P (10K-10K)			
TR407-409		-	KRC102S-RTK/P (10K-10K)			
TR410,411		-	FDC608PZ			
TR412		-	KRC102S-RTK/P (10K-10K)			
TR415		-	KRC102S-RTK/P (10K-10K)			
TR501-503		-	KRC102S-RTK/P (10K-10K)			
TR504-506		-	KRC104S-RTK/P (47K-47K)			
TR513		-	KRC104S-RTK/P (47K-47K)			
TR551		-	KRC102S-RTK/P (10K-10K)			
TR552-555		-	KRC104S-RTK/P (47K-47K)			
TR556		-	HN1K02FU-TE85L			
TR557		-	KRC104S-RTK/P (47K-47K)			
TR558		-	KRA104S-RTK/P (47K-47K)			
TR702		-	KTC3875S-GR-RTK/P			
TR703		-	KRC104S-RTK/P (47K-47K)			
TR706		-	KRC104S-RTK/P (47K-47K)			
TR751		-	KRC104S-RTK/P (47K-47K)			
TR801,802		-	KRC104S-RTK/P (47K-47K)			
TR803-807		-	2SA1022-B +C			
TR808		-	HN1K02FU-TE85L			

Ref. No.	nsp	Part No.	Part Name	Remarks	Q'ty	New
TR901		-	KRC104S-RTK/P (47K-47K)			
TR951		-	KTC3875S-GR-RTK/P			
TR952		-	2SC3326(A/B) +C			
TR953,954		-	2SC2412KT96(S) +C			
TR955		-	KRC104S-RTK/P (47K-47K)			
D101,102		-	RB521S-30TE61 +REF			
D201		-	RB521S-30TE61 +REF			
D304-307		-	KDS184-RTK/P (K-COM)			
D351,352		-	KDS184-RTK/P (K-COM)			
D401,402		-	RB521S-30TE61 +REF			
D403		-	RB060M-30			
D404-406		-	ESD PROTECTOR(6802)			
D501-524		-	ESD PROTECTOR(6802)			
D525		-	KDS160-RTK/P			
D528-539		-	ESD PROTECTOR(6802)			
D543		-	KDS160-RTK/P			
D544		-	RSX101M-30			
D545		-	RB521S-30TE61 +REF			
D551-558		-	ESD PROTECTOR(6802)			
D559		-	RB521S-30TE61 +REF			
D560-563		-	ESD PROTECTOR(6802)			
D564		-	RB521S-30TE61 +REF			
D566		-	KDS160-RTK/P			
D567		-	RSX101M-30			
D568		-	RB521S-30TE61 +REF			
D601		-	KDS160-RTK/P			
D602		-	RB060M-30			
D603		-	KDS160-RTK/P			
D701		-	RSX101M-30			
D702		-	RB521S-30TE61 +REF			
D703,704		-	KDS160-RTK/P			
D705-717		-	ESD PROTECTOR(6802)			
D718		-	KDS160-RTK/P			
D751		-	RSX101M-30			
D752		-	RB521S-30TE61 +REF			
D753		-	KDS160-RTK/P			
D754-766		-	ESD PROTECTOR(6802)			
D767		-	KDS160-RTK/P			
D781		-	RSX101M-30			
D801		-	RSX101M-30			
D901		-	KDS160-RTK/P			
D902		-	RSX101M-30			
D903		-	KDS160-RTK/P			
D951		-	KDS160-RTK/P			
D952,953		-	RM73B--0R0KT +1608			
ZD101-105		-	NSAD500F-T1B-A			
ZD301		-	UDZS3.6B-TE17			
ZD401,402		-	NSAD500F-T1B-A			
ZD701		-	UDZS5.1B-TE17 +C			
ZD751		-	UDZS5.1B-TE17 +C			
RESISTORS GROUP						
R161,162		-	RM73B20R0KT +3216			
R804,805		-	RM73B--151FT_1608			
R806,807		-	RM73B--121FT +1608			
R808-815		-	RM73B--151FT_1608			
R845		-	RM73B--621DT_1005			
R847		-	RM73B--621DT_1005			
R849		-	RM73B--242DT_1005			
R852		-	RM73B--242DT_1005			
R853-857		-	RM73B--271FT_1608			
RE443		-	RM73B--511FT +1608			
RE446		-	RM73B--102FT +1608			

Ref. No.	nsp	Part No.	Part Name	Remarks	Q'ty	New
RE450		-	RM73B--683DT(1608)			
RE451		-	RM73B--153DT(1608)			
RE658,659		-	RM73B--153DT(1608)			
RR288		-	RM73B--154DT(1608)			
RR292		-	RM73B--223DT(1608)			
RR293		-	RM73B--204DT(1608)			
RR427		-	RM73B--5491DT(1608)			
CAPACITORS GROUP						
C101		-	CK73B1A104KT +1005			
C102		-	CK73B0J475KT(P) +1608			
C103		-	CK73B1A104KT +1005			
C104		-	CK73B0J475KT(P) +1608			
C105		-	CS77B1A100MT(NOJ)			
C106		-	CC73CH1H101JT +1005			
C107,108		-	CK73B1H102KT +1005			
C109		-	CK73B0J475KT(P) +1608			
C110		-	CF73=1C104JT(ECHUX)			
C111		-	CC73CH1H101JT +1005			
C112		-	CK73B1H102KT +1005			
C113		-	CF73=1C223JT(ECHUX)			
C114		-	CK73B1E104KT +1608			
C115		-	CK73B1A104KT +1005			
C117		-	CK73B1E223KT +1608			
C118		-	CK73B1H102KT +1005			
C119		-	CK73B0J475KT(P) +1608			
C121		-	CC73CH1H101JT +1005			
C123		-	CK73B1H102KT +1005			
C125		-	CK73B1E104KT +1608			
C127		-	CK73B1E223KT +1608			
C129		-	CK73B1H102KT +1005			
C130		-	CK73B0J475KT(P) +1608			
C131-134		-	CC73CH1H200JT +1005			
C135,136		-	CK73B1A104KT +1005			
C137		-	CK73B0J475KT(P) +1608			
C138,139		-	CK73B1A104KT +1005			
C140,141		-	CC73CH1H3R0CT +1005			
C142		-	CK73B0J475KT(P) +1608			
C143,144		-	CK73B1A104KT +1005			
C145,146		-	CK73B1H102KT +1005			
C147,148		-	CK73B0J475KT(P) +1608			
C149		-	CK73B1H102KT +1005			
C150		-	CK73B1A104KT +1005			
C151		-	CK73B0J475KT(P) +1608			
C152		-	CK73B1A104KT +1005			
C153		-	CC73CH1H101JT +1005			
C154		-	CK73B1A104KT +1005			
C155		-	CC73CH1H101JT +1005			
C156,157		-	CC73CH1H6R0DT +1608			
C201		-	CK73B1E103KT(1005)			
C202		-	CC73CH1H101JT +1005			
C203		-	CK73B1E103KT(1005)			
C204		-	CC73CH1H101JT +1005			
C205		-	CK73B1E103KT(1005)			
C206		-	CC73CH1H101JT +1005			
C208,209		-	CC73CH1H5R0CT +1005			
C210		-	CC73CH1H101JT +1005			
C211		-	CK73B1E103KT(1005)			
C212		-	CK73B1H102KT +1005			
C213		-	CK73B1A104KT +1005			
C214		-	CK73B0J475KT(P) +1608			
C215-217		-	CC73CH1H101JT +1005			
C218		-	CK73B1E103KT(1005)			
C219-222		-	CC73CH1H101JT +1005			
C223		-	CK73B0J475KT(P) +1608			

Ref. No.	nsp	Part No.	Part Name	Remarks	Q'ty	New
C224-226		-	CC73CH1H101JT +1005			
C227		-	CK73B1E103KT(1005)			
C228-235		-	CK73B1H102KT +1005			
C236-243		-	CK73B1A104KT +1005			
C244		-	CS77B1A100MT(NOJ)			
C246		-	CK73B0J475KT(P) +1608			
C247		-	CK73B1A104KT +1005			
C248,249		-	CK73B0J475KT(P) +1608			
C250		-	CK73B1A104KT +1005			
C251		-	CE67W0J101MT(P.CAP) +REF			
C301,302		-	CC73CH1H103JT +2125			
C303-306		-	CC73CH1H561JT +1608			
C307		-	CK73B1E104KT +1608			
C308		-	CK73B1H102KT +1608			
C309		-	CK73B1H103KT (1608) +1608			
C310,311		-	CK73B1H102KT +1608			
C312		-	CK73B1E104KT +1608			
C313		-	CC73CH1H103JT +2125			
C314		-	CE67W0J101MT(P.CAP) +REF			
C315-320		-	CS77B1A100MT(NOJ)			
C321		-	CK73B1E104KT +1608			
C322		-	CK73B1H102KT +1608			
C323		-	CK73B1H103KT (1608) +1608			
C324-326		-	CK73B1E104KT +1608			
C327,328		-	CS77B1A100MT(NOJ)			
C329,330		-	CF73=1H182JT(ECHUX)			
C331-334		-	CF73=1H561JT(ECHUX)			
C335,336		-	CE67W1E100MT(P.CAP) +REF			
C337,338		-	CK73B1E104KT +1608			
C339,340		-	CS77B1A100MT(NOJ)			
C341		-	CF73=1H182JT(ECHUX)			
C342		-	CF73=1H152JT(ECHUX)			
C343		-	CF73=1H561JT(ECHUX)			
C344		-	CF73=1H331JT(ECHUX)			
C345		-	CF73=1H561JT(ECHUX)			
C346		-	CF73=1H331JT(ECHUX)			
C347,348		-	CS77B1A100MT(NOJ)			
C349,350		-	CK73B1E104KT +1608			
C351		-	CK73B1H102KT +1608			
C352		-	CS77B1A100MT(NOJ)			
C353,354		-	CF73=1H152JT(ECHUX)			
C355-358		-	CF73=1H391JT(ECHUX)			
C359,360		-	CK73B1E104KT +1608			
C361		-	CK73B1H103KT (1608) +1608			
C362		-	CS77B1A100MT(NOJ)			
C363,364		-	CF73=1H182JT(ECHUX)			
C365-368		-	CF73=1H561JT(ECHUX)			
C369		-	CK73B1E104KT +1608			
C370		-	CK73B1H102KT +1608			
C371,372		-	CS77B1A100MT(NOJ)			
C373,374		-	CK73B1H472KT +1608			
C375,376		-	CS77B1A100MT(NOJ)			
C383		-	CK73B1E104KT +1608			
C384		-	CK73B1H103KT (1608) +1608			
C385		-	CK73B1H102KT +1608			
C386		-	CK73B1H103KT (1608) +1608			
C387		-	CK73B1E104KT +1608			
C405,406		-	CK73B1A104KT +1005			
C409		-	CK73B1A104KT +1005			
C412,413		-	CK73B1A104KT +1005			
C414		-	CE67W0J101MT(P.CAP) +REF			
C415,416		-	CK73B0J475KT(P) +1608			
C417-421		-	CK73B1A104KT +1005			
C422		-	CS77B1A100MT(NOJ)			
C423		-	CK73B1A104KT +1005			
C424		-	CE67C0J220MT (RV2) +REF			

Ref. No.	nsp	Part No.	Part Name	Remarks	Q'ty	New
C425		-	CK73B1A104KT +1005			
C426		-	CK73B1H102KT +1005			
C427		-	CK73B1A104KT +1005			
C428		-	CK73B0J475KT(P) +1608			
C429		-	CK73B1A104KT +1005			
C430		-	CK73B0J475KT(P) +1608			
C431		-	CK73B1H102KT +1005			
C432		-	CK73B1A104KT +1005			
C433		-	CK73B1H102KT +1005			
C434-436		-	CK73B1A104KT +1005			
C438		-	CK73B1A104KT +1005			
C439,440		-	CK73B1H102KT +1005			
C441		-	CC73CH1H120JT +1005			
C442,443		-	CK73B0J475KT(P) +1608			
C444		-	CK73B1A104KT +1005			
C446		-	CK73B0J475KT(P) +1608			
C447,448		-	CK73B1E103KT(1005)			
C449		-	CK73B0J475KT(P) +1608			
C450		-	CK73B1A104KT +1005			
C452		-	CK73B1E103KT(1005)			
C454		-	CK73B0J475KT(P) +1608			
C455		-	CS77B1A100MT(NOJ)			
C456		-	CK73B1A104KT +1005			
C457		-	CK73B1H102KT +1005			
C458,459		-	CK73B1A104KT +1005			
C460,461		-	CK73B1H102KT +1005			
C462-473		-	CK73B1A104KT +1005			
C474,475		-	CK73B1H102KT +1005			
C476		-	CK73B1A104KT +1005			
C477,478		-	CK73B1H102KT +1005			
C479		-	CK73B1A104KT +1005			
C480,481		-	CK73B1H102KT +1005			
C482		-	CK73B1A104KT +1005			
C483-487		-	CK73B1H102KT +1005			
C488,489		-	CC73CH1H100DT +1608			
C490		-	CC73CH1H120JT +1005			
C498,499		-	CK73B1A104KT +1005			
C510-513		-	CK73B1A104KT +1005			
C514-518		-	CK73B1H102KT +1005			
C519-525		-	CK73B1A104KT +1005			
C527		-	CK73B1H102KT +1005			
C528,529		-	CK73B0J475KT(P) +1608			
C530		-	CK73B1H102KT +1005			
C532,533		-	CK73B1A104KT +1005			
C534,535		-	CK73B1H102KT +1005			
C538		-	CK73B1H102KT +1005			
C540,541		-	CK73B0J475KT(P) +1608			
C542,543		-	CK73B1A104KT +1005			
C544-547		-	CK73B0J475KT(P) +1608			
C601-604		-	CK73B1A104KT +1005			
C605		-	CK73B1H102KT +1005			
C606-615		-	CK73B1A104KT +1005			
C616		-	CK73B1H102KT +1005			
C617		-	CK73B1A104KT +1005			
C618		-	CK73B1H102KT +1005			
C619,620		-	CK73B1A104KT +1005			
C621		-	CK73B1H102KT +1005			
C622		-	CC73CH1H100DT +1608			
C623,624		-	CK73B0J475KT(P) +1608			
C625		-	CK73B1A104KT +1005			
C626		-	CK73B1H102KT +1005			
C627-636		-	CK73B1A104KT +1005			
C638		-	CK73B1A104KT +1005			
C639		-	CK73B1H102KT +1005			
C640		-	CK73B1A104KT +1005			
C641		-	CK73B1H102KT +1005			

Ref. No.	nsp	Part No.	Part Name	Remarks	Q'ty	New
C642,643		-	CK73B0J475KT(P) +1608			
C644		-	CC73CH1H100DT +1608			
C645-648		-	CK73B1H102KT +1005			
C649-652		-	CK73B1A104KT +1005			
C653-662		-	CK73B1H102KT +1005			
C663-672		-	CK73B1A104KT +1005			
C673,674		-	CK73B0J475KT(P) +1608			
C675		-	CC73CH1H100DT +1608			
C676		-	CK73B1H102KT +1005			
C677		-	CK73B1A104KT +1005			
C678,679		-	CK73B0J475KT(P) +1608			
C680		-	CC73CH1H120JT +1005			
C681		-	CK73B1H102KT +1005			
C682		-	CK73B1A104KT +1005			
C683,684		-	CK73B0J475KT(P) +1608			
C685		-	CC73CH1H200JT +1005			
C686		-	CK73B1H102KT +1005			
C687		-	CK73B1A104KT +1005			
C688,689		-	CK73B0J475KT(P) +1608			
C691		-	CK73B1H102KT +1005			
C692		-	CK73B1A104KT +1005			
C693,694		-	CK73B0J475KT(P) +1608			
C695		-	CK73B1A104KT +1005			
C696		-	CK73B1H102KT +1005			
C697		-	CK73B1A104KT +1005			
C698-701		-	CK73B0J475KT(P) +1608			
C702,703		-	CK73B1A104KT +1005			
C704,705		-	CK73B0J475KT(P) +1608			
C706,707		-	CK73B1H102KT +1005			
C708-710		-	CK73B1A104KT +1005			
C711-717		-	CK73B1H102KT +1005			
C718-723		-	CK73B1A104KT +1005			
C724,725		-	CK73B1H102KT +1005			
C726		-	CK73B1A104KT +1005			
C727-730		-	CK73B1H102KT +1005			
C731-734		-	CK73B1A104KT +1005			
C735-742		-	CK73B0J475KT(P) +1608			
C743-746		-	CK73B1E104KT +1608			
C747,748		-	CK73B0J475KT(P) +1608			
C749		-	CK73B1H102KT +1005			
C750,751		-	CK73B0J475KT(P) +1608			
C752,753		-	CK73B1A104KT +1005			
C754,755		-	CK73B0J475KT(P) +1608			
C756,757		-	CK73B1H102KT +1005			
C758-760		-	CK73B1A104KT +1005			
C761-767		-	CK73B1H102KT +1005			
C768-773		-	CK73B1A104KT +1005			
C774,775		-	CK73B1H102KT +1005			
C776		-	CK73B1A104KT +1005			
C777-780		-	CK73B1H102KT +1005			
C781-784		-	CK73B1A104KT +1005			
C785-792		-	CK73B0J475KT(P) +1608			
C793-796		-	CK73B1E104KT +1608			
C797,798		-	CK73B0J475KT(P) +1608			
C799		-	CK73B1H102KT +1005			
C801		-	CK73B0J475KT(P) +1608			
C802-804		-	CK73B1H102KT +1005			
C805		-	CK73B0J475KT(P) +1608			
C806-812		-	CK73B1H102KT +1005			
C813-827		-	CK73B0J475KT(P) +1608			
C828-830		-	CK73B1A104KT +1005			
C831,832		-	CK73B0J475KT(P) +1608			
C833		-	CK73B1A104KT +1005			
C834,835		-	CK73B0J475KT(P) +1608			
C836,837		-	CK73B1A104KT +1005			
C838,839		-	CK73B1E103KT(1005)			

Ref. No.	nsp	Part No.	Part Name	Remarks	Q'ty	New
C840-842		-	CK73B1E104KT +1608			
C843		-	CK73B1A104KT +1005			
C844-846		-	CK73B1E104KT +1608			
C847		-	CK73B1H102KT +1608			
C848		-	CK73B1A104KT +1005			
C849		-	CK73B1E103KT(1005)			
C850		-	CF73=1C103JT(ECHUX)			
C851		-	CF73=1C823JT(ECHUX)			
C852		-	CK73B1A104KT +1005			
C853,854		-	CC73CH1H120JT +1005			
C855-860		-	CK73B1A104KT +1005			
C861		-	CK73B0J475KT(P) +1608			
C862,863		-	CK73B1A104KT +1005			
C864-866		-	CK73B0J475KT(P) +1608			
C867,868		-	CC73CH1H101JT +1005			
C869		-	CK73B0J475KT(P) +1608			
C873		-	CK73B1E103KT(1005)			
C874,875		-	CK73B1A104KT +1005			
C876		-	CF73=1H821JT(ECHUX)			
C879		-	CK73B1A104KT +1005			
C880		-	CF73=1C392JT(ECHUX)			
C889-893		-	CK73B1A104KT +1005			
C901		-	CK73B1E103KT(1005)			
C902-904		-	CK73B0J475KT(P) +1608			
C905		-	CK73B1A104KT +1005			
C906,907		-	CK73B0J475KT(P) +1608			
C908		-	CK73B1A104KT +1005			
C909		-	CK73B1E103KT(1005)			
C910		-	CK73B0J475KT(P) +1608			
C911		-	CK73B1E103KT(1005)			
C912,913		-	CK73B1A104KT +1005			
C914		-	CK73B1E103KT(1005)			
C915-919		-	CK73B1A104KT +1005			
C920		-	CK73B1H102KT +1005			
C921,922		-	CK73B0J475KT(P) +1608			
C923-929		-	CK73B1A104KT +1005			
C930,931		-	CC73CH1H180JT +1005			
C932-937		-	CK73B1A104KT +1005			
C938		-	CK73B0J475KT(P) +1608			
C939-944		-	CK73B1A104KT +1005			
C945		-	CK73B1E103KT(1005)			
C946-948		-	CK73B1A104KT +1005			
C949		-	CK73B0J475KT(P) +1608			
CC101,102		-	CS77B1A100MT(NOJ)			
CC103,104		-	CK73B1H102KT +1005			
CC105,106		-	CK73B1E103KT(1005)			
CC107,108		-	CC73CH1H101JT +1005			
CC109,110		-	CK73B1H102KT +1005			
CC111,112		-	CK73B1E103KT(1005)			
CC113,114		-	CC73CH1H101JT +1005			
CC115		-	CK73B1E103KT(1005)			
CC116		-	CS77B1A100MT(NOJ)			
CC118		-	CK73B1H102KT +1005			
CC122		-	CC73CH1H101JT +1005			
CC123		-	CK73B1H102KT +1005			
CC125,126		-	CK73B1A104KT +1005			
CC129		-	CC73CH1H101JT +1005			
CC130,131		-	CK73B1H102KT +1005			
CC132		-	CC73CH1H101JT +1005			
CC201-208		-	CC73CH1H101JT +1005			
CC209		-	CC73CH1H5R0CT +1005			
CC210-215		-	CK73B1H102KT +1005			
CC216		-	CC73CH1H5R0CT +1005			
CC217,218		-	CK73B1H102KT +1005			
CC220,221		-	CK73B1A104KT +1005			

Ref. No.	nsp	Part No.	Part Name	Remarks	Q'ty	New
CC223,224		-	CK73B1A104KT +1005			
CC226-229		-	CK73B1A104KT +1005			
CC230		-	CS77B1A100MT(NOJ)			
CC231		-	CC73CH1H101JT +1005			
CC232,233		-	CK73B1E103KT(1005)			
CC234		-	CC73CH1H101JT +1005			
CC235		-	CK73B0J475KT(P) +1608			
CC236		-	CC73CH1H101JT +1005			
CC237		-	CK73B1E103KT(1005)			
CC238		-	CK73B1A104KT +1005			
CC239		-	CK73B1H102KT +1005			
CC241		-	CK73B0J475KT(P) +1608			
CC242		-	CK73B1A104KT +1005			
CC243,244		-	CK73B0J475KT(P) +1608			
CC245		-	CK73B1A104KT +1005			
CC246		-	CE67W0J101MT(P.CAP) +REF			
CC351,352		-	CS77B1A100MT(NOJ)			
CC353-356		-	CK73B1H332KT +1608			
CC357-364		-	CC73CH1H471JT +1608			
CC401		-	CS77B1A100MT(NOJ)			
CC402		-	CK73B1H102KT +1005			
CC403		-	CC73CH1H101JT +1005			
CC404-411		-	CK73B0J475KT(P) +1608			
CC412		-	CK73B1H102KT +1005			
CC413		-	CS77B1A100MT(NOJ)			
CC414		-	CK73B0J475KT(P) +1608			
CC415		-	CK73B1E104KT +1608			
CC416,417		-	CS77B1A100MT(NOJ)			
CC418		-	CK73B1E104KT +1608			
CC421		-	CE67C0J221MT(MVA) +REF			
CC422,423		-	CK73B1E104KT +1608			
CC426-433		-	CC73CH1H100DT +1608			
CC434		-	CS77B1A100MT(NOJ)			
CC501-503		-	CK73B1A104KT +1005			
CC504		-	CK73B1H102KT +1005			
CC505		-	CK73B1A104KT +1005			
CC506		-	CK73B1H102KT +1005			
CC507-517		-	CK73B1A104KT +1005			
CC518		-	CK73B1H102KT +1005			
CC519		-	CK73B1A104KT +1005			
CC520		-	CK73B0J475KT(P) +1608			
CC521-528		-	CK73B1A104KT +1005			
CC529,530		-	CC73CH1H150JT +1005			
CC531-534		-	CK73B1A104KT +1005			
CC535		-	CK73B1H102KT +1005			
CC536		-	CK73B1A104KT +1005			
CC537		-	CK73B0J475KT(P) +1608			
CC538		-	CK73B1H102KT +1005			
CC539		-	CK73B1A104KT +1005			
CC540		-	CC73CH1H100DT +1608			
CC541-544		-	CK73B1A104KT +1005			
CC545		-	CK73B1H102KT +1005			
CC546		-	CC73CH1H100DT +1608			
CC547,548		-	CK73B0J475KT(P) +1608			
CC549,550		-	CK73B1A104KT +1005			
CC554-563		-	CK73B0J475KT(P) +1608			
CC601		-	CK73B0J475KT(P) +1608			
CC602		-	CK73B1H102KT +1005			
CC603		-	CK73B1A104KT +1005			
CC604-606		-	CK73B0J475KT(P) +1608			
CC607		-	CK73B1H102KT +1005			
CC608		-	CK73B1A104KT +1005			
CC609,610		-	CK73B0J475KT(P) +1608			
CC611,612		-	CK73B1H102KT +1005			
CC613		-	CK73B1A104KT +1005			
CC614,615		-	CK73B0J475KT(P) +1608			

Ref. No.	nsp	Part No.	Part Name	Remarks	Q'ty	New
CC616		-	CK73B1H102KT +1005			
CC617-619		-	CK73B0J475KT(P) +1608			
CC620,621		-	CK73B1H102KT +1005			
CC622-624		-	CK73B0J475KT(P) +1608			
CC625-634		-	CK73B1H102KT +1005			
CC635-644		-	CK73B1A104KT +1005			
CC645-647		-	CK73B0J475KT(P) +1608			
CC648-657		-	CK73B1H102KT +1005			
CC658-667		-	CK73B1A104KT +1005			
CC668,669		-	CK73B0J475KT(P) +1608			
CC670		-	CK73B1A104KT +1005			
CC671,672		-	CK73B0J475KT(P) +1608			
CC673,674		-	CK73B1E103KT(1005)			
CC675		-	CC73CH1H101JT +1005			
CC676		-	CK73B1A104KT +1005			
CC677,678		-	CK73B0J475KT(P) +1608			
CC679		-	CK73B1H102KT +1005			
CC681,682		-	CK73B1A104KT +1005			
CC683		-	CC73CH1H101JT +1005			
CC684,685		-	CK73B0J475KT(P) +1608			
CC686		-	CS77B1A100MT(NOJ)			
CC687-689		-	CK73B0J475KT(P) +1608			
CC690		-	CE67W0J101MT(P.CAP) +REF			
CC691		-	CK73B1A104KT +1005			
CC694,695		-	CK73B0J475KT(P) +1608			
CC696,697		-	CK73B1A104KT +1005			
CC698		-	CK73B1H102KT +1005			
CC699		-	CS77B1A100MT(NOJ)			
CC700-704		-	CK73B0J475KT(P) +1608			
CC705		-	CS77B1A100MT(NOJ)			
CC706,707		-	CK73B0J475KT(P) +1608			
CC708		-	CK73B1E103KT(1005)			
CC709		-	CK73B1H102KT +1005			
CC710		-	CC73CH1H101JT +1005			
CC711-714		-	CC73CH1H470JT			
CC784-791		-	CK73B1H102KT +1005			
CC792,793		-	CK73B1A104KT +1005			
CC794,795		-	CK73B0J475KT(P) +1608			
CC951		-	CK73B1E103KT(1005)			
CC952		-	CK73B1H102KT +1005			
CC953,954		-	CC73CH1H101JT +1005			
CC955		-	CK73B1E104KT +1608			
CC956,957		-	CC73CH1H6R0DT +1005			
CC958,959		-	CK73B1H102KT +1005			
CC960		-	CC73CH1H121JT +1005			
CC961		-	CK73B1H102KT +1005			
CC962-964		-	CC73CH1H121JT +1005			
CC969		-	CK73B1H221KT +1005			
CC970		-	CK73B1A104KT +1005			
CC971		-	CK73B1H221KT +1005			
CC972-976		-	CK73B1A104KT +1005			
CC977		-	CC73CH1H101JT +1005			
CC978		-	CK73B1A104KT +1005			
CC979		-	CK73B1E103KT(1005)			
CC980		-	CK73B1H102KT +1005			
CC982,983		-	CK73B0J475KT(P) +1608			
CC984,985		-	CK73B1H102KT +1005			
CC986,987		-	CK73B0J475KT(P) +1608			
OTHERS PARTS GROUP						
CW042		-	4P SOCKET(9120)			
CW083		-	8P SOCKET(9120)			
CW093		-	9P SOCKET(9120)			
CW111		-	11P SOCKET(9120)			
CW114,115		-	11P SOCKET(9120)			
CW133		-	13P SOCKET(9120)			

Ref. No.	nsp	Part No.	Part Name	Remarks	Q'ty	New
CW144		-	14P SOCKET(9120)			
CW157		-	15P SOCKET(9120)			
CW159		-	15P SOCKET(9120)			
CX027		-	2P VH CONN BASE(L)			
CX028		-	2P VH CONN. BASE (L)			
CX060		-	6P ZR CON BASE			
CX407		-	MINI-PCI-CONNECTOR			
CX974		-	7P ZR CON BASE			
CY053		-	5P PH CON BASE(TAPE) +REF			
CY072		-	7P ZH-ZR CON.BASE-T			
CY124		-	12P ZR CON. BASE			
CY136		-	13P ZR CON BASE			
CY171		-	17P FFC BASE(9610SC)			
CY421		-	4P PH CON BASE(TAPE) +REF			
CY821		-	8P PH CON.BASE(TAPE)			
CY974		-	7P ZR CON BASE			
FB151		-	ZBFS5105-PT			
FB152		-	CHIP EMIFIL(11A121) +1608			
FB401-404		-	CHIP EMIFIL(11A121) +1608			
FB406-408		-	CHIP EMIFIL(11A121) +1608			
FB409		-	E.FIL(BLM21PG221SN1)+2125			
FB501		-	E.FIL(BLM21PG221SN1)+2125			
FB502		-	CHIP EMIFIL(11A121) +1608			
FB551		-	CHIP EMIFIL(11A121) +1608			
FB552		-	E.FIL(BLM21PG221SN1)+2125			
FB553,554		-	CHIP EMIFIL(11A121) +1608			
FB601		-	CHIP EMIFIL(11A121) +1608			
FB602		-	CHIP BEADS(18PG121) +1608			
FB603-614		-	CHIP EMIFIL(11A121) +1608			
FB701-704		-	CHIP EMIFIL(11A121) +1608			
FB751-754		-	CHIP EMIFIL(11A121) +1608			
JK101		00D 205 1362 009	XM/DT BUS CONNECTOR			
JK102		00D 205 1222 000	RJ-45 JACK(GND)			
JK401		00D 205 1333 009	8P MODULAR			
JK402		00D 205 1381 006	USB CONNECTOR			
JK501-503		00D 204 8719 005	19P HDMI CONNECTOR			
JK551		00D 204 8719 005	19P HDMI CONNECTOR			
JK701		00D 204 8719 005	19P HDMI CONNECTOR			
JK751		00D 204 8719 005	19P HDMI CONNECTOR			
L401		-	INDUCTOR 2.2UH(7E06N			
L601		-	INDUCTOR(FLC32C220K)+3216			
L602		-	INDUCTOR6.8uH(7E06N)-1			
L802		-	INDUCTOR(FLC32C220K)+3216			
L901		-	INDUCTOR(FLC32C220K)+3216			
RL701		-	RELAY(UB2-5NUN-L1)			
W101		-	M3 SCREW TERMINAL			
W553		-	M3 SCREW TERMINAL			
X101		-	FCX-03(24.576MHz)			
X102		-	FCX-02(45.1584MHz)			
X201		-	FCX-03(20.815MHz)			
X251		-	FCX-03(20.815MHz)			
X401		-	FCX-03(24.576MHz)			
X551		-	FCX-03(28.322MHZ)			
X801		-	FCX-03(28.6363MHz)			
X901		-	XTAL(13.5MHZ) +REF			
X902		-	FCX-03(12MHZ)			

00D1U-3800 A.VIDEO P.W.B. UNIT ASS'Y

Ref. No.	nsp	Part No.	Part Name	Remarks	Q'ty	New
SEMICONDUCTORS GROUP						
IC401-410		00D 263 1082 903	TK15420MTL +C			
IC411,412		00D 262 3445 901	TC4051BFT			
IC413,414		00D 262 3447 909	TC4053BFT			
IC415,416		00D 262 3446 900	TC4052BFT			
IC417,418		00D 262 3445 901	TC4051BFT			
IC419		00D 262 3446 900	TC4052BFT			
IC420,421		00D 262 3445 901	TC4051BFT			
IC505,506		00D 263 1197 908	BU4094BCFV-E2			
IC508		00D 263 1197 908	BU4094BCFV-E2			
IC510		00D 262 3717 901	LC74781M			
IC512		00D 262 3447 909	TC4053BFT			
IC601		00D 262 3551 002	NJW1321FP1			
IC602-604		00D 263 1225 906	NJM2581M-TE1			
IC701		00D 269 0240 003	GP1FMV31RK0F			
IC702		00D 263 0615 902	BA15218F-DXE2 +C			
IC703		00D 263 1273 903	NJM2566AV			
IC801-803		00D 269 0241 002	TORX142L(F)			
IC804,805		00D 269 0242 001	TOTX142L(F)			
IC806,807		00D 262 3077 900	TC74VHCU04FT +REF			
IC808,809		00D 262 3412 905	TC74VHC14FT			
IC810,811		00D 262 2944 908	SN74HC151APW-EL2 +REF			
IC812		00D 263 1197 908	BU4094BCFV-E2			
IC813,814		00D 262 2944 908	SN74HC151APW-EL2 +REF			
IC815		00D 263 1197 908	BU4094BCFV-E2			
IC902		00D 262 3571 901	HIN202EIBNZ-T			
TR401-403		00D 271 0312 905	KTA1504S-GR-RTK/P			
TR405-407		00D 269 0192 902	KRC102S-RTK/P (10K-10K)			
TR409-411		00D 269 0192 902	KRC102S-RTK/P (10K-10K)			
TR501		00D 269 0193 901	KRC104S-RTK/P (47K-47K)			
TR502		00D 271 0312 905	KTA1504S-GR-RTK/P			
TR503,504		00D 273 0464 901	KTC3875S-GR-RTK/P			
TR601		00D 269 0192 902	KRC102S-RTK/P (10K-10K)			
TR602		00D 271 0312 905	KTA1504S-GR-RTK/P			
TR603		00D 269 0192 902	KRC102S-RTK/P (10K-10K)			
TR604		00D 269 0144 905	DTC114YK-T146 +C			
TR605		00D 271 0312 905	KTA1504S-GR-RTK/P			
TR771		00D 269 0193 901	KRC104S-RTK/P (47K-47K)			
D401-403		00D 276 0794 900	KDS160-RTK/P			
D405-407		00D 276 0794 900	KDS160-RTK/P			
D501,502		00D 276 0794 900	KDS160-RTK/P			
D607		00D 276 0794 900	KDS160-RTK/P			
D608		00D 276 0773 905	RB501V-40 +2125			
D609,610		00D 276 0794 900	KDS160-RTK/P			
D801-803		00D 276 0738 908	KDS226-RTK/P (A-K)			
D901,902		00D 276 0833 900	ESD PROTECTOR(6802)			
ZD701-703		00D 276 0683 930	UDZS5.1B-TE17 +C			
ZD704,705		00D 276 0829 901	NSAD500F-T1B			
RESISTORS GROUP						
R401-412		00D 247 2019 928	RM73B--750FT			
R420-425		00D 247 2045 918	RM73B--151FT_1608			
R429-434		00D 247 2045 918	RM73B--151FT_1608			
R447-454		00D 247 2045 918	RM73B--151FT_1608			
R601-618		00D 247 2045 918	RM73B--151FT_1608			
R637,638		00D 247 2045 918	RM73B--151FT_1608			
R645		00D 247 2025 909	RM73B--821FT			
R649		00D 247 2045 905	RM73B--820FT_1608			
R650		00D 247 2045 947	RM73B--751FT_1608			
R651		00D 247 2045 905	RM73B--820FT_1608			

Ref. No.	nsp	Part No.	Part Name	Remarks	Q'ty	New
R655-657		00D 247 2045 918	RM73B--151FT_1608			
R675		00D 247 2045 921	RM73B--161FT_1608			
R676		00D 247 2045 918	RM73B--151FT_1608			
R677		00D 247 2045 921	RM73B--161FT_1608			
R678		00D 247 2045 918	RM73B--151FT_1608			
R679		00D 247 2045 921	RM73B--161FT_1608			
R680		00D 247 2045 918	RM73B--151FT_1608			
R681-685		00D 247 2045 921	RM73B--161FT_1608			
R686		00D 247 2045 918	RM73B--151FT_1608			
R687		00D 247 2045 921	RM73B--161FT_1608			
R688		00D 247 2045 918	RM73B--151FT_1608			
R689		00D 247 2045 921	RM73B--161FT_1608			
R690		00D 247 2045 918	RM73B--151FT_1608			
R691		00D 247 2045 921	RM73B--161FT_1608			
R692		00D 247 2045 918	RM73B--151FT_1608			
R701		00D 247 2019 928	RM73B--750FT			
R702		00D 247 2045 918	RM73B--151FT_1608			
R703		00D 247 2046 904	RM73B--181FT_1608			
R706		00D 247 2019 928	RM73B--750FT			
RR420		00D 247 2045 950	RM73B--182FT_1608			
RR421		00D 247 2027 907	RM73B--511FT +1608			
RR422		00D 247 2045 950	RM73B--182FT_1608			
RR428		00D 247 2045 963	RM73B--222FT_1608			
RR429		00D 247 2019 957	RM73B--681FT +1608			
RR430		00D 247 2045 963	RM73B--222FT_1608			
RR434		00D 247 2045 992	RM73B--273FT_1608			
RR435		00D 247 2045 976	RM73B--432FT_1608			
RR436		00D 247 2045 989	RM73B--243FT_1608			
RR557		00D 247 2019 928	RM73B--750FT			
RR560,561		00D 247 2019 928	RM73B--750FT			
RR618-620		00D 247 2045 918	RM73B--151FT_1608			
RR734		00D 247 2019 928	RM73B--750FT			
RR736		00D 247 2019 928	RM73B--750FT			
RR738		00D 247 2019 928	RM73B--750FT			
CAPACITORS GROUP						
C401-410	nsp	00D 257 0501 901	CK73B1H103KT (1608) +1608			
C413-422		00D 254 4522 932	CE04W1V330MT SMG/RE3			
C423-444	nsp	00D 257 0501 901	CK73B1H103KT (1608) +1608			
C445-450		00D 254 4536 928	CE04W1A101MT SMG/RE3			
C451-458	nsp	00D 257 0501 901	CK73B1H103KT (1608) +1608			
C459-462		00D 254 4522 932	CE04W1V330MT SMG/RE3			
C463-465	nsp	00D 257 0516 941	CK73B1E473KT +1608			
C467-469	nsp	00D 257 0516 954	CK73B1E104KT +1608			
C470	nsp	00D 257 0521 907	CK73B1A105KT +1608			
C471-473	nsp	00D 257 0516 941	CK73B1E473KT +1608			
C476	nsp	00D 257 0521 907	CK73B1A105KT +1608			
C478	nsp	00D 257 0521 907	CK73B1A105KT +1608			
C479-481	nsp	00D 257 0516 941	CK73B1E473KT +1608			
C501		00D 254 4524 985	CE04W1H100MT SMG/RE3			
C502	nsp	00D 257 0501 901	CK73B1H103KT (1608) +1608			
C506	nsp	00D 257 0501 901	CK73B1H103KT (1608) +1608			
C507,508		00D 254 4522 932	CE04W1V330MT SMG/RE3			
C518	nsp	00D 257 0501 901	CK73B1H103KT (1608) +1608			
C521		00D 254 4536 928	CE04W1A101MT SMG/RE3			
C522	nsp	00D 257 0516 954	CK73B1E104KT +1608			
C523		00D 254 4524 943	CE04W1H010MT SMG/RE3			
C524		00D 254 4522 932	CE04W1V330MT SMG/RE3			
C525	nsp	00D 257 0502 984	CC73CH1H6R0DT +1608			
C527	nsp	00D 257 0502 984	CC73CH1H6R0DT +1608			
C528	nsp	00D 257 0516 954	CK73B1E104KT +1608			
C529		00D 257 0504 911	CC73CH1H240JT			
C530	nsp	00D 257 0509 945	CK73B1H122KT +1608			
C531	nsp	00D 257 0516 954	CK73B1E104KT +1608			

Ref. No.	nsp	Part No.	Part Name	Remarks	Q'ty	New
C534	nsp	00D 257 0501 901	CK73B1H103KT (1608) +1608			
C535		00D 257 0504 911	CC73CH1H240JT			
C536		00D 254 4524 943	CE04W1H010MT SMG/RE3			
C537	nsp	00D 257 0516 954	CK73B1E104KT +1608			
C538		00D 254 4524 943	CE04W1H010MT SMG/RE3			
C546,547	nsp	00D 257 0501 901	CK73B1H103KT (1608) +1608			
C601-603	nsp	00D 257 0516 954	CK73B1E104KT +1608			
C604-607		00D 254 4524 985	CE04W1H100MT SMG/RE3			
C608	nsp	00D 257 0516 954	CK73B1E104KT +1608			
C609		00D 254 4524 985	CE04W1H100MT SMG/RE3			
C610	nsp	00D 257 0516 954	CK73B1E104KT +1608			
C611		00D 254 4524 985	CE04W1H100MT SMG/RE3			
C612	nsp	00D 257 0516 954	CK73B1E104KT +1608			
C613		00D 254 4524 985	CE04W1H100MT SMG/RE3			
C614	nsp	00D 257 0516 954	CK73B1E104KT +1608			
C615		00D 254 4524 985	CE04W1H100MT SMG/RE3			
C616	nsp	00D 257 0516 954	CK73B1E104KT +1608			
C617		00D 254 4524 985	CE04W1H100MT SMG/RE3			
C618	nsp	00D 257 0516 954	CK73B1E104KT +1608			
C619,620		00D 254 4538 942	CE04W1C101MT SMG/RE3			
C621-629	nsp	00D 257 0516 954	CK73B1E104KT +1608			
C631	nsp	00D 257 0516 954	CK73B1E104KT +1608			
C633	nsp	00D 257 0516 954	CK73B1E104KT +1608			
C635		00D 254 4524 943	CE04W1H010MT SMG/RE3			
C636-644		00D 254 4536 928	CE04W1A101MT SMG/RE3			
C645-654	nsp	00D 257 0501 901	CK73B1H103KT (1608) +1608			
C655		00D 254 4522 932	CE04W1V330MT SMG/RE3			
C656	nsp	00D 257 0501 901	CK73B1H103KT (1608) +1608			
C657		00D 254 4522 932	CE04W1V330MT SMG/RE3			
C658	nsp	00D 257 0501 901	CK73B1H103KT (1608) +1608			
C659		00D 254 4522 932	CE04W1V330MT SMG/RE3			
C660-665	nsp	00D 257 0501 901	CK73B1H103KT (1608) +1608			
C666	nsp	00D 257 0516 941	CK73B1E473KT +1608			
C668	nsp	00D 257 0516 941	CK73B1E473KT +1608			
C670	nsp	00D 257 0507 934	CC73CH1H221JT +1608			
C671	nsp	00D 257 0501 901	CK73B1H103KT (1608) +1608			
C672		00D 254 4522 932	CE04W1V330MT SMG/RE3			
C673	nsp	00D 257 0501 901	CK73B1H103KT (1608) +1608			
C674		00D 254 4522 932	CE04W1V330MT SMG/RE3			
C675	nsp	00D 257 0501 901	CK73B1H103KT (1608) +1608			
C676		00D 254 4522 932	CE04W1V330MT SMG/RE3			
C677-683	nsp	00D 257 0501 901	CK73B1H103KT (1608) +1608			
C684	nsp	00D 257 0516 941	CK73B1E473KT +1608			
C685	nsp	00D 257 0521 907	CK73B1A105KT +1608			
C701-703	nsp	00D 257 0501 901	CK73B1H103KT (1608) +1608			
C704		00D 254 4196 944	CE04W1H010MT (SRA)			
C705-707		00D 257 0521 949	CK73B1A474KT			
C708	nsp	00D 257 0501 901	CK73B1H103KT (1608) +1608			
C709,710	nsp	00D 257 0507 934	CC73CH1H221JT +1608			
C711-713	nsp	00D 257 0501 901	CK73B1H103KT (1608) +1608			
C715	nsp	00D 257 0501 901	CK73B1H103KT (1608) +1608			
C716		00D 254 4196 944	CE04W1H010MT (SRA)			
C718		00D 254 4305 968	CE04W1H010MT(SRE)			
C719	nsp	00D 257 0506 951	CC73CH1H101JT +1608			
C721	nsp	00D 257 0516 954	CK73B1E104KT +1608			
C722	nsp	00D 257 0506 993	CC73CH1H151JT +1608			
C723,724		00D 254 4305 968	CE04W1H010MT(SRE)			
C725	nsp	00D 257 0506 951	CC73CH1H101JT +1608			
C726	nsp	00D 257 0506 993	CC73CH1H151JT +1608			
C728	nsp	00D 257 0516 954	CK73B1E104KT +1608			
C729,730		00D 254 4305 968	CE04W1H010MT(SRE)			
C731	nsp	00D 257 0516 954	CK73B1E104KT +1608			
C733	nsp	00D 257 0501 901	CK73B1H103KT (1608) +1608			
C734	nsp	00D 257 0509 929	CK73B1H102KT +1608			
C736	nsp	00D 257 0516 954	CK73B1E104KT +1608			
C739-741	nsp	00D 257 0516 954	CK73B1E104KT +1608			

Ref. No.	nsp	Part No.	Part Name	Remarks	Q'ty	New
C742		00D 254 4645 903	CE67C0J221MT(MVA) +REF			
C804,805		00D 254 4522 932	CE04W1V330MT SMG/RE3			
C806-813	nsp	00D 257 0516 954	CK73B1E104KT +1608			
C814-820		00D 254 4524 972	CE04W1H4R7MT SMG/RE3			
C821		00D 254 4536 928	CE04W1A101MT SMG/RE3			
C822-831	nsp	00D 257 0516 954	CK73B1E104KT +1608			
C934	nsp	00D 257 0506 951	CC73CH1H101JT +1608			
C935	nsp	00D 257 0501 901	CK73B1H103KT (1608) +1608			
C936	nsp	00D 257 0516 954	CK73B1E104KT +1608			
C937	nsp	00D 257 0506 951	CC73CH1H101JT +1608			
C938	nsp	00D 257 0501 901	CK73B1H103KT (1608) +1608			
C939	nsp	00D 257 0516 954	CK73B1E104KT +1608			
C941,942	nsp	00D 257 0506 951	CC73CH1H101JT +1608			
C943		00D 254 4524 985	CE04W1H100MT SMG/RE3			
C944-948	nsp	00D 257 0516 954	CK73B1E104KT +1608			
CC402		00D 254 4524 985	CE04W1H100MT SMG/RE3			
CC403,404	nsp	00D 257 0501 901	CK73B1H103KT (1608) +1608			
CC702	nsp	00D 257 0501 901	CK73B1H103KT (1608) +1608			
CC707		00D 254 4524 985	CE04W1H100MT SMG/RE3			
CC709	nsp	00D 257 0501 901	CK73B1H103KT (1608) +1608			
CC712		00D 254 4536 928	CE04W1A101MT SMG/RE3			
CC714		00D 254 4536 928	CE04W1A101MT SMG/RE3			
CC715	nsp	00D 257 0516 954	CK73B1E104KT +1608			
CC716-718		00D 254 4524 985	CE04W1H100MT SMG/RE3			
CC719	nsp	00D 257 0516 954	CK73B1E104KT +1608			
CC720	nsp	00D 257 0501 901	CK73B1H103KT (1608) +1608			
CC721-723		00D 254 4536 928	CE04W1A101MT SMG/RE3			
CC724		00D 254 4327 904	CE04W0J102MT(SMG)			
OTHERS PARTS GROUP						
CW054	nsp	00D 205 0885 008	5P CON.SOCKET TUC-P			
CW082	nsp	00D 205 0885 095	8P CON.SOCKET(TUC-P)			
CW092	nsp	00D 205 1325 091	9P SOCKET(9120)			
CW102	nsp	00D 205 0885 053	10P CON.SOCKET TUC-P			
CW112,113	nsp	00D 205 1326 016	11P SOCKET(9120)			
CW132	nsp	00D 205 1326 032	13P SOCKET(9120)			
CW962	nsp	00D 205 0942 019	6P CON.SOCKET(TUC-P)			
CX044	nsp	00D 205 0884 083	4P CON.BASE(TUC-P)			
CX053	nsp	00D 205 0863 952	5P PH CON.BASE(L) +REF			
CX054	nsp	00D 205 0884 009	5P CON.BASE TUC-P			
CX072	nsp	00D 205 0343 074	7P CONN.BASE(KR-PH)			
CX092,093	nsp	00D 205 1323 093	9P PIN HEADER(9120)			
CX112-115	nsp	00D 205 1324 018	11P PIN HEADER(9120)			
CX132,133	nsp	00D 205 1324 034	13P PIN HEADER(9120)			
CX171		00D 205 1100 038	17P FFC BASE(P=1)			
CX903	nsp	00D 205 1305 008	9P D-SUB CONNECTOR			
CX960	nsp	00D 205 0943 018	6P CON.BASE(TUC-P)			
CY271		00D 205 1329 000	27P FFC BASE(9610SB)			
FB501		00D 235 0049 900	BEADS INDUCTOR TAPE			
FB701		00D 235 0147 909	E.FIL(BLM21PG221SN1)+2125			
FB901,902	nsp	00D 247 2018 903	RM73B--0R0KT +1608			
JK401-403		00D 204 8745 008	6P S&PIN JACK(AU)			
JK404		00D 204 8736 004	1P-PIN-JACK(FG/AU)			
JK601,602		00D 204 8743 000	6P PIN JACK(FG/AU-GBR)			
JK701		00D 205 0906 000	1P S-TERMINAL(AU.SW)			
JK703		00D 204 8260 004	MINI JACK			
JK704		00D 205 1381 006	USB CONNECTOR			
JK707		00D 204 8730 000	3P PINJACK(BK/AU)			
JK708		00D 204 8743 000	6P PIN JACK(FG/AU-GBR)			
JK801		00D 204 8744 009	3P PIN JACK(FG/AU-ORG)			

Ref. No.	nsp	Part No.	Part Name	Remarks	Q'ty	New
L501		00D 235 0150 941	LQH32MN330J23L			
RL601,602		00D 214 0228 902	RELAY(EE2-12N35) +REF			
W701-703	nsp	00D 205 1034 007	M3 SCREW TERMINAL			
X501		00D 399 0739 019	X'TAL(14.32M-RIBER)			

00D1U-3801 P.AMP P.W.B. UNIT ASS'Y

Ref. No.	nsp	Part No.	Part Name	Remarks	Q'ty	New
SEMICONDUCTORS GROUP						
IC801 IC802		00D 262 3676 903 00D 262 2580 906	TC74VHCT08AF(E,K,F) CXA1511M +C			
TR101		00D 271 0301 903	KTA1268-BL-AT/P			
TR102-108 TR109-117 TR121 TR123 TR125		00D 273 0458 904 00D 269 0184 907 00D 269 0192 902 00D 269 0192 902 00D 269 0192 902	KTC3200-BL-AT/P KRA102S-RTK/P (10K-10K) KRC102S-RTK/P (10K-10K) KRC102S-RTK/P (10K-10K) KRC102S-RTK/P (10K-10K)			
TR127 TR129 TR131 TR133 TR135		00D 269 0192 902 00D 269 0192 902 00D 269 0192 902 00D 269 0192 902 00D 269 0192 902	KRC102S-RTK/P (10K-10K) KRC102S-RTK/P (10K-10K) KRC102S-RTK/P (10K-10K) KRC102S-RTK/P (10K-10K) KRC102S-RTK/P (10K-10K)			
TR137 TR147 TR149 TR152 TR153		00D 269 0192 902 00D 271 0301 903 00D 273 0464 901 00D 273 0464 901 00D 271 0312 905	KRC102S-RTK/P (10K-10K) KTA1268-BL-AT/P KTC3875S-GR-RTK/P KTC3875S-GR-RTK/P KTA1504S-GR-RTK/P			
TR155 TR157 TR158 TR161,162 TR165		00D 273 0464 901 00D 273 0464 901 00D 271 0312 905 00D 273 0464 901 00D 271 0312 905	KTC3875S-GR-RTK/P KTC3875S-GR-RTK/P KTA1504S-GR-RTK/P KTC3875S-GR-RTK/P KTA1504S-GR-RTK/P			
TR166 TR705-728 TR801 TR802,803 TR804		00D 273 0464 901 00D 273 0460 905 00D 273 0464 901 00D 269 0191 903 00D 269 0192 902	KTC3875S-GR-RTK/P KTC2875-B-RTK/P KTC3875S-GR-RTK/P KRA104S-RTK/P (47K-47K) KRC102S-RTK/P (10K-10K)			
TR805 TR806 TR807 TR808 TR809		00D 271 0326 904 00D 271 0316 901 00D 269 0193 901 00D 271 0316 901 00D 269 0193 901	2SA1954(B)-TE85L KTA1042D-Y-RTF/P KRC104S-RTK/P (47K-47K) KTA1042D-Y-RTF/P KRC104S-RTK/P (47K-47K)			
D101-121 D147 D151-154 D166-174		00D 276 0401 905 00D 276 0683 930 00D 276 0338 007 00D 276 0401 905	1SS133T77 (TAPE) UDZS5.1B-TE17 +C S4VB20F 1SS133T77 (TAPE)			
D801,802 D803-805 D806 ZD101-114		00D 276 0794 900 00D 276 0833 900 00D 276 0794 900 00D 276 0643 970	KDS160-RTK/P ESD PROTECTOR(6802) KDS160-RTK/P MTZJ4.7A T77			
ZD801 ZD802,803		00D 276 0798 906 00D 276 0683 998	UDZS6.2B-TE17 UDZS16B-TE17 +C			
RESISTORS GROUP						
R108-121 R122-149 R171 R193 R215,216		00D 244 2050 904 00D 244 2671 956 00D 244 2051 961 00D 241 2387 940 00D 243 2039 032	RS14B3A220JNBST(S) RS14B3DR47JNBST(S) RS14B3A101JNBST(S) RD14B2E4R7JNBST RW99=3H0R1K			
R217-223 R224-230 R233-235 R236-239		00D 244 2682 945 00D 244 2671 901 00D 244 2055 996 00D 244 2052 960	RS14B3D2R2JNBST(S) RS14B3D100JNBST(S) RS14B3A122JNBST(S) RS14B3A221JNBST(S)			
VR101-107		00D 211 6131 939	V06PB331T			
CAPACITORS GROUP						

Ref. No.	nsp	Part No.	Part Name	Remarks	Q'ty	New
C101-107		00D 254 4574 922	CE04W1H101MT(RA3)			
C108		00D 254 4587 715	CE04W2A101MC(RA3)			
C110-123		00D 254 4527 982	CE04W2A100MT SMG/RE3			
C181	nsp	00D 257 0501 901	CK73B1H103KT (1608) +1608			
C197		00D 254 4525 913	CE04W1H470MT SMG/RE3			
C199	nsp	00D 257 0516 954	CK73B1E104KT +1608			
C200		00D 254 4533 947	CE04W0J331MT SMG/RE3			
C201		00D 257 0043 906	CK73U2J2E221JT(2125)			
C202		00D 254 4524 985	CE04W1H100MT SMG/RE3			
C203	nsp	00D 257 0516 954	CK73B1E104KT +1608			
C204		00D 257 0043 906	CK73U2J2E221JT(2125)			
C205		00D 254 4533 947	CE04W0J331MT SMG/RE3			
C206		00D 257 0043 906	CK73U2J2E221JT(2125)			
C207	nsp	00D 257 0516 954	CK73B1E104KT +1608			
C208		00D 254 4533 947	CE04W0J331MT SMG/RE3			
C209		00D 257 0043 906	CK73U2J2E221JT(2125)			
C210-216		00D 255 1279 919	CQ93M1H473JT(B)			
C217		00D 254 4524 943	CE04W1H010MT SMG/RE3			
C218,219		00D 254 6259 009	CE68W==183M(DL)			
C220-226		00D 255 1264 982	CQ93M1H472JT(B)			
C227,228		00D 257 0043 906	CK73U2J2E221JT(2125)			
C229,230		00D 256 1064 907	CF93A2E334KT(B)L=16			
C231	nsp	00D 257 0509 929	CK73B1H102KT +1608			
C232,233		00D 257 0043 906	CK73U2J2E221JT(2125)			
C234		00D 256 1064 907	CF93A2E334KT(B)L=16			
C235	nsp	00D 257 0509 929	CK73B1H102KT +1608			
C236		00D 257 0043 906	CK73U2J2E221JT(2125)			
C237-241	nsp	00D 257 0509 929	CK73B1H102KT +1608			
C242,243		00D 255 1264 982	CQ93M1H472JT(B)			
C244,245	nsp	00D 257 0509 929	CK73B1H102KT +1608			
C246,247		00D 255 1264 982	CQ93M1H472JT(B)			
C248,249	nsp	00D 257 0509 929	CK73B1H102KT +1608			
C250,251		00D 257 0043 906	CK73U2J2E221JT(2125)			
C705-716		00D 254 4524 985	CE04W1H100MT SMG/RE3			
C718-723	nsp	00D 257 0516 954	CK73B1E104KT +1608			
C724-735		00D 254 4524 985	CE04W1H100MT SMG/RE3			
C803,804	nsp	00D 257 0516 954	CK73B1E104KT +1608			
C805	nsp	00D 257 0509 929	CK73B1H102KT +1608			
C806	nsp	00D 257 0516 954	CK73B1E104KT +1608			
C807		00D 254 4193 905	CE04W1C100MT (SRA)			
C808	nsp	00D 257 0509 929	CK73B1H102KT +1608			
C809	nsp	00D 257 0516 954	CK73B1E104KT +1608			
C810	nsp	00D 257 0509 929	CK73B1H102KT +1608			
C811		00D 254 4196 944	CE04W1H010MT (SRA)			
C812	nsp	00D 257 0506 951	CC73CH1H101JT +1608			
C813	nsp	00D 257 0501 901	CK73B1H103KT (1608) +1608			
C814		00D 254 4538 926	CE04W1C330MT SMG/RE3			
C815	nsp	00D 257 0501 901	CK73B1H103KT (1608) +1608			
C816,817	nsp	00D 257 0516 954	CK73B1E104KT +1608			
C818,819	nsp	00D 257 0507 934	CC73CH1H221JT +1608			
C820,821	nsp	00D 257 0516 954	CK73B1E104KT +1608			
C822	nsp	00D 257 0509 929	CK73B1H102KT +1608			
C823	nsp	00D 257 0516 954	CK73B1E104KT +1608			
C824	nsp	00D 257 0509 929	CK73B1H102KT +1608			
C825	nsp	00D 257 0516 954	CK73B1E104KT +1608			
C826		00D 257 0008 983	CK73B1H102KT +2125			
C827	nsp	00D 257 0035 901	CK73B1H104KT +2125			
OTHERS PARTS GROUP						
CW040	nsp	00D 203 6643 002	4P VH-SDN CON.CORD			
CW069	nsp	00D 205 0942 019	6P CON.SOCKET(TUC-P			
CW142,143	nsp	00D 205 0885 011	14P CON.SOCKET TUC-P			
CW162	nsp	00D 205 0942 051	16P CON.SOCKET TUC-P			
CW960	nsp	00D 205 0942 019	6P CON.SOCKET(TUC-P			

Ref. No.	nsp	Part No.	Part Name	Remarks	Q'ty	New
CX040	nsp	00D 205 0653 049	4P VH CON.BASE			
CX041	nsp	00D 205 0884 083	4P CON.BASE(TUC-P)			
CX052	nsp	00D 205 0653 052	5P VH CONNECTOR BASE			
CX061-066	nsp	00D 205 0943 018	6P CON.BASE(TUC-P)			
CX071	nsp	00D 205 0943 021	7P CON.BASE(TUC-P)			
CX077	nsp	00D 205 0943 021	7P CON.BASE(TUC-P)			
CX091	nsp	00D 205 0884 038	9P CON.BASE TUC-P			
CX110	nsp	00D 205 0884 067	11P CON.BASE TUC-P			
CX111	nsp	00D 205 1324 018	11P PIN HEADER(9120)			
CX144	nsp	00D 205 1324 047	14P PIN HEADER(9120)			
CX151,152	nsp	00D 205 0884 041	15P CON.BASE TUC-P			
CX157	nsp	00D 205 1324 050	15P PIN HEADER(9120)			
FB801-813	nsp	00D 247 0018 905	RM73B--0R0KT +2125			
JK101		00D 205 1327 002	4P SP TERMINAL			
JK102		00D 205 1328 001	6P SP TERMINAL			
JK103		00D 205 1437 002	8P SP TERMINAL			
JK104		00D 205 1327 002	4P SP TERMINAL			
JK801		00D 204 8424 002	H/PHONE JACK			
JK802,803		00D 204 8260 004	MINI JACK			
JK804,805		00D 204 8649 007	MINI JACK (RD)			
L101-107		00D 235 0191 007	INDUCTOR(1MH)			
RL101-107		00D 214 0217 007	RELAY(DS24D2)			
RL108		00D 214 0223 004	RELAY(EC2-24N35)			
RL109		00D 214 0217 007	RELAY(DS24D2)			
ST701,702	nsp	00D 205 0452 017	STYLE PIN			
TP101	nsp	00D 205 0190 065	6P NH CONNECTOR BASE			
TP102	nsp	00D 205 0190 081	8P NH CONNECTOR BASE			
TP103	nsp	00D 205 0190 036	3P NH CONNECTOR BASE			
W105	nsp	00D 001 0268 007	1P WIRE			
W701	nsp	00D 001 0268 010	1P WIRE			
W801,802	nsp	00D 205 1034 007	M3 SCREW TERMINAL			

00D1U-3802 P.SUPPLY P.W.B. UNIT ASS'Y

	Ref. No.	nsp	Part No.	Part Name	Remarks	Q'ty	New
SEMICONDUCTORS GROUP							
	TR401,402		00D 273 0468 907	KTC3199-GR-AT/P			
	TR803		00D 271 0301 903	KTA1268-BL-AT/P			
	TR805-811		00D 271 0301 903	KTA1268-BL-AT/P			
	TR813-816		00D 271 0301 903	KTA1268-BL-AT/P			
	TR817-819		00D 273 0471 907	KTC3206-Y-AT/P			
	TR821-824		00D 273 0471 907	KTC3206-Y-AT/P			
	TR825-827		00D 271 0314 903	KTA1024-Y-AT/P			
	TR829-832		00D 271 0314 903	KTA1024-Y-AT/P			
	TR833-835		00D 273 0471 907	KTC3206-Y-AT/P			
	TR837-840		00D 273 0471 907	KTC3206-Y-AT/P			
	TR901,902		00D 271 0301 903	KTA1268-BL-AT/P			
	D401		00D 276 0704 903	1SR35-400A(T93X)			
	D403-410		00D 276 0704 903	1SR35-400A(T93X)			
	D411,412		00D 276 0401 905	1SS133T77 (TAPE)			
	D413-415		00D 276 0704 903	1SR35-400A(T93X)			
	D417		00D 276 0305 001	S4VB20			
	D501		00D 276 0305 001	S4VB20			
	D504		00D 276 0305 001	S4VB20			
	D505,506		00D 276 0704 903	1SR35-400A(T93X)			
	D801-803		00D 276 0401 905	1SS133T77 (TAPE)			
	D805-811		00D 276 0401 905	1SS133T77 (TAPE)			
	D813-819		00D 276 0401 905	1SS133T77 (TAPE)			
	D821-826		00D 276 0401 905	1SS133T77 (TAPE)			
RESISTORS GROUP							
	R404		00D 244 2050 904	RS14B3A220JNBST(S)			
	R405		00D 244 2064 974	RS14B3A330JNBST(S)			
	R410		00D 242 2009 001	RC1/2 225K B(UL)			
	R825-827		00D 241 2379 987	RD14B2E102JNBST			
	R829-832		00D 241 2379 987	RD14B2E102JNBST			
	R849-851		00D 241 2379 987	RD14B2E102JNBST			
	R853-856		00D 241 2379 987	RD14B2E102JNBST			
	R865-867		00D 244 2671 914	RS14B3D153JNBST(S)			
	R869-872		00D 244 2671 914	RS14B3D153JNBST(S)			
	R873-875		00D 241 2378 946	RD14B2E271JNBST			
	R877-883		00D 241 2378 946	RD14B2E271JNBST			
	R885-891		00D 241 2378 946	RD14B2E271JNBST			
	R893-896		00D 241 2378 946	RD14B2E271JNBST			
CAPACITORS GROUP							
	C402		00D 254 4524 943	CE04W1H010MT SMG/RE3			
	C403		00D 254 4442 708	CE04W1C682MC (SMG)			
	C405		00D 254 4524 943	CE04W1H010MT SMG/RE3			
	C407		00D 255 1279 951	CQ93M1H104JT(B)			
	C408,409		00D 253 8022 707	CK45F2EAC103MC			
	C410		00D 255 1279 951	CQ93M1H104JT(B)			
	C411		00D 254 4523 724	CE04W1V472MC SMG/RE3			
	C412		00D 255 1279 951	CQ93M1H104JT(B)			
	C501		00D 256 1042 903	CF93A2E104KT			
	C502,503		00D 255 1279 951	CQ93M1H104JT(B)			
	C504,505		00D 254 6258 000	CE68W1V822M			
	C513-515		00D 255 1279 951	CQ93M1H104JT(B)			
	C516,517		00D 254 4428 706	CE04W1V222MC (SMG)			
	C518,519		00D 254 4761 706	CE04W1C153MC(SMQ)			
	C801-803		00D 254 4524 985	CE04W1H100MT SMG/RE3			
	C804		00D 254 4524 943	CE04W1H010MT SMG/RE3			
	C805-808		00D 254 4524 985	CE04W1H100MT SMG/RE3			
	C809-811		00D 255 1273 944	CQ93M1H221KT(B)			
	C813-816		00D 255 1273 944	CQ93M1H221KT(B)			
	C817-819		00D 255 1273 986	CQ93M1H471JT(B)			

Ref. No.	nsp	Part No.	Part Name	Remarks	Q'ty	New
C821-824		00D 255 1273 986	CQ93M1H471JT(B)			
C825-827		00D 255 1264 953	CQ93M1H272JT(B)			
C829-832		00D 255 1264 953	CQ93M1H272JT(B)			
C833-835		00D 253 4552 909	CC45SL2H330JT			
C837-840		00D 253 4552 909	CC45SL2H330JT			
C841-843		00D 254 4579 707	CE04W1H221MC(RA3)			
C845-848		00D 254 4579 707	CE04W1H221MC(RA3)			
C857-859		00D 253 4550 901	CC45SL2H050CT			
C861-864		00D 253 4550 901	CC45SL2H050CT			
C865-867		00D 253 4551 900	CC45SL2H470JT			
C869-872		00D 253 4551 900	CC45SL2H470JT			
C873-875		00D 255 1275 942	CQ93M2A221KT(B)			
C877-880		00D 255 1275 942	CQ93M2A221KT(B)			
OTHERS PARTS GROUP						
CW041	nsp	00D 205 0885 082	4P CON.SOCKET(TUC-P)			
CW051	nsp	00D 205 0885 008	5P CON.SOCKET TUC-P			
CW061-066	nsp	00D 205 0942 019	6P CON.SOCKET(TUC-P			
CW077	nsp	00D 205 0942 022	7P CON.SOCKET(TUC-P			
CW091	nsp	00D 205 0885 037	9P CON.SOCKET TUC-P			
CW095-097	nsp	00D 205 0885 037	9P CON.SOCKET TUC-P			
CW119	nsp	00D 205 0375 013	11P CON.BASE(KR-PH)			
CW123	nsp	00D 205 0375 026	12P CONN.BASE(KR-PH)			
CW135	nsp	00D 205 0942 006	13P CON.SOCKET(TUC-P			
CW151	nsp	00D 205 0885 040	15P CON.SOCKET TUC-P			
CW191	nsp	00D 205 1091 008	19P CON.BASE(TWG-P)			
CW192	nsp	00D 205 1092 007	19P CON.PLUG(TWG-P)			
CW945	nsp	00D 205 0885 082	4P CON.SOCKET(TUC-P)			
CX021	nsp	00D 205 0581 056	2P VH CONNECTOR BASE			
CX022	nsp	00D 205 0581 069	2P VH CON BASE (Red)			
CX023	nsp	00D 205 0581 001	2P VH CON BASE (White)			
CX025	nsp	00D 205 0581 085	2P VH CON BASE (Blue)			
CX033	nsp	00D 205 0277 030	3P EH CON BASE (RD)			
CX034	nsp	00D 205 0276 031	3P EH CON BASE (BU)			
CX046	nsp	00D 205 0277 043	4P EH CONN. BASE(RD)			
CX070	nsp	00D 205 0343 074	7P CONN.BASE(KR-PH)			
CX081	nsp	00D 205 0884 096	8P CON BASE(TUC-P)			
CX084	nsp	00D 205 0884 096	8P CON BASE(TUC-P)			
CX094	nsp	00D 205 0884 038	9P CON.BASE TUC-P			
CX124	nsp	00D 205 0762 024	12P ZR CON. BASE			
CX143	nsp	00D 205 0884 012	14P CON.BASE TUC-P			
CX962	nsp	00D 205 0943 018	6P CON.BASE(TUC-P)			
CX965	nsp	00D 205 0943 018	6P CON.BASE(TUC-P)			
CY068	nsp	00D 205 0943 018	6P CON.BASE(TUC-P)			
CY155	nsp	00D 205 0884 041	15P CON.BASE TUC-P			
CY156	nsp	00D 205 1324 050	15P PIN HEADER(9120)			
CY192	nsp	00D 205 1091 008	19P CON.BASE(TWG-P)			
⚠ F401		00D 206 1086 016	FUSE 10A (UL/CSA/J)			
⚠ F402		00D 206 1046 014	FUSE 8A			
⚠ F403		00D 206 1039 076	FUSE 2.5A			
⚠ F501,502		00D 206 1039 089	FUSE 3.15A			
⚠ F503,504		00D 206 1039 076	FUSE 2.5A			
FF401	nsp	00D EP- 5870	FUSE HOLDER(DPS1)			
FF403,404	nsp	00D 202 0040 909	FUSE CLIP(TAPE)			
FF501-504	nsp	00D 202 0040 909	FUSE CLIP(TAPE)			
FH401	nsp	00D EP- 5870	FUSE HOLDER(DPS1)			
FH403,404	nsp	00D 202 0040 909	FUSE CLIP(TAPE)			
FH501-504	nsp	00D 202 0040 909	FUSE CLIP(TAPE)			
⚠ JK401		00D 203 3976 002	AC OUTLET(2P)			

	Ref. No.	nsp	Part No.	Part Name	Remarks	Q'ty	New
	RL401 RL403		00D 214 0241 002 00D 214 0241 002	RELAY DL1SU TV-8 RELAY DL1SU TV-8			
	ST101-103	nsp	00D 205 0452 017	STYLE PIN			
⚠	T402		00D 233 6576 109	STANDBY TRANS(43E3)			
	W801	nsp	00D 205 1034 007	M3 SCREW TERMINAL			
	W802,803	nsp	00D 205 1034 010	M3 SCREW TERMINAL			
		nsp	00D 001 0057 027	VINYL WIRE			
		nsp	00D 417 0687 003	RADIATOR			
		nsp	ORD 470 0014 020	3X16 CPS SW W ZNP			

00D1U-3803 FRONT P.W.B. UNIT ASS'Y

	Ref. No.	nsp	Part No.	Part Name	Remarks	Q'ty	New
SEMICONDUCTORS GROUP							
⚠	IC101		00D 499 0318 002	GP1UM271XKVF			
	IC102		00D 268 0073 905	ICP-N15T			
	IC601		00D 263 1274 009	NJM2396F12			
	IC602		00D 263 1100 005	KIA7805API-U/P			
	IC603		00D 279 0034 067	PTH9M04BB222TS2F333			
	IC608		00D 263 1163 000	KIA78R09PI-U/P			
	IC609		00D 263 1092 003	BA05T			
	IC610		00D 263 0554 005	NJM7905FA			
	TR101		00D 269 0191 903	KRA104S-RTK/P (47K-47K)			
	TR102		00D 274 0212 907	2SD1782KT146			
	TR103		00D 269 0193 901	KRC104S-RTK/P (47K-47K)			
	TR106		00D 273 0494 900	KTC2022D-Y-RTF/P			
	TR112,113		00D 274 0212 907	2SD1782KT146			
	TR301		00D 269 0192 902	KRC102S-RTK/P (10K-10K)			
	TR302,303		00D 271 0312 905	KTA1504S-GR-RTK/P			
	TR304		00D 269 0193 901	KRC104S-RTK/P (47K-47K)			
	TR371-373		00D 269 0192 902	KRC102S-RTK/P (10K-10K)			
	TR601		00D 273 0468 907	KTC3199-GR-AT/P			
	TR602		00D 271 0311 906	KTA1267-GR-AT/P			
	TR603		00D 274 0198 005	KTD998-O-U/P			
	TR604		00D 272 0158 007	KTB778-O-U/P			
	TR605		00D 273 0468 907	KTC3199-GR-AT/P			
	TR606		00D 271 0311 906	KTA1267-GR-AT/P			
	TR607		00D 272 0158 007	KTB778-O-U/P			
	TR608		00D 274 0198 005	KTD998-O-U/P			
	TR609		00D 269 0192 902	KRC102S-RTK/P (10K-10K)			
	TR610		00D 271 0313 904	KTA1281-Y-AT/P			
	TR615		00D 273 0464 901	KTC3875S-GR-RTK/P			
	TR619		00D 271 0313 904	KTA1281-Y-AT/P			
	TR620		00D 269 0192 902	KRC102S-RTK/P (10K-10K)			
	TR626		00D 271 0313 904	KTA1281-Y-AT/P			
	TR627		00D 269 0192 902	KRC102S-RTK/P (10K-10K)			
	TR628		00D 273 0469 906	KTC3209-Y-AT/P			
	TR629		00D 271 0311 906	KTA1267-GR-AT/P			
	TR630		00D 272 0158 007	KTB778-O-U/P			
	TR631		00D 274 0198 005	KTD998-O-U/P			
	TR632		00D 269 0206 908	KRC102M-AT/P (10K-10K)			
	TR633		00D 271 0312 905	KTA1504S-GR-RTK/P			
	D101		00D 276 0704 903	1SR35-400A(T93X)			
	D602-606		00D 276 0401 905	1SS133T77 (TAPE)			
	D620		00D 276 0401 905	1SS133T77 (TAPE)			
	D623,624		00D 276 0723 900	RB721Q-40			
	ZD101		00D 276 0848 908	UDZS22B-TE17			
	ZD102		00D 276 0798 935	UDZS20B-TE17			
	ZD103		00D 276 0636 903	MTZJ8.2BT77			
	ZD601,602		00D 276 0468 906	HZS9B-1TD			
	ZD603,604		00D 276 0475 902	HZS12C-1TD			
	ZD605		00D 276 0471 906	HZS11B-1TD			
	ZD609		00D 276 0465 912	HZS7B-2TD			
	ZD610,611		00D 276 0471 906	HZS11B-1TD			
	ZD612,613		00D 276 0475 902	HZS12C-1TD			
	ZD615		00D 276 0476 901	HZS15-1 TD(TAPE)			
	ZD616		00D 276 0465 912	HZS7B-2TD			
	LD301		00D 393 9671 002	SMLU12416W-S			
	LD371-373		00D 393 9662 901	SEL1410ETP2(D2/D3)			
	FL101		00D 393 8094 004	FLD(19-BT-08GINK)			

Ref. No.	nsp	Part No.	Part Name	Remarks	Q'ty	New
RESISTORS GROUP						
R146		00D 244 2043 937	RS14B3A100JNBST(S)			
R149		00D 244 2043 937	RS14B3A100JNBST(S)			
R601,602		00D 244 2050 988	RS14B3A202JNBST(S)			
R605,606		00D 244 2050 988	RS14B3A202JNBST(S)			
R634		00D 241 2376 919	RD14B2E300JNBST			
R638		00D 241 2376 919	RD14B2E300JNBST			
R639		00D 244 2055 912	RS14B3AR47JNBST(S)			
R641		00D 244 2055 912	RS14B3AR47JNBST(S)			
CAPACITORS GROUP						
C101		00D 255 1279 951	CQ93M1H104JT(B)			
C102		00D 256 1042 903	CF93A2E104KT			
C103,104	nsp	00D 257 0516 954	CK73B1E104KT +1608			
C105	nsp	00D 257 0506 951	CC73CH1H101JT +1608			
C106		00D 254 4524 985	CE04W1H100MT SMG/RE3			
C107	nsp	00D 257 0506 951	CC73CH1H101JT +1608			
C108		00D 255 1279 951	CQ93M1H104JT(B)			
C109		00D 254 4538 942	CE04W1C101MT SMG/RE3			
C110		00D 254 4524 985	CE04W1H100MT SMG/RE3			
C115,116		00D 254 4540 710	CE04W1J471MC SMG/RE3			
C117,118	nsp	00D 257 0516 954	CK73B1E104KT +1608			
C122	nsp	00D 257 0509 929	CK73B1H102KT +1608			
C125	nsp	00D 257 0516 954	CK73B1E104KT +1608			
C126		00D 254 4527 940	CE04W2A010MT SMG/RE3			
C127		00D 254 4802 908	CE04W1J101MT(RA3)			
C129	nsp	00D 257 0501 901	CK73B1H103KT (1608) +1608			
C130	nsp	00D 257 0506 951	CC73CH1H101JT +1608			
C131	nsp	00D 257 0501 901	CK73B1H103KT (1608) +1608			
C132-135	nsp	00D 257 0509 929	CK73B1H102KT +1608			
C136	nsp	00D 257 0501 901	CK73B1H103KT (1608) +1608			
C137	nsp	00D 257 0516 954	CK73B1E104KT +1608			
C138	nsp	00D 257 0501 901	CK73B1H103KT (1608) +1608			
C139	nsp	00D 257 0516 954	CK73B1E104KT +1608			
C140	nsp	00D 257 0501 901	CK73B1H103KT (1608) +1608			
C141	nsp	00D 257 0516 954	CK73B1E104KT +1608			
C142	nsp	00D 257 0501 901	CK73B1H103KT (1608) +1608			
C143	nsp	00D 257 0516 954	CK73B1E104KT +1608			
C306,307	nsp	00D 257 0516 954	CK73B1E104KT +1608			
C381,382	nsp	00D 257 0516 954	CK73B1E104KT +1608			
C391,392	nsp	00D 257 0516 954	CK73B1E104KT +1608			
C601		00D 254 4524 943	CE04W1H010MT SMG/RE3			
C606,607		00D 254 4524 985	CE04W1H100MT SMG/RE3			
C608,609		00D 254 4574 922	CE04W1H101MT(RA3)			
C610,611		00D 254 4524 985	CE04W1H100MT SMG/RE3			
C612,613		00D 254 4541 955	CE04W1E221MT SMG/RE3			
C614		00D 254 4524 943	CE04W1H010MT SMG/RE3			
C616		00D 254 4524 943	CE04W1H010MT SMG/RE3			
C617		00D 254 4574 922	CE04W1H101MT(RA3)			
C620		00D 254 4524 985	CE04W1H100MT SMG/RE3			
C645-651		00D 254 4524 943	CE04W1H010MT SMG/RE3			
C733,734		00D 255 1264 908	CQ93M1H102JT(B)			
C737,738		00D 255 1279 951	CQ93M1H104JT(B)			
OTHERS PARTS GROUP						
CW043,044	nsp	00D 205 0885 082	4P CON.SOCKET(TUC-P)			
CW086,087	nsp	00D 205 0885 095	8P CON.SOCKET(TUC-P)			
CW103,104	nsp	00D 205 0885 053	10P CON.SOCKET TUC-P			
CX043	nsp	00D 205 0884 083	4P CON.BASE(TUC-P)			
CX051	nsp	00D 205 0884 009	5P CON.BASE TUC-P			
CX086,087	nsp	00D 205 0884 096	8P CON BASE(TUC-P)			
CX095-097	nsp	00D 205 0884 038	9P CON.BASE TUC-P			

	Ref. No.	nsp	Part No.	Part Name	Remarks	Q'ty	New
	CX103,104 CX135 CX945 CX963	nsp nsp nsp nsp	00D 205 0884 054 00D 205 0943 005 00D 205 0884 083 00D 205 0234 060	10P CON.BASE TUC-P 13P CON.BASE(TUC-P) 4P CON.BASE(TUC-P) 6P CONN BASE			
	CY022 CY251 FB101,102	nsp nsp	00D 205 0581 069 00D 205 1316 000 00D 247 0018 905	2P VH CON BASE (Red) 25P FFC BASE(9610S)Y RM73B--0R0KT +2125			
	JK702 S301 S302 S331-345		00D 204 8217 031 00D 212 5611 903 00D 212 1030 009 00D 212 5611 903	H/P JACK (BK(AU)) TACT SWITCH(TAPE H5) POWER SWITCH (TV-5) TACT SWITCH(TAPE H5)			
⚠	S347 S349-351 S371-373 S381 S391		00D 212 5611 903 00D 212 5611 903 00D 212 5611 903 00D 212 0373 000 00D 212 5611 903	TACT SWITCH(TAPE H5) TACT SWITCH(TAPE H5) TACT SWITCH(TAPE H5) ROT.ENCODER-EC16B TACT SWITCH(TAPE H5)			
	S392 S393-395 W705		00D 212 0373 000 00D 212 5611 903 00D 205 1034 007	ROT.ENCODER-EC16B TACT SWITCH(TAPE H5) M3 SCREW TERMINAL			
		nsp nsp nsp nsp	00D 415 0610 029 00D 461 1296 005 00D 417 0666 037 0RD 470 0051 009	UL TUBE(1.0) BK RUBBER SHEET RADIATOR 3X8 CPS(SW,W) ZNP			

00D1U-3804 AUDIO/CPU P.W.B. UNIT ASS'Y

Ref. No.	nsp	Part No.	Part Name	Remarks	Q'ty	New
SEMICONDUCTORS GROUP						
IC101-112		00D 263 0896 909	NJM2068MD-TE1 +C			
IC301		00D 262 3739 002	APPA300			
IC302,303		00D 262 3727 904	NJW1194V-TE1			
IC304-309		00D 263 0896 909	NJM2068MD-TE1 +C			
IC501		00D 263 0896 909	NJM2068MD-TE1 +C	M3087BFLBGP		
IC701		00D GEN 8369	MAIN CPU SUB ASSY			
IC801,802		00D 262 3410 907	TC74VHCT08AFT			
IC903,904		00D 263 0896 909	NJM2068MD-TE1 +C			
TR501		00D 271 0301 903	KTA1268-BL-AT/P	<div style="border: 1px solid black; padding: 5px;"> <p>☆注意: ファームウェアをアップデートするときは、SDIで最終バージョンを確認して下さい。 サービス基板はアップデートして使用下さい。</p> <p>NOTE: When update Firmware, please confirm a last version in SDI. Use the service board after updating it.</p> </div>		
TR502		00D 274 0160 907	2SD2144STPU			
TR503		00D 271 0301 903	KTA1268-BL-AT/P			
TR504		00D 273 0458 904	KTC3200-BL-AT/P			
TR505		00D 269 0193 901	KRC104S-RTK/P (47K-47K)			
TR506		00D 271 0301 903	KTA1268-BL-AT/P			
TR507		00D 273 0458 904	KTC3200-BL-AT/P			
TR509		00D 274 0160 907	2SD2144STPU			
TR510,511		00D 271 0301 903	KTA1268-BL-AT/P			
TR512-518		00D 269 0184 907	KRA102S-RTK/P (10K-10K)			
TR519-542		00D 273 0460 905	KTC2875-B-RTK/P			
TR543,544		00D 271 0301 903	KTA1268-BL-AT/P			
TR548		00D 271 0301 903	KTA1268-BL-AT/P			
TR701,702		00D 273 0460 905	KTC2875-B-RTK/P			
TR703-705		00D 273 0464 901	KTC3875S-GR-RTK/P			
TR706		00D 269 0191 903	KRA104S-RTK/P (47K-47K)			
TR707		00D 269 0193 901	KRC104S-RTK/P (47K-47K)			
TR708		00D 269 0192 902	KRC102S-RTK/P (10K-10K)			
TR709		00D 269 0193 901	KRC104S-RTK/P (47K-47K)			
TR710		00D 271 0326 904	2SA1954(B)-TE85L			
TR711,712		00D 269 0192 902	KRC102S-RTK/P (10K-10K)			
TR713		00D 271 0326 904	2SA1954(B)-TE85L			
TR716		00D 269 0192 902	KRC102S-RTK/P (10K-10K)			
TR717		00D 271 0326 904	2SA1954(B)-TE85L			
TR801		00D 269 0192 902	KRC102S-RTK/P (10K-10K)			
TR802		00D 271 0326 904	2SA1954(B)-TE85L			
TR901		00D 269 0086 908	DTA114TKT96 +C			
TR902,903		00D 269 0192 902	KRC102S-RTK/P (10K-10K)			
TR905,906		00D 269 0066 902	DTC323TKT96 +C			
D501-510		00D 276 0856 903	RB500V-40			
D511		00D 276 0794 900	KDS160-RTK/P			
D512-515		00D 276 0856 903	RB500V-40			
D516		00D 276 0794 900	KDS160-RTK/P			
D517-519		00D 276 0704 903	1SR35-400A(T93X)			
D701,702		00D 276 0794 900	KDS160-RTK/P			
D704,705		00D 276 0704 903	1SR35-400A(T93X)			
ZD704		00D 276 0459 915	HZS5B-2TD			
RESISTORS GROUP						
R512		00D 241 2383 902	RD14B2E223JNBST			
R529		00D 241 2383 902	RD14B2E223JNBST			
R741,742		00D 241 2387 908	RD14B2E010JNBST			
CAPACITORS GROUP						
C101-106	nsp	00D 257 0501 901	CK73B1H103KT (1608) +1608			
C107,108	nsp	00D 247 2018 903	RM73B--0R0KT +1608			
C109		00D 254 4524 985	CE04W1H100MT SMG/RE3			
C110-114	nsp	00D 247 2018 903	RM73B--0R0KT +1608			
C115		00D 254 4524 943	CE04W1H010MT SMG/RE3			
C118-139	nsp	00D 257 0507 976	CC73CH1H331JT +1608			

Ref. No.	nsp	Part No.	Part Name	Remarks	Q'ty	New
C140-143	nsp	00D 257 0506 951	CC73CH1H101JT +1608			
C144,145	nsp	00D 257 0507 934	CC73CH1H221JT +1608			
C146-173		00D 254 4524 985	CE04W1H100MT SMG/RE3			
C174,175		00D 254 4577 958	CE04W1C221MT(RA3)			
C186,187	nsp	00D 257 0506 951	CC73CH1H101JT +1608			
C202,203		00D 257 1021 998	CC73CH1H223JT +3216			
C204,205		00D 257 1021 969	CC73CH1H682JT +3216			
C206-231		00D 254 4524 985	CE04W1H100MT SMG/RE3			
C234		00D 254 4524 985	CE04W1H100MT SMG/RE3			
C235	nsp	00D 247 2018 903	RM73B-0R0KT +1608			
C301-308		00D 257 3024 964	CF73=1C104JT(ECHUX)			
C309		00D 254 4574 922	CE04W1H101MT(RA3)			
C312,313		00D 254 4574 922	CE04W1H101MT(RA3)			
C314-317		00D 254 4657 904	CE67C1C100MT(RV2)			
C318,319		00D 254 4574 922	CE04W1H101MT(RA3)			
C320,321		00D 254 4657 904	CE67C1C100MT(RV2)			
C322		00D 254 4574 922	CE04W1H101MT(RA3)			
C323,324		00D 254 4657 904	CE67C1C100MT(RV2)			
C325,326		00D 254 4574 922	CE04W1H101MT(RA3)			
C332		00D 254 4574 922	CE04W1H101MT(RA3)			
C333-336	nsp	00D 257 0506 919	CC73CH1H680JT +1608			
C337,338		00D 254 4524 985	CE04W1H100MT SMG/RE3			
C339	nsp	00D 257 0509 929	CK73B1H102KT +1608			
C340-343	nsp	00D 257 0506 951	CC73CH1H101JT +1608			
C344,345		00D 254 4574 922	CE04W1H101MT(RA3)			
C346-349		00D 254 4657 904	CE67C1C100MT(RV2)			
C350-353		00D 254 4657 920	CE67C1C330MT (RV2)			
C354,355		00D 254 4657 904	CE67C1C100MT(RV2)			
C356-359		00D 257 1021 930	CC73CH1H332JT +3216			
C360-363		00D 257 3024 964	CF73=1C104JT(ECHUX)			
C364-367		00D 254 4661 929	CE67C1H4R7MT (RV2) +REF			
C368-371		00D 254 4524 985	CE04W1H100MT SMG/RE3			
C372-375		00D 254 4657 904	CE67C1C100MT(RV2)			
C501	nsp	00D 257 0501 901	CK73B1H103KT (1608) +1608			
C502		00D 254 4524 972	CE04W1H4R7MT SMG/RE3			
C503		00D 254 4524 956	CE04W1H2R2MT SMG/RE3			
C504,505	nsp	00D 257 0501 901	CK73B1H103KT (1608) +1608			
C506		00D 254 4524 972	CE04W1H4R7MT SMG/RE3			
C507		00D 254 4574 922	CE04W1H101MT(RA3)			
C508-514		00D 254 4524 901	CE04W1H0R1MT SMG/RE3			
C515-538		00D 254 4524 998	CE04W1H220MT SMG/RE3			
C539		00D 254 4524 943	CE04W1H010MT SMG/RE3			
C540-551	nsp	00D 257 0507 976	CC73CH1H331JT +1608			
C552-557	nsp	00D 257 0501 901	CK73B1H103KT (1608) +1608			
C558		00D 254 4524 985	CE04W1H100MT SMG/RE3			
C601	nsp	00D 257 0507 934	CC73CH1H221JT +1608			
C703		00D 255 1279 951	CQ93M1H104JT(B)			
C704		00D 254 4524 972	CE04W1H4R7MT SMG/RE3			
C705	nsp	00D 257 0501 901	CK73B1H103KT (1608) +1608			
C706,707	nsp	00D 257 0516 954	CK73B1E104KT +1608			
C708	nsp	00D 257 0501 901	CK73B1H103KT (1608) +1608			
C709	nsp	00D 257 0509 929	CK73B1H102KT +1608			
C710		00D 254 4666 005	CE04W0H105ZC(FG)			
C711,712	nsp	00D 257 0503 925	CC73CH1H100DT +1608			
C713		00D 254 4533 934	CE04W0J221MT SMG/RE3			
C714	nsp	00D 257 0509 929	CK73B1H102KT +1608			
C715	nsp	00D 257 0516 954	CK73B1E104KT +1608			
C716		00D 254 4536 928	CE04W1A101MT SMG/RE3			
C801,802	nsp	00D 257 0516 954	CK73B1E104KT +1608			
C901		00D 254 4524 985	CE04W1H100MT SMG/RE3			
C902	nsp	00D 257 0509 929	CK73B1H102KT +1608			
C905	nsp	00D 257 0506 951	CC73CH1H101JT +1608			
C906,907	nsp	00D 257 0509 929	CK73B1H102KT +1608			
C909-911	nsp	00D 257 0509 929	CK73B1H102KT +1608			
C912		00D 254 4524 985	CE04W1H100MT SMG/RE3			
C923,924		00D 254 4524 985	CE04W1H100MT SMG/RE3			

Ref. No.	nsp	Part No.	Part Name	Remarks	Q'ty	New
C927-930 C933,934		00D 254 4524 985 00D 254 4524 985	CE04W1H100MT SMG/RE3 CE04W1H100MT SMG/RE3			
OTHERS PARTS GROUP						
CW068 CW071 CW081 CW110 CW152-155	nsp nsp nsp nsp nsp	00D 205 0942 019 00D 205 0942 022 00D 205 0885 095 00D 205 0885 066 00D 205 0885 040	6P CON.SOCKET(TUC-P 7P CON.SOCKET(TUC-P 8P CON.SOCKET(TUC-P) 11P CON.SOCKET TUC-P 15P CON.SOCKET TUC-P			
CW156 CW161	nsp nsp	00D 205 1326 058 00D 205 0942 051	15P SOCKET(9120) 16P CON.SOCKET TUC-P			
CX042 CX069	nsp nsp	00D 205 1323 048 00D 205 0943 018	4P PIN HEADER(9120) 6P CON.BASE(TUC-P)			
CX082 CX083 CX102 CX136 CX142	nsp nsp nsp nsp nsp	00D 205 0884 096 00D 205 1323 080 00D 205 0884 054 00D 205 1445 007 00D 205 0884 012	8P CON BASE(TUC-P) 8P PIN HEADER(9120) 10P CON.BASE TUC-P 13P ZR CON BASE 14P CON.BASE TUC-P			
CX150 CX153,154 CX159 CX161,162 CX251	nsp nsp nsp nsp	00D 205 0736 076 00D 205 0884 041 00D 205 1324 050 00D 205 0943 050 00D 205 1352 048	15P FFC CON.BASE 15P CON.BASE TUC-P 15P PIN HEADER(9120) 16P CON.BASE TUC-P 25P-FFC-BASE(TOC-J)			
CX271		00D 205 1352 064	27P-FFC-BASE(TOC-J)			
CY191 JK101	nsp	00D 205 1092 007 00D 204 8747 006	19P CON.PLUG(TWG-P) 4P-PIN-JACK(AU)			
JK102-107 JK501 JK502,503 X701		00D 204 8740 003 00D 204 8747 006 00D 204 8740 003 00D 399 0594 005	4P-PIN-JACK(AU) 4P-PIN-JACK(AU) 4P-PIN-JACK(AU) X'TAL(30MHZ)			

00D1U-3817 DIGITAL POWER P.W.B. UNIT ASS'Y

	Ref. No.	nsp	Part No.	Part Name	Remarks	Q'ty	New
SEMICONDUCTORS GROUP							
	IC802		00D 263 1280 006	SI-8008HFE			
	IC803		00D 263 1186 003	SI-8033S(LF1101)			
	IC804		00D 263 1280 006	SI-8008HFE			
	IC805		00D 263 1285 001	SI-8001FFE(LF1113A)			
⚠	IC807		00D 263 1242 918	NJM2831F06			
	IC809		00D 268 0073 905	ICP-N15T			
	IC811		00D 263 1035 002	PQ30RV11			
	TR801		00D 272 0161 900	2SB1412TL(PQR) +C			
	TR802		00D 269 0048 904	DTC143EK-T96 +C			
	TR803		00D 273 0464 901	KTC3875S-GR-RTK/P			
	TR804		00D 269 0192 902	KRC102S-RTK/P (10K-10K)			
	TR806		00D 273 0464 901	KTC3875S-GR-RTK/P			
	TR808-810		00D 273 0464 901	KTC3875S-GR-RTK/P			
	TR811-813		00D 269 0192 902	KRC102S-RTK/P (10K-10K)			
	TR815		00D 271 0313 904	KTA1281-Y-AT/P			
	TR816		00D 269 0192 902	KRC102S-RTK/P (10K-10K)			
	TR820		00D 273 0464 901	KTC3875S-GR-RTK/P			
	D802,803		00D 276 0704 916	1SR35-400A(T82)			
	D804		00D 276 0847 909	RSX101M-30			
	D805		00D 276 0854 905	RSX501L-20			
	D806		00D 276 0401 905	1SS133T77 (TAPE)			
	D809-811		00D 276 0401 905	1SS133T77 (TAPE)			
	D813		00D 276 0704 916	1SR35-400A(T82)			
	D818		00D 276 0305 001	S4VB20			
	D819-822		00D 276 0850 705	RSX1001T3			
	D824		00D 276 0704 916	1SR35-400A(T82)			
	ZD805		00D 276 0464 900	HZS7A-1TD			
	ZD806-808		00D 276 0461 903	HZS6A-1TD			
	ZD810		00D 276 0466 908	HZS7C-1TD			
	ZD825		00D 276 0477 900	HZS16-1 TD(TAPE)			
RESISTORS GROUP							
	R801		00D 244 2052 960	RS14B3A221JNBST(S)			
	R803		00D 247 0047 947	RM73B--472DT			
	R804		00D 247 0045 965	RM73B--821DT			
	R808		00D 247 0047 947	RM73B--472DT			
	R809		00D 247 0047 934	RM73B--432DT			
	R824		00D 247 0047 992	RM73B--752DT			
	R825		00D 247 0045 965	RM73B--821DT			
	R826		00D 247 0047 992	RM73B--752DT			
	R827		00D 247 0045 965	RM73B--821DT			
	R828		00D 247 0046 948	RM73B--182DT			
	R830		00D 247 0044 982	RM73B--391DT			
CAPACITORS GROUP							
	C811,812		00D 254 4651 913	CE04W0J102MT H15(KY)			
	C816		00D 254 4193 905	CE04W1C100MT (SRA)			
	C817		00D 254 4524 985	CE04W1H100MT SMG/RE3			
	C819-821	nsp	00D 257 0516 954	CK73B1E104KT +1608			
	C822-824		00D 254 4653 911	CE04W1V271MT H20D(KY)			
	C825		00D 255 1279 951	CQ93M1H104JT(B)			
	C826		00D 254 4801 705	CE04W1V103MC(SMQ)			
	C828		00D 254 4651 913	CE04W0J102MT H15(KY)			
	C829	nsp	00D 257 0516 954	CK73B1E104KT +1608			
	C830		00D 254 4653 911	CE04W1V271MT H20D(KY)			
	C831		00D 254 4524 943	CE04W1H010MT SMG/RE3			
	C832		00D 254 4651 913	CE04W0J102MT H15(KY)			
	C835		00D 254 4403 718	CE04W1E102MC (SMG)			

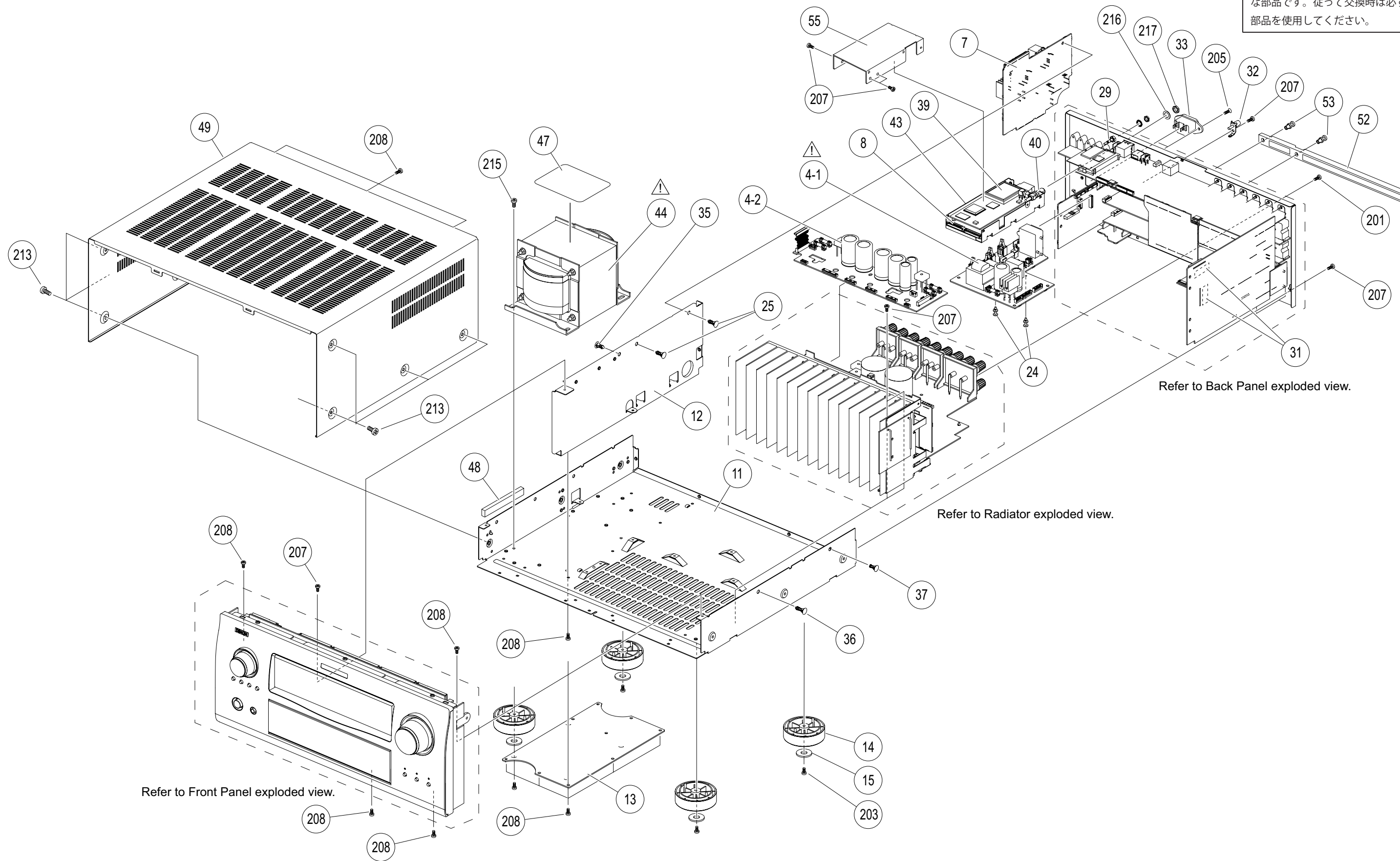
00D1U-3794B HD JOINT P.W.B. UNIT ASS'Y

	Ref. No.	nsp	Part No.	Part Name	Remarks	Q'ty	New
SEMICONDUCTORS GROUP							
	IC101,102		00D 262 2517 908	SN74LV08APW-EL2 +REF			
CAPACITORS GROUP							
	C105	nsp	00D 257 0509 929	CK73B1H102KT +1608			
	C106	nsp	00D 257 0516 954	CK73B1E104KT +1608			
	C111	nsp	00D 257 0509 929	CK73B1H102KT +1608			
	C112	nsp	00D 257 0516 954	CK73B1E104KT +1608			
OTHERS PARTS GROUP							
	CX141	nsp	00D 205 0480 047	14P KR CON BASE(L)			
	CX201	nsp	00D 205 1416 007	20P-SOCKET(9269)			
	CX501	nsp	00D 205 1416 010	50P-SOCKET (9269)			
	CX503	nsp	00D 205 0305 012	11P EH SID CON. BASE			
	JK103		00D 205 1417 006	AM-ANTENNA TERMINAL			
	W101,102	nsp	00D 205 1034 007	M3 SCREW TERMINAL			
	W701		00D 203 0766 008	1P SIN CORD			
	W702		00D 203 0766 011	1P SIN CORD			
		nsp	00D 001 0130 096	1P WIRE(UL1007)			
		nsp	00D 461 0415 007	RUBBER SHEET			

EXPLODED VIEWS (1/3)
(MAIN UNIT)

WARNING:
Parts marked with this symbol ⚠ have critical characteristics.
Use ONLY replacement parts recommended by the manufacturer.

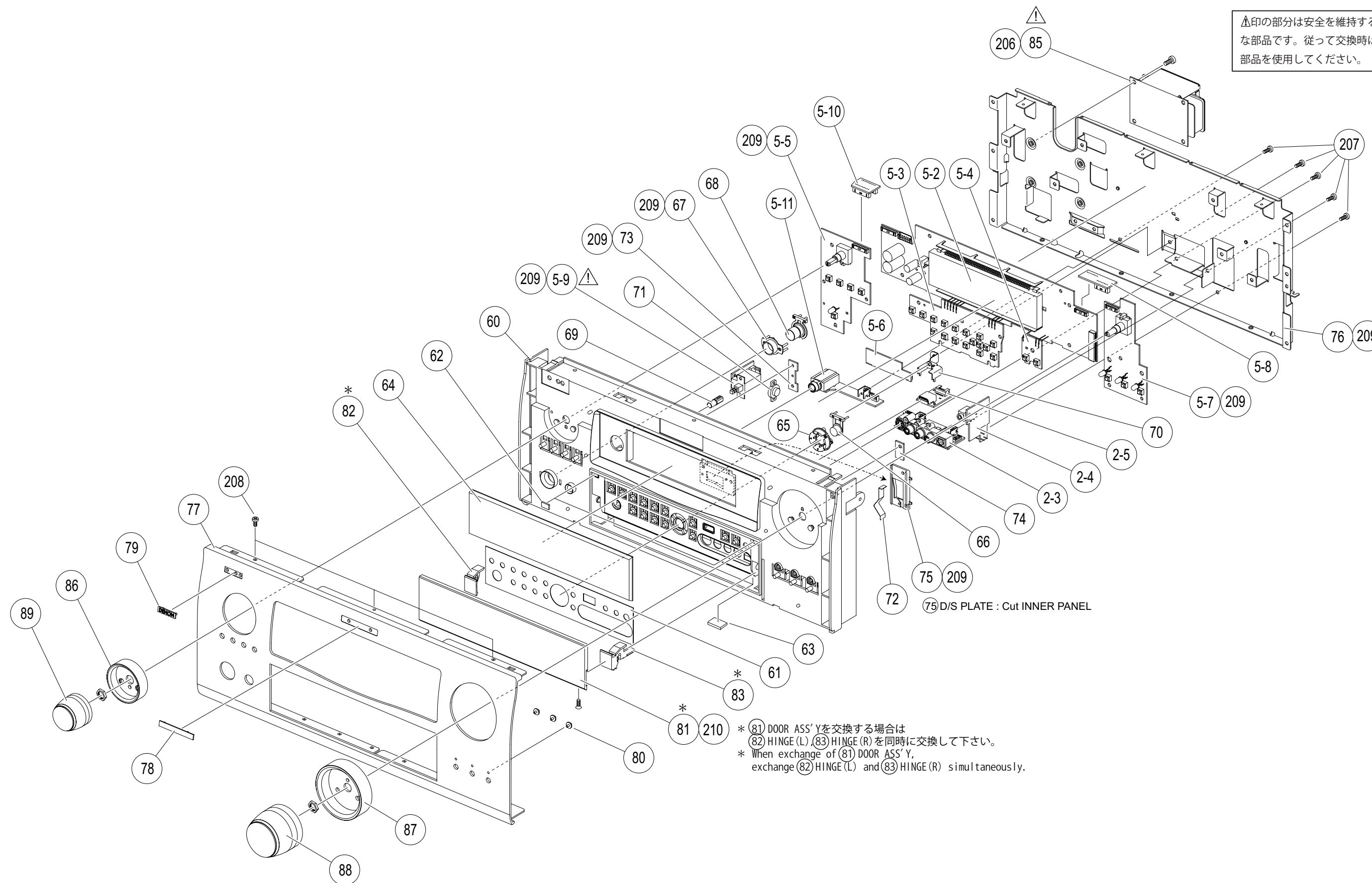
⚠印の部分は安全を維持するために重要な部品です。従って交換時は必ず指定の部品を使用してください。



EXPLODED VIEWS (2/3)
(FRONT PANEL UNIT)

WARNING:
Parts marked with this symbol ⚠ have critical characteristics.
Use ONLY replacement parts recommended by the manufacturer.

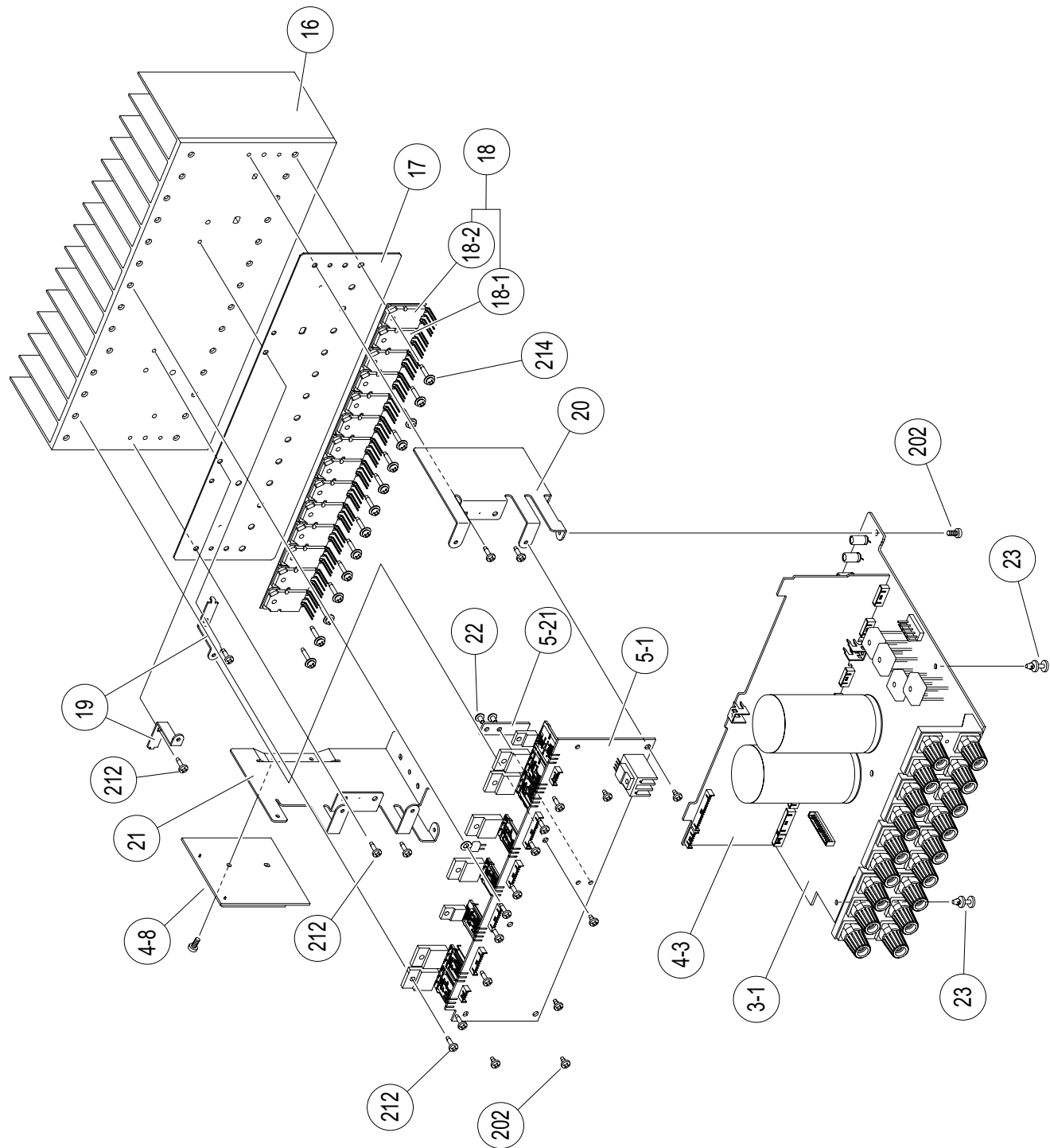
⚠印の部分は安全を維持するために重要な部品です。従って交換時は必ず指定の部品を使用してください。



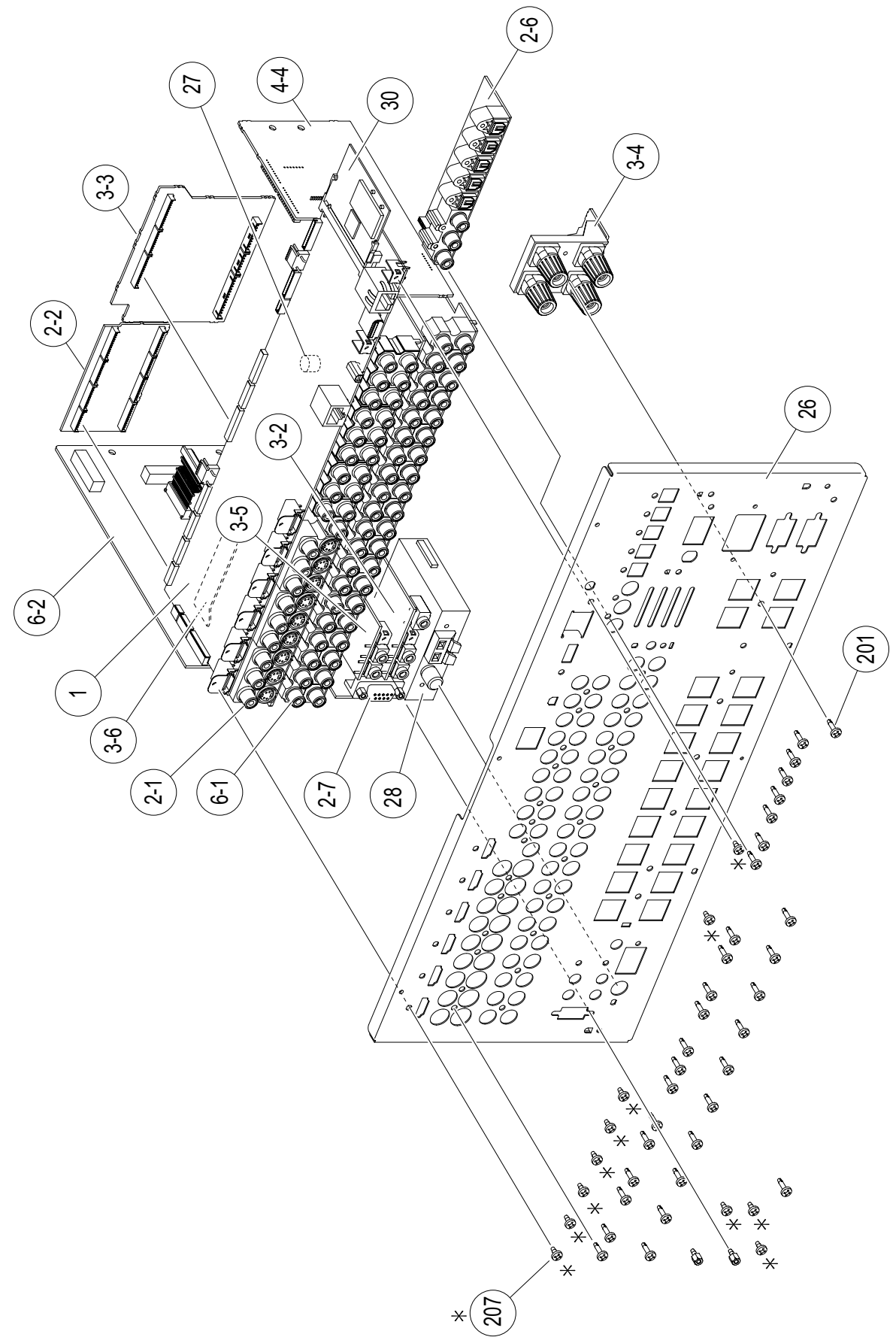
75 D/S PLATE : Cut INNER PANEL

* (81) DOOR ASS'Yを交換する場合は
(82) HINGE (L) (83) HINGE (R)を同時に交換して下さい。
* When exchange of (81) DOOR ASS'Y,
exchange (82) HINGE (L) and (83) HINGE (R) simultaneously.

EXPLODED VIEWS (3/3)
(RADIATOR UNIT)



(BACK PANEL UNIT)



PARTS LIST OF EXPLODED VIEW

*本表に記載されている部品は、補修用部品のため製品に使用している部品とは一部、形状、寸法などが異なる場合があります。

* The parts listed below are for maintenance only, might differ from the parts used in the unit in appearances or dimensions.

* "nsp" 印の部品は常時在庫していませんので供給に長時間を要することがあります。場合によっては、供給をお断りする場合があります。

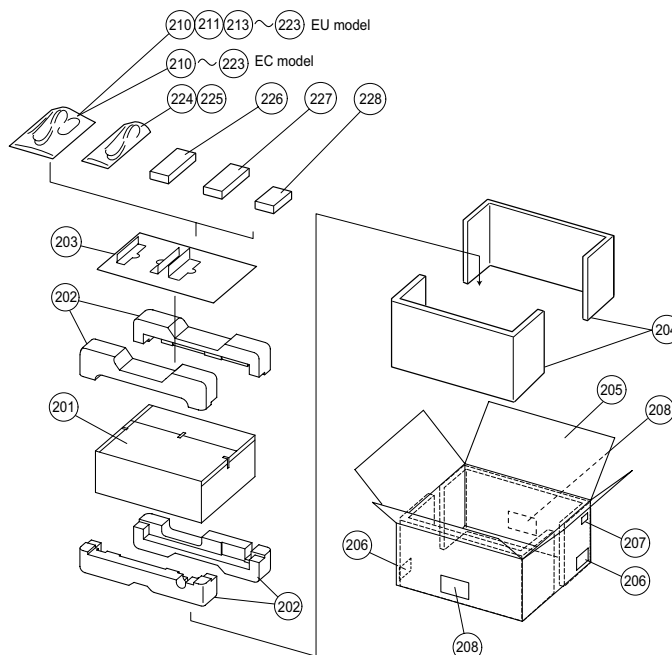
* Part indicated with the mark "nsp" are not always in stock and possibly to take a long period of time for supplying, or in some case supplying of part may be refused.

	Ref. No.	nsp	Part No.	Part Name	Remarks	Q'ty	New
	1		00D 1U- 3799	DIGITAL UNIT ASSY		1	*
	2		-	A.VIDEO UNIT ASSY		1	*
	2-1			A.VIDEO UNIT			
	2-2			VIDEO CONNECT UNIT			
	2-3			FRONT IN UNIT			
	2-4			MIC UNIT			
	2-5			USB UNIT			
	2-6			DIGITAL IN UNIT			
	2-7			232C UNIT			
	2-8			BKT1 UNIT			
	2-9			BKT2 UNIT			
	3		-	P.AMP UNIT ASSY		1	*
	3-1			P.AMP UNIT			
	3-2			IPOD UNIT			
	3-3			AUDIO CONNECT UNIT			
	3-4			EX2 SP UNIT			
	3-5			REMOTE UNIT			
	3-6			LR CONNECT UNIT			
	4		-	P.SUPPLY UNIT ASSY		1	*
	4-1			PRIMARY UNIT			
	4-2			P.SUPPLY-1 UNIT			
	4-3			VOL_AMP UNIT			
	4-4			SIDE CONNECT UNIT			
	4-6			AMP CONNECT UNIT			
	4-8						
	5		-	FRONT UNIT ASSY		1	*
	5-1			P.SUPPLY-2 UNIT			
	5-2			FLD UNIT			
	5-3			TACT-1 UNIT			
	5-4			TACT-2 UNIT			
	5-5			FUNC UNIT			
	5-6			H/P CONNECT UNIT			
	5-7			VOL UNIT			
	5-8			VOL CONNECT UNIT			
	5-9			P.SW UNIT			
	5-10			FUNC CONNECT UNIT			
	5-11			H/P UNIT			
	5-21						
	6		-	AUDIO/CPU UNIT ASSY		1	*
	6-1			AUDIO UNIT			
	6-2			MAIN CPU UNIT			
	7		-	DIGITAL POWER UNIT ASSY		1	*
	8		-	HD RADIO JOINT UNIT ASSY		1	*
	11	nsp	00D 411 2106 102	MAIN CHASSIS		1	*
	12	nsp	00D 411 2108 003	CENTER CHASSIS		1	*
	13	nsp	00D 412 5363 000	BOTTOM PLATE		1	*
	14	nsp	00D 104 0334 007	FOOT		4	
	15	nsp	00D 461 0385 001	RUBBER PAD		4	
	16		-	RADIATOR		1	*
	17		-	CU PLATE		1	*
	18		00D 278 0017 007	MN15N/MP15P		7	*
	18-1		-	MN15N	TR201,203,205,207,209,211,213		
	18-2		-	MP15P	TR202,204,206,208,210,212,214		

	Ref. No.	nsp	Part No.	Part Name	Remarks	Q'ty	New
	19		-	PWB BRACKET		2	*
	20		-	RADIATOR BRACKET (L)		1	*
	21		-	RADIATOR BRACKET (R)		1	*
	22		-	PUSH RIVET	Fix 1U-3803-21	2	
	23		-	CARD SPACER (L=8)		2	
	24		-	CARD SPACER(L=10)		2	
	25		-	P.W.B.HOLDER (H=8)	Fix CPU POWER UNIT	2	
	26	nsp	00D 105 1678 202	BACK PANEL		1	*
	27	nsp	00D 409 0052 006	HOLDER (A)	Fix LR CONNECT UNIT	1	
	28		00D 216 0124 002	AM FM TUNER(E3)		1	
	29	nsp	00D 004 0015 000	ANNTENA CABLE		1	*
	30		00D 399 1099 004	WLAN MODULE(11CH)		1	*
	31	nsp	00D 461 0957 044	RUBBER FOAM	1U-3804-2	2	
	32		00D 205 1116 006	TERMINAL ASS		1	
⚠	33		00D 203 3996 008	AC INLET (2P)		1	
	★ 34	nsp	00D 203 2445 000	2P VA CORD	AC INLET to CX021	1	
	35		-	P.W.B.HOLDER (H=6)	Fix SIDE CONNECT UNIT	1	
	36		-	P.W.B.HOLDER (H=10)	Fix MAIN CPU UNIT	1	
	37		-	CARD SPACER (H=10)	Fix MAIN CPU UNIT	1	
	★ 38		-	WIRE CLAMPER		9	
	39		00D 216 0131 008	AO-4KR(HD RADIO/AVR)		1	*
	40		00D 004 0014 001	F-TERMINAL ASSY		1	
	41	nsp	00D 449 0228 003	PCB HOLDER (WN-08F)		2	
	42	nsp	00D 461 1291 000	SPACER		1	
	43	nsp	00D 412 5347 107	FIX BRACKET		1	
⚠	44		00D 233 6577 001	MAIN TRANS(43CIE3)		1	*
	47	nsp	00D 513 3333 005	LABEL (TRANS)		1	
	48	nsp	00D 461 0573 033	RUBBER SHEET		1	
	49	nsp	00D GEN 8387	TOP COVER SUB ASSY	00D1020702109 : TOP COVER	1	*
	★ 50	nsp	00D GEN 8389	LICENSE SUB ASSY		1	*
	★ 51		-	SERIAL NO. SHEET		1	
	52	nsp	00D 146 2487 008	SCREW COVER		1	*
	53		-	PUSH RIVET		2	
	★ 54	nsp	00D GEN 8383	FUSE CAUTION LABEL		1	*
	55		-	SHIELD BRACKET(HD)		1	*
	60		00D 146 2486 106	INNER PANEL		1	*
	61		00D 143 1281 002	DOOR SHEET		1	*
	62	nsp	00D 461 1182 012	RUBBER SHEET	Door close	2	
	63	nsp	00D 461 1182 009	RUBBER SHEET	20X10X1T / Door open	2	
	64		00D 143 1282 001	WINDOW		1	*
	65		00D 113 1996 202	CURSOR KNOB		1	
	66		00D 113 1995 041	ENTER KNOB		1	*
	67	nsp	00D 143 1255 009	LENS (POWER)		1	
	68		00D 113 1992 109	P.KNOB ASSY(SUB)		1	
	69		00D 113 1994 107	P.KNOB ASSY(MAIN)		1	
	70		-	USB BRACKET		1	*
	71		00D 421 0763 010	GEAR DAMPER	058E-L	1	
	72	nsp	00D 412 5083 102	DOOR STOPPER		1	
	73		-	BKT2 UNIT	Cut PWB Board:Part No.2-9(1U-3800-9)	1	
	74		-	BKT1 UNIT	Cut PWB Board:Part No.2-8(1U-3800-8)	1	
	75		-	D/S PLATE	Cut INN.PANEL:Part No.60	1	
	76	nsp	00D 411 2107 101	FRONT CHASSIS		1	*
	77		00D 144 3010 203	FRONT PANEL		1	*
	78	nsp	00D 135 0074 002	AL24 BADGE		1	*
	79	nsp	00D 131 0158 049	DENON BADGE		1	*
	80	nsp	00D 143 0952 002	LENS		3	
	81		00D 144 3021 001	DOOR ASSY		1	*
	82		00D 401 0195 202	HINGE (L)		1	
	83		00D 401 0196 201	HINGE (R)		1	

	Ref. No.	nsp	Part No.	Part Name	Remarks	Q'ty	New
!	★ 84	nsp	00D 513 4130 003	P4S LABEL(POP)	Stick on the Door	1	
	85		00D 233 6578 000	SUB TRANS(43CIE3)		1	*
	86		00D 114 0203 009	KNOB RING(F)		1	*
	87		00D 114 0204 008	KNOB RING(M)		1	*
	88		00D 112 0989 000	KNOB(M) ASSY		1	*
	89		00D 112 0988 001	KNOB(F) ASSY		1	*
Screws							
	201		00D 477 0064 107	FIXING SCREW		38	
	202	nsp	0RD 473 7002 005	3X6 CBTS(S)-Z		20	
	203	nsp	0RD 473 7002 018	3X8 CBTS (S)-Z		16	
	204	nsp	0RD 473 7002 034	3X6 CBTS (S)-B		3	
	205	nsp	0RD 473 7003 017	3X8 CFTS (S)-B		2	
	206	nsp	0RD 473 7004 016	4X6 CBTS (S)-Z		4	
	207	nsp	0RD 473 7015 005	3X6 CBTS(S)-B		25	
	208	nsp	0RD 473 7015 018	3X8 CBTS (S)-B		17	
	209	nsp	0RD 473 7500 015	3X8 CBTS (P)-Z		37	
	210	nsp	0RD 473 7500 028	3X8 CFTS (P)-Z		2	
	211	nsp	0RD 473 7501 001	3X10 CBTS (P)-Z		5	
	212	nsp	0RD 473 8034 030	3X10 CBTS(B)-Z		15	
	213		0RD 473 8064 000	4X8 CBTS(B)-B-3P		8	
	214	nsp	0RD 477 0153 018	3X16 CPTS(B) SW W		14	
	215	nsp	0RD 477 0312 008	4X8 TP SCREW		4	
	216		-	WASHER (9.5X16X0.5)		1	
	217		-	NUT 3/8-32(11X2)		1	
Wires							
	★ 501		00D 009 0296 002	15P FFC(1.25)	MAIN CPU-CX150 to TUNER PACK	1	*
	★ 502		00D 009 0295 003	25P FFC(1.0)	MAIN CPU-CX251 to FLD-CY251	1	*
	★ 503		00D 009 0295 016	27P FFC(1.0)	MAIN CPU-CX271 to FRONT IN-CY271	1	*
	★ 504		00D 009 0295 029	17P FFC(1.0)	DIGITAL IN-CX171 to DIGITAL-CY171	1	*
	★ 505	nsp	00D 203 2446 009	2P VA-VA CON.CORD	PRIMARY-CX022 to P.SW-CY022	1	*
	★ 506	nsp	00D 204 6819 004	12P ZH-ZH CON.CORD	SIDE CONNECT-CX124 to DIGITAL-CY124	1	*
	★ 507	nsp	00D 204 6818 005	13P ZH-ZH CON.CORD	MAIN CPU-CX136 to DIGITAL-CY136	1	*
	★ 508	nsp	00D 204 6816 007	7P-11P PH-EH CORD	SIDE CONNECT-CX070 to HD JOINT-CX503	1	*
	★ 509	nsp	00D 204 6814 009	12P-4P/8P PH-PH CORD	DIGITAL PWR-CX121 to DIGITAL CY821/CY421	1	*
	★ 510	nsp	00D 204 6820 006	11P PH-PH CON.CORD	DIGITAL PWR-CW11 to SIDE CONNECT-CW119	1	*
	★ 511	nsp	00D 204 6815 008	12P PH-PH CON.CORD	DIGITAL PWR-CW122 to SIDE CONNECT-CW123	1	*
	★ 512	nsp	00D 204 3019 001	7P PH-ZH CON.CORD	A.VIDEO-CX072 to DIGITAL-CY072	1	*
	★ 513	nsp	00D 203 8574 043	5P PH-PH CON.CORD	USB-CX053 to DIGITAL-CY053	1	*
	★ 514	nsp	00D 204 6817 006	6P-14P ZH-PH CORD	DIGITAL-CX060 to HD JOINT-CX141	1	*

PACKING VIEW



PARTS LIST OF PACKING & ACCESSORIES

* 本表に記載されている部品は、補修用部品のため製品に使用している部品とは一部、形状、寸法などが異なる場合があります。

* The parts listed below are for maintenance only, might differ from the parts used in the unit in appearances or dimensions.

* "nsp" 印の部品は常時在庫していませんので供給に長時間を要することがあります。場合によっては、供給をお断りする場合があります。

* Part indicated with the mark "nsp" are not always in stock and possibly to take a long period of time for supplying, or in some case supplying of part may be refused.

Note: The symbols in the column "Remarks" indicate the following destinations.

EU : U.S.A. model

EC : Canada model

Ref. No.	nsp	Part No.	Part Name	Remarks	Q'ty	New	
201	nsp	00D 504 0192 106	CABINET SHEET		1		
202	nsp	00D 503 1544 006	CUSHION ASSY		1	*	
203	nsp	00D 501 2262 006	PAD		1		
204	nsp	00D 501 2379 009	SPACER		2	*	
205	nsp	00D 501 2364 001	CARTON CASE		1	*	
206		-	CONT. CARD(L)		1		
207		-	UPC LABEL		1		
208	nsp	00D 513 4131 002	P4S LABEL(CARTON)		2		
210	nsp	00D 505 8006 019	ENVELOPE		1		
211		00D 511 4609 004	INST.MANUAL(EU)		1	*	
212		00D 511 4610 006	INST.MANUAL(EC)	EC model only	1	*	
213		00D 395 0029 002	FM ANT ASS Y	FM Indoor ant.	1		
214		00D 395 0033 001	FM ANTENNA (DIPOLE)	for HD Radio	1		
215		00D 231 0089 007	AM LOOP ANTENNA	Small size	1		
216		00D 395 0032 002	AM LOOP ANTENNA (HD)	Large size for HD Radio	1		
217		00D 395 0034 000	WLAN ANNTENA	for Wireless LAN	1	*	
218	nsp	00D GEN 8352	ANT. LABEL	for Large size HD Radio ant.	1		
219		-	BATTERY(R03/AAA)	for RC-1070	1		
220		-	BATTERY(LR6/AA)	for RC-1068	1		
221	nsp	00D 513 4174 001	XM SHEET		1		
222	nsp	00D 515 0921 801	S.S.LIST(EX)		1		
223	nsp	00D 515 0944 503	WARRANTY (HOME)		1		
224	nsp	00D 505 0038 072	POLY COVER	for AC CORD	1		
⚠		225	00D 206 2220 004	AC CORD SET (E3)		1	
		226	00D 399 1095 008	RC-1068		1	*
		227	00D 399 1097 006	RC-1070		1	*
		228	00D 321 0039 004	DM-A505ZEM		1	*