
NO. 71154

ISSUED: JAN. 10, 2000



**HOSHIZAKI
ICE DISPENSING BIN/
WATER DISPENSER**

MODEL

DM-90A

PARTS LIST

MATERIAL ABBREVIATIONS

ALUMINUM

AL = Aluminum

COPPER

CU = Copper

PLASTIC

ABS = Acrylonitrile -butadiene - styrene
 AC = Polyacetal
 EVA = Ethylene vinyl acetate
 PA = Polyamide = Nylon
 PC = Polycarbonate
 PE = Polyethylene
 PES = Polyester
 PETP = Polyethylene terephthalate = Tetlon
 PP = Polypropylene
 PS = Polystyrene
 PIFE = Polytetrafluoroethylene = Teflon
 PUR = Polyurethane
 PVC = Polyvinyl chloride

RUBBER

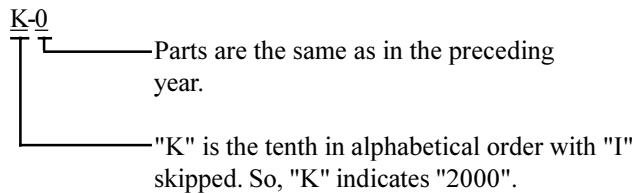
VN = Vinyl Nitrile
 EPDM = EP rubber
 NBR = Nitrile butadiene rubber
 NR = Natural rubber
 NP = Neoprene
 SIR = Silicone rubber
 SYR = Synthetic rubber
 EPH = Epichlorohydrin

STEEL

GS = Galvanized steel
 SS = Stainless steel
 PS = Plated steel
 PAS = Primed steel

AUXILIARY CODE

Ex.1

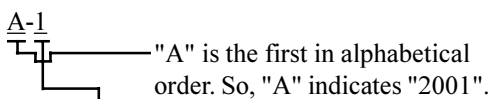


(Note) - = Part deleted.

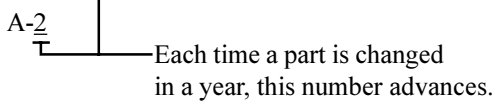
x = Part deleted and replaced by "o" part.

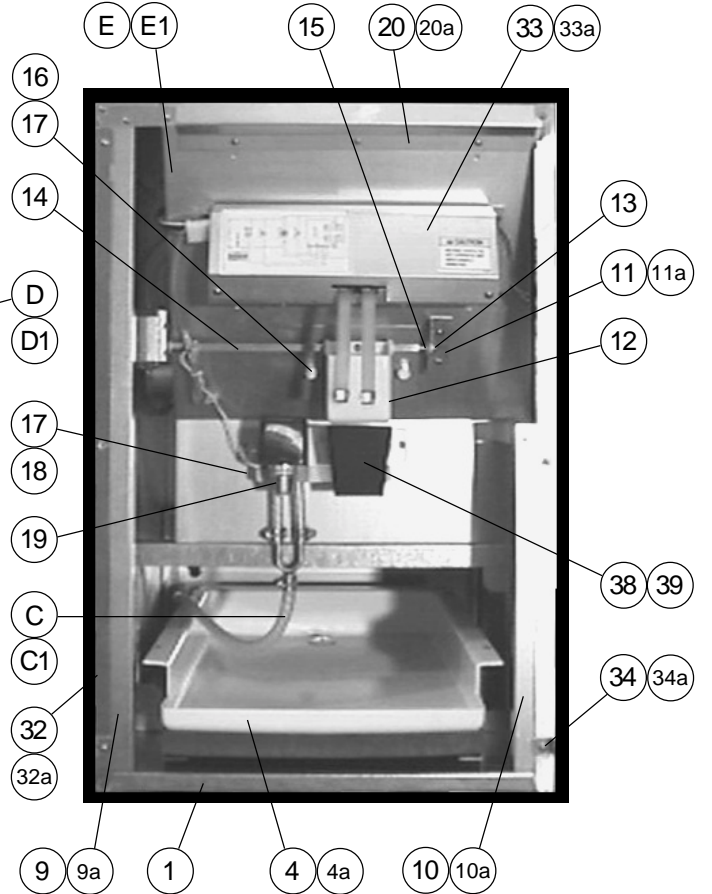
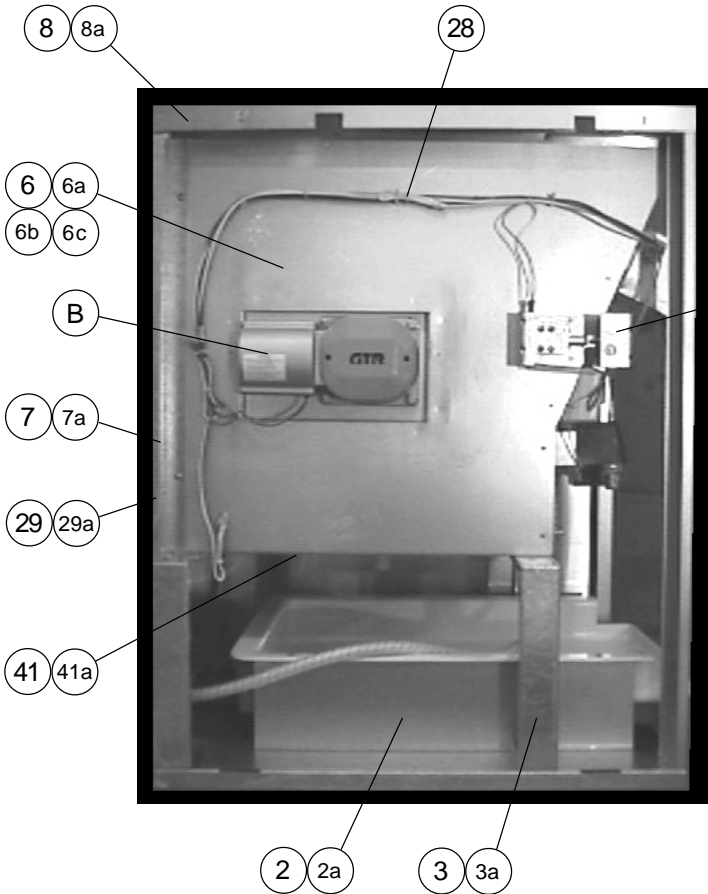
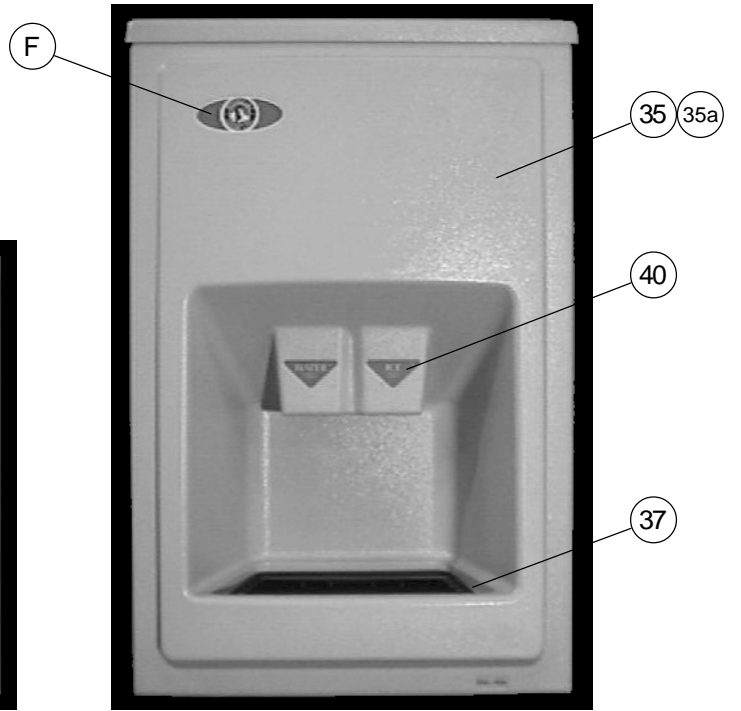
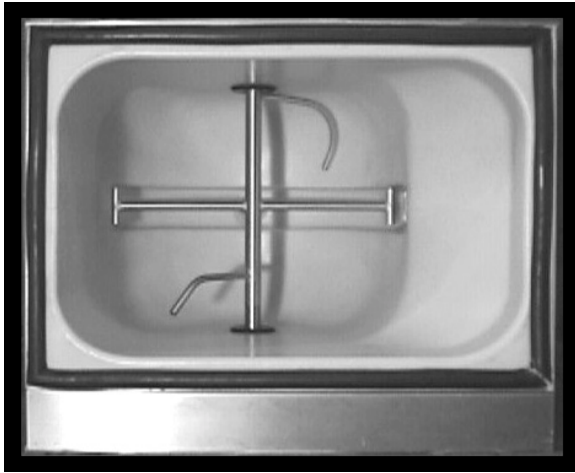
o = New part for "x" in the same auxiliary code.

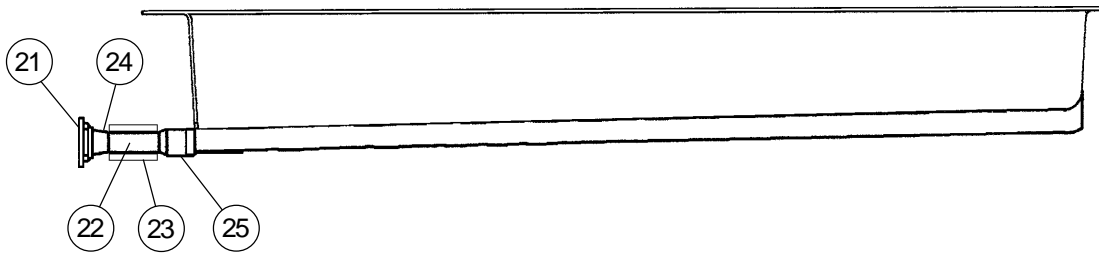
Ex.2



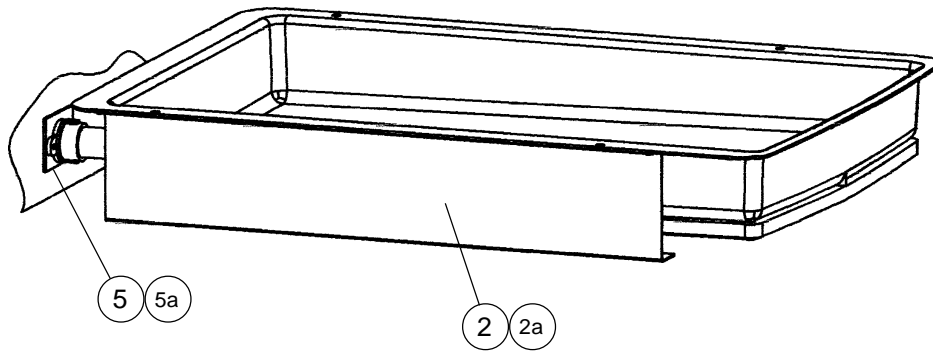
Ex.3



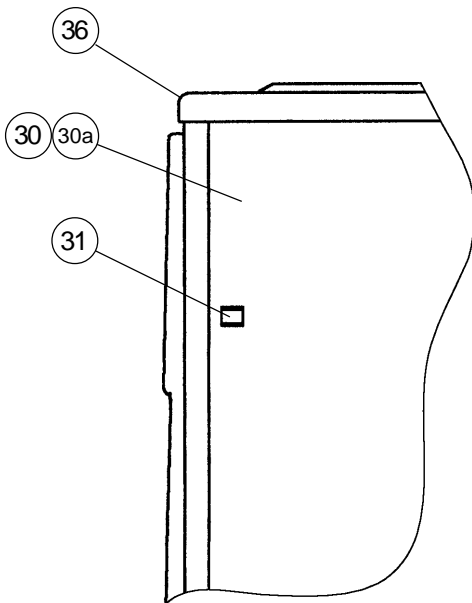




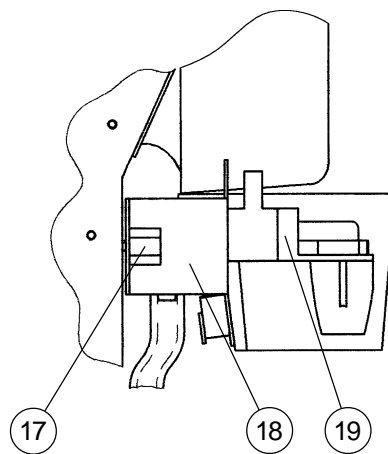
DRAIN PAN SECTION DETAIL



DRAIN PAN ASSEMBLY DETAIL



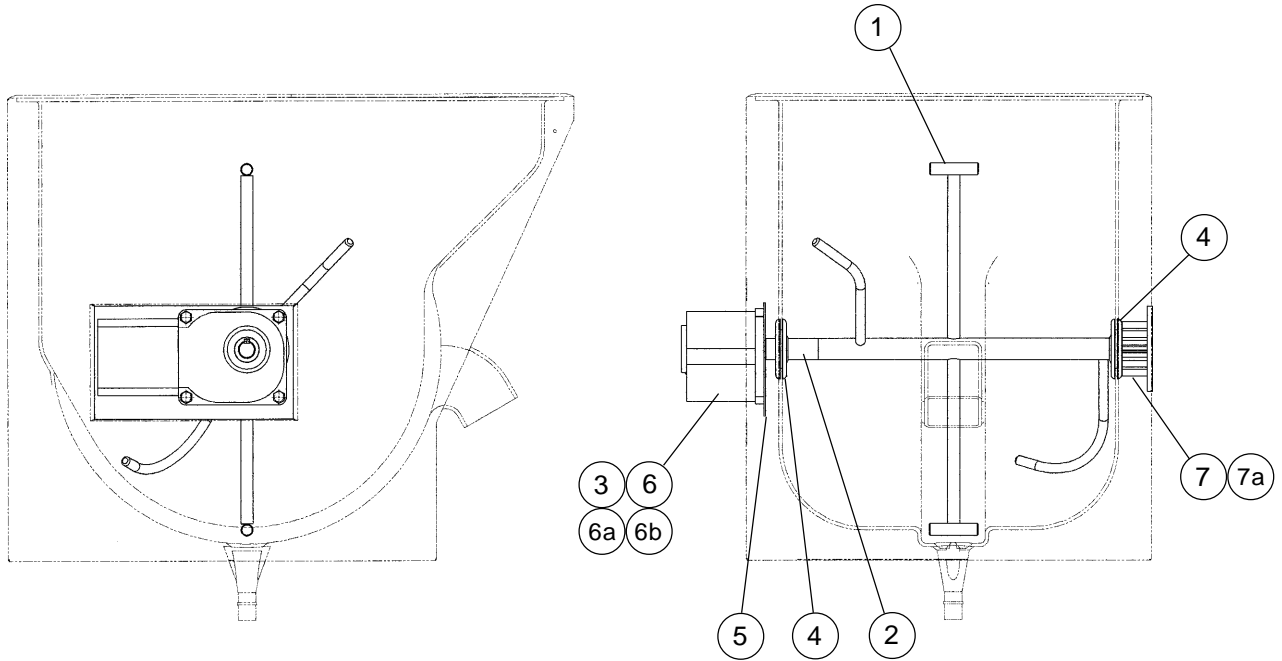
SIDE PANEL DETAIL

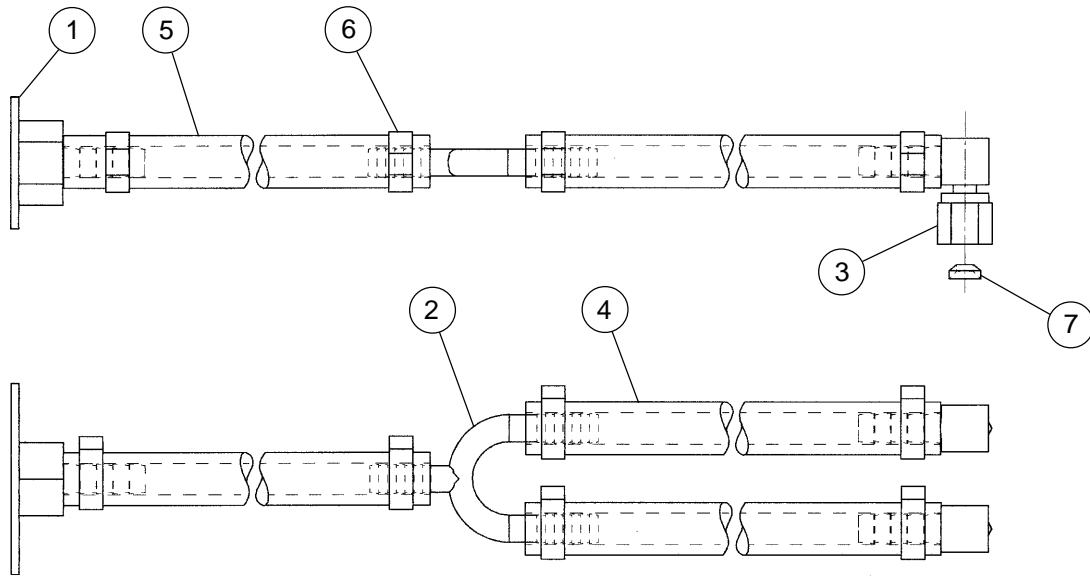


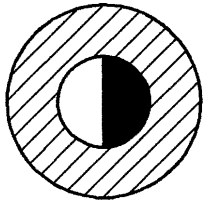
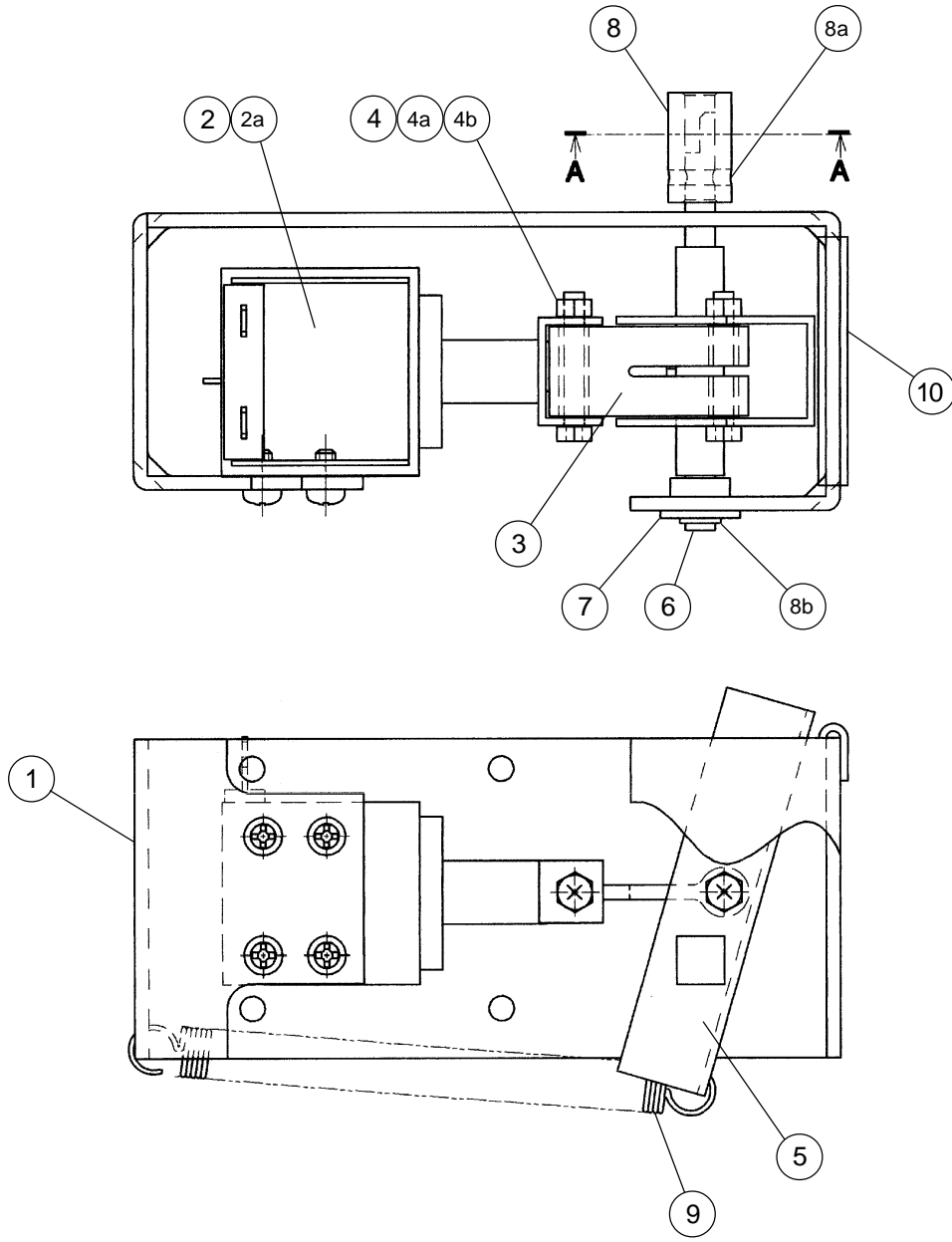
WATER VALVE DETAIL

MODEL: DM-90A TITLE: A. ICE DISPENSER ASSEMBLY										
INDEX NO.	DESCRIPTION	MATERIAL OR MODEL NUMBER	PART NUMBER	REQUIRED NUMBER						
				J-0						
B	DRIVE ASSY	-	1A0181A01	1						
C	WATER CIRCUIT	-	3A0760G01	1						
C1	FT SCREW	4X8	7F31-0408	2						
D	SOLENOID ASSY	-	2A0881A01	1						
D1	HEX HEAD BOLT W/WASHER (LF)	4X10, SS	7B02-0410	4						
E	CONTROL BOX ASSY	-	2A1593A01	1						
E1	T2 SCREW	4X8	7P31-0408	4						
F	LABEL LOCATION	-	3A0814A01	1						
1	BASE	GS	2A0805G01	1						
2	DRAIN PAN BRKT	GS	3A0747G01	2						
2a	FT SCREW	4X8, SS	7F32-0408	4						
3	BASE FRAME	GS	3A0754G01	2						
3a	HEX HEAD BOLT	6X12	7B02-0612	8						
4	DRAIN PAN ASSY	ABS	2A1684G01	1						
4a	TRUSS HEAD SCREW	4X10, SS	7C32-0410	4						
5	PAD	ABS	436580-01	1						
5a	TRUSS HEAD SCREW	5X12, SS	7C32-0512	2						
6	BIN ASSY	-	2A0814G01	1						
6a	HEX HEAD BOLT	8X20	7B01-0820	4						
6b	SPLIT LOCK WASHER	8	7L21-0800	4						
6c	WASHER	8	7W21-800	4						
7	REAR FRAME	GS	3A0753-01	1						
7a	FT SCREW	4X8	7F31-0408	4						
8	TOP FRAME	GS	3A0748-01	1						
8a	FT SCREW	4X8	7F31-0408	4						
9	FRONT FRAME (A)	GS	2A0818-01	1						
9a	FT SCREW	4X8	7F31-0408	4						
10	FRONT FRAME (B)	GS	3A0749-01	1						
10a	FT SCREW	4X8	7F31-0408	4						
11	COLLAR BRACKET	GS	4A1154-01	1						

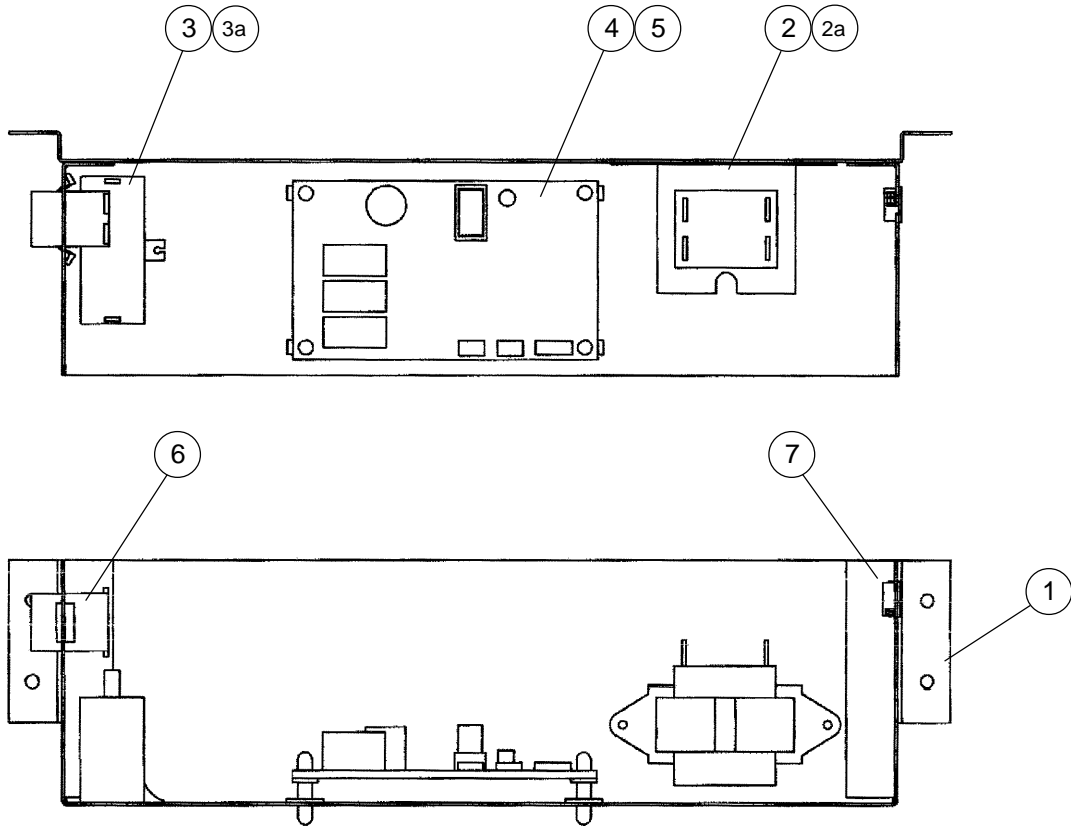
MODEL: DM-90A TITLE: A. ICE DISPENSER ASSEMBLY									
INDEX NO.	DESCRIPTION	MATERIAL OR MODEL NUMBER	PART NUMBER	REQUIRED NUMBER					
				J-0					
11a	FT SCREW	4X8	7F31-0408	2					
12	SHUTTER (A)	-	3A0756-01	1					
13	COLLAR SHUTTER	-	435533-01	1					
14	SHUTTER SHAFT	SS	4A1156-01	1					
15	SNAP PIN	SSP-6, SS	7155-0006	1					
16	FLOW RATE BRKT	SS	4A1155-01	1					
17	THUMBSCREW	ABS, SS	415949G01	4					
18	DISPENSING BRACKET	SS	3A0943-01	1					
19	WATER VALVE	202-FN-H18-1101	4A1225-01	1					
20	ANGLE (A)	GS	3A0750-01	1					
20a	T2 SCREW	4X8	7P31-0408	3					
21	FITTING DRAIN	-	438729-01	1					
22	DRAIN HOSE	EPDM	436315-03	1					
23	INSULATION TUBE	L=105	7762-2943	1					
24	HOSE CLAMP	HC1031	4A2017-02	1					
25	HOSE CLAMP	HC1250	4A2017-03	1					
26	POWER SUPPLY CORD	-	4A1773-01	1					
27	BUSHING	SR-4K-4	420472-01	1					
28	WIRE SADDLE	VWS4274-C	4A0338-03	6					
29	REAR PANEL	GS	2A0821-01	1					
29a	FT SCREW	4X8, SS	7F32-0408	1					
30	SIDE PANEL (R)	SS	2A0823G01	1					
30a	FT SCREW	4X8, SS	7F32-0408	7					
31	ROCKER SWITCH	1801.1102	4A0418-01	1					
32	SIDE PANEL (L)	SS	2A0822G01	1					
32a	FT SCREW	4X8, SS	7F32-0408	7					
33	CONTROL BOX COVER	GS	3A1258-01	1					
33a	T2 SCREW	4X8	7P31-0408	2					
34	FRONT PANEL BRACKET (C)	GS	4A0334-01	2					
34a	FT SCREW	4X8	7F31-0408	2					

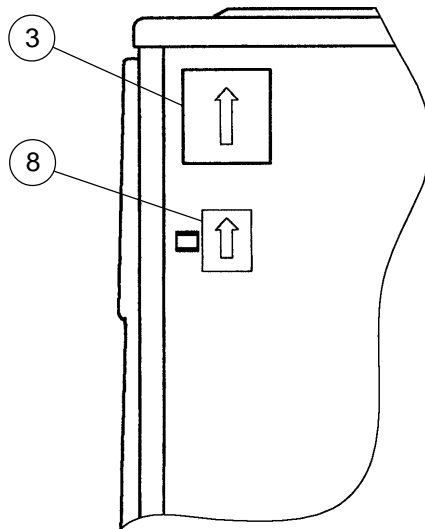
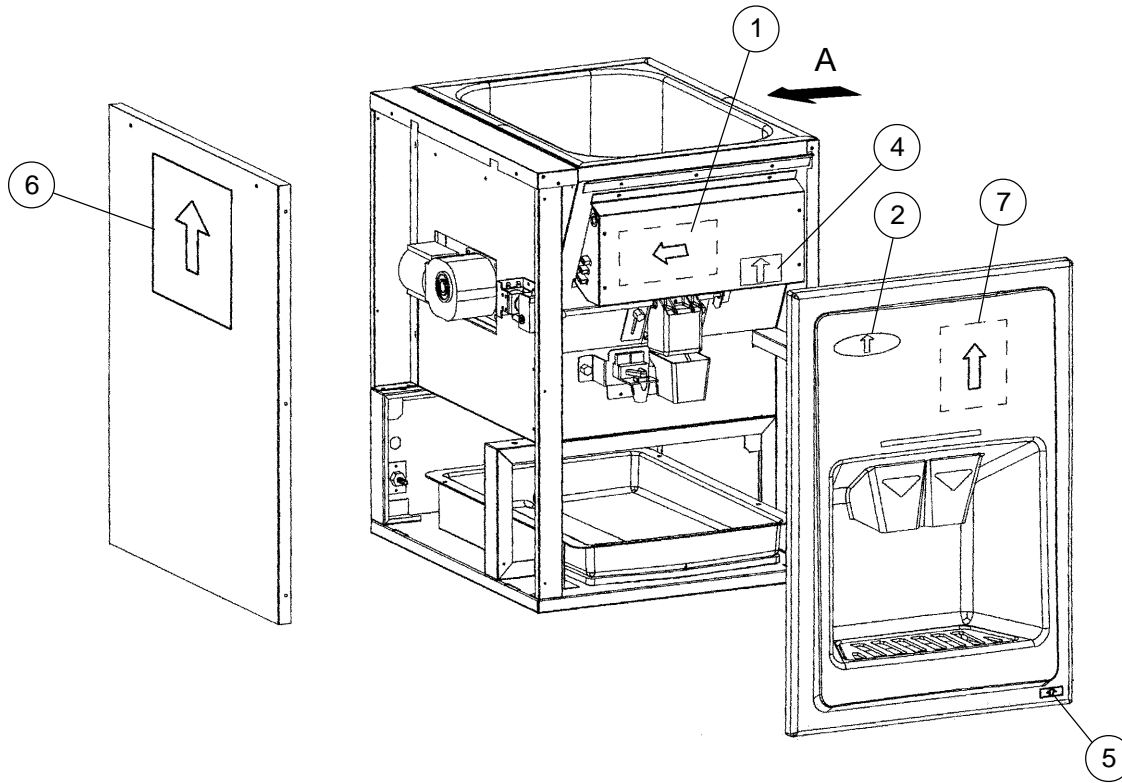






SECTION A-A





VIEW A

