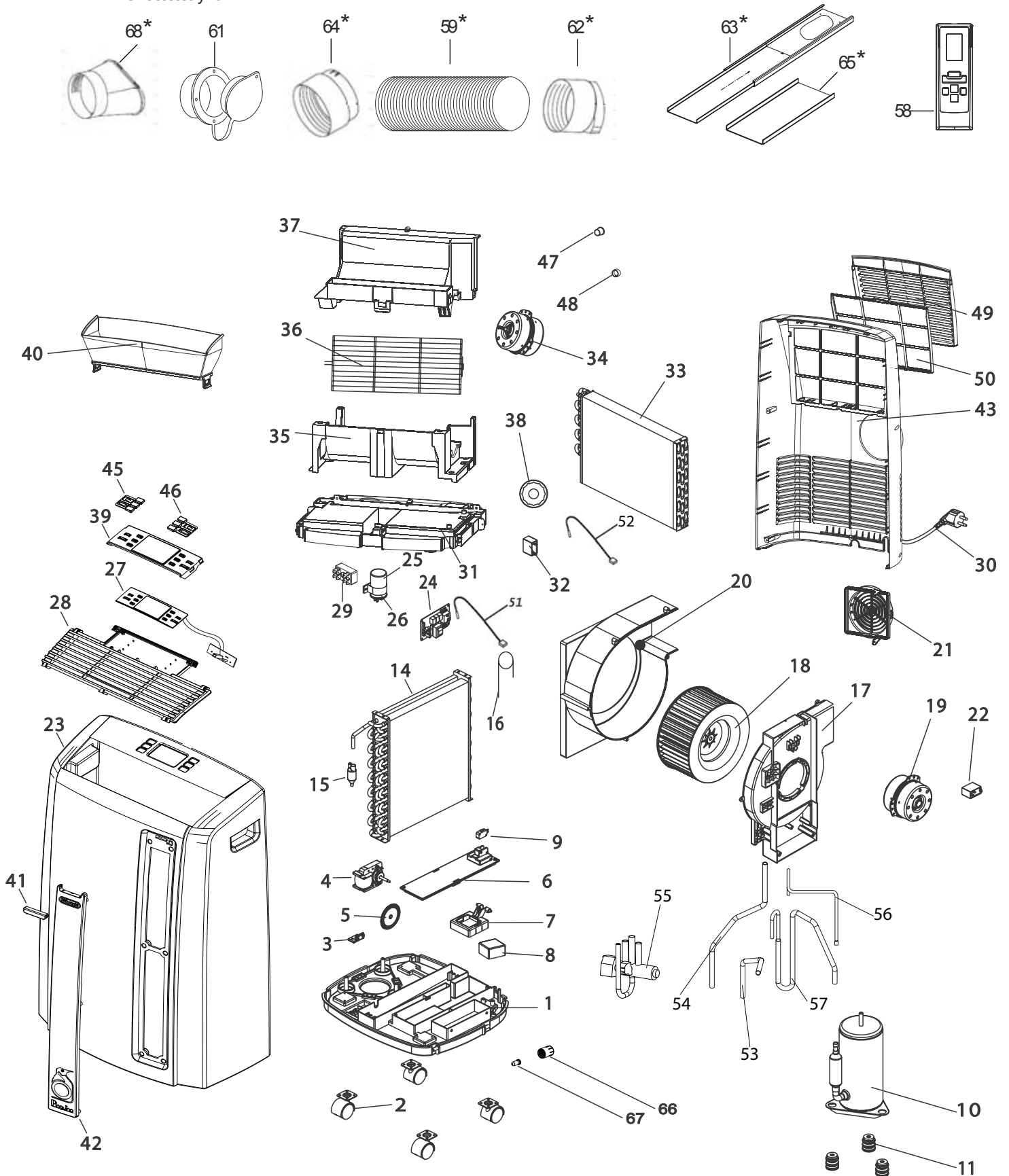


\*newaccessory2012



**DE'LONGHI**  
**US PACAN130HPEL**

| Pos. | Code   | Description                  |
|------|--------|------------------------------|
| 01   | NE1981 | SUPPORT BASE                 |
| 02   | NE1072 | CASTOR                       |
| 03   | NE1629 | CLIP CLAMP                   |
| 04   | NE2040 | FAN MOTOR                    |
| 05   | NE1631 | IMPELLER                     |
| 06   | NE1627 | COVER                        |
| 07   | NE1074 | FLOAT                        |
| 08   | NE1628 | FLOAT                        |
| 09   | NE1006 | MICROSWITCH                  |
| 10   | NE1715 | COMPRESSOR                   |
| 11   | NE1633 | RUBBER PAD                   |
| 14   | NE2041 | CAPACITOR                    |
| 15   | NE1710 | FILTER                       |
| 16   | NE1088 | CAPILLARY                    |
| 17   | NE1638 | BODY                         |
| 18   | NE1639 | FAN                          |
| 19   | NE2042 | MOTOR                        |
| 20   | NE1641 | BODY                         |
| 21   | NE1972 | GRID                         |
| 22   | NE1693 | CAPACITOR                    |
| 23   | NE1973 | FRONT PANEL                  |
| 24   | NE1974 | POWER BOARD                  |
| 25   | NE1716 | CAPACITOR                    |
| 26   | NE1517 | SUPPORT                      |
| 27   | NE1975 | BOARD DISPLAY BOARD RECEIVER |
| 28   | NE1976 | GRID                         |
| 29   | NE1035 | TERMINAL                     |
| 30   | NE1697 | POWER SUPPLY CORD            |
| 31   | NE1650 | SEPARATOR                    |
| 32   | NE1034 | CAPACITOR                    |
| 33   | NE2043 | EVAPORATOR                   |
| 34   | NE1699 | FAN MOTOR                    |
| 35   | NE1653 | DUCT LOWER                   |
| 36   | NE1654 | FAN                          |
| 37   | NE1655 | DUCT UPPER                   |
| 38   | NE1656 | BEARING                      |
| 39   | NE1977 | CONTROL PANEL                |

**DE'LONGHI**  
**US PACAN130HPEL****PACAN130HPEL**

|    |            |                  |
|----|------------|------------------|
| 40 | NE2044     | DUCT             |
| 41 | 5915110801 | GLASS            |
| 42 | 5915110711 | FRONT PIECE      |
| 43 | NE1978     | REAR PANEL       |
| 45 | 5915110691 | KEYBOARD SX      |
| 46 | 5915110701 | KEYBOARD DX      |
| 47 | NE1979     | STOPPER          |
| 48 | NE1666     | STOPPER          |
| 49 | NE1980     | GRID             |
| 50 | NE1668     | FILTER           |
| 51 | NE1718     | ROOM TEMP. PROBE |
| 52 | NE2017     | NO - ICE PROBE   |
| 53 | NE1756     | TUBE             |
| 54 | NE1757     | TUBE             |
| 55 | NE1960     | FOUR WAY VALVE   |
| 56 | NE1741     | TUBE             |
| 57 | NE1740     | TUBE             |
| 58 | 5515110351 | REMOTE CONTROL   |
| 59 | NE1949     | TUBE             |
| 61 | 5351050600 | FLANGE STOPPER   |
| 62 | NE1950     | ADAPTER          |
| 63 | NE1946     | ASS. BRACKET     |
| 64 | NE1370     | ADAPTER          |
| 65 | NE1947     | EXTENSION        |
| 66 | NE1995     | STOPPER          |
| 67 | NE1215     | STOPPER          |
| 68 | NE1948     | VENT             |