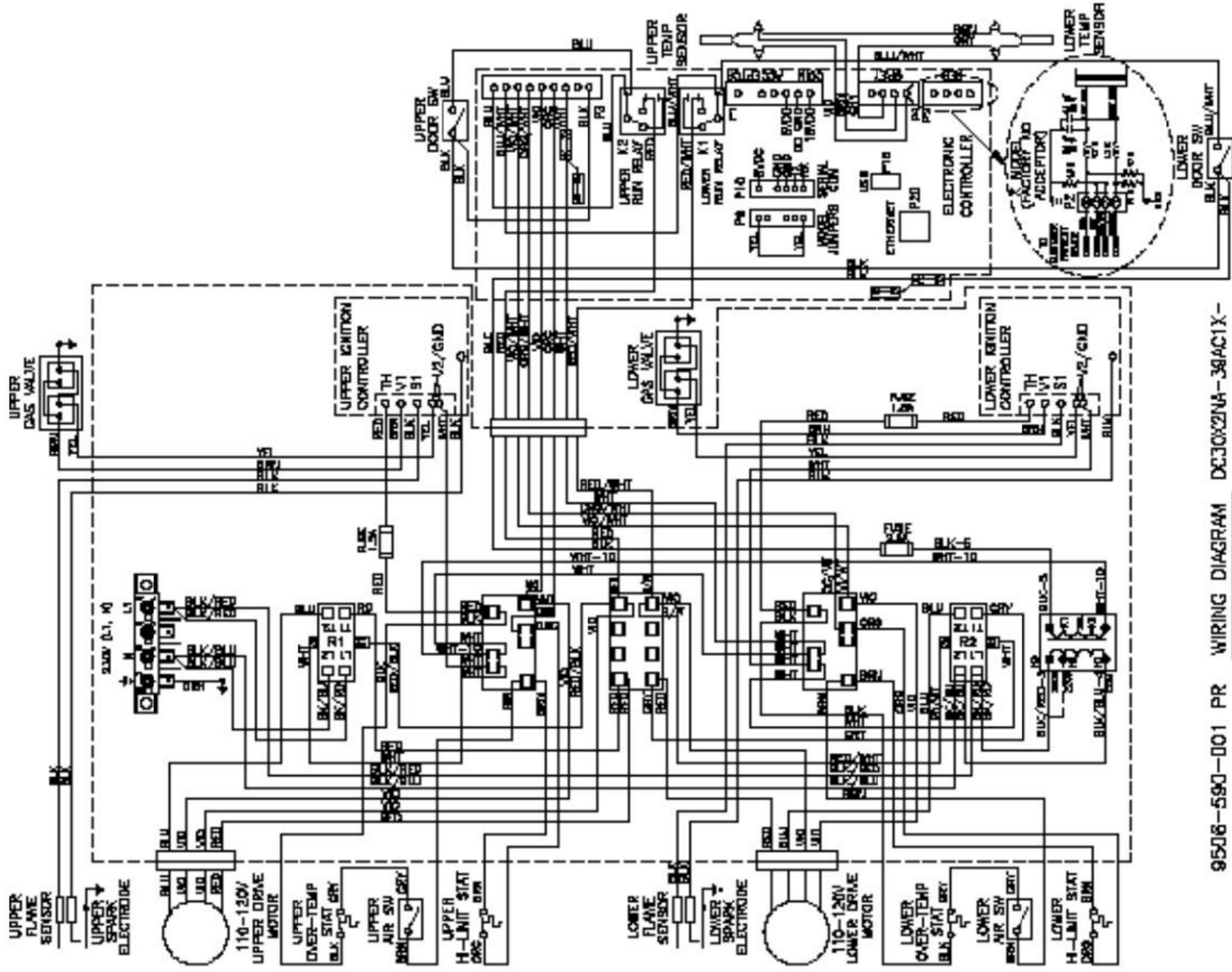
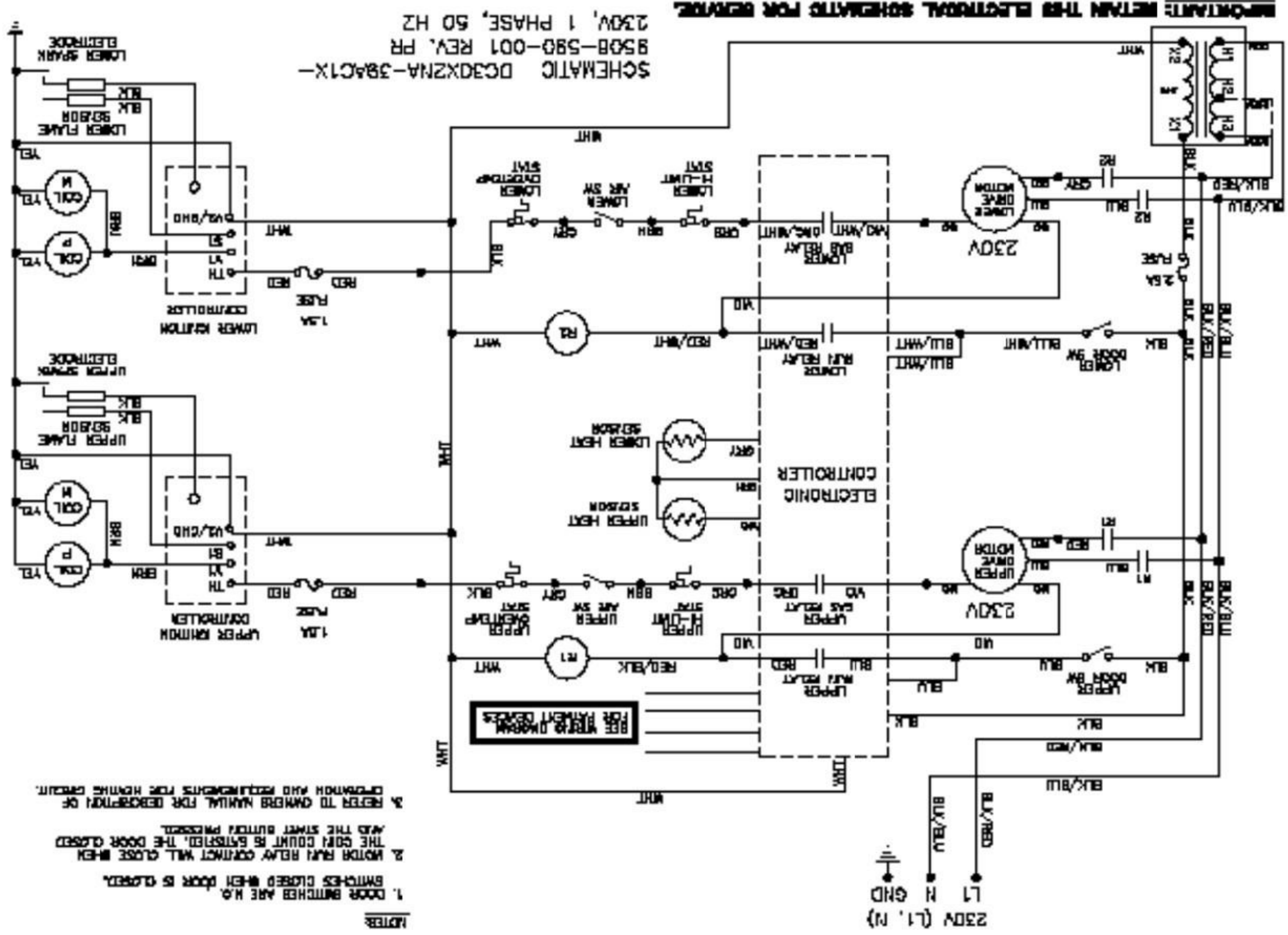


9506-645-001A WIRING DIAGRAM DC30X2N_-59CC_X-



9506-590-001 PR WIRING DIAGRAM DC30X2NA-38AC1X-

IMPORTANT: RETAIN THIS ELECTRICAL DIAGRAM FOR SERVICE.



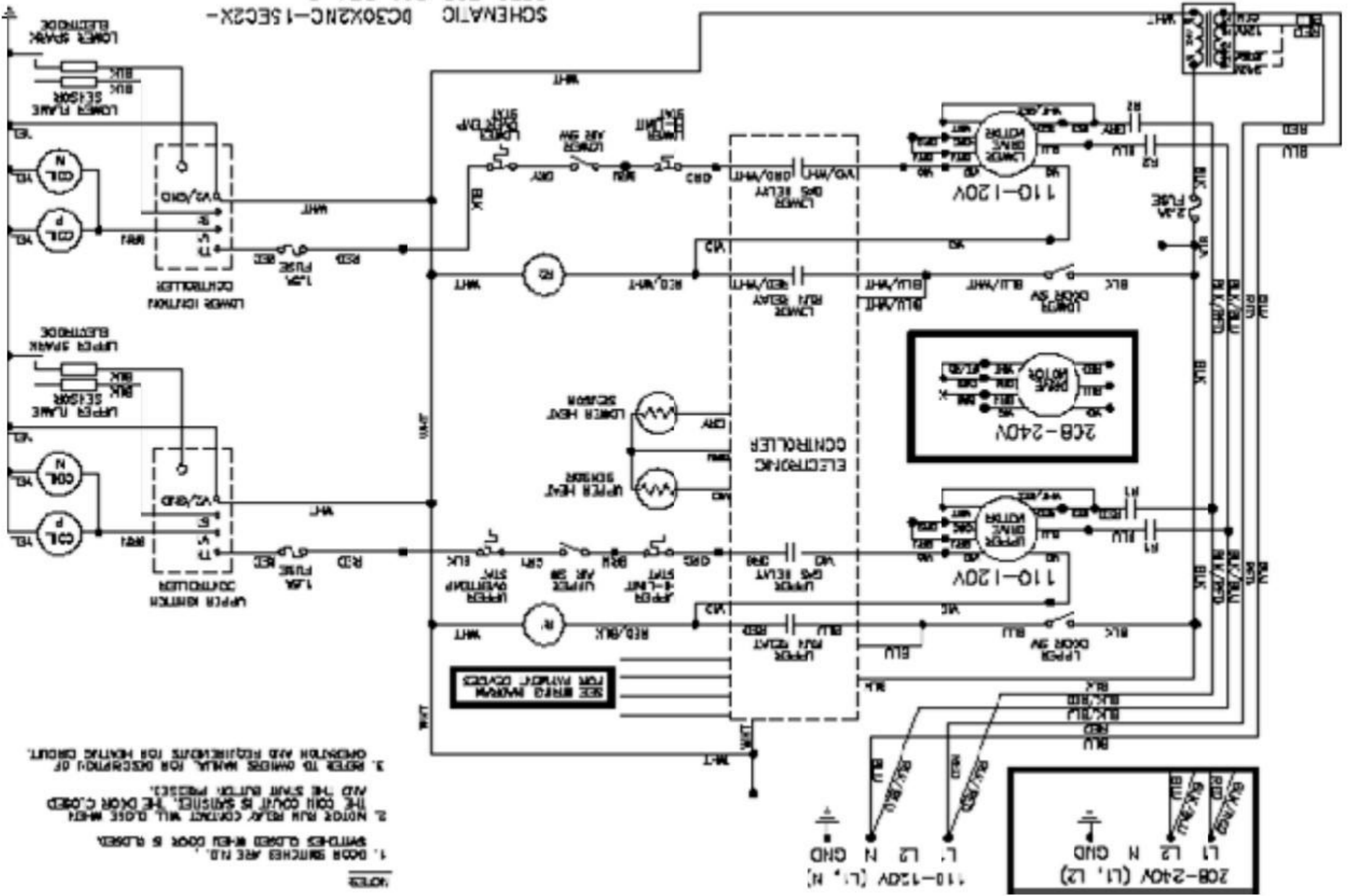
SCHEMATIC DC3DX2NA-38AC1X-
 950B-590-001 REV. PR
 230V, 1 PHASE, 50 HZ

IMPORTANT: WITHIN THE ELECTRICAL SCHEMATIC FOR SERVICE

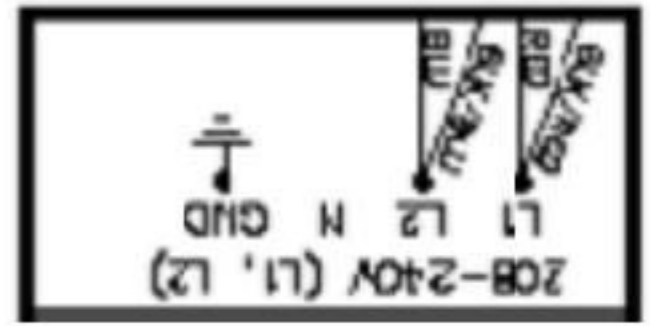
- NOTES**
1. DOOR SWITCHES ARE N.O. SWITCHES CLOSED WHEN DOOR IS CLOSED.
 2. MOTOR FAULT RELAY CONTACT WILL CLOSE WHEN THE COIL COUNT IS EXHAUSTED. THE DOOR CLOSED AND THE START BUTTON PRESSED.
 3. REFER TO OWNER'S MANUAL FOR DESCRIPTION OF OPERATION AND REQUIREMENTS FOR HEATING CIRCUIT.

IMPORTANT: RETAIN THIS ELECTRICAL SCHEMATIC FOR SERVICE

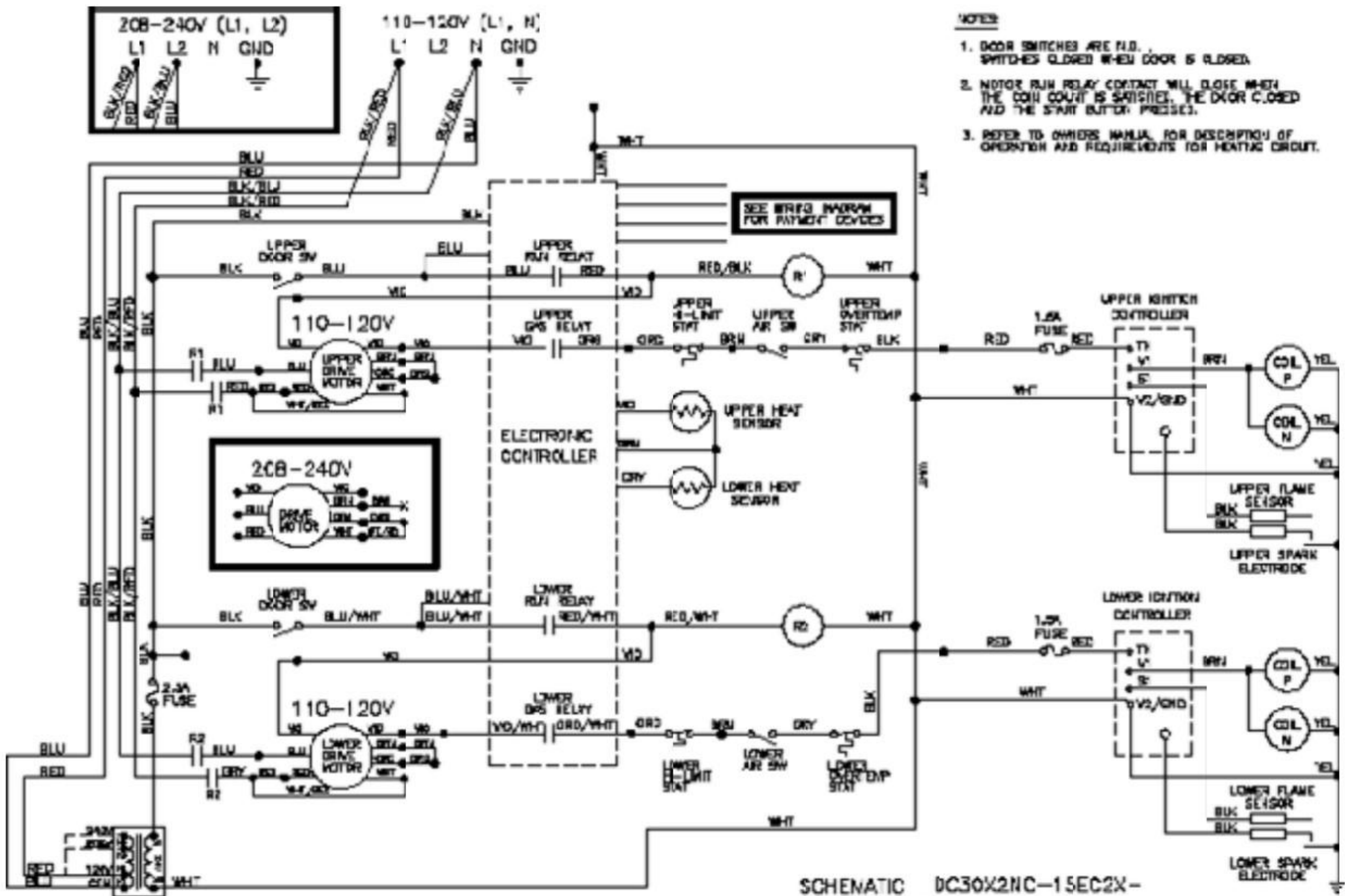
SCHEMATIC DC30X2NC-15EC2X-
 8508-595-D01 REV. B
 10-120/208-240V, 1 PHASE, 60 HZ



- NOTES**
1. DOOR SWITCHES ARE N.O. SWITCHES CLOSED WHEN DOOR IS CLOSED.
 2. MOTOR RUN RELAY CONTACT WILL CLOSE WHEN THE COIL CIRCUIT IS SUPPLIED. THE DOOR CLOSED AND THE START BUTTON PRESSED.
 3. REFER TO OWNERS MANUAL FOR DESCRIPTION OF OPERATION AND REQUIREMENTS FOR HEATING CIRCUIT.



SEE WIRING DIAGRAM FOR WIREPOINT LOCATIONS



NOTES

1. DOOR SWITCHES ARE N.O. SWITCHES CLOSED WHEN DOOR IS CLOSED.
2. MOTOR RUN RELAY CONTACT WILL CLOSE WHEN THE COIL COULT IS SATISFIED, THE DOOR CLOSED AND THE START BUTTON PRESSED.
3. REFER TO OWNERS MANUAL FOR DESCRIPTION OF OPERATION AND REQUIREMENTS FOR HEATING CIRCUIT.

SCHMATIC DC30X2NC-15EC2X-
9506-595-D01 REV. B
110-120/208-240V, 1 PHASE, 60 HZ

IMPORTANT: RETAIN THIS ELECTRICAL SCHEMATIC FOR SERVICE.