

POWER TO
DISPLAY BOARD
1 - +8V
2 - GROUND
I/O TO DISP.
1 TO 1
2 TO 2

1 - +12V FOR D1 AND D2ANS
2 - D1 ANS RETURN
3 - D2 ANS RETURN
4 - +12V FOR D3 AND D4ANS
5 - D3 ANS RETURN
6 - D4 ANS RETURN

BOARD CONNECT OR MAP

1 - COMMON FOR D1 AND D2 DRW SWITCHES
2 - D1 SWITCH
3 - D2 SWITCH
4 - COMMON FOR D3 AND D4 DOOR SWITCHES
5 - D3 SWITCH
6 - D4 SWITCH

J29
1 - D1 FRAME HEATER
2 - NC
3 - D2 FRAME HEATER

J30
1 - D3 FRAME HEATER
2 - NC
3 - D4 FRAME HEATER

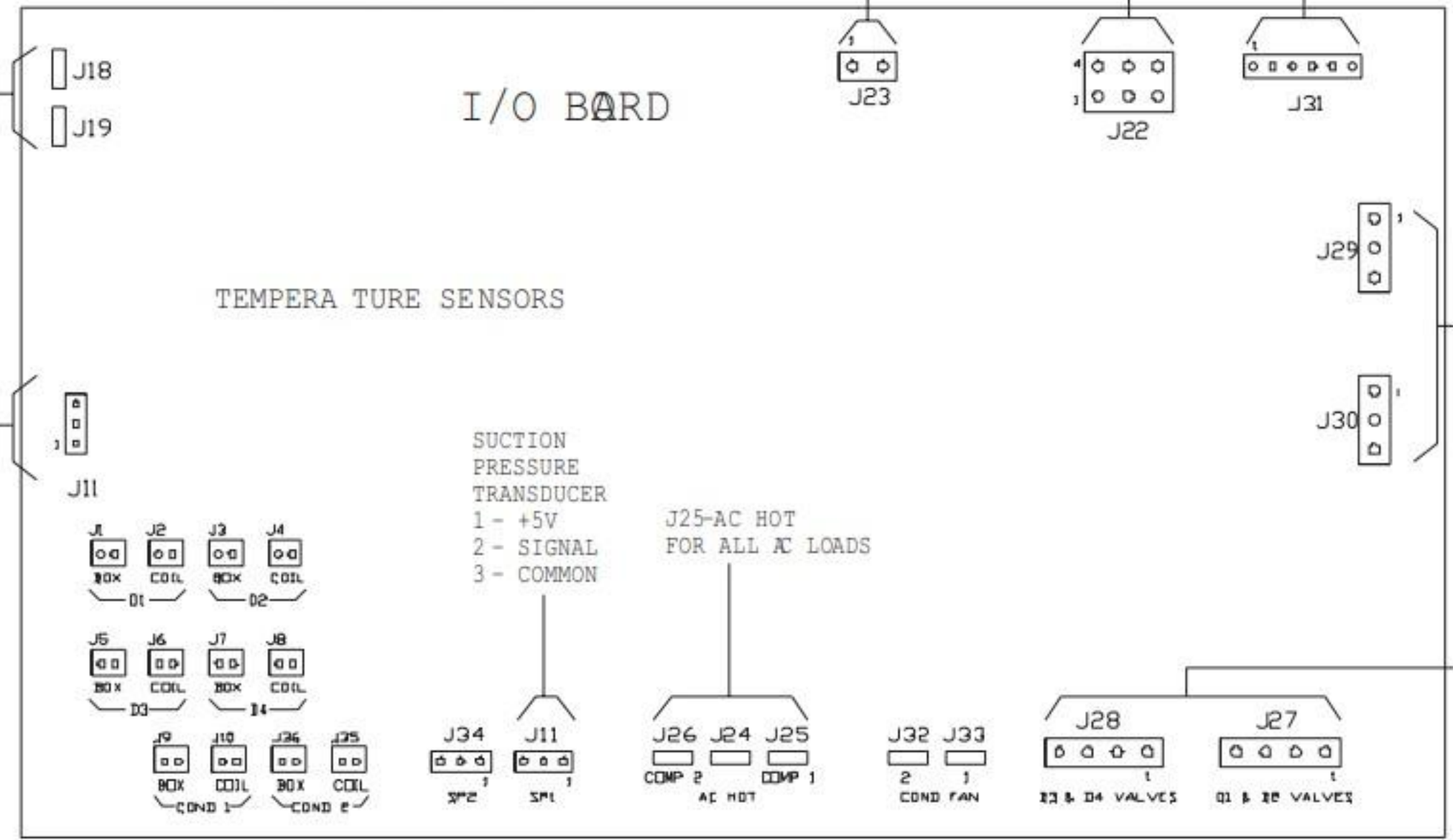
J27
1 - D1 REFG.SOLENOID
2 - D1 HO GAS SOLENOID
3 - D2 REFG.SOLENOID
4 - D2 HO GAS SOLENOID

J28
1 - D3 REFG.SOLENOID
2 - D3 HO GAS SOLENOID
3 - D4 REFG.SOLENOID
4 - D4 HO GAS SOLENOID

85-265VAC
50/60 HZ
CONTR OL POWER

COMMUNICATION CABLE
TO DISPLAY BOARD
I/O TO DISP.

PREFER SHIELDED
TWISTED PAIR.
1 AND 2 TWISTED,
3 SHIELD



I/O BOARD

TEMPERATURE SENSORS

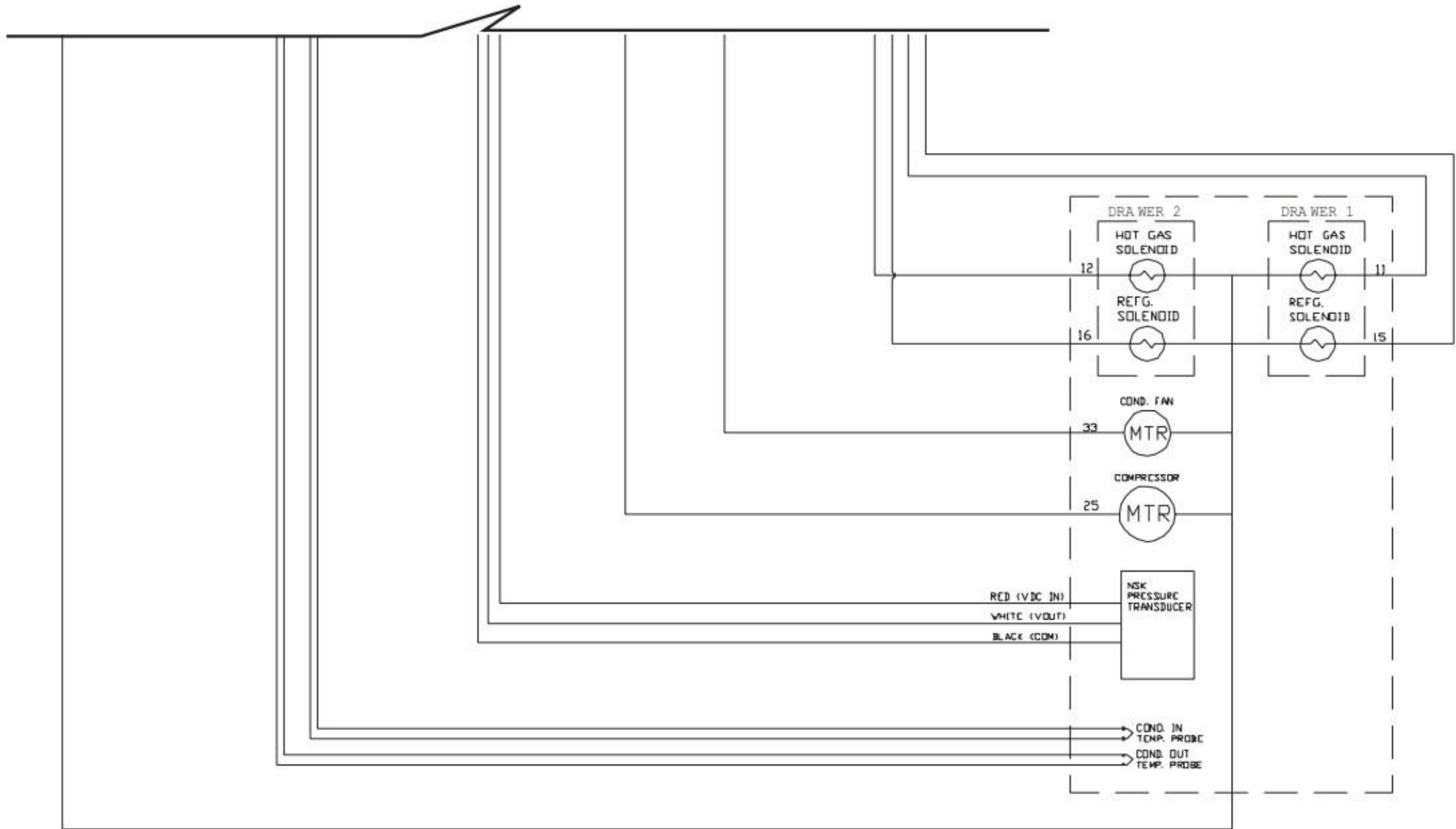
SUCTION
PRESSURE
TRANSDUCER
1 - +5V
2 - SIGNAL
3 - COMMON

J25-AC HOT
FOR ALL AC LOADS

J26 J24 J25
COMP 2 AC HOT COMP 1

J32 J33
2 1
COND FAN

J28 J27
23 & D4 VALVES Q1 & R2 VALVES



DISPLAY BOARD

POWER TO I/O BOARD
1 - +8V
2 - GROUND
DISP. TO I/O
1 TO 1
2 TO 2

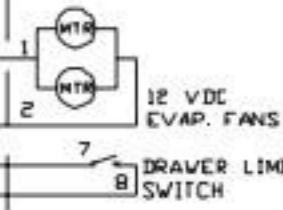
COMMUNICATION CABLE
TO I/O BOARD
DISP. TO I/O
1 TO 1
2 TO 2
3 TO 3
PREFER SHIELDED TWISTED
PAIR. 1 AND 2 TWISTED,
3 SHIELD

CONTR OL
POWER

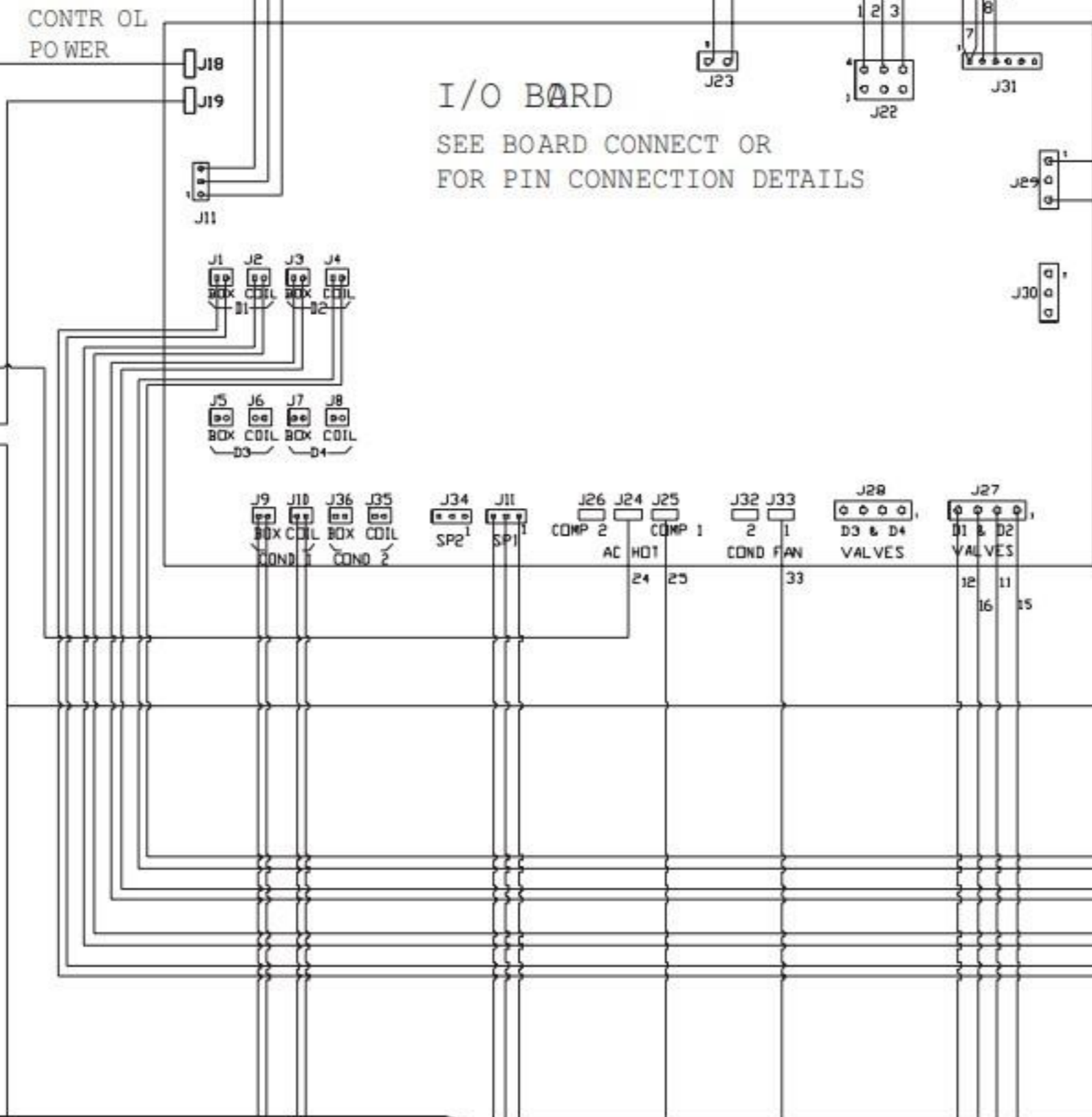
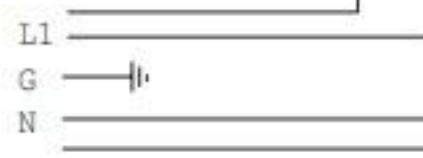
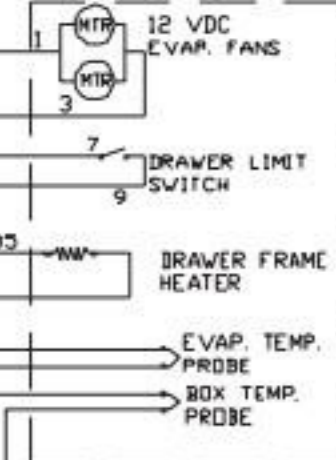
I/O BOARD

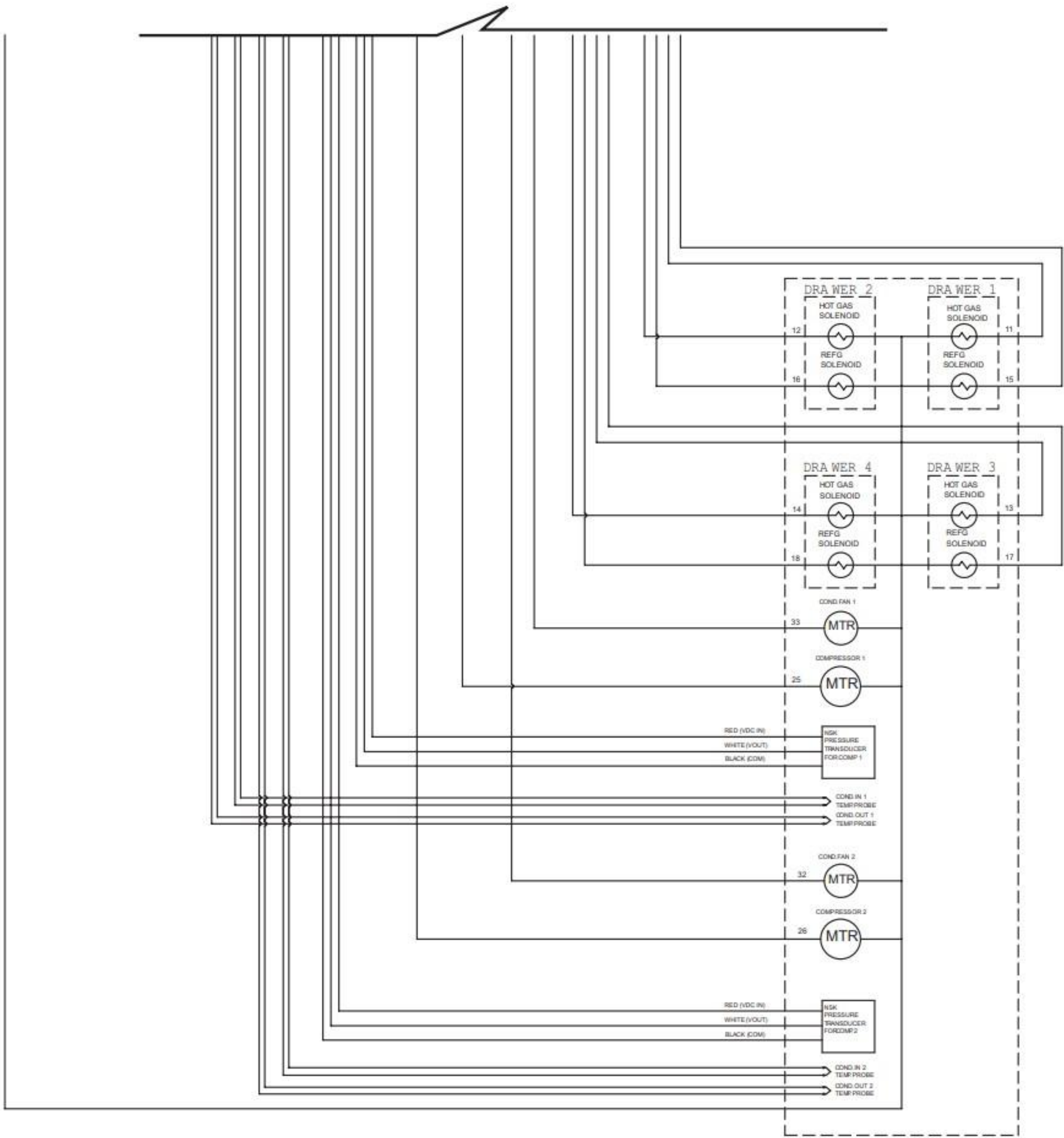
SEE BOARD CONNECT OR
FOR PIN CONNECTION DETAILS

BOX 1



BOX 2





BOARD CONNECT OR MAP

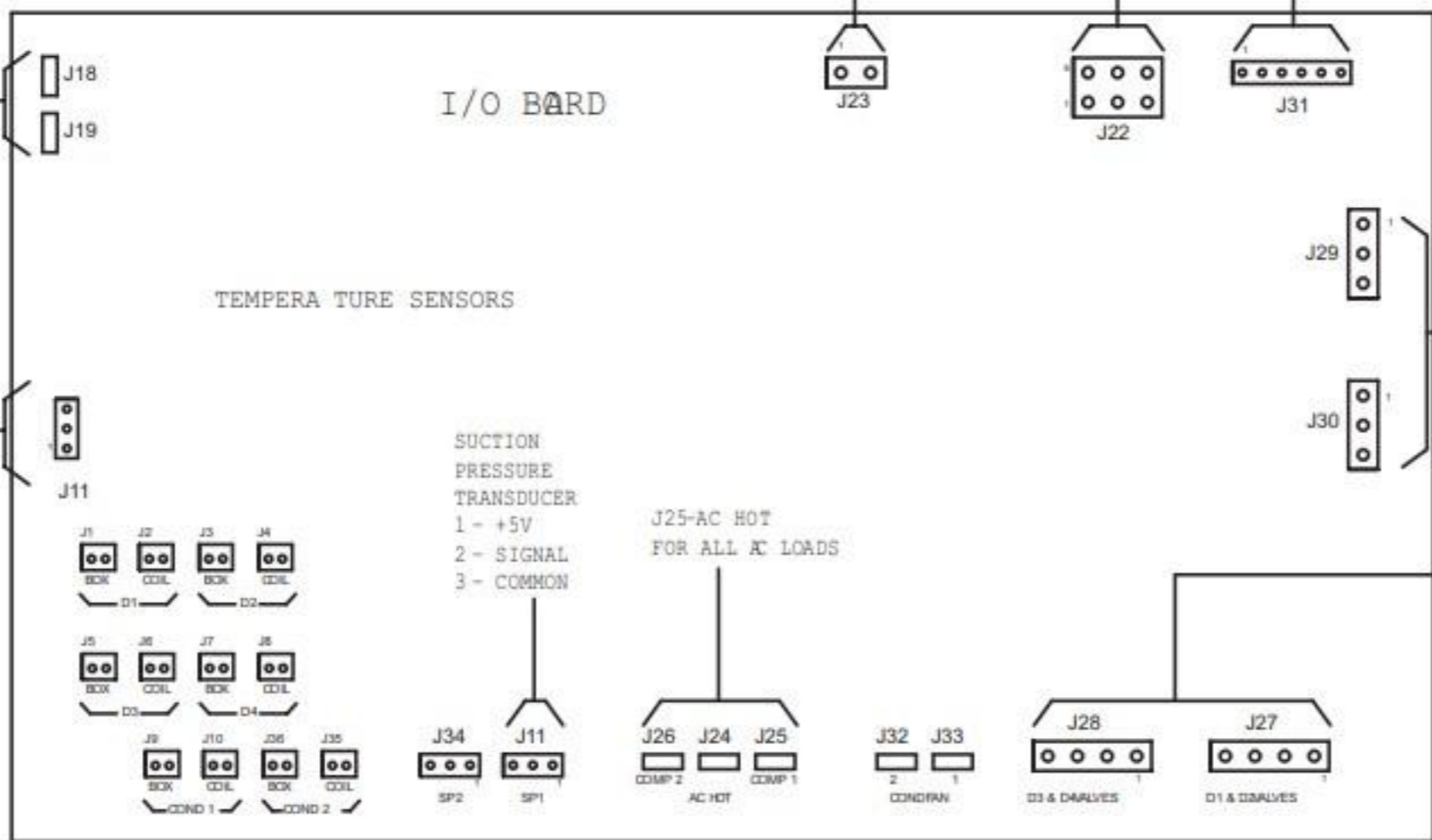
POWER TO
DISPLAY BOARD
1 - +8V
2 - GROUND
I/O DISC
1 TO 1
2 TO 2

1 - +12V FOR D1 AND D2ANS
2 - D1 ENS RETURN
3 - D2 ENS RETURN
4 - +12V FOR D3 AND D4ANS
5 - D3 ENS RETURN
6 - D4 ENS RETURN

1 - COMMON FOR D1 AND D2 DRW SWITCHES
2 - D1 SWITCH
3 - D2 SWITCH
4 - COMMON FOR D3 AND D4 DOOR SWITCHES
5 - D3 SWITCH
6 - D4 SWITCH

85-265VAC
50/60 HZ
CONTR OL POWER

COMMUNICATION CABLE
TO DISPLAY BOARD
I/O DISC
1 TO 1
2 TO 2
3 TO 3
PREFER SHIELDED
TWISTED PAIR.
1 AND 2 TWISTED,
3 SHIELD



J29
1- D1 FRAME HEATER
2- NC
3- D2 FRAME HEATER

J30
1- D3 FRAME HEATER
2- NC
3- D4 FRAME HEATER

J27
1- D1 REFG.SOLENOID
2- D1 HO GAS SOLENOID
3- D2 REFG.SOLENOID
4- D2 HO GAS SOLENOID

J28
1- D3 REFG.SOLENOID
2- D3 HO GAS SOLENOID
3- D4 REFG.SOLENOID
4- D4 HO GAS SOLENOID

I/O BOARD

TEMPERATURE SENSORS

SUCTION
PRESSURE
TRANSDUCER
1 - +5V
2 - SIGNAL
3 - COMMON

J25-AC HOT
FOR ALL AC LOADS

J26 J24 J25
COMP 2 AC HOT COMP 1

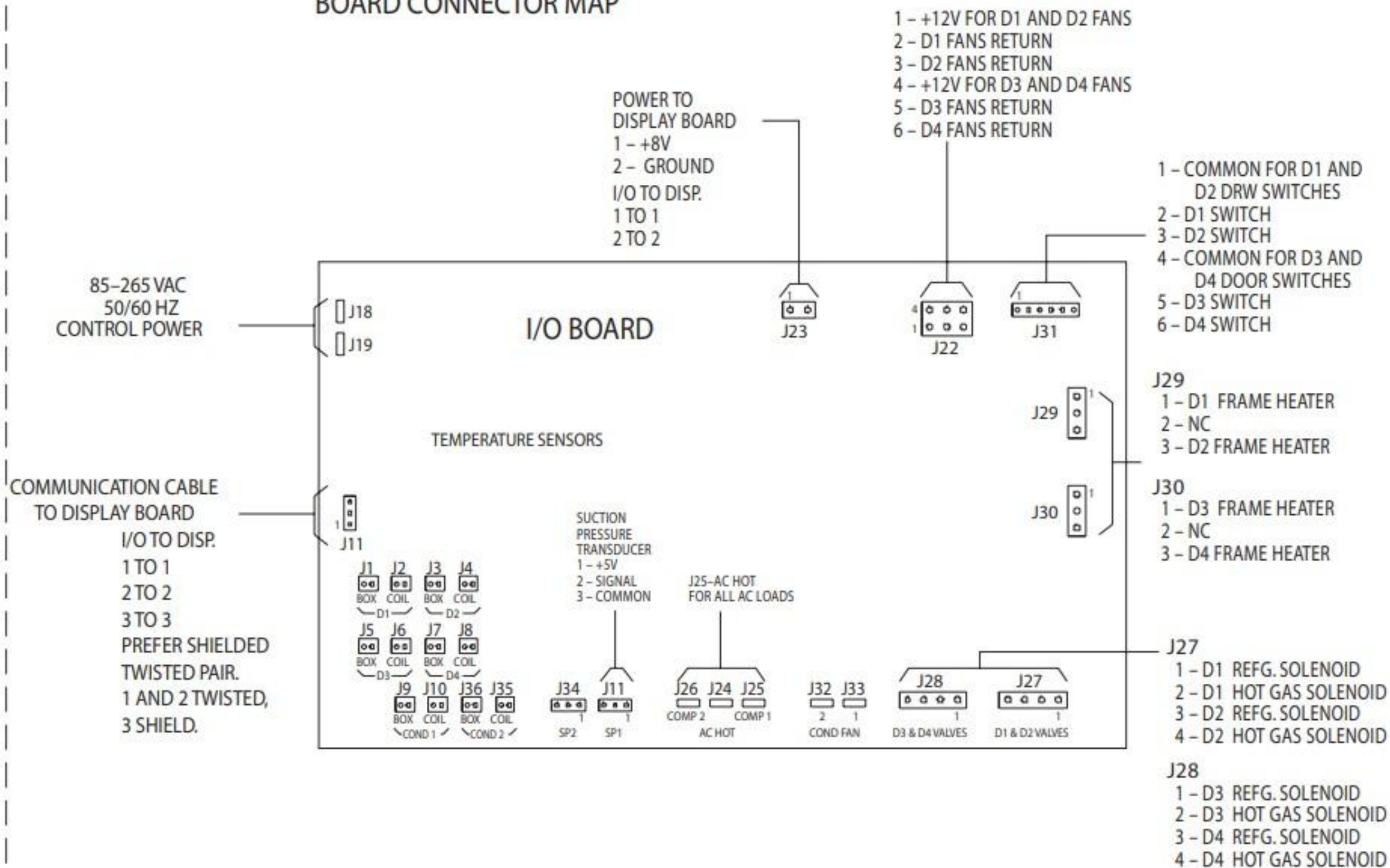
J32 J33
COND FAN

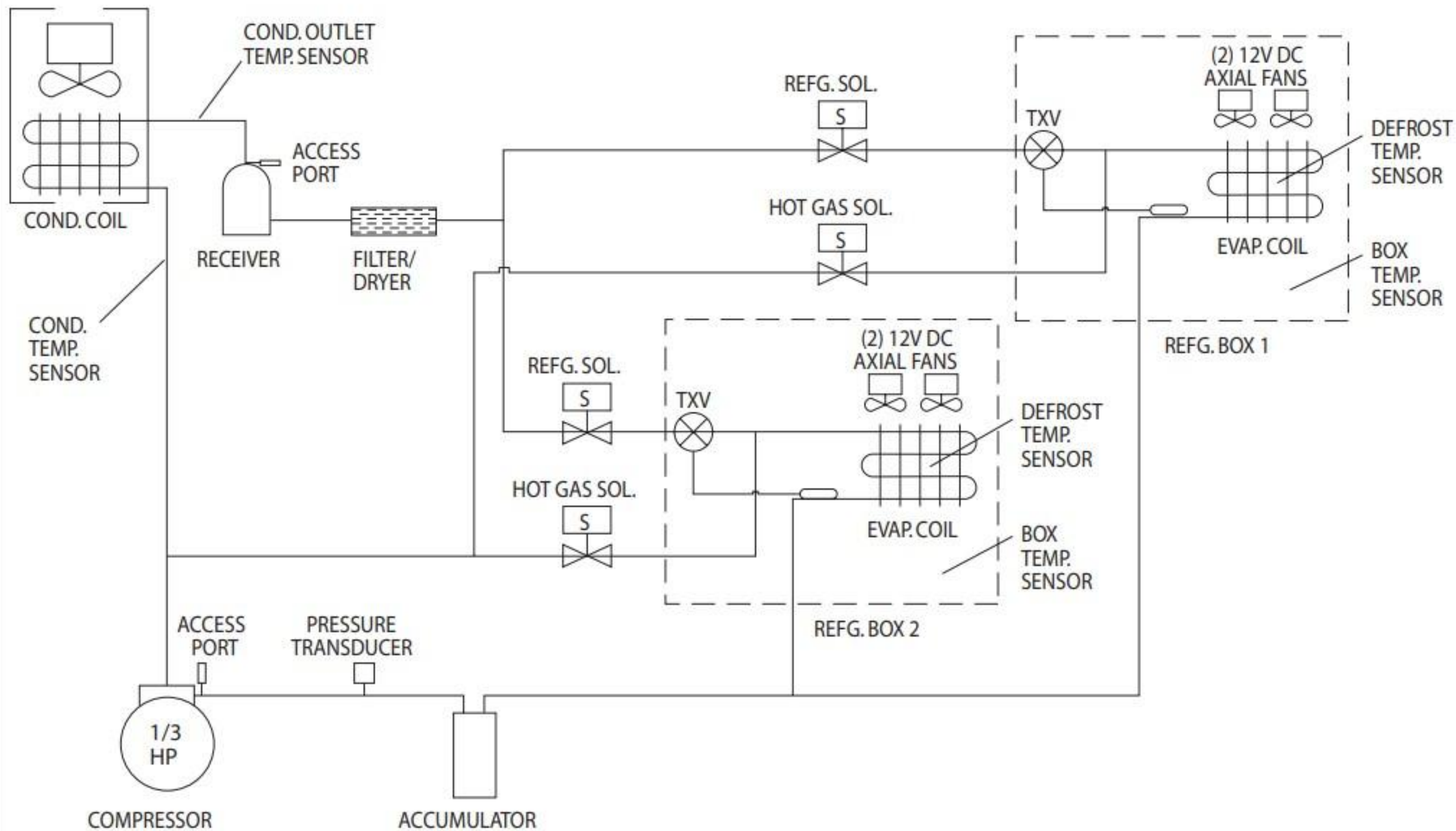
J28 J27
D3 & D4 VALVES D1 & D2 VALVES

J34 J11
SP2 SP1

J1 J2 J3 J4
COIL COIL COIL COIL
D1 D2
J5 J6 J7 J8
COIL COIL COIL COIL
D3 D4
J9 J10 J11 J12
COIL COIL COIL COIL
COND 1 COND 2

BOARD CONNECTOR MAP





THIS REPRESENTS A 2-DRAWER SYSTEM.

4-DRAWER UNIT IS COMPRISED OF TWO (2)
2-DRAWER SYSTEMS OPERATED BY ONE CONTROL.