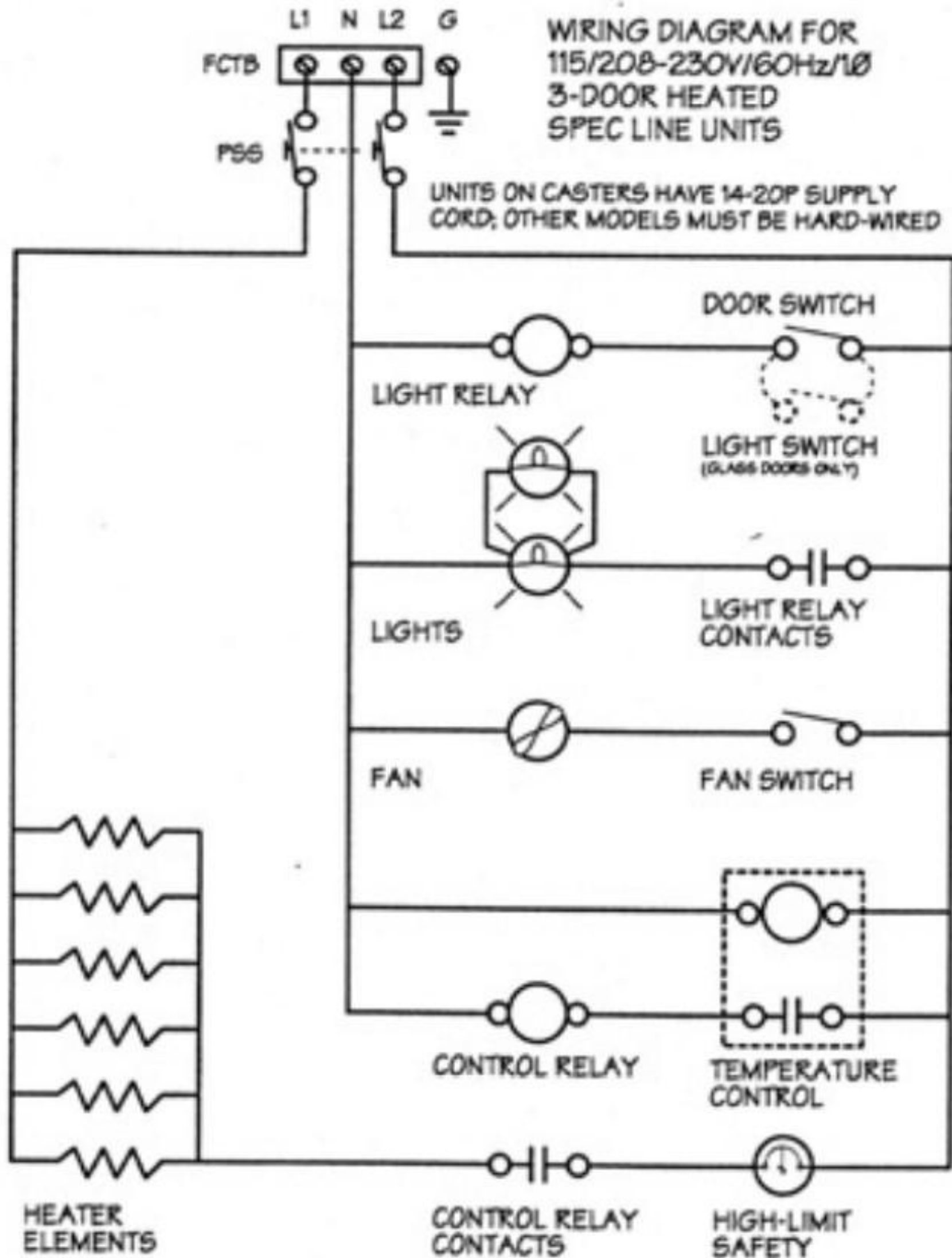
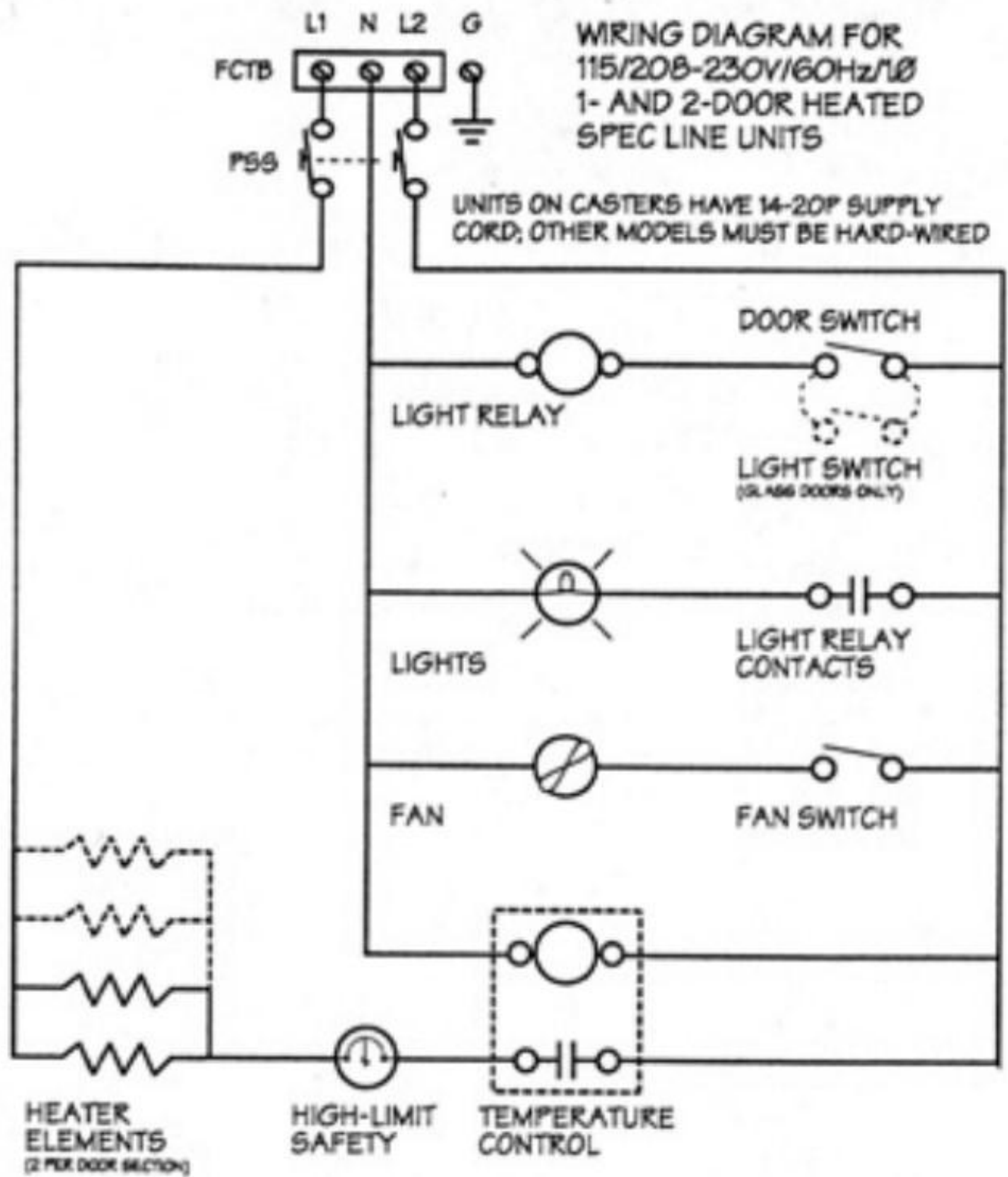


WIRING DIAGRAM FOR
115/208-230V/60Hz/1Ø
3-DOOR HEATED
SPEC LINE UNITS

UNITS ON CASTERS HAVE 14-20P SUPPLY
CORD; OTHER MODELS MUST BE HARD-WIRED

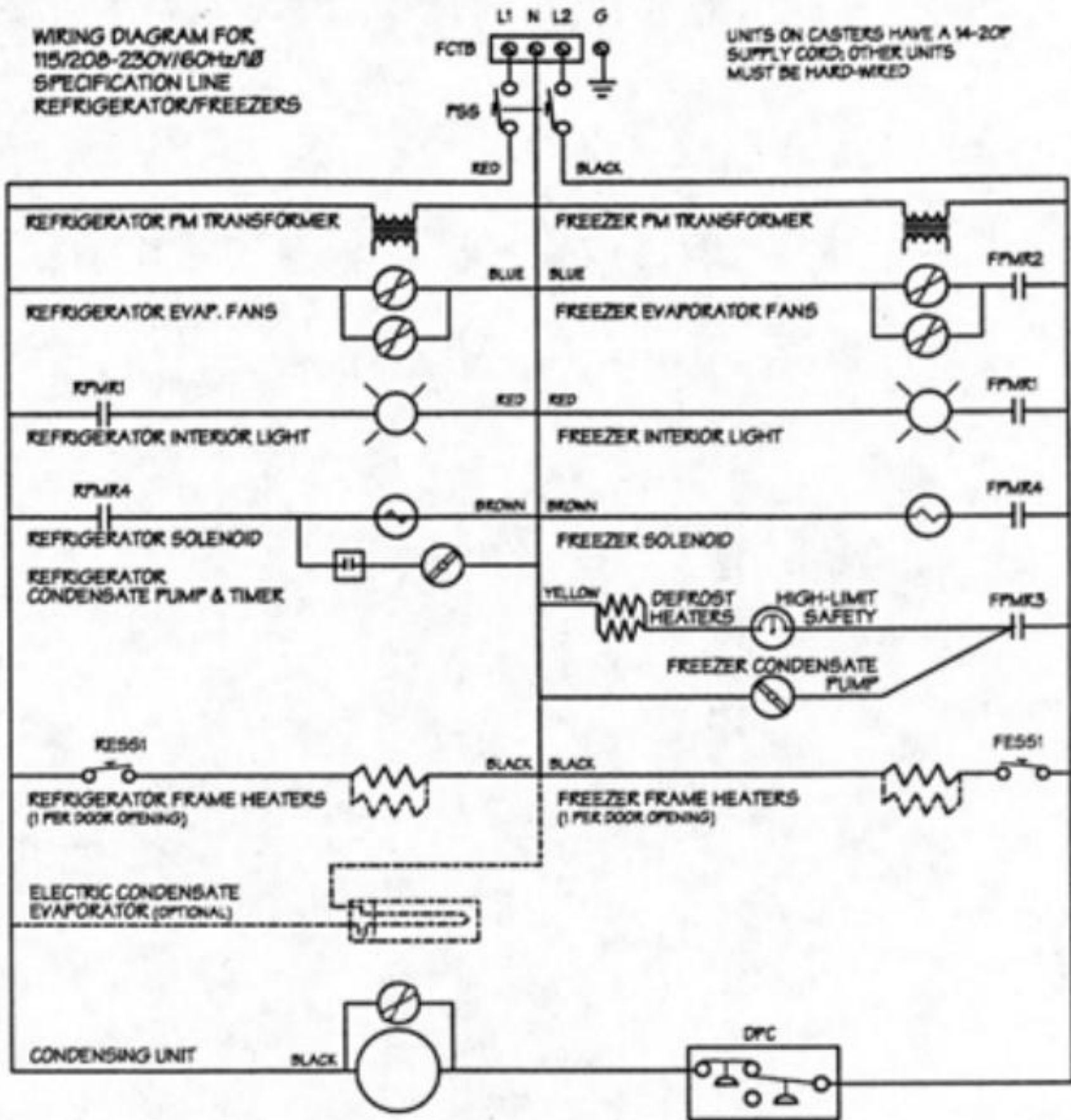


WIRING DIAGRAM FOR
115/208-230V/60Hz/1Ø
1- AND 2-DOOR HEATED
SPEC LINE UNITS



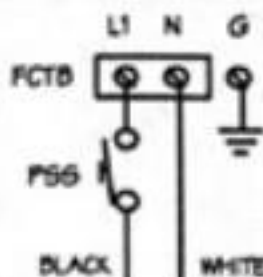
WIRING DIAGRAM FOR
115/208-230V/60Hz/1Ø
SPECIFICATION LINE
REFRIGERATOR/FREEZERS

UNITS ON CASTERS HAVE A 14-20P
SUPPLY CORD; OTHER UNITS
MUST BE HARD-WIRED



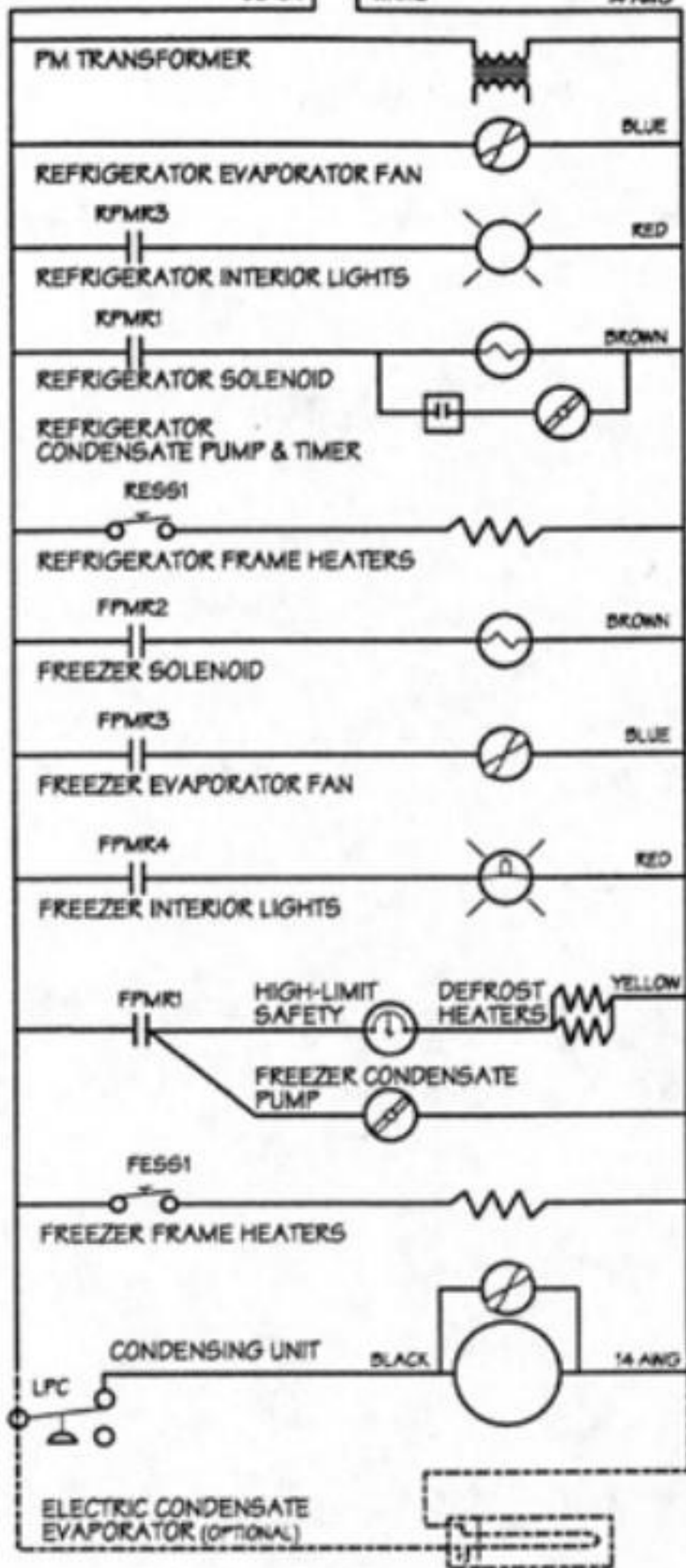
ALL WIRING AT LEAST 18 AWG UNLESS
OTHERWISE SPECIFIED

WIRING
DIAGRAM FOR
115V/60Hz/1Ø
SPEC LINE
REFRIG./
FREEZERS



SLR/F 29-S HAS
5-15P SUPPLY
CORD; SLR/F 56-S
HAS 5-20 P
SUPPLY CORD

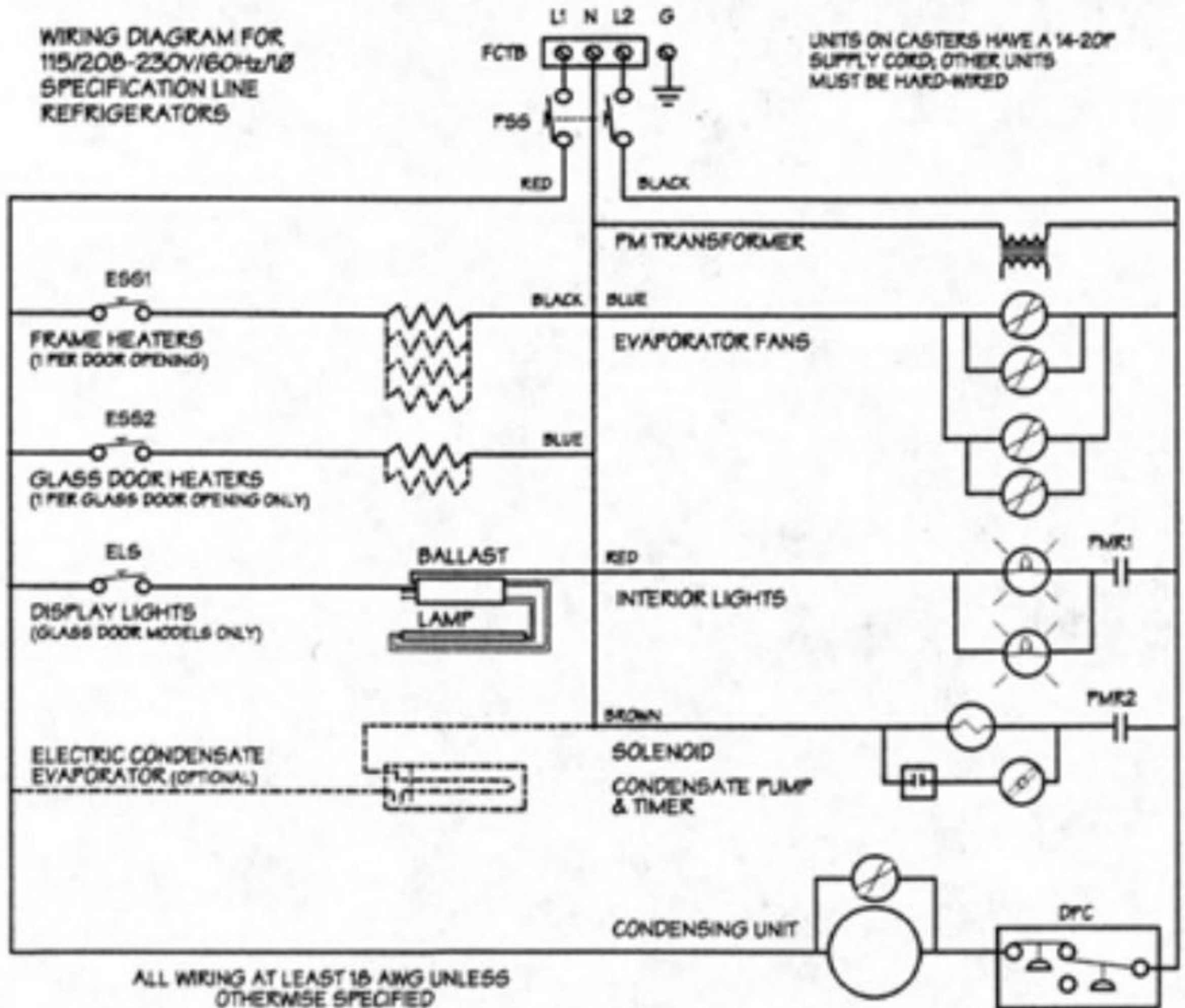
14 AWG



ALL WIRING AT LEAST 18 AWG UNLESS
OTHERWISE SPECIFIED

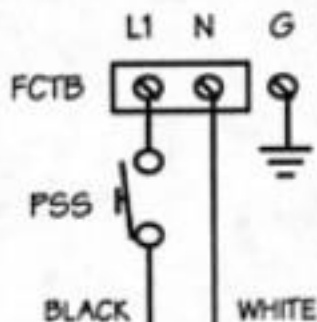
WIRING DIAGRAM FOR
115/208-230V/60Hz/1Ø
SPECIFICATION LINE
REFRIGERATORS

UNITS ON CASTERS HAVE A 14-20P
SUPPLY CORD; OTHER UNITS
MUST BE HARD-WIRED

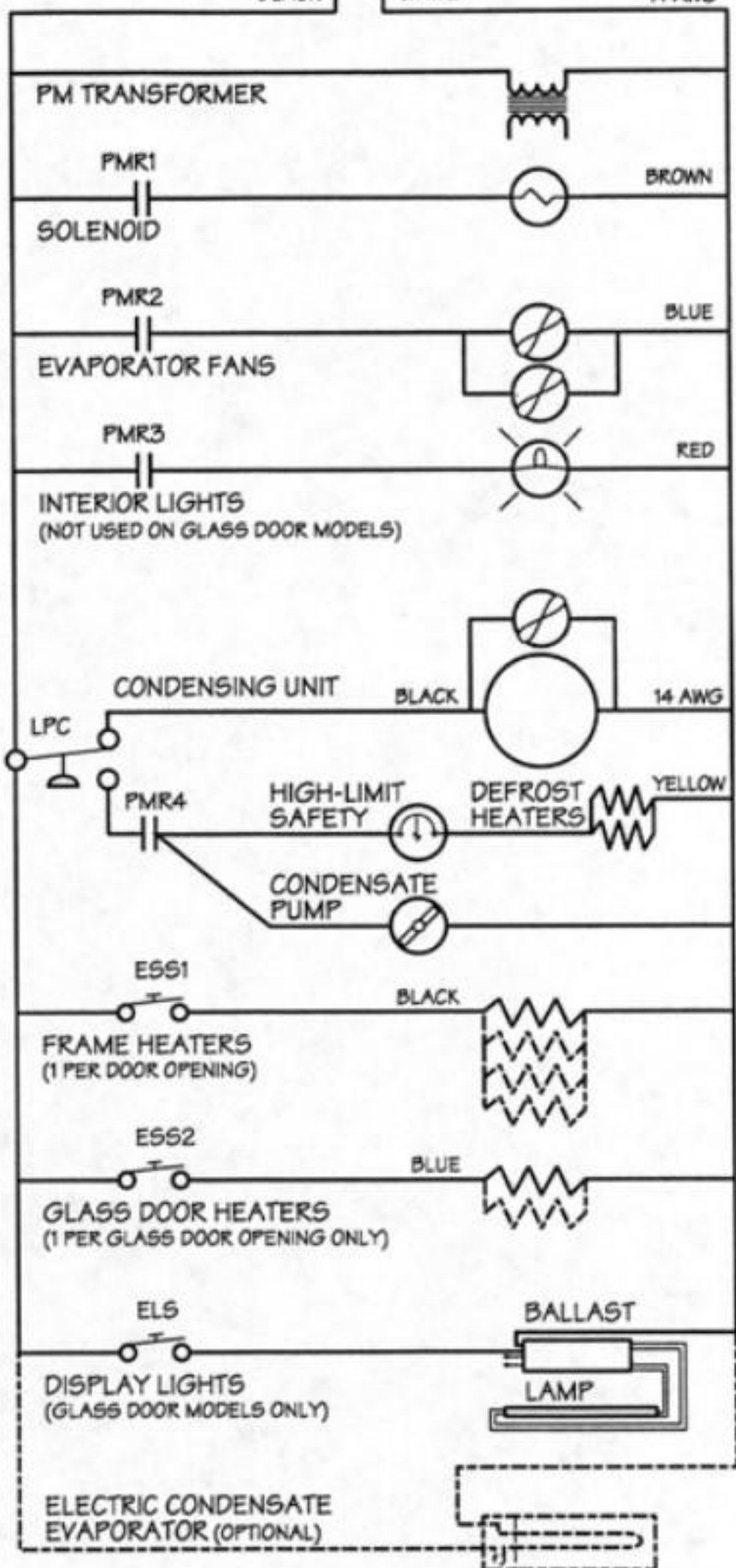


ALL WIRING AT LEAST 18 AWG UNLESS
OTHERWISE SPECIFIED

WIRING
DIAGRAM FOR
115V/60Hz/1Ø
SPEC LINE
FREEZERS

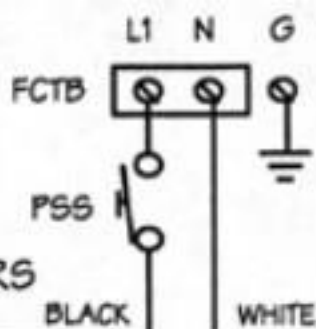


SLF 29-S HAS
5-15P SUPPLY
CORD; SLF 29-G
AND SLF 56-S
HAVE 5-20 P
SUPPLY CORDS

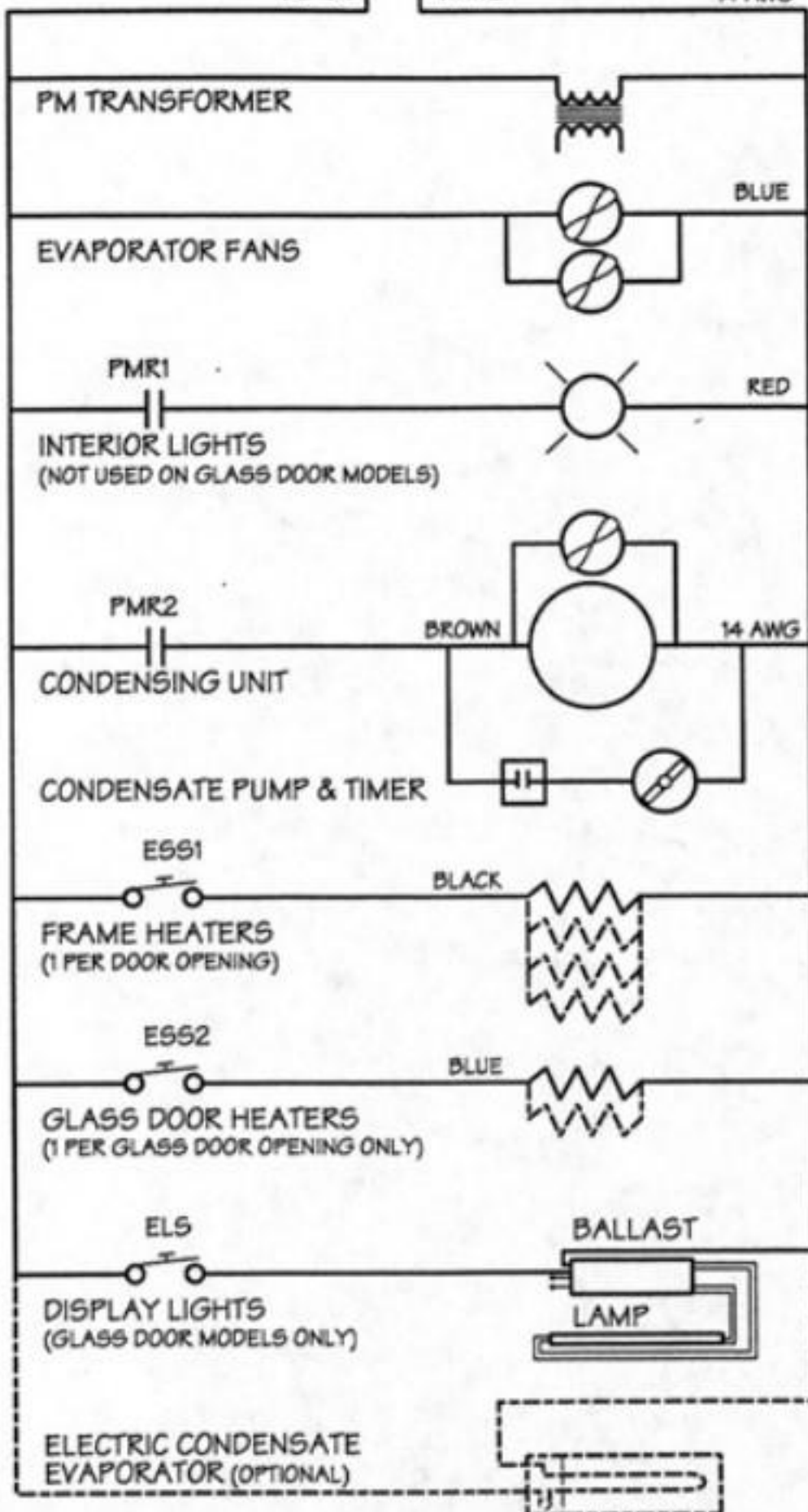


ALL WIRING AT LEAST 18 AWG UNLESS
OTHERWISE SPECIFIED

WIRING
DIAGRAM FOR
115V/60Hz/1Ø
SPEC LINE
REFRIGERATORS



NEMA 5-15P SUPPLY
CORD PROVIDED ON
SELF-CONTAINED
MODELS; REMOTE
MODELS MUST BE
HARD-WIRED



ALL WIRING AT LEAST 18 AWG UNLESS
OTHERWISE SPECIFIED