

Drop Ins

**N8000, N8000-R, N8100B, N8100-BR, 8100-EF,
N8100-FA, N8200, N8200-ST, N8200G, N8600,
N8700-D, N8700-DESP, N8700-R, N8800**

Parts List

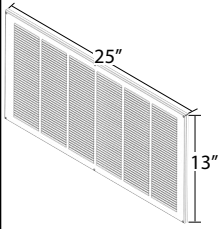
Contents

Cap Tube Chart - R134A Refrigerant.....	2
8000 Series - Miscellaneous Parts.....	2
N8700-DESP - Common Components.....	2
N8100-FA - Common Components.....	3
Condensing Unit Assembly, 115V, 1/5 HP, R134A Narrow.....	4
Condensing Unit Assembly, 115V, 1/5 HP, R404A Narrow.....	4
Condensing Unit Assembly, 230V, 1/5 HP, R404A, Narrow.....	5
Condensing Unit Assembly, 1/4 HP, R404a Low Temp.....	6
Condensing Unit Assembly, 1/4 & 1/3 HP, R134A Narrow.....	7
Condensing Unit Assembly, 1/4 & 1/3 HP, R404A Narrow.....	8
Condensing Unit Assembly, 1/3 HP, R404a Low Temp.....	9
Condensing Unit Assembly, 1/2 HP, R404a Low Temp.....	10
Condensing Unit Assembly, 1/2 HP, R404A Mid Temp.....	11
Condensing Unit Assembly, 3/4 HP, R404A.....	12
Food Well Assembly With Infinite Control.....	13
Food Well Assembly With Thermostat control.....	14
Food Well Assembly With Thermostat Control.....	15

Cap Tube Chart - R134A Refrigerant

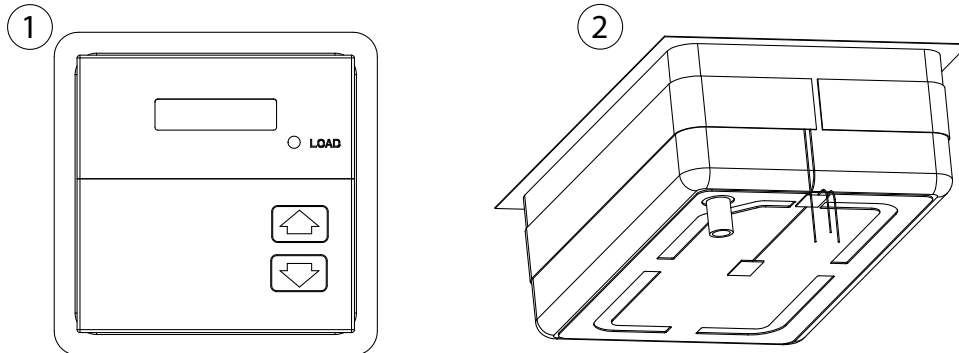
Model Number	Cap Tube Size/Length
N8118B	.036ID x 72"
N8130B	.036ID x 72"
N8143B	.036ID x 72"
N8144-BR	.036ID x 72"
N8146NB	.042ID x 120"
N8156B	.042ID x 120"
N8159-BR	.036ID x 72"
N8168NB	.042ID x 120"
N8169B	.042ID x 120"
N8176-BR	.042ID x 120"
N8181B	.054ID x 110"
N8194-BR	.042ID x 120"

8000 Series - Miscellaneous Parts

Description	Part Number	Drawing
Divider bar, 2.00" x 20.93"	265-AXE-0000	
Divider bar, 13.00" x .90"	243-ALS-0032	
Divider bar, 21.00" x .90"	243-AB0-0001	
Line Filter, Cold Units	2190168	
Line Filter, Heated Units	2195068	
Plastic drain	3234242	
Trim gasket (sold by foot)	1701273	
Louver (Cutout dimension is 11" x 22" (28cm x 56cm))	359-411-0003	

N8700-DESP - Common Components

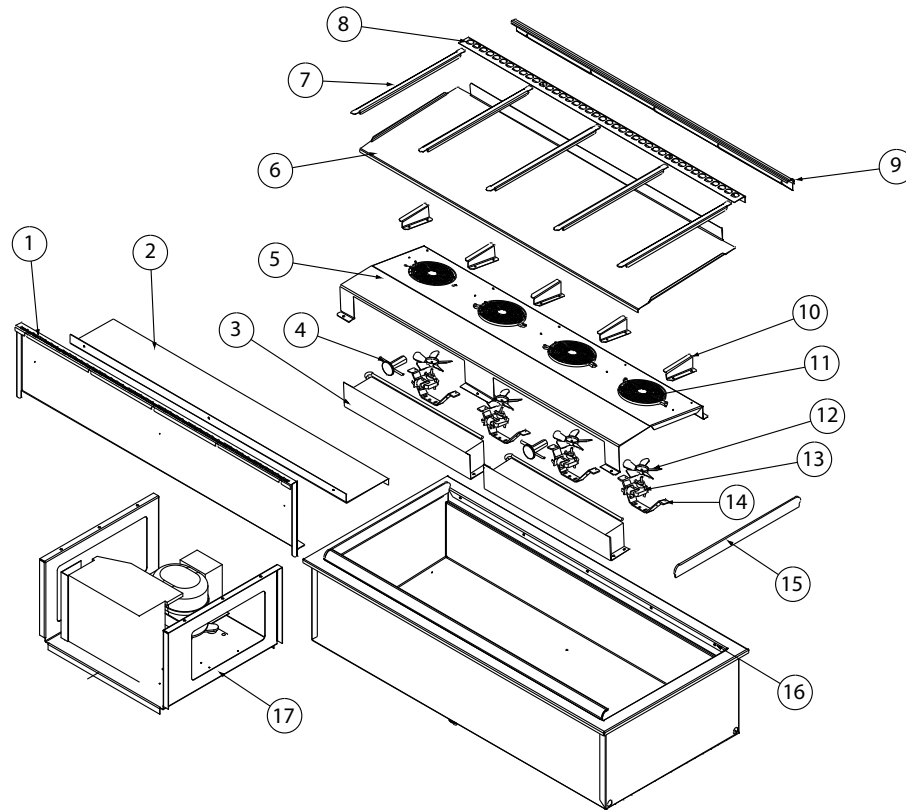
Common and 220V parts used in export series N8700-DESP-E.



Key	Description	Part Number	Note
1	Control, 500W Food Well	2195319	
2	Food Well/Heatpad, 208V-500W	3234798	[A]
2	Food Well/Heatpad, 240V-500W	3234950	[A]
	Food Well/Heatpad, 208V-500W, Without Drain	3234951	[A]

NOTE: [A] When replacing the well not to apply pressure directly to the pad.

N8100-FA - Common Components

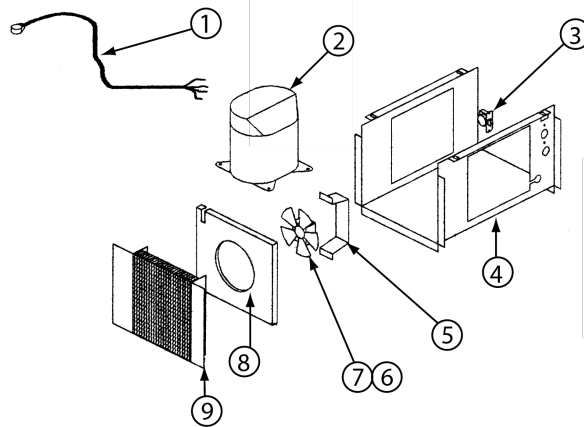


Key	Description	Part Number Per Model				
		N8131-FA 2-PAN	N8144-FA 3-PAN	N8157-FA 4-PAN	N8169-FA 5-PAN	N8182-FA 6-PAN
1	Upright diffuser	226-0V3-0030	226-0V3-0031	226-0V3-0032	226-0V3-0033	226-0V3-0034
2	Air deflector	226-A9L-0030	226-A9L-0031	226-A9L-0032	226-A9L-0033	226-A9L-0034
3	Coil	3510086	3510086	3510086	3510086	3510086
4	Expansion valve	3516273	3516273	3516273	3516273	3516273
5	Coil assembly cover	019-0V0-0030	019-0V0-0038	019-0V0-0032	019-0V0-0033	019-0V0-0034
6	Fan assembly cover	226-0V1-0030	226-0V1-0031	226-0V1-0032	226-0V1-0033	226-0V1-0034
7	Adapter bar	243-AB0-0001	243-AB0-0001	243-AB0-0001	243-AB0-0001	243-AB0-0001
8	Perforated pan clip	270-0V5-0030	270-0V5-0031	270-0V5-0032	270-0V5-0033	270-0V5-0034
9	Black airflow extrusion	316-991-0030	316-991-0031	316-991-0032	316-991-0033	316-991-0034
10	Cover support bracket	226-0V2-0030	226-0V2-0030	226-0V2-0030	226-0V2-0030	226-0V2-0030
11	Fan guard	3516173	3516173	3516173	3516173	3516173
12	Blade, fan, 5.56, CCW, clear	3516172	3516172	3516172	3516172	3516172
13	Fan motor	2162691	2162691	2162691	2162691	2162691
14	Fan bracket	031-264-0000	031-264-0000	031-264-0000	031-264-0000	031-264-0000
15	Plexiglas end cap	091-0XL-0030	091-0XL-0030	091-0XL-0030	091-0XL-0030	091-0XL-0030
16	S/S thumb screw	9321541	9321541	9321541	9321541	9321541
17	Cond. Unit	000-BN5-006A	000-BN5-0035	000-BN5-0035	000-BN5-0036	000-BN5-0036
	Timer	2194345	2194345	2194345	2194345	2194345
	Pressure Control	2193927	2193927	2193927	2193927	2193927
	Rocker switch	2190154	2190154	2190154	2190154	2190154

Condensing Unit Assembly, 115V, 1/5 HP, R134A Narrow

Used in production prior to 7-11-16.

Used in models N8118B, N8130B, N8143B, N8144-BR, N8146NB and N8168NB.

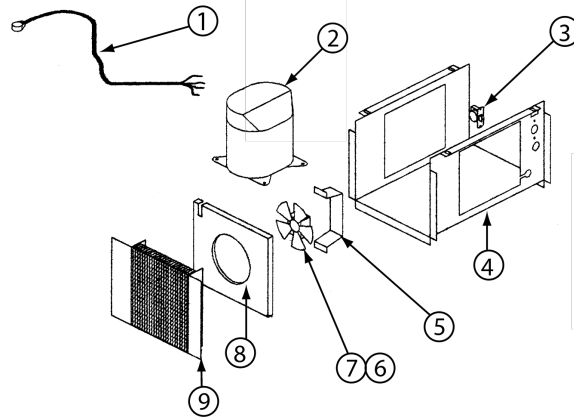


Key	Description	Part Number
1	Harness, wire, power cord, 8100	2183300
2	Compressor, 1/5 h.p.,115v/60hz	3526694
3	Cold Control	3516054
4	Compressor stand	024-ADB-0040
5	Bracket, fan motor, blower coil	031-264-0000
6	Blade, fan, 5.56, CCW, clear	3516172
7	Motor, fan, 115v, 50/60, UPPCO/bay	2162691
8	Fan baffle	026-ANM-0030
9	Coil, condenser, 9 x 10, R-134a, 8100	3516067
	Filter dryer, double 1/4"OD inlet	3516230

Condensing Unit Assembly, 115V, 1/5 HP, R404A Narrow

Used in production after 7-11-16.

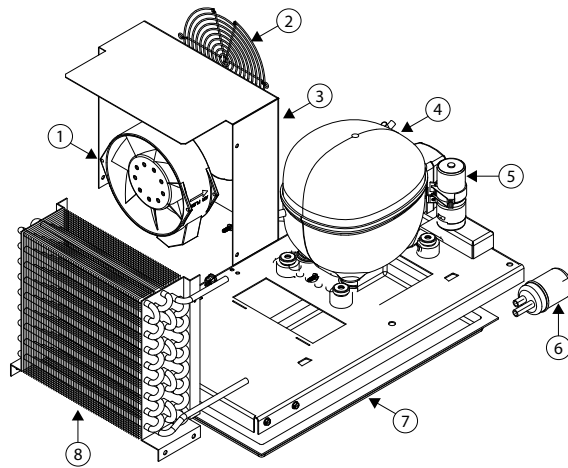
Used in models N8118B, N8130B, N8143B, N8144-BR and N8146NB.



Key	Description	Part Number
1	Harness, wire, power cord, 8100	2183300
2	Compressor, R404A, 1/5 h.p.,115v/60hz	3526996
3	Cold Control	3516054
4	Compressor stand	024-ADB-0046
5	Bracket, fan motor, blower coil	031-264-0000
6	Blade, fan, 5.56, CCW, clear	3516172
7	Motor, fan, 115v, 50/60, UPPCO/bay	2162691
8	Fan baffle	026-ANM-0030
9	Coil, condenser, 9 x 10, R-134a, 8100	3516067
	Filter dryer, double 1/4"OD inlet	3516230

Condensing Unit Assembly, 230V, 1/5 HP, R404A, Narrow

Used in export models N8118B-E, N8130B-E, N8143B-E, N8146NB-E, N8168NB-E

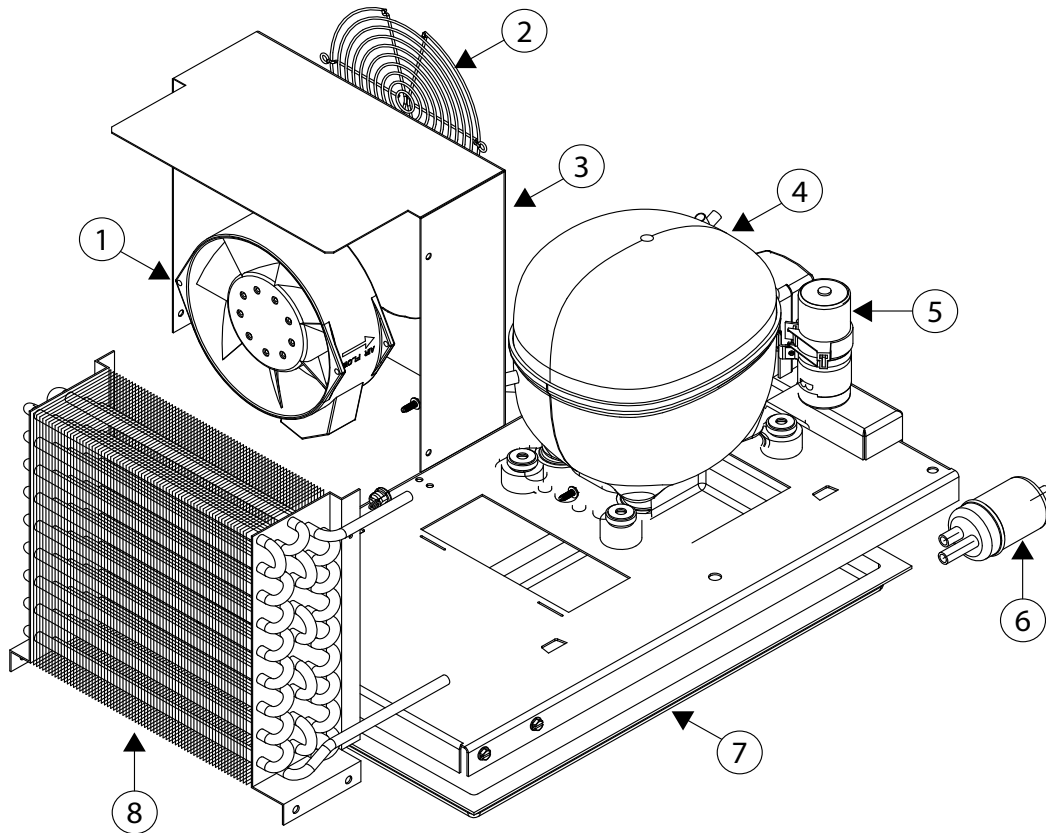


Key	Description	Part Number
-	Assembly, 1/5 Condensing Unit	000-BN5-003I
1	Fan, Axial, 5.5", 230V	2160029
2	Guard, Fan, 6.0"	2160030
3	Shroud, Condenser Coil	026-C58-0037
4	Compressor, 1/5HP, 220/50, TL4CL	3526994
5	Start Capacitor	3516451
	Compressor, Relay	3516452
6	Filter Dryer	3516322
7	Condensate Pan	039-231-0030
8	Condenser Coil	3516454
-	15 Amp switch, 220V	2194400

Condensing Unit Assembly, 1/4 HP, R404a Low Temp

Used in series 8100-EFN, series N8200-ST, models 8118-EF, 8132-EF, 8145-EF, 8159-EF, 8172-EF, models N8131-FA, N8231, N8231G, N8245, N8245G, N8259, N8273, N8630, N8643, N8656 and N8669.

Common and 220V parts used in export series 8100-EF-E, series 8100-EFN-E, models N8231-E, N8231G-E, N8245-E, N8245G-E, N8259-E and N8273-E.



Key	Description	Part Number
	Condensing Unit Assembly, 115V	000-BN5-006A
	Condensing Unit Assembly, 220V/50Hz	000-BN5-006D
1	Blade, Fan, 7.25	3516480
	Motor, Fan, 9W, 115V, CW	2162717
	Motor, Fan, 9W, 220V, Unit Bearing	2162720
2	Guard, Fan, 7.25	2160020
3	Shroud, Condenser Coil	026-C58-0037
4	Compressor, NF5.5CLX, 115V/60Hz	3526999
	Compressor 220/50Hz	3527013
5	Capacitor, Start 280MFD	2194787
	Compressor relay and overload, NF5.5CLX	3516444
6	Filter-dryer, (2) inlet .25"	3516322
7	Pan, condensate	075-231-0030
8	Condenser Coil	3516454

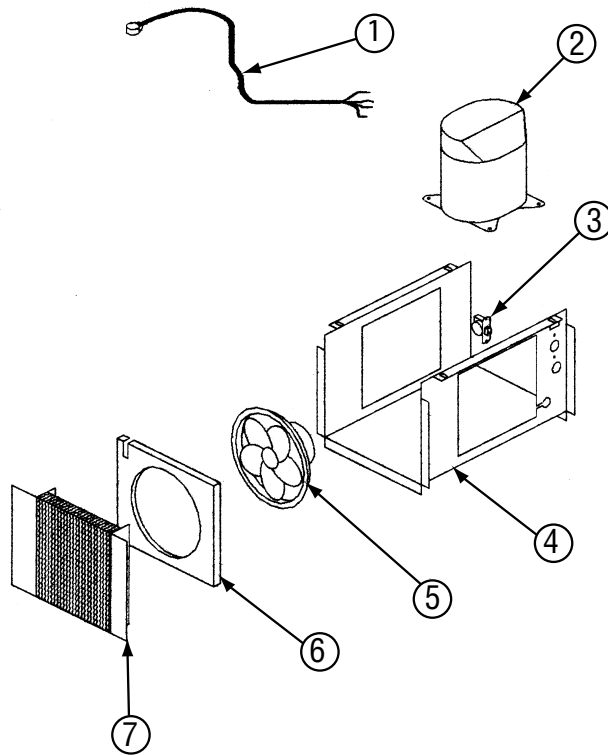
Miscellaneous Parts Not Included in Condensing Unit

15 Amp switch, 120V	2194099
15 Amp switch, 220V	2194400
Cord/plug assembly, 120V	2183348
Cord/plug assembly, 220V	Varies per destination
Expansion valve, 120V	3516225
Expansion valve, 220V	MCP00140
Clip, sensing bulb	3516595

Condensing Unit Assembly, 1/4 & 1/3 HP, R134A Narrow

Common and 220V parts used in export models N8156B-E and N8169B-E.

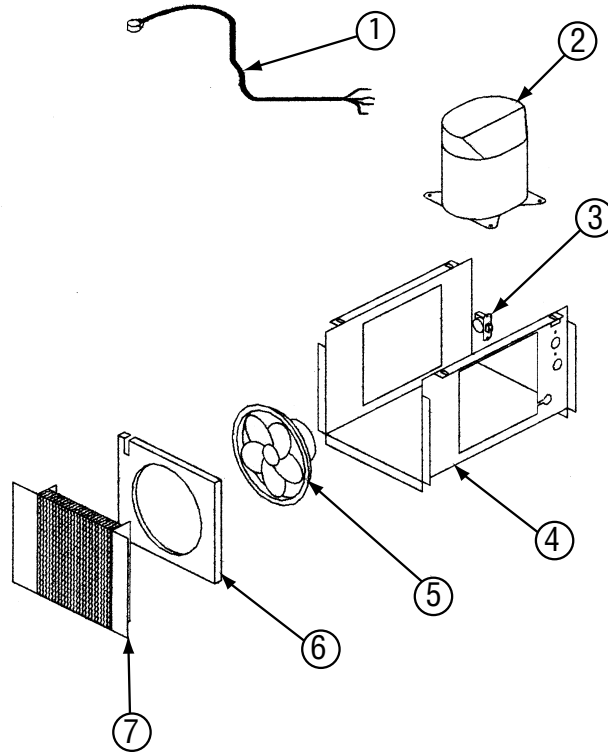
Used in 115V production prior to 7-11-16. Used in models N8156B, N8159-BR, N8169B, N8176-BR, N8181B and N8194-BR.



Key	Description	Part Number
1	Harness, wire, power cord	2183300
2	Compressor, 1/4 h.p., 115v/60hz, N8156B, N8159-BR, N8169B, N8176-BR	3526695
	Compressor, 1/4 h.p., 220v/50hz	3526719
	Compressor, 1/3 h.p., 115/60, R134A, N8181B, N8194-BR	3526703
3	Cold control	3516054
4	Stand, compressor	024-ADB-0041
5	Fan assembly, condenser, 8" blade, 115V	2194013
	Fan assembly, condenser, 8" blade, 220V	2162689
6	Baffle, fan	026-ANM-0033
7	Coil, condenser, 9x10, R134A	3516067
	15 Amp switch, 220V	2194400
	Filter dryer, double 1/4"OD inlet	3516230

Condensing Unit Assembly, 1/4 & 1/3 HP, R404A Narrow

Used in production after 7-11-16. Used in models N8156B, N8159-BR, N8168NB, N8169B, N8176-BR, N8181B and N8194-BR.

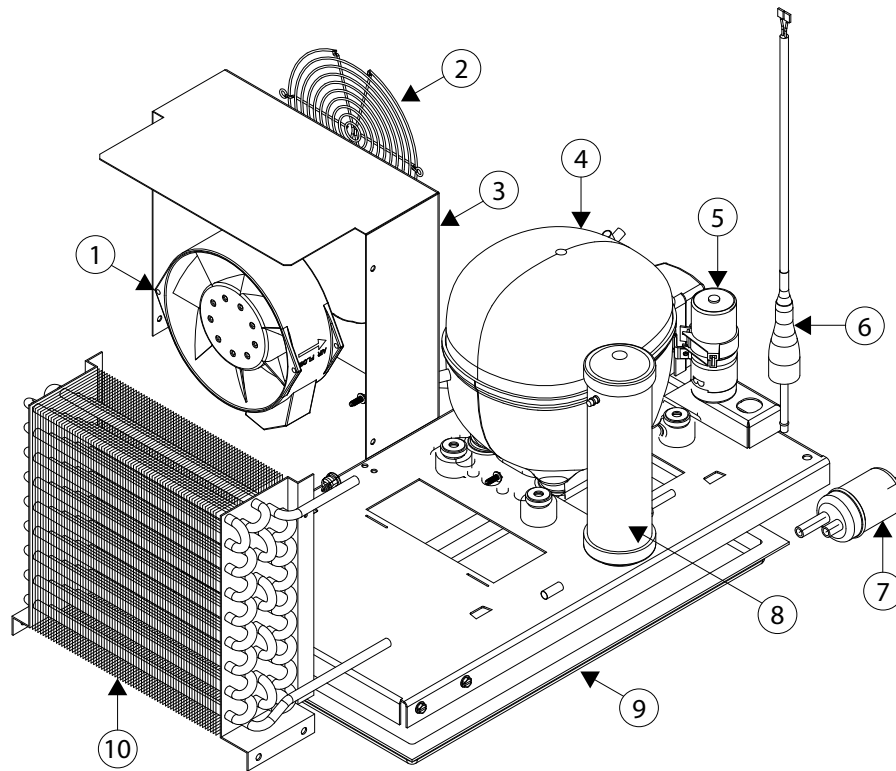


Key	Description	Part Number
1	Harness, wire, power cord	2183300
2	Compressor, 1/4 h.p., R404A, 115v/60hz, N8156B, N8159-BR, N8168NB, N8169B	3527000
	Compressor, 1/3 h.p., 115/60hz, N8176-BR, N8181B, N8194-BR	3526703
3	Cold control	3516054
4	Stand, compressor	024-ADB-0046
5	Blade, Fan, 5.56", CCW, Clear	3516172
	Motor, Fan, 120V, 50/60	2162691
6	Baffle, fan	026-ANM-0030
7	Coil, condenser, 9x10, R134A	3516067
	Filter dryer, double 1/4"OD inlet	3516230

Condensing Unit Assembly, 1/3 HP, R404a Low Temp

Used in models 8186-EF, N8259G, N8287 and N8681.

Common and 220V parts used in export models N8259G-E and N8287-E.



Key	Description	Part Number	Note
	Condensing Unit Assembly, 115V	000-BN5-006B	
	Condensing Unit Assembly, 220V/50Hz	000-BN5-006C	
1	Blade, Fan, 7.25	3516480	
	Motor, Fan, 9W, 115V, CW	2162717	
	Motor, Fan, 9W, 230V, Unit Bearing	2162720	
2	Guard, Fan, 7.25	2160020	
3	Shroud, Condenser Coil	026-C58-0037	
4	Compressor, NF7.0. 115V/60Hz	3527000	
	Compressor, 220V/50Hz	3527012	
5	Capacitor, Start 320MFD	2194788	
	Compressor relay and overload, NF7CLX	3516438	
6	High pressure switch	3516324	
7	Filter-dryer, (2) inlet .25"	3516322	
8	Receiver tank	3516658	[A]
9	Pan, condensate	075-231-0030	
10	Condenser Coil	3516454	

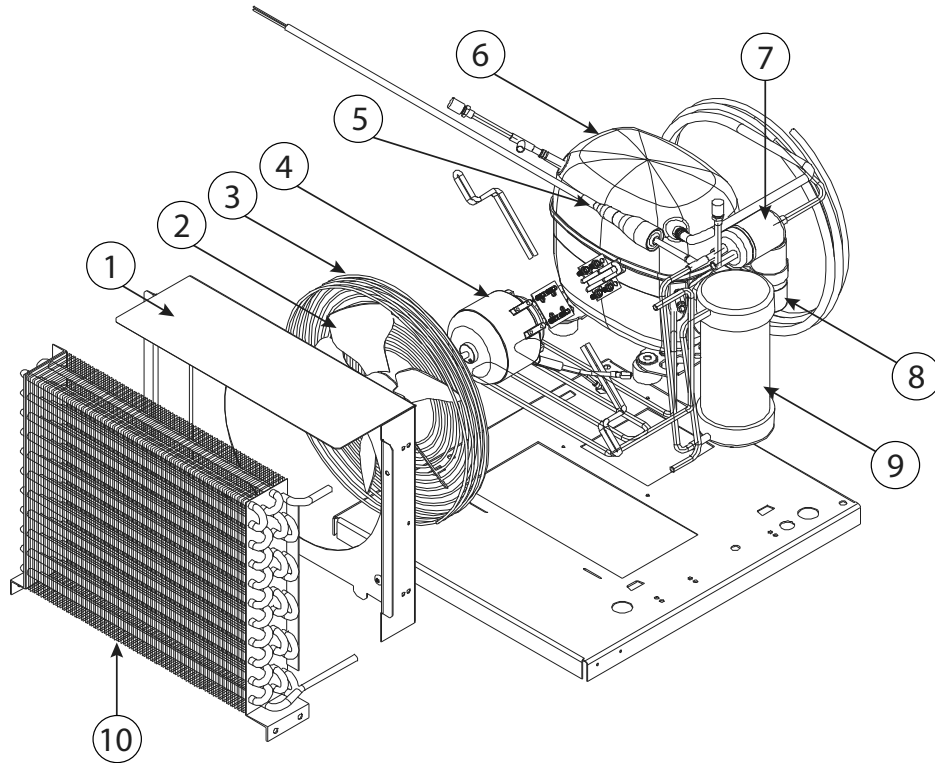
NOTE: [A] Re-piping may be required for installation.

Miscellaneous Parts Not Included in Condensing Unit

15 Amp switch, 120V	2194099
15 Amp switch, 220V	2194400
Cord/plug assembly, 120V	2183348
Cord/plug assembly, 220V	Varies per destination
Expansion valve, 120V	3516225
Expansion valve, 220V	MCP00140

Condensing Unit Assembly, 1/2 HP, R404a Low Temp

Used in model N8273G.



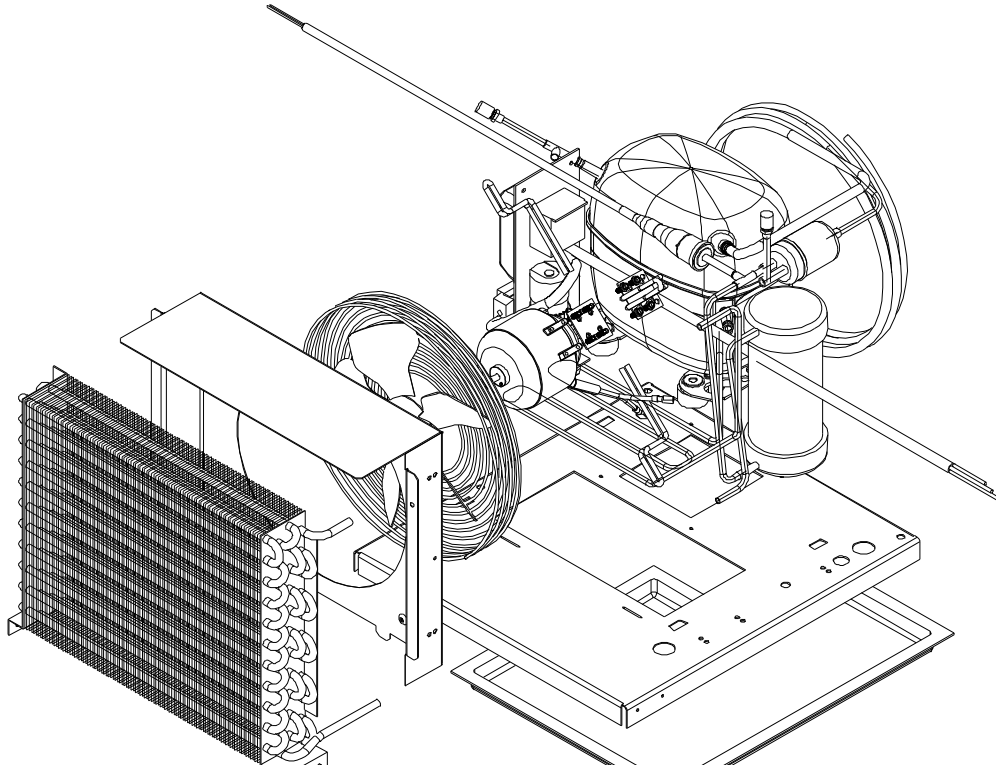
Key	Description	Part Number
	Condensing Unit Assembly, 115V	000-BN5-0033
	Condensing Unit Assembly, 220V/50Hz	000-BN5-003N
1	Shroud, 1/2 HP Condenser Coil	026-C58-0031
2	Blade, Fan, 9.00", 5-pedal	3516554
3	Guard, Fan, Condenser, Upright	2160019
4	Motor, Fan, 16W, 115V	2162716
	Motor, Fan 16W, 230V	2162721
5	High Pressure Switch	3516324
6	Compressor, SC12CLX.2,115V/60Hz	3527001
	Compressor, 220V/50Hz	3527011
7	Filter-dryer, (2) inlet .25"	3516322
8	Capacitor, Start 240MFD	2194789
	Compressor relay, SC12CLX.2	3516441
9	Receiver, used on models built after 9-9-15	3516659
	Receiver, used on models built before 9-9-15	3516459
10	Condenser Coil	3516455

Miscellaneous Parts Not Included in Condensing Unit

Expansion valve	3516225
15 Amp switch, 120V	2194099
15 Amp switch, 220V	2194400
Cord/plug assembly	2183348

Condensing Unit Assembly, 1/2 HP, R404A Mid Temp

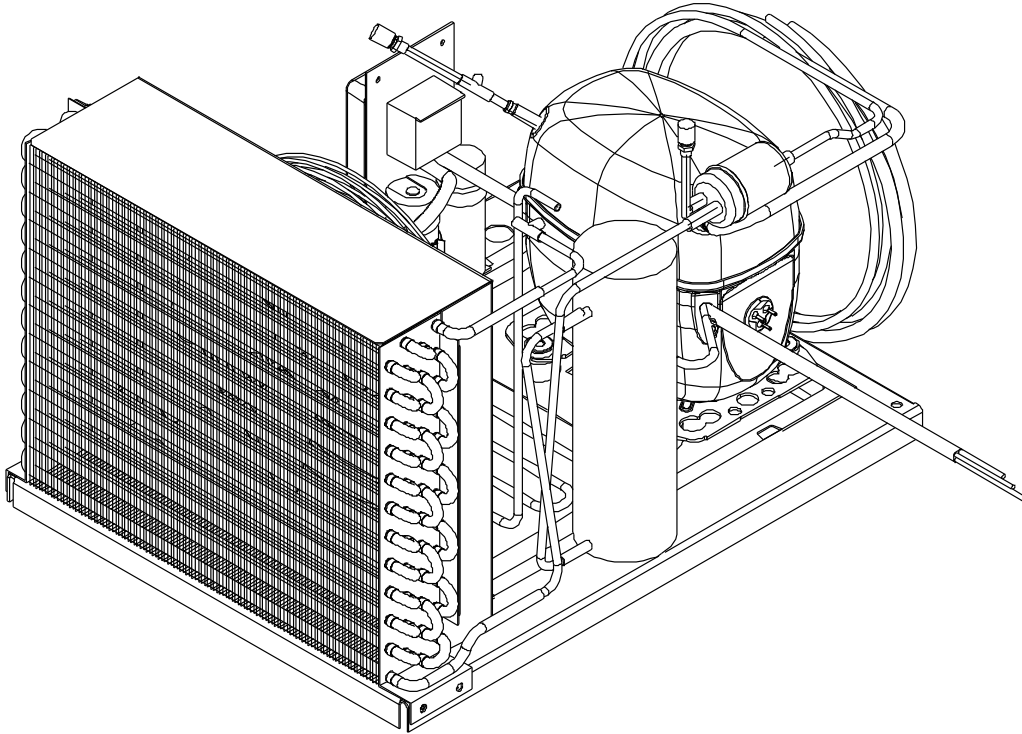
Used in models N8144-FA and N8157-FA.



Key	Description	Part Number
	Condensing Unit Assembly	000-BN5-0035
1	Shroud, 1/2 HP condenser coil	026-C58-0031
2	Blade, fan 9.00", 5 pedal	3516554
3	Guard, fan, condenser, upright	2160019
4	Motor, fan, 16W, 115V	2162716
5	Capacitor, start, assembly	3516462
6	Compressor, SC12MLX, 115V/60Hz	3527026
7	High pressure switch	3516331
8	Filter dryer, (2) inlet, .25"	3516322
9	Receiver, used on models built after 9-9-15	3516659
9	Receiver, used on models built before 9-9-15	3516459
10	Pan, condensate	075-231-0031
11	Coil, 1/2 HP condensing	3516455

Condensing Unit Assembly, 3/4 HP, R404A

Used in models N8169-FA and N8182-FA.



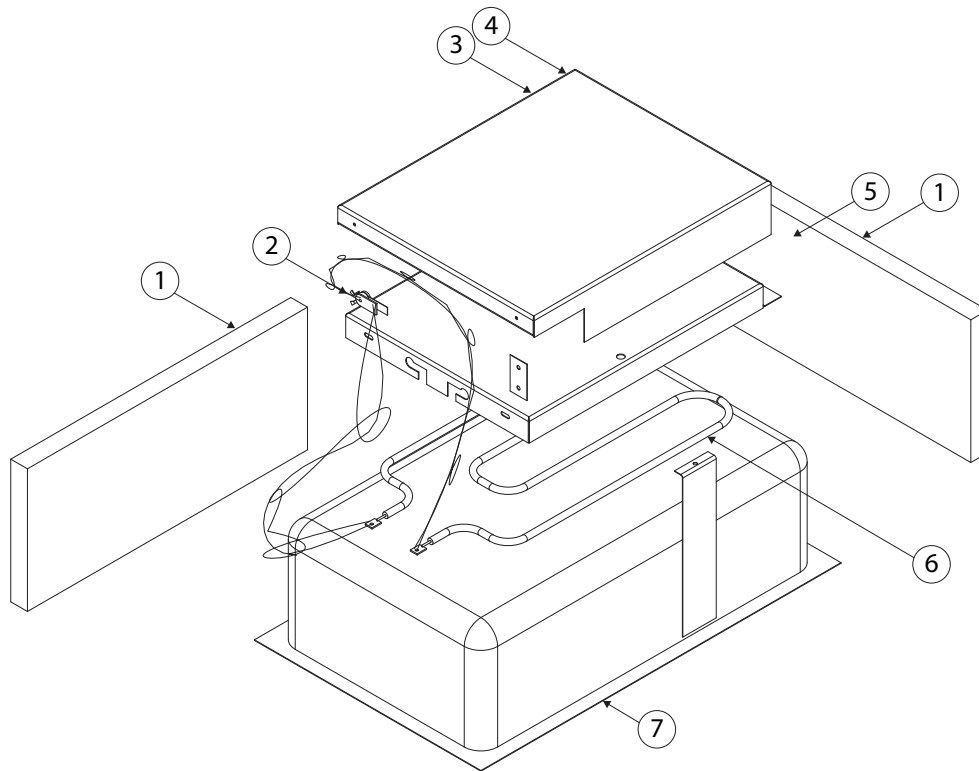
Key	Description	Part Number	Note
	Condensing Unit Assembly	000-BN5-0036	
1	Shroud, 3/4 HP condenser coil	026-C58-0032	
2	Guard, fan, condenser, upright	2160019	
3	Capacitor, start, run, assembly	3516442	
4	Compressor, SC18MLX, 115V/60Hz	3527021	
5	Filter dryer, (2) inlet, .25"	3516322	
6	Tank, receiver	3516657	[A]
7	Coil, condenser, 3/4 HP	3516456	
	Pan, condensate	075-231-0031	
	Blade, fan 25°, 10", CW, upright	3516433	
	Motor, fan, 16W, 115V	2162716	

NOTE: [A] Re-piping may be required for installation.

Food Well Assembly With Infinite Control

Used in models N8700D, N8700N, N8700ND and N8700R.

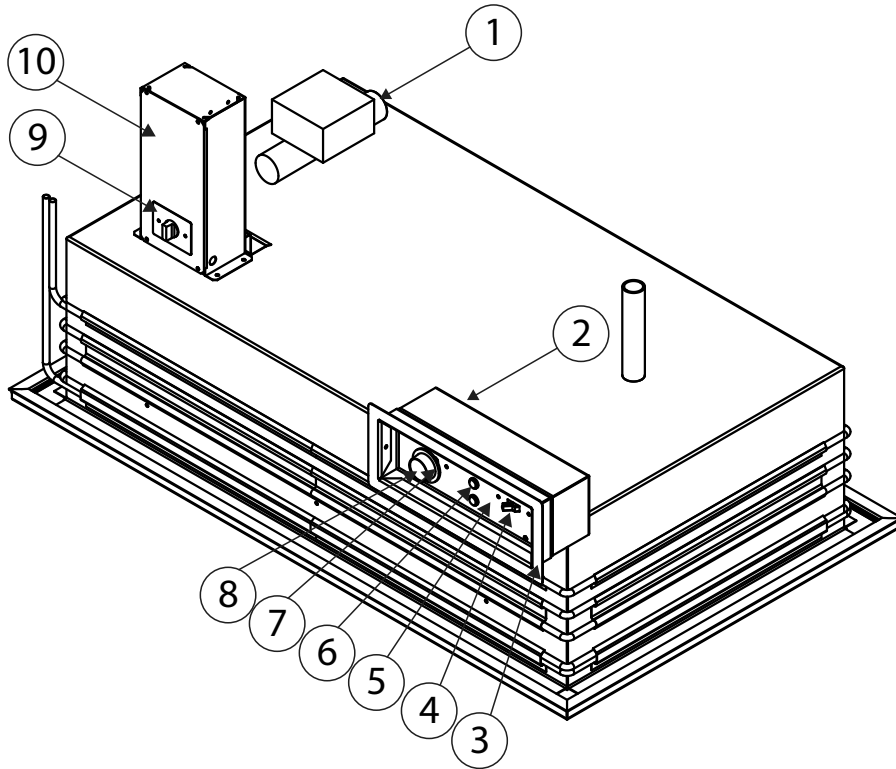
Common and 220V parts used in export series N8700D-E.



Key	Description	Part Number
1	Insulation, fiberglass, 9" x 48"	3434703
2	Thermostat, non-adjustable, 480°F	2194335
3	Bottom cover	026-103-0002
4	Insulation, blanket, 24" wide	3434663
5	Plate, deflector, DFW, with or without drain	026-061-0001
6	Element, heating, 208/230v, 1000/1222w	2194007
	Element, heating, 120v	2194006
7	Well, hot food, with drain	000-BQ9-Z0001
	Well, hot food, without drain	000-BQ9-Z0000
	Knob, infinite control	3234557
	Control, infinite, 240v, 14a	2194110KT
	Control, infinite, 120v	2194107KT

Food Well Assembly With Thermostat control

Used in model N8600.

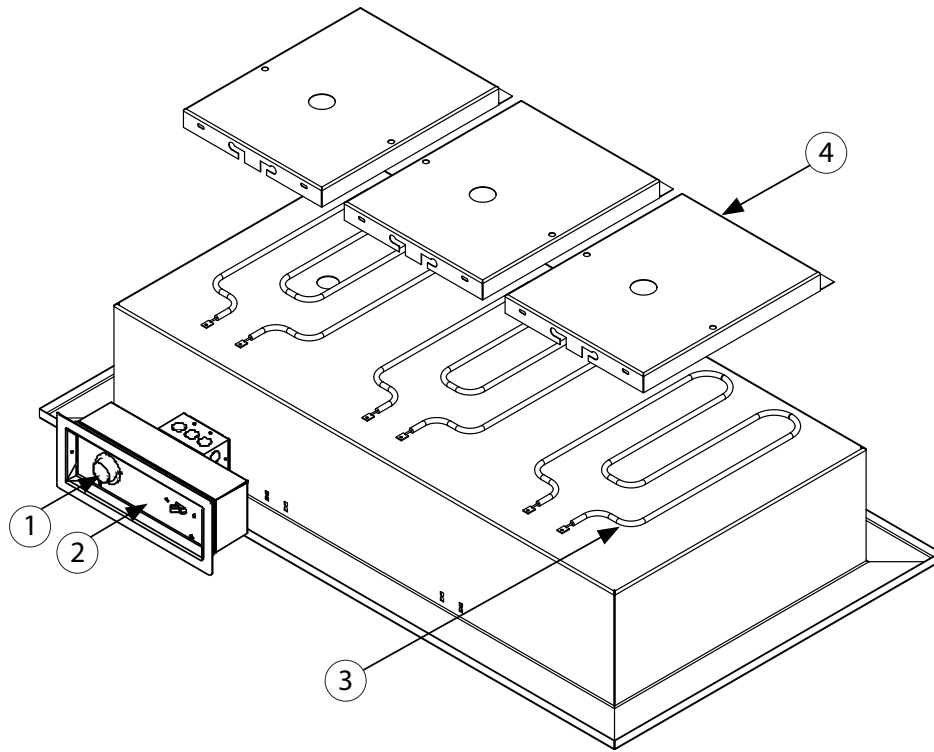


Key	Description	Part Number
1	Immersion heater 120V, 1Ph	2194075
	Immersion heater 240V 1Ph 5KW	2193974
2	Box, control, galv, 8600 series	026-AO6-0041
3	Front, collar, mounting, 8600	372-ANQ-003D
4	Switch, 3 position, 30Amp	2193979
5	Cover, control box, 8700 series	372-ANS-0001
6	Light, pilot, 125V, red	2194190
7	Thermostat, electric (heated)	2194202
8	Knob, thermostat control (heated)	3234556
9	Contactur, 2 Pole, 120V	2194974
10	Temperature control (cold)	3516054

Food Well Assembly With Thermostat Control

Used in models N8831, N8859, N8873 and N8887.

Common and 220V parts used in export series N8800-E.



Key	Description	Part Number
1	Knob, thermostat control	3234556
2	Thermostat 30A, N8873, N8887	2193984
	Thermostat, 25A, N8831, N8845, N8859	2194012
3	Element, heating, 208/230v, 1000/1222w	2194007
	Element, heating, 120v, 1000w	2194006
4	Plate, deflector, DFW, with drain	026-061-0001
	Insulation, fiberglass, 1" thick	3434704
	Insulation, fiberfrax, 1" thick	3434664



DELFIELD
980 SOUTH ISABELLA ROAD, MOUNT PLEASANT, MI 48858

800-733-8821
WWW.DELFIELD.COM



WWW.WELBILT.COM

Welbilt provides the world's top chefs, and premier chain operators or growing independents with industry leading equipment and solutions. Our cutting-edge designs and lean manufacturing tactics are powered by deep knowledge, operator insights, and culinary expertise. All of our products are backed by KitchenCare® – our aftermarket, repair, and parts service.

- ▶ CLEVELAND
- ▶ CONVOTHERM®
- ▶ DELFIELD®
- ▶ FITKITCHEN™
- ▶ FRYMASTER®
- ▶ GARLAND
- ▶ KOLPAK®
- ▶ LINCOLN
- ▶ MANITOWOC®
- ▶ MERCO®
- ▶ MERRYCHEF®
- ▶ MULTIPLEX®